



US00D846007S

(12) **United States Design Patent** (10) **Patent No.:** **US D846,007 S**
Kita (45) **Date of Patent:** **** Apr. 16, 2019**

(54) **THREAD GUIDE FOR EMBROIDERY SEWING MACHINE**

D306,601 S 3/1990 Uchida
D307,024 S 4/1990 Itoh et al.
4,960,062 A 10/1990 Hanyu et al.
D321,518 S 11/1991 Uchida
D321,694 S 11/1991 Uchida
5,211,122 A 5/1993 Lin
D338,022 S 8/1993 Takada et al.
(Continued)

(71) Applicant: **TOKAI KOGYO MISHIN KABUSHIKI KAISHA**, Kasugai-shi (JP)

(72) Inventor: **Toshiyuki Kita**, Nishinomiya (JP)

(73) Assignee: **TOKAI KOGYO MISHIN KABUSHIKI KAISHA**, Kasugai-Shi (JP)

(**) Term: **15 Years**

(21) Appl. No.: **29/617,954**

(22) Filed: **Sep. 18, 2017**

(30) **Foreign Application Priority Data**

Mar. 22, 2017 (JP) 2017-005766

(51) **LOC (11) Cl.** **15-06**

(52) **U.S. Cl.**
USPC **D15/78**

(58) **Field of Classification Search**
USPC D15/66-78
CPC D05B 1/00-25/00
See application file for complete search history.

(56) **References Cited**

U.S. PATENT DOCUMENTS

2,940,685 A 6/1960 Glass
3,021,401 A 2/1962 Young
3,114,516 A * 12/1963 Comerio D05C 11/10
242/157 R
3,587,497 A 6/1971 Beazley
3,727,393 A 4/1973 Mikulecky et al.
4,407,461 A 10/1983 Tomisawa
4,735,161 A 4/1988 Brocklehurst
4,803,941 A * 2/1989 Schreiber D05C 11/10
112/163

OTHER PUBLICATIONS

Copending U.S. Appl. No. 29/617,944, filed Sep. 18, 2017.
(Continued)

Primary Examiner — Mitchell I. Siegel
(74) *Attorney, Agent, or Firm* — Rossi, Kimms & McDowell LLP

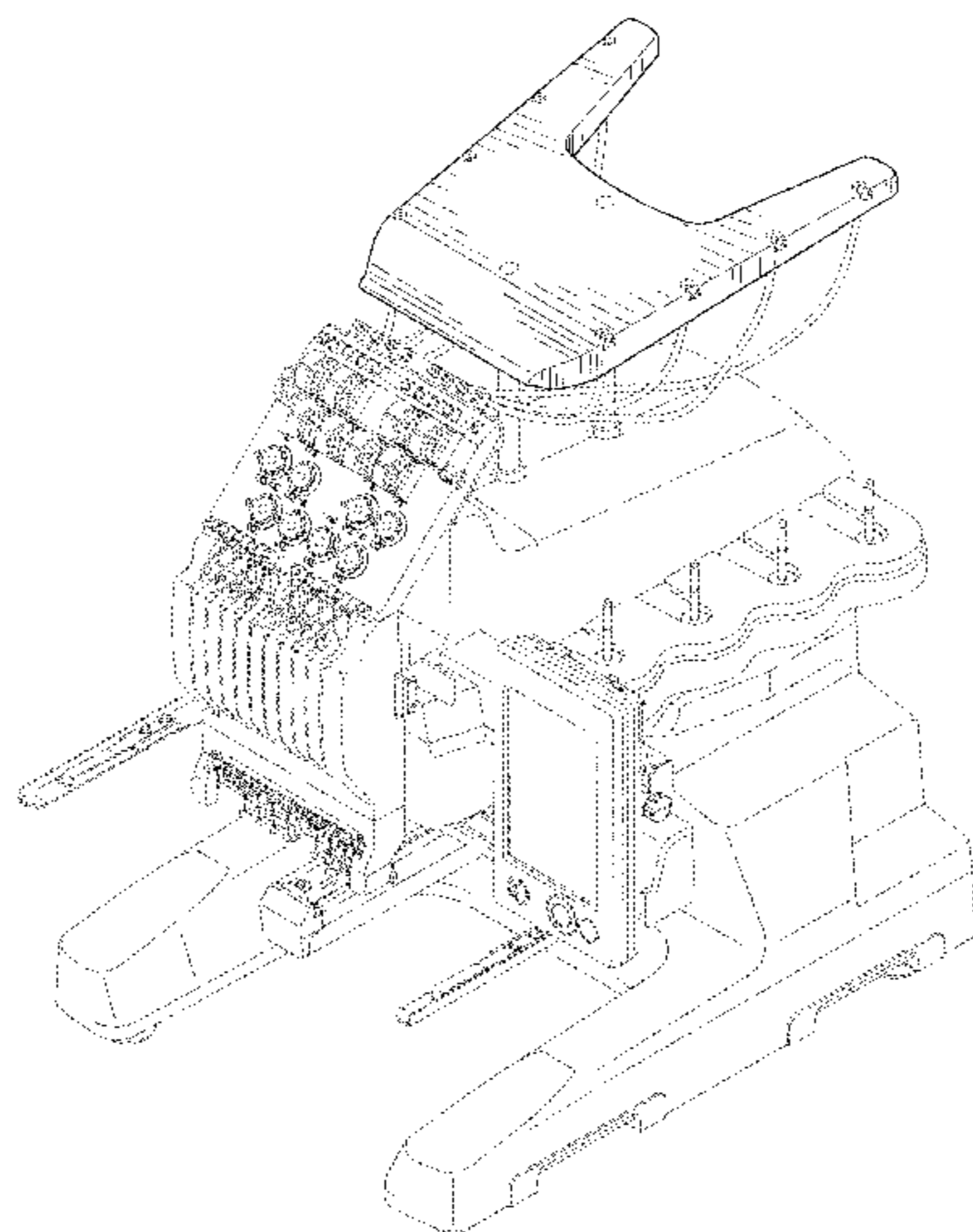
(57) **CLAIM**

I claim the ornamental design for a thread guide for an embroidery sewing machine, as shown and described.

DESCRIPTION

FIG. 1 is a perspective view of a thread guide, for an embroidery sewing machine shown;
FIG. 2 is a front elevational view thereof;
FIG. 3 is a rear elevational view thereof;
FIG. 4 is a top plan view thereof;
FIG. 5 is a right-side elevational view thereof; and,
FIG. 6 is a left-side elevational view thereof.
The broken lines showing the unclaimed portions of the embroidery sewing machine, (e.g., four generally elliptical thread-passing holes (illustrated in FIGS. 1, 2, 4, 5, and 6) on each of the left and right sides of the thread guide, and two generally circular mounting screw holes (illustrated in FIGS. 1, 2, and 4) located substantially centrally relative to the left and right sides of the thread guide), are for illustrative purposes and form no part of the claimed design.

1 Claim, 6 Drawing Sheets



(56)

References Cited

U.S. PATENT DOCUMENTS

5,347,942 A * 9/1994 Thomas B65H 49/16
112/302
5,471,941 A 12/1995 Sakuma
5,533,460 A 7/1996 Tseng
5,603,462 A * 2/1997 Conrad B65H 69/00
112/254
D392,294 S 3/1998 Kato et al.
D450,721 S 11/2001 Kawaguchi
6,325,006 B1 12/2001 Park
D462,368 S 9/2002 Kuroki
D465,793 S 11/2002 Takada et al.
D474,785 S * 5/2003 Carter D15/66
D478,337 S 8/2003 Kuroki
D478,916 S 8/2003 Kuroki
D482,702 S 11/2003 Kawaguchi
6,732,668 B2 * 5/2004 Zesch D05B 19/12
112/102.5
D491,201 S 6/2004 Suwa et al.
D492,702 S 7/2004 Suwa et al.
D521,534 S 5/2006 Kawaguchi
7,055,443 B2 * 6/2006 Goto D05B 19/12
112/102.5
D524,828 S 7/2006 Kuroki
7,114,455 B2 10/2006 Prufer et al.
7,204,137 B1 4/2007 Skalchunes

7,219,611 B1 * 5/2007 Troncoso D05B 43/00
112/302
D553,650 S 10/2007 Muto
D555,176 S 11/2007 Ogawa
D570,882 S 6/2008 Lee
D601,594 S 10/2009 Gustafsson
D632,706 S 2/2011 Hattori
7,949,421 B2 5/2011 Hayakawa et al.
D648,358 S 11/2011 Nonobe
D648,757 S 11/2011 Muto
D648,759 S * 11/2011 Fujihara D15/72
8,170,708 B2 * 5/2012 Goldman D05B 19/12
112/278
D700,634 S 3/2014 Saitou et al.
8,973,859 B2 * 3/2015 Troncoso D05B 43/00
242/129.72
9,346,650 B2 5/2016 Niizeki
10,000,871 B2 6/2018 Komada et al.
2010/0236463 A1 9/2010 Fujihara et al.

OTHER PUBLICATIONS

Copending U.S. Appl. No. 29/617,947, filed Sep. 18, 2017.
Notice of Allowance issued in U.S. Appl. No. 29/617,944 dated Jan. 10, 2019.
Notice of Allowance issued in U.S. Appl. No. 29/617,947 dated Jan. 10, 2019.

* cited by examiner

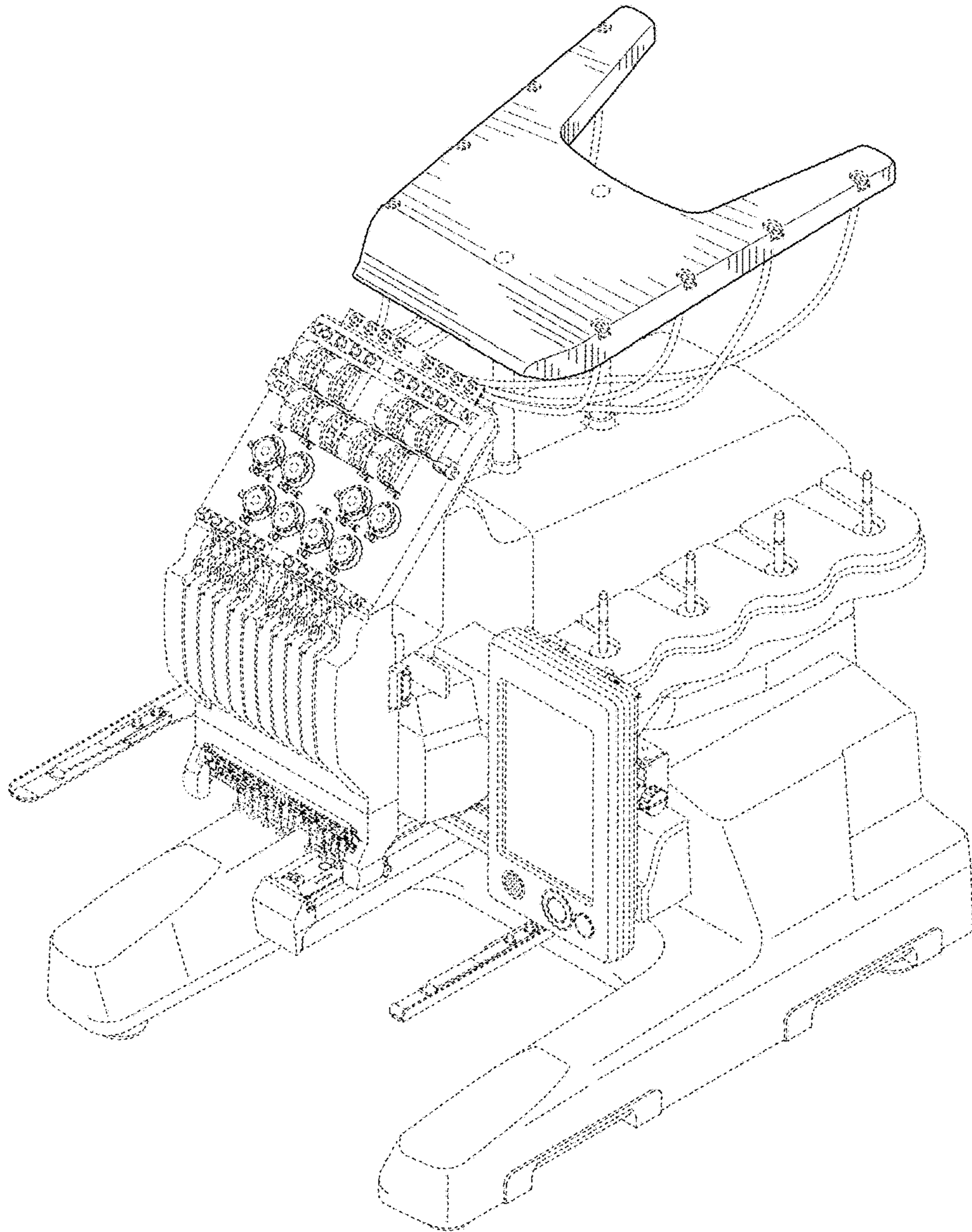


FIG. 1

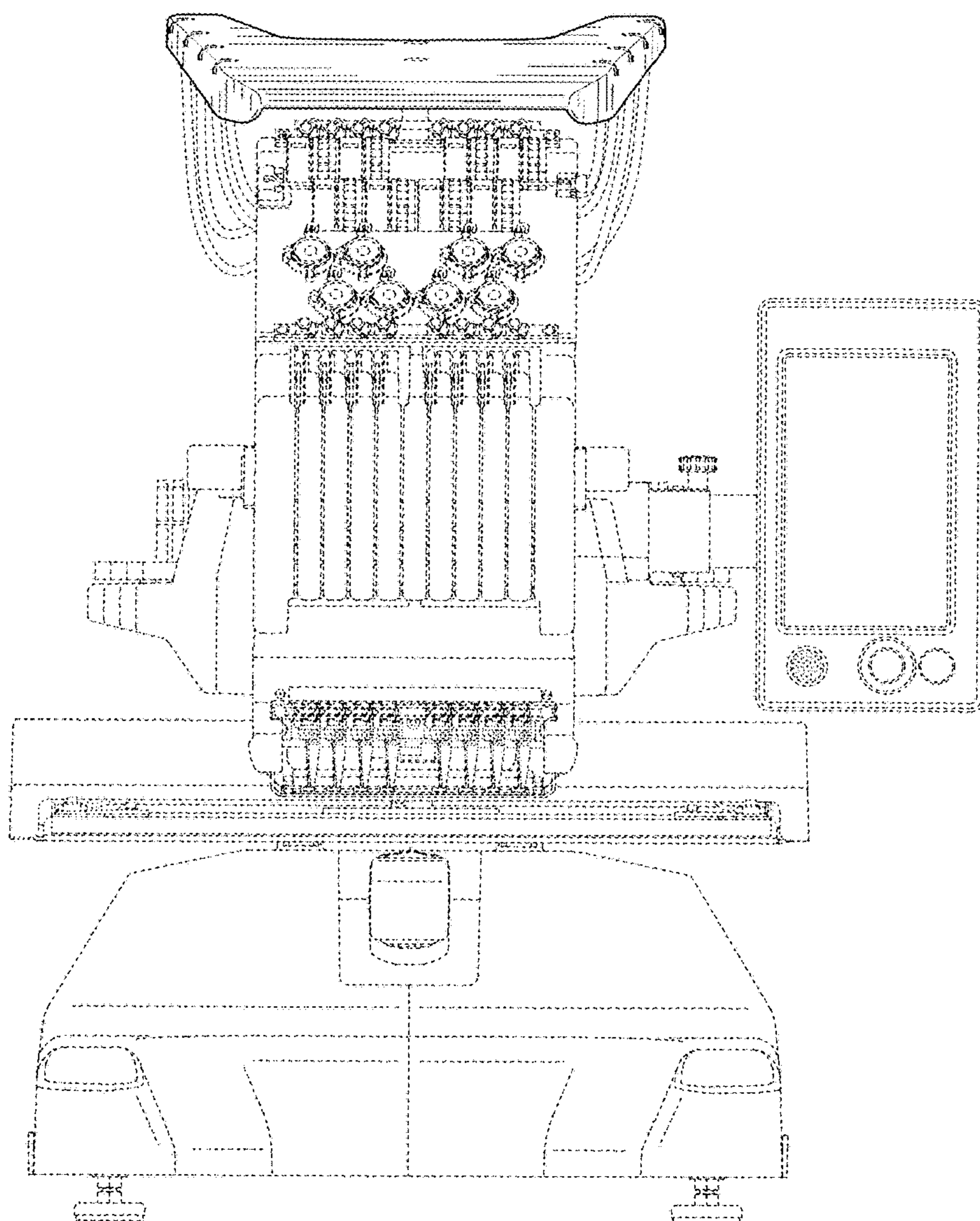


FIG. 2

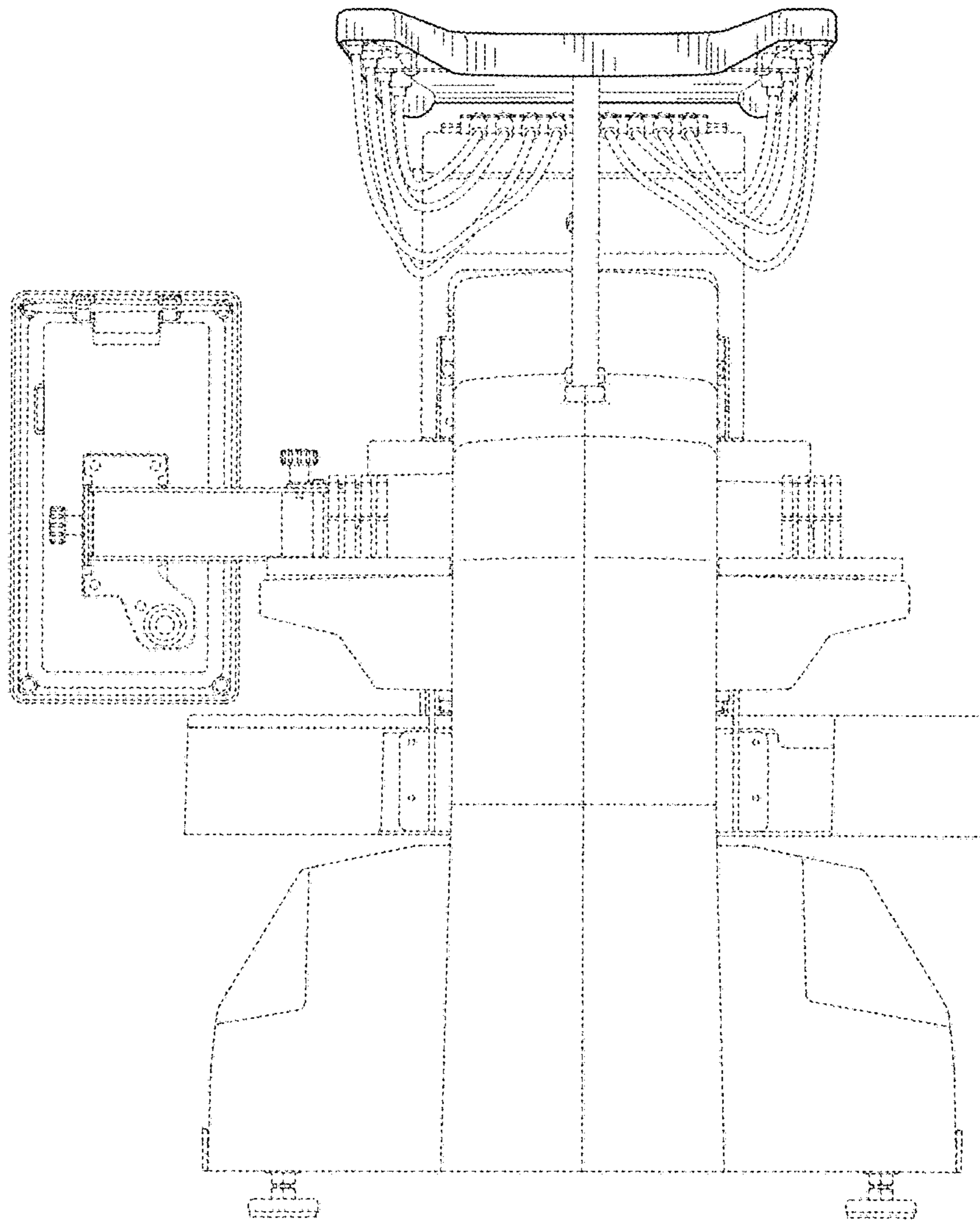


FIG. 3

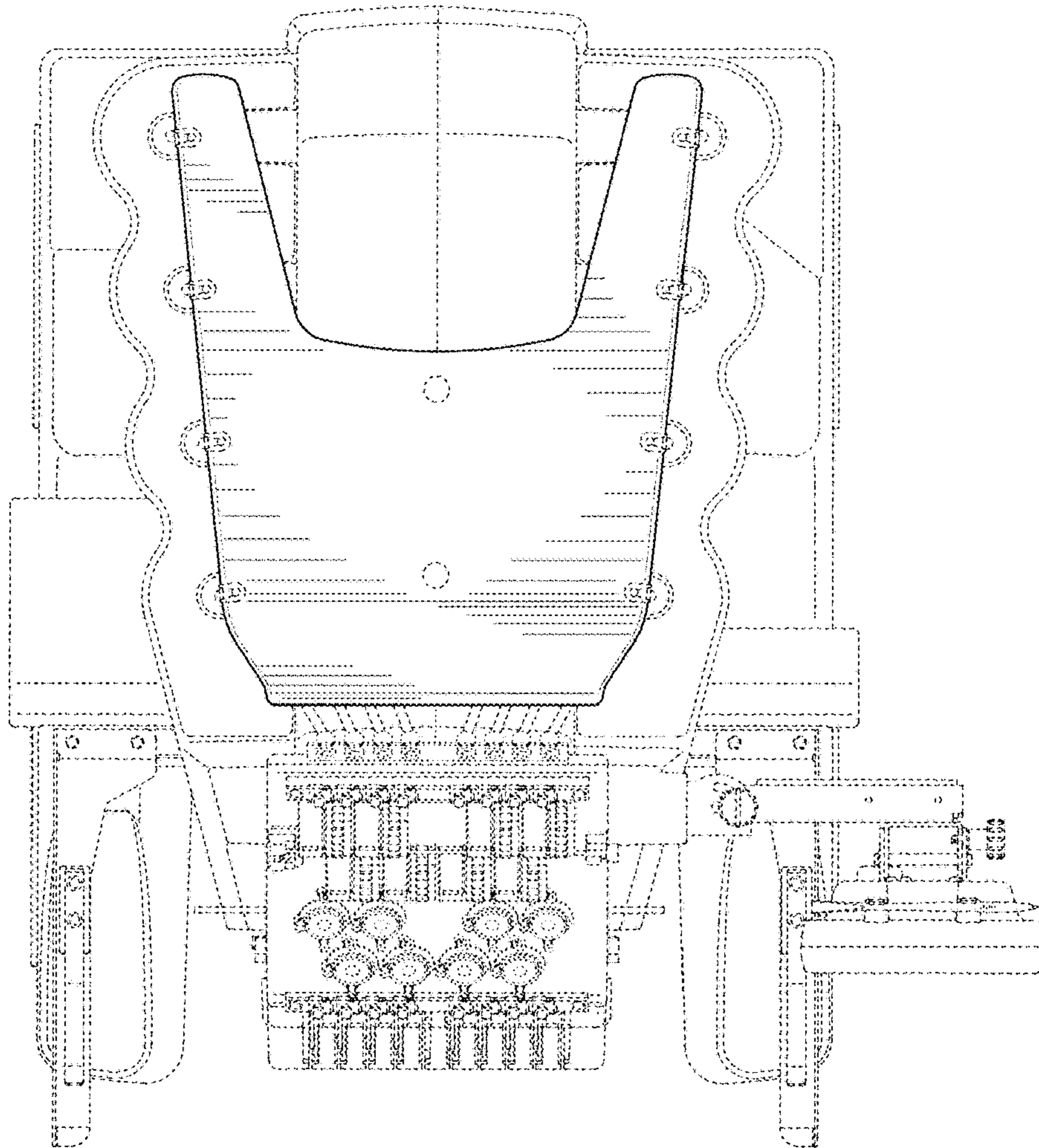


FIG. 4

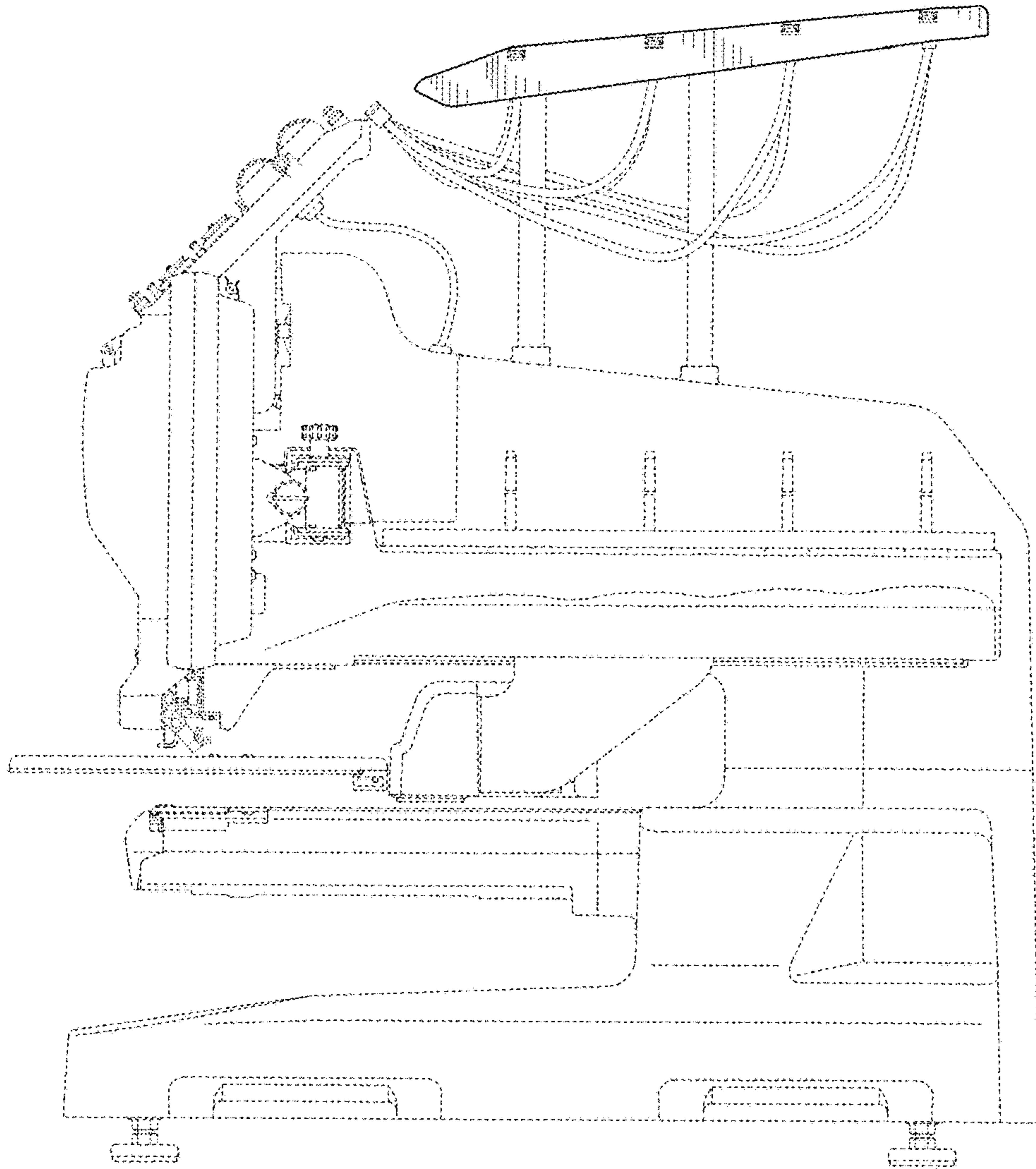


FIG. 5

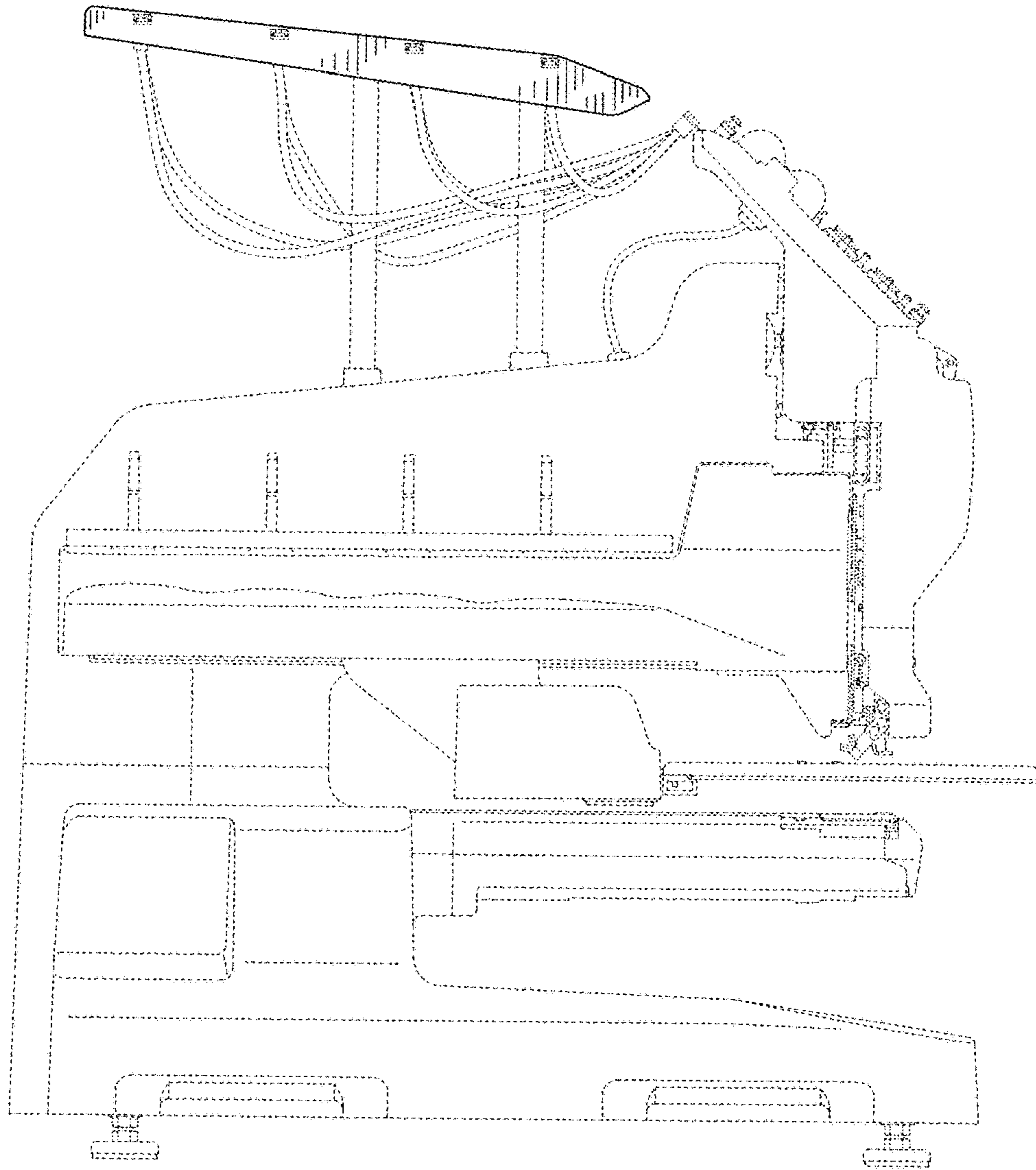


FIG. 6