



US00D846006S

(12) **United States Design Patent** (10) **Patent No.:** **US D846,006 S**  
**Kita** (45) **Date of Patent:** **\*\* Apr. 16, 2019**

(54) **COMBINED THREAD TENSION DEVICE AND THREAD BREAKAGE DETECTOR MOUNTED ON THREAD TENSION TABLE FOR EMBROIDERY SEWING MACHINE**

4,735,161 A \* 4/1988 Brocklehurst ..... D05B 51/00  
112/273  
4,803,941 A 2/1989 Schreiber et al.  
D306,601 S 3/1990 Uchida  
D307,024 S 4/1990 Itoh et al.  
4,960,062 A \* 10/1990 Hanyu ..... D05B 47/04  
112/255  
D321,518 S 11/1991 Uchida  
(Continued)

(71) Applicant: **TOKAI KOGYO MISHIN KABUSHIKI KAISHA**, Kasugai-shi (JP)

(72) Inventor: **Toshiyuki Kita**, Nishinomiya (JP)

(73) Assignee: **TOKAI KOGYO MISHIN KABUSHIKI KAISHA**, Kasugai-Shi (JP)

(\*\*) Term: **15 Years**

(21) Appl. No.: **29/617,947**

(22) Filed: **Sep. 18, 2017**

(30) **Foreign Application Priority Data**

Mar. 22, 2017 (JP) ..... 2017-005768

(51) **LOC (11) Cl.** ..... **15-06**

(52) **U.S. Cl.**  
USPC ..... **D15/72**

(58) **Field of Classification Search**  
USPC ..... D15/66-78  
CPC ..... D05B 1/00-25/00  
See application file for complete search history.

(56) **References Cited**

**U.S. PATENT DOCUMENTS**

2,940,685 A 6/1960 Glass  
3,021,401 A \* 2/1962 Young ..... B65H 63/028  
200/61.13  
3,114,516 A 12/1963 Comerio  
3,587,497 A \* 6/1971 Beazley ..... D05B 51/00  
112/273  
3,727,393 A \* 4/1973 Mikulecky ..... B65H 63/0321  
200/61.18  
4,407,461 A 10/1983 Tomisawa

**OTHER PUBLICATIONS**

Copending U.S. Appl. No. 29/617,944, filed Sep. 18, 2017.  
(Continued)

*Primary Examiner* — Mitchell I. Siegel  
(74) *Attorney, Agent, or Firm* — Rossi, Kimms & McDowell LLP

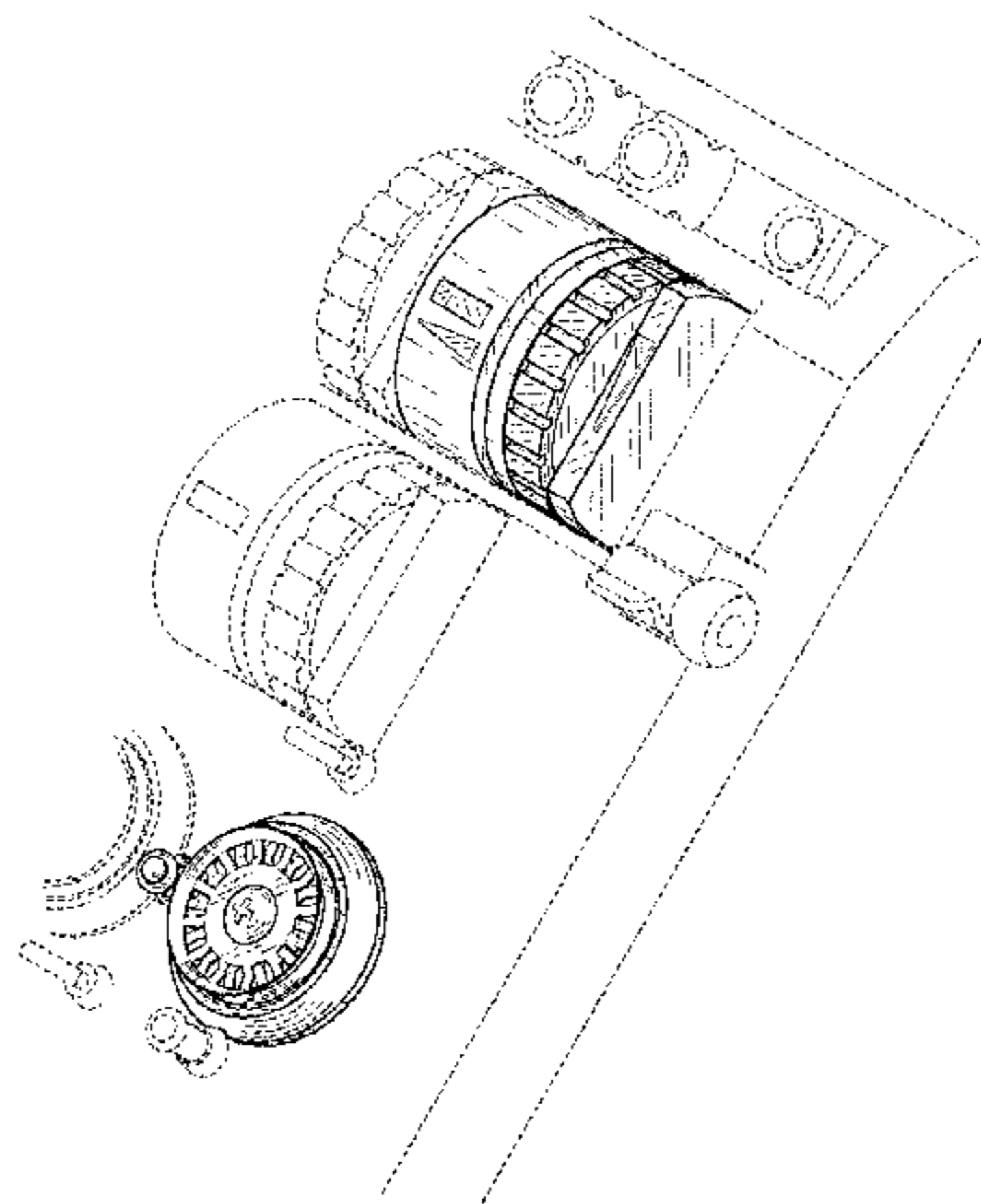
(57) **CLAIM**

I claim the ornamental design for a combined thread tension device and thread breakage detector mounted on thread tension table for embroidery sewing machine, as shown and described.

**DESCRIPTION**

FIG. 1 is a perspective view of a combined thread tension device and thread breakage detector mounted on thread tension table for embroidery sewing machine;  
FIG. 2 is a front elevational view thereof;  
FIG. 3 is a top plan view thereof;  
FIG. 4 is a right-side elevational view thereof;  
FIG. 5 is an enlarged perspective view thereof;  
FIG. 6 is an enlarged right-side elevational view thereof;  
and,  
FIG. 7 is an enlarged front elevational view thereof.  
The broken lines showing the unclaimed portions of the embroidery sewing machine are for illustrative purposes and form no part of the claimed design.

**1 Claim, 6 Drawing Sheets**



(56)

References Cited

U.S. PATENT DOCUMENTS

D321,694 S 11/1991 Uchida  
 5,211,122 A \* 5/1993 Lin ..... D05B 47/02  
 112/254  
 D338,022 S 8/1993 Takada et al.  
 5,347,942 A 9/1994 Thomas  
 5,471,941 A 12/1995 Sakuma  
 5,533,460 A \* 7/1996 Tseng ..... D05B 47/02  
 112/254  
 5,603,462 A 2/1997 Conrad et al.  
 D392,294 S 3/1998 Kato et al.  
 D450,721 S 11/2001 Kawaguchi  
 6,325,006 B1 \* 12/2001 Park ..... D05B 87/02  
 112/241  
 D462,368 S 9/2002 Kuroki  
 D465,793 S 11/2002 Takada et al.  
 D474,785 S 5/2003 Carter et al.  
 D478,337 S 8/2003 Kuroki  
 D478,916 S 8/2003 Kuroki  
 D482,702 S 11/2003 Kawaguchi  
 6,732,668 B2 5/2004 Zesch et al.  
 D491,201 S \* 6/2004 Suwa ..... D15/78  
 D492,702 S \* 7/2004 Suwa ..... D15/66  
 D521,534 S 5/2006 Kawaguchi  
 7,055,443 B2 6/2006 Goto et al.  
 D524,828 S 7/2006 Kuroki  
 7,114,455 B2 10/2006 Prufer et al.  
 7,204,137 B1 \* 4/2007 Skalchunes ..... D05B 69/36  
 73/159  
 7,219,611 B1 5/2007 Troncoso et al.

D553,650 S 10/2007 Muto  
 D555,176 S 11/2007 Ogawa  
 D570,882 S \* 6/2008 Lee ..... D15/66  
 D601,594 S 10/2009 Gustafsson  
 D632,706 S 2/2011 Hattori  
 7,949,421 B2 \* 5/2011 Hayakawa ..... D05C 11/06  
 112/102.5  
 D648,358 S \* 11/2011 Nonobe ..... D15/72  
 D648,757 S 11/2011 Muto  
 D648,759 S 11/2011 Fujihara  
 8,170,708 B2 5/2012 Goldman et al.  
 D700,634 S 3/2014 Saitou et al.  
 8,973,859 B2 3/2015 Troncoso et al.  
 9,346,650 B2 5/2016 Niizeki  
 10,000,871 B2 6/2018 Komada et al.  
 2010/0236463 A1 \* 9/2010 Fujihara ..... D05B 19/14  
 112/470.05

OTHER PUBLICATIONS

Copending U.S. Appl. No. 29/617,954, filed Sep. 18, 2017.  
 Notice of Allowance issued in U.S. Appl. No. 29/617,954 dated Dec. 3, 2018.  
 Quayle Action issued in U.S. Appl. No. 29/617,954 dated Aug. 29, 2018.  
 Office Action issued in U.S. Appl. No. 29/617,944 dated Aug. 29, 2018.  
 Notice of Allowance issued in U.S. Appl. No. 29/617,944 dated Jan. 10, 2019.

\* cited by examiner

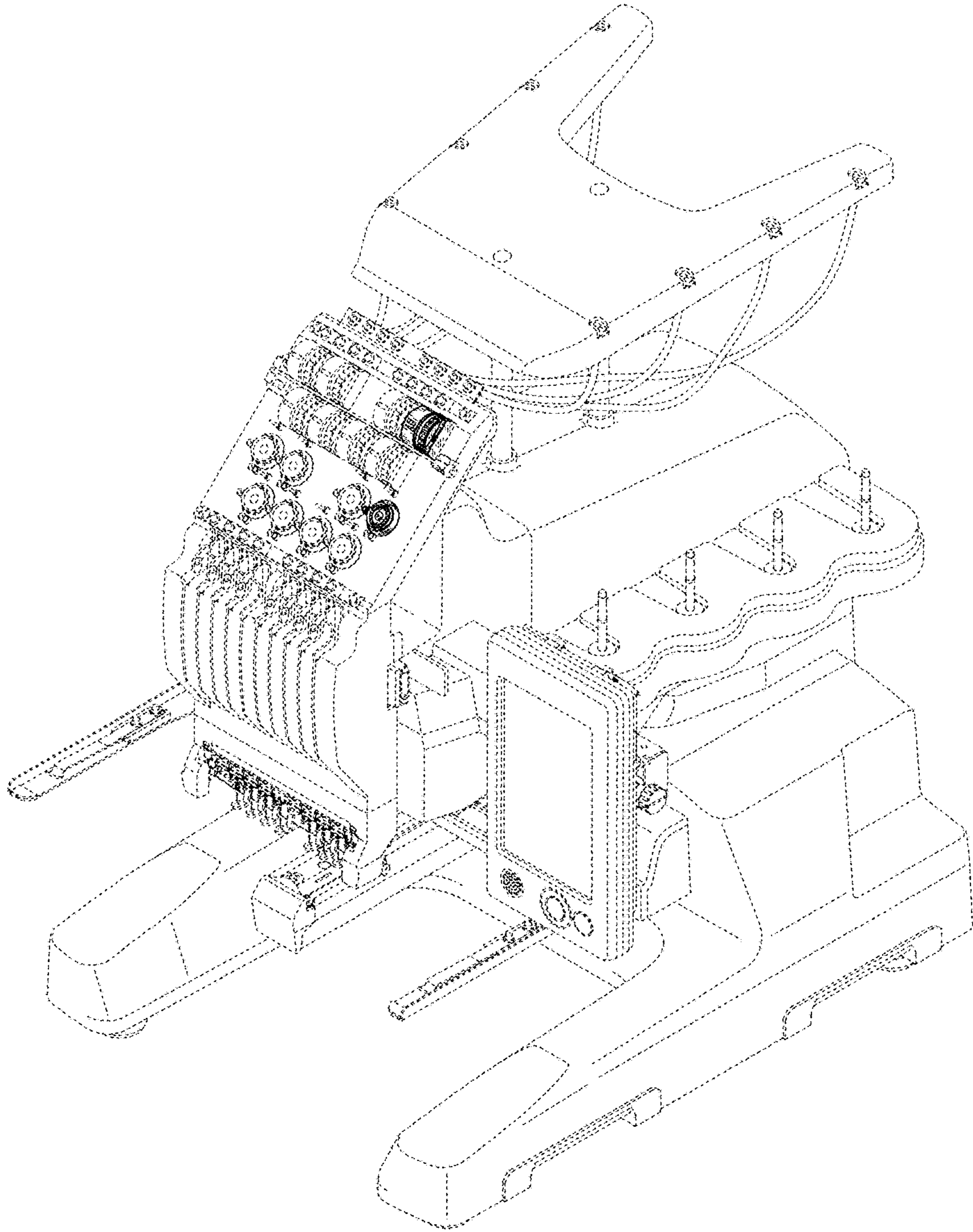


FIG. 1

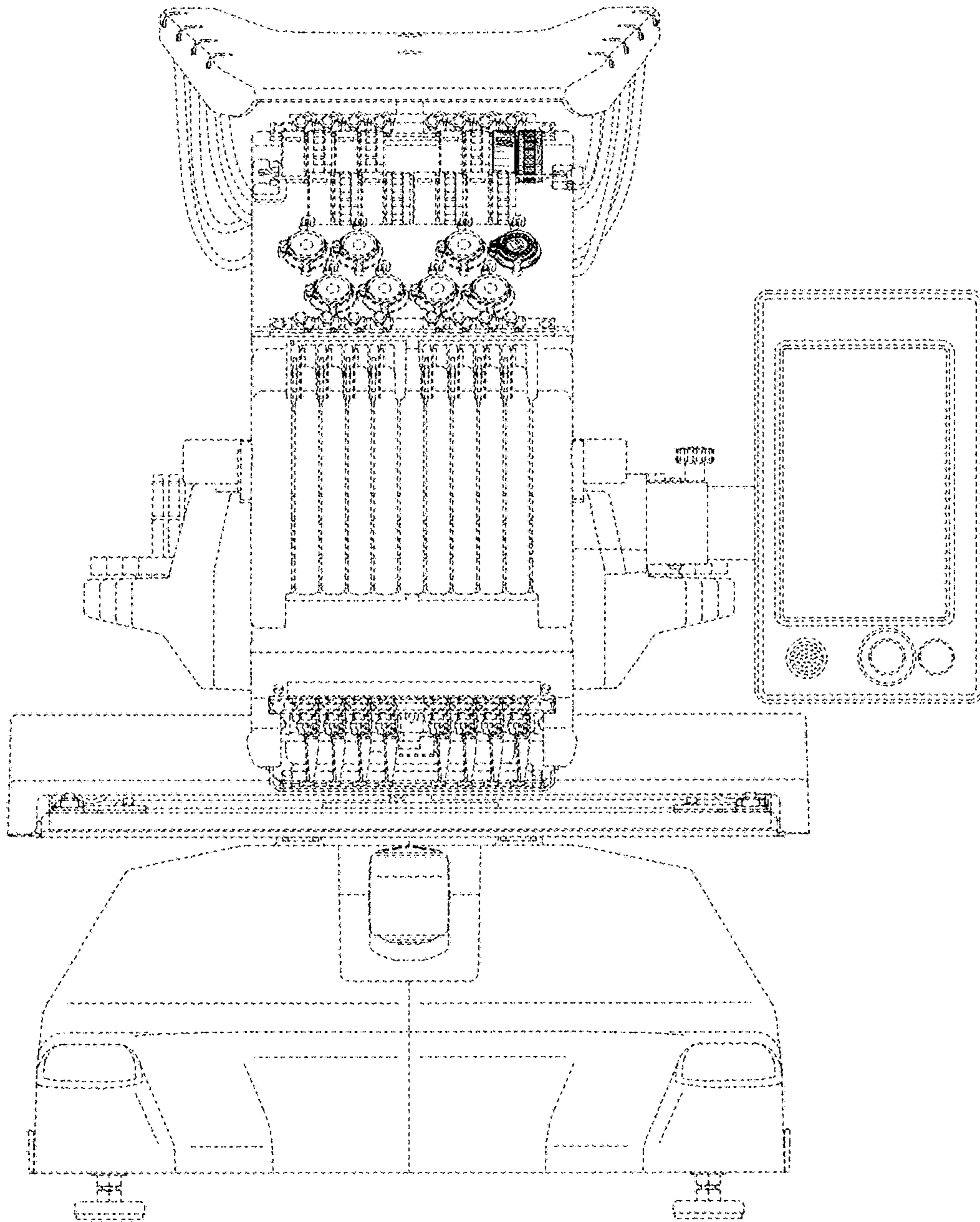


FIG. 2

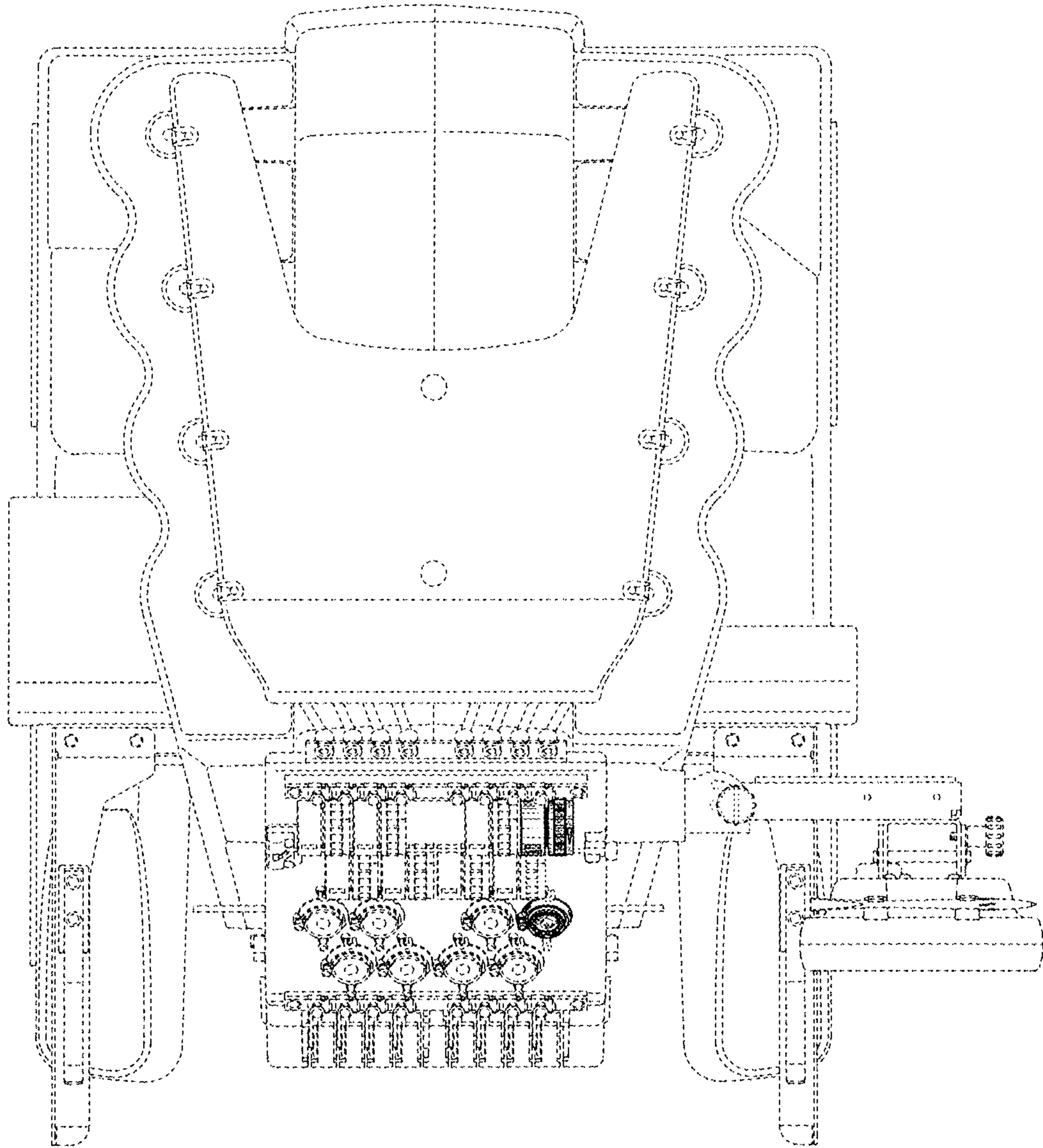


FIG. 3

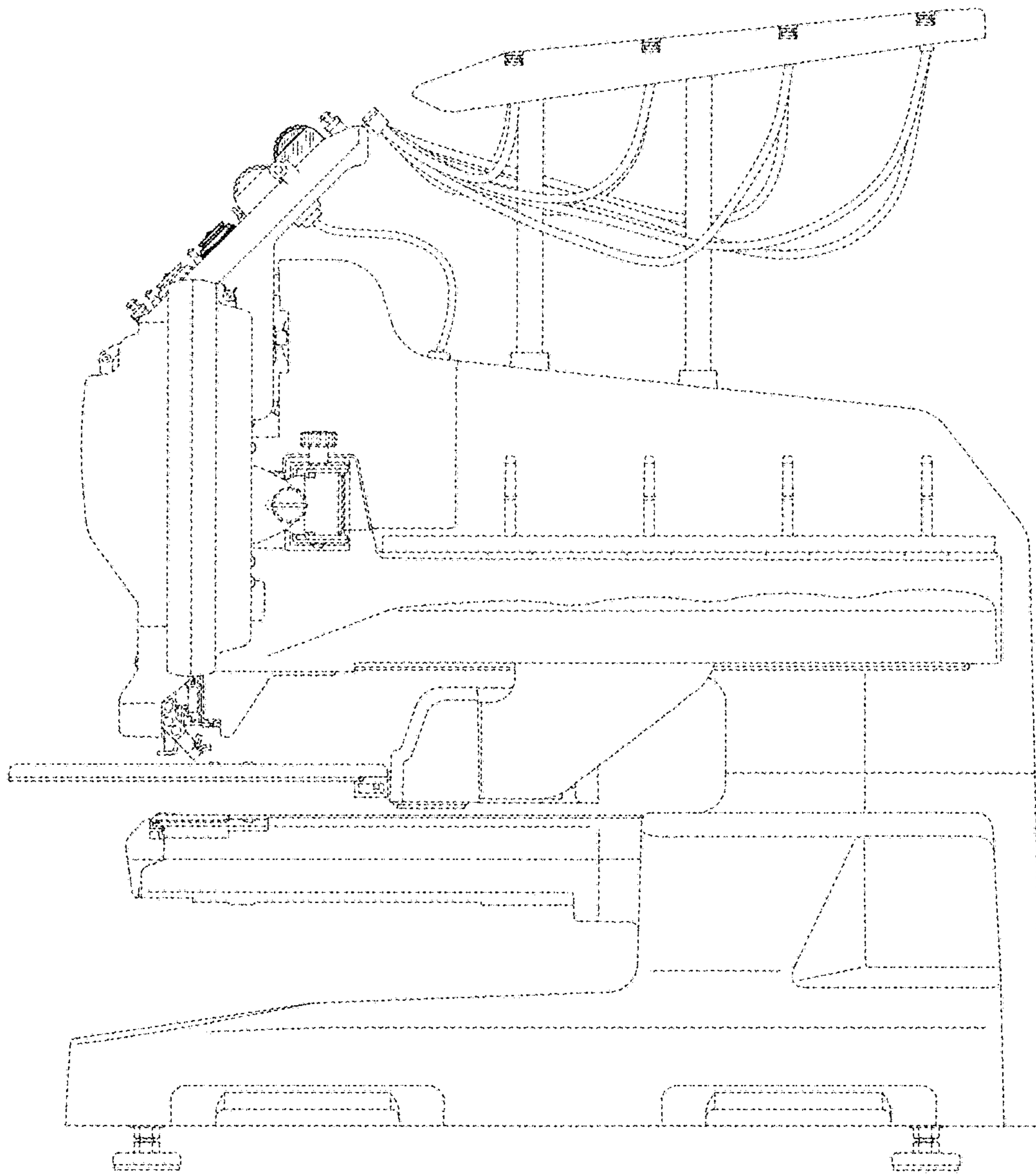


FIG. 4

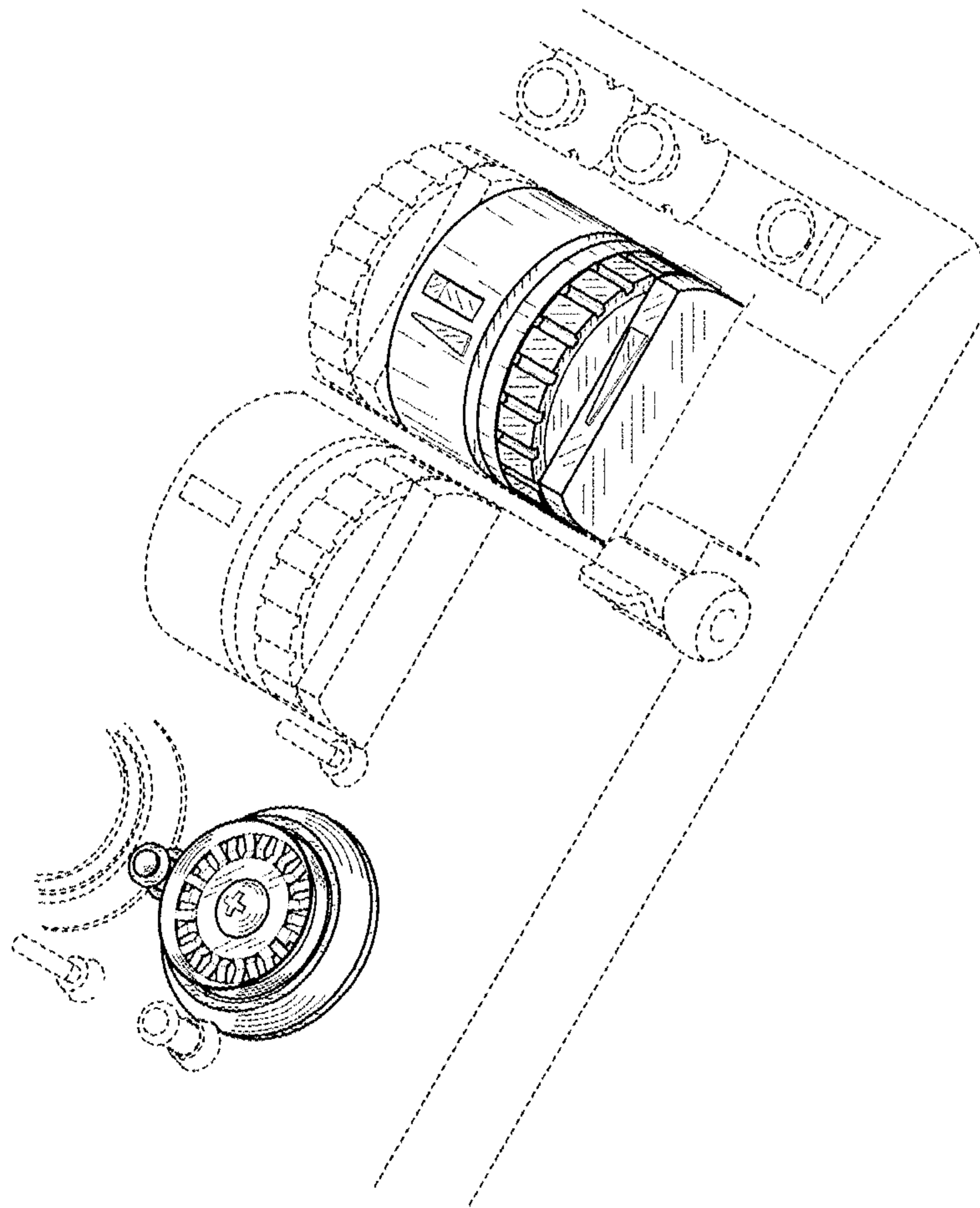


FIG. 5

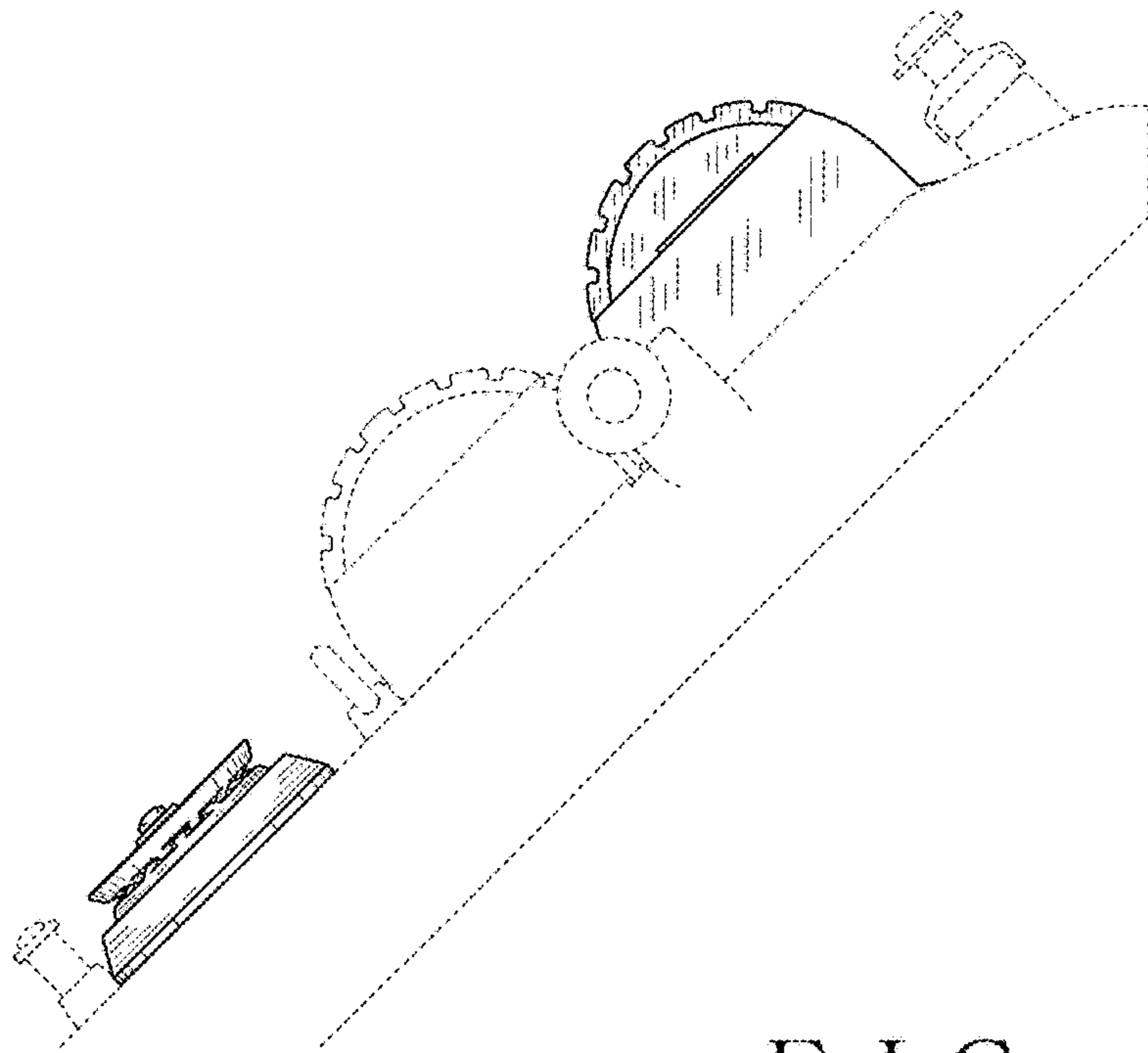


FIG. 6

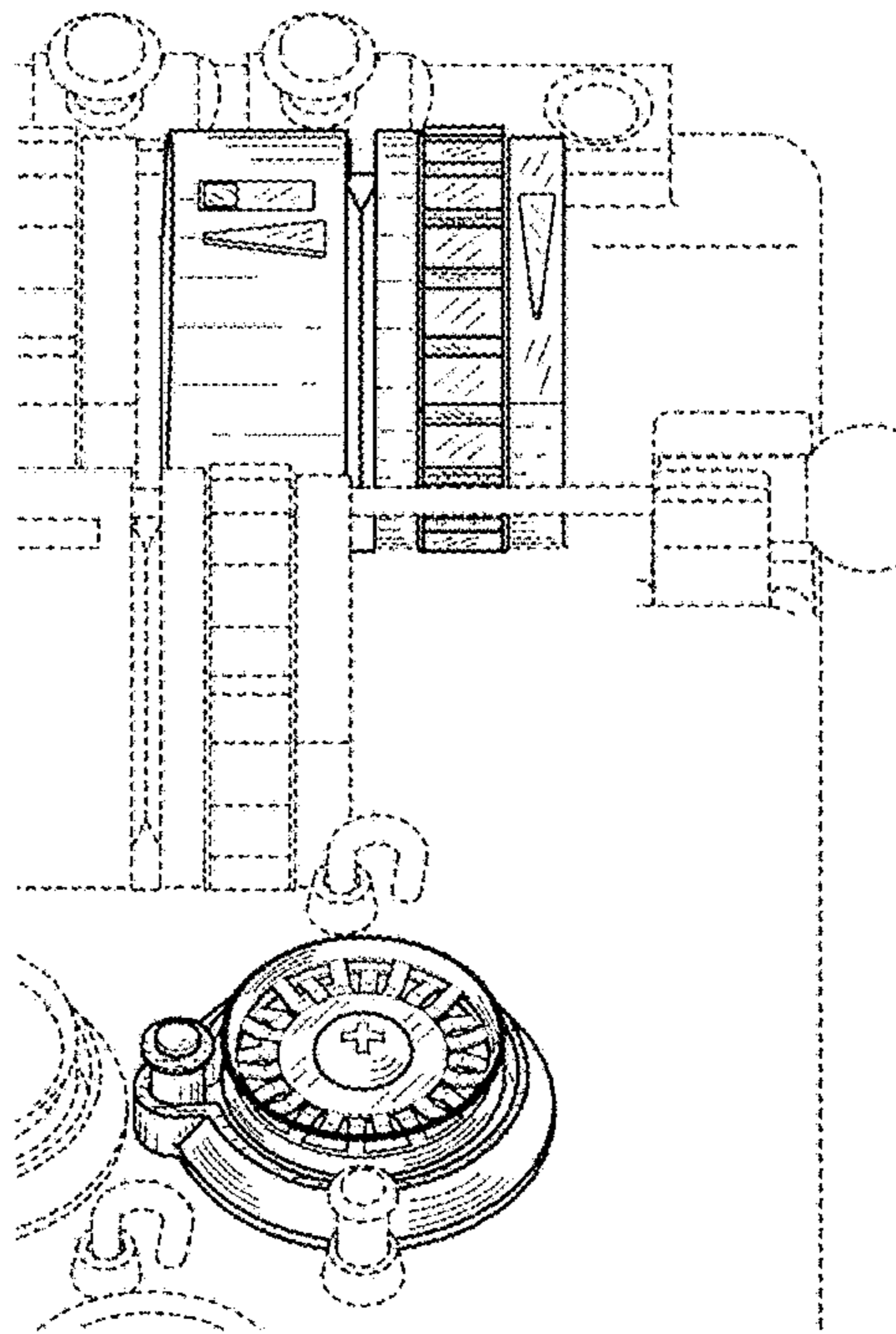


FIG. 7