



US00D846005S

(12) **United States Design Patent**  
**Kita**

(10) **Patent No.:** **US D846,005 S**

(45) **Date of Patent:** **\*\* Apr. 16, 2019**

(54) **SPOOL HOLDER FOR AN EMBROIDERY SEWING MACHINE**

(71) Applicant: **TOKAI KOGYO MISHIN KABUSHIKI KAISHA**, Kasugai-shi (JP)

(72) Inventor: **Toshiyuki Kita**, Nishinomiya (JP)

(73) Assignee: **TOKAI KOGYO MISHIN KABUSHIKI KAISHA**, Kasugai-shi (JP)

(\*\*) Term: **15 Years**

(21) Appl. No.: **29/617,944**

(22) Filed: **Sep. 18, 2017**

(30) **Foreign Application Priority Data**

Mar. 22, 2017 (JP) ..... 2017-005767

(51) **LOC (11) Cl.** ..... **15-06**

(52) **U.S. Cl.**  
USPC ..... **D15/72**

(58) **Field of Classification Search**  
USPC ..... D15/66-78  
CPC ..... D05B 1/00-25/00  
See application file for complete search history.

(56) **References Cited**

**U.S. PATENT DOCUMENTS**

2,940,685	A *	6/1960	Glass	.....	D05B 43/00 223/106
3,021,401	A	2/1962	Young		
3,114,516	A	12/1963	Comerio		
3,587,497	A	6/1971	Beazley		
3,727,393	A	4/1973	Mikulecky et al.		
4,407,461	A *	10/1983	Tomisawa	.....	D05B 43/00 242/134
4,735,161	A	4/1988	Brocklehurst		

4,803,941	A	2/1989	Schreiber et al.		
D306,601	S *	3/1990	Uchida	.....	D15/69
D307,024	S *	4/1990	Itoh	.....	D15/69
4,960,062	A	10/1990	Hanyu et al.		
D321,518	S *	11/1991	Uchida	.....	D15/69
D321,694	S *	11/1991	Uchida	.....	D15/69
5,211,122	A	5/1993	Lin		
D338,022	S *	8/1993	Takada	.....	D15/69
5,347,942	A	9/1994	Thomas		
5,471,941	A *	12/1995	Sakuma	.....	D05B 45/00 112/255

5,533,460	A	7/1996	Tseng		
5,603,462	A	2/1997	Conrad et al.		

(Continued)

**OTHER PUBLICATIONS**

Copending U.S. Appl. No. 29/617,954, filed Sep. 18, 2017.

(Continued)

*Primary Examiner* — Mitchell I. Siegel

(74) *Attorney, Agent, or Firm* — Rossi, Kimms & McDowell LLP

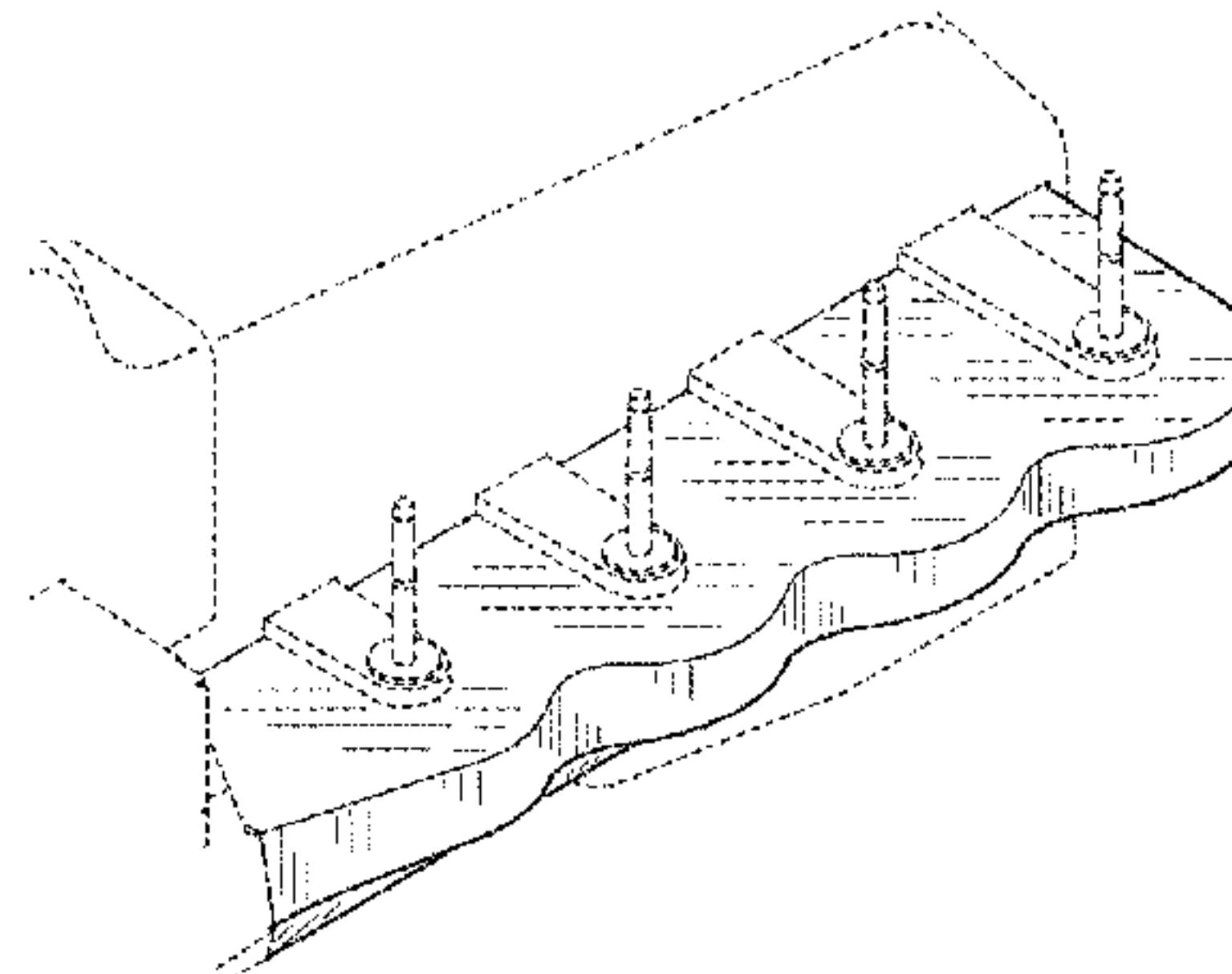
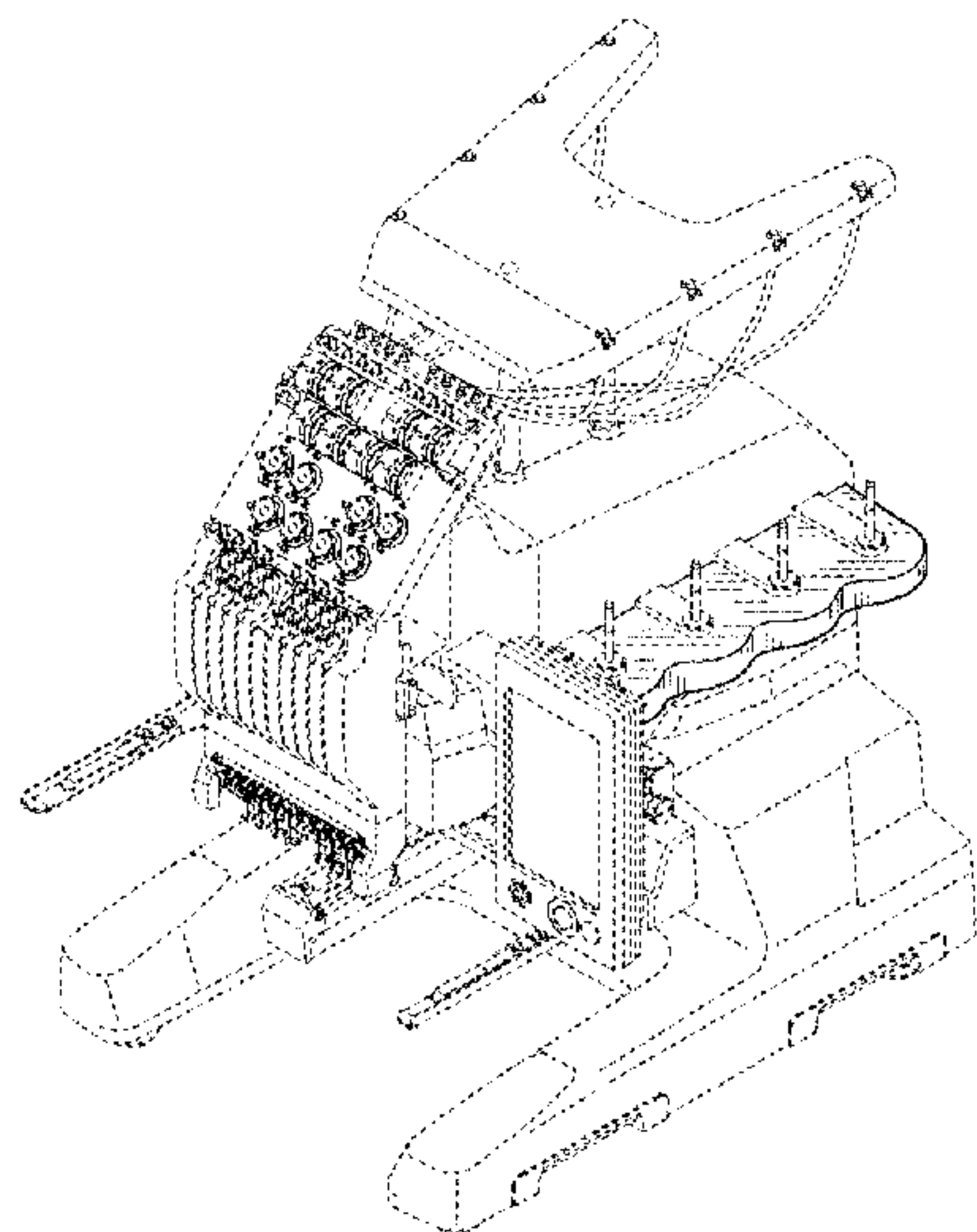
(57) **CLAIM**

I claim the ornamental design for a spool holder for an embroidery sewing machine, as shown and described.

**DESCRIPTION**

FIG. 1 is a perspective view of a spool holder for an embroidery sewing machine;  
FIG. 2 is a front elevational view thereof;  
FIG. 3 is a rear elevational view thereof;  
FIG. 4 is a top plan view thereof;  
FIG. 5 is a right-side elevational view thereof; and,  
FIG. 6 is an enlarged perspective view of the spool holder. The broken lines showing the unclaimed portions of the embroidery sewing machine are for illustrative purposes and form no part of the claimed design.

**1 Claim, 3 Drawing Sheets**



(56)

References Cited

U.S. PATENT DOCUMENTS

D392,294 S \* 3/1998 Kato ..... D15/69  
 D450,721 S \* 11/2001 Kawaguchi ..... D15/69  
 6,325,006 B1 12/2001 Park  
 D462,368 S \* 9/2002 Kuroki ..... D15/69  
 D465,793 S \* 11/2002 Takada ..... D15/69  
 D474,785 S \* 5/2003 Carter ..... D15/66  
 D478,337 S \* 8/2003 Kuroki ..... D15/69  
 D478,916 S \* 8/2003 Kuroki ..... D15/69  
 D482,702 S \* 11/2003 Kawaguchi ..... D15/69  
 6,732,668 B2 5/2004 Zesch et al.  
 D491,201 S 6/2004 Suwa et al.  
 D492,702 S \* 7/2004 Suwa ..... D15/66  
 D521,534 S \* 5/2006 Kawaguchi ..... D15/69  
 7,055,443 B2 6/2006 Goto et al.  
 D524,828 S \* 7/2006 Kuroki ..... D15/69  
 7,114,455 B2 \* 10/2006 Prufer ..... D05B 43/00  
 112/302  
 7,204,137 B1 4/2007 Skalchunes  
 7,219,611 B1 5/2007 Troncoso et al.  
 D553,650 S \* 10/2007 Muto ..... D15/69  
 D555,176 S \* 11/2007 Ogawa ..... D15/69  
 D570,882 S 6/2008 Lee  
 D601,594 S \* 10/2009 Gustafsson ..... D15/69  
 D632,706 S \* 2/2011 Hattori ..... H02K 5/20  
 D15/69

7,949,421 B2 5/2011 Hayakawa et al.  
 D648,358 S 11/2011 Nonobe  
 D648,757 S \* 11/2011 Muto ..... D15/69  
 D648,759 S \* 11/2011 Fujihara ..... D15/72  
 8,170,708 B2 5/2012 Goldman et al.  
 D700,634 S \* 3/2014 Saitou ..... D15/69  
 8,973,859 B2 \* 3/2015 Troncoso ..... D05B 43/00  
 242/129.72  
 9,346,650 B2 \* 5/2016 Niizeki ..... B65H 49/16  
 10,000,871 B2 \* 6/2018 Komada ..... D05B 43/00  
 2010/0236463 A1 \* 9/2010 Fujihara ..... D05B 19/14  
 112/470.05

OTHER PUBLICATIONS

Copending U.S. Appl. No. 29/617,947, filed Sep. 18, 2017.  
 Notice of Allowance issued in U.S. Appl. No. 29/617,954, dated Dec. 3, 2018.  
 Quayle Action issued in U.S. Appl. No. 29/617,954, dated Aug. 29, 2018.  
 Office Action issued in U.S. Appl. No. 29/617,947, dated Sep. 13, 2018.  
 Notice of Allowance issued in U.S. Appl. No. 29/617,947 dated Jan. 10, 2019.

\* cited by examiner

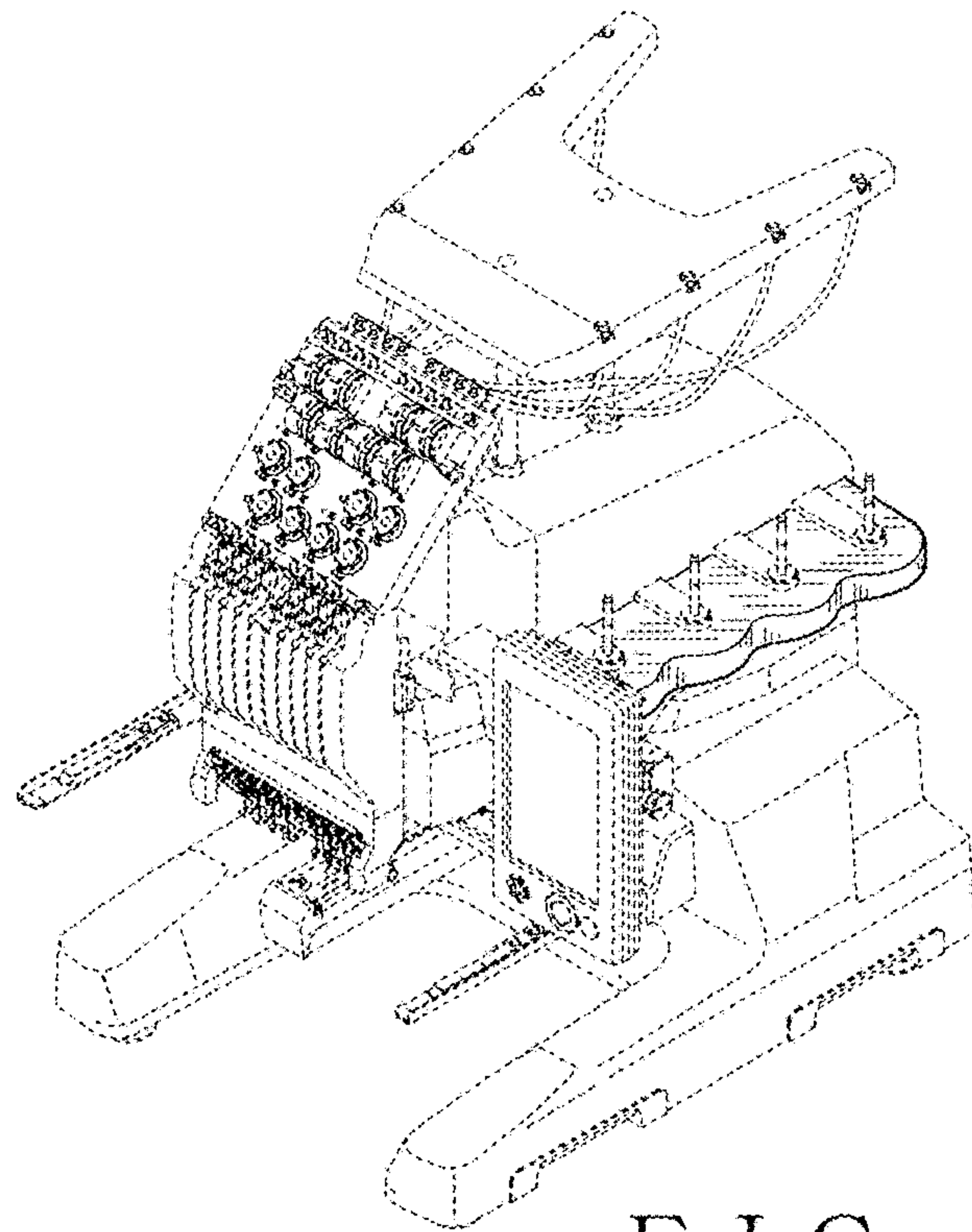


FIG. 1

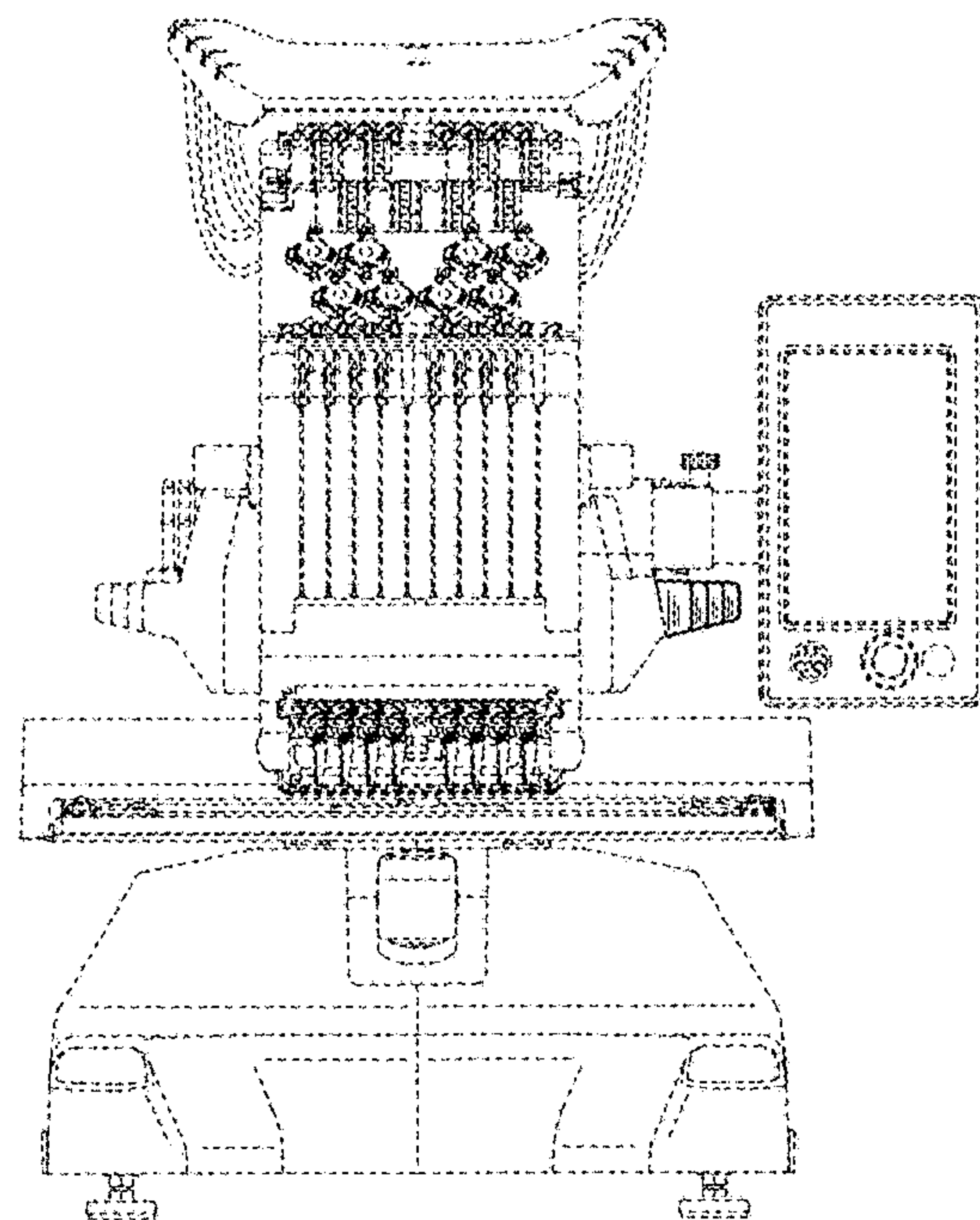


FIG. 2



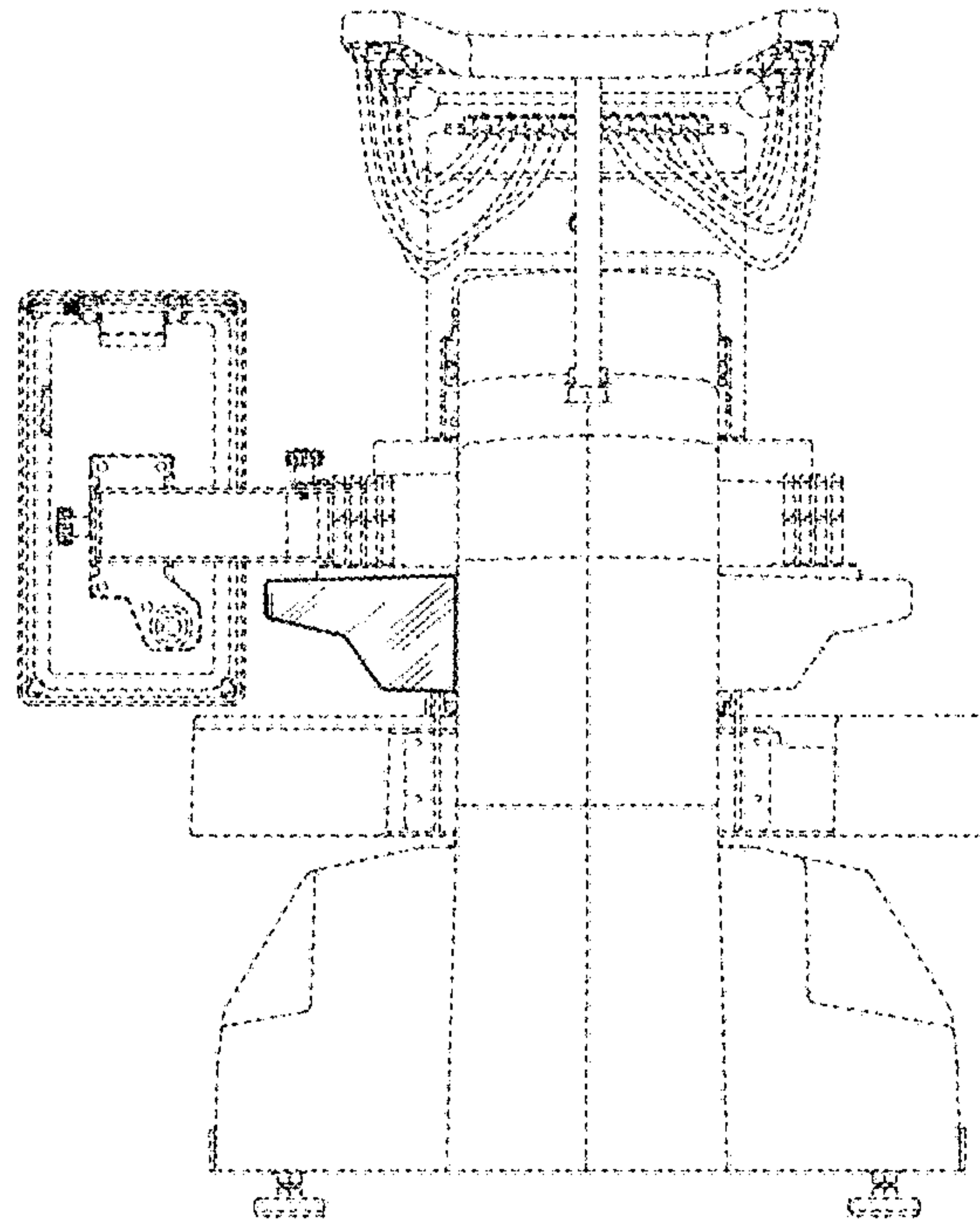


FIG. 3

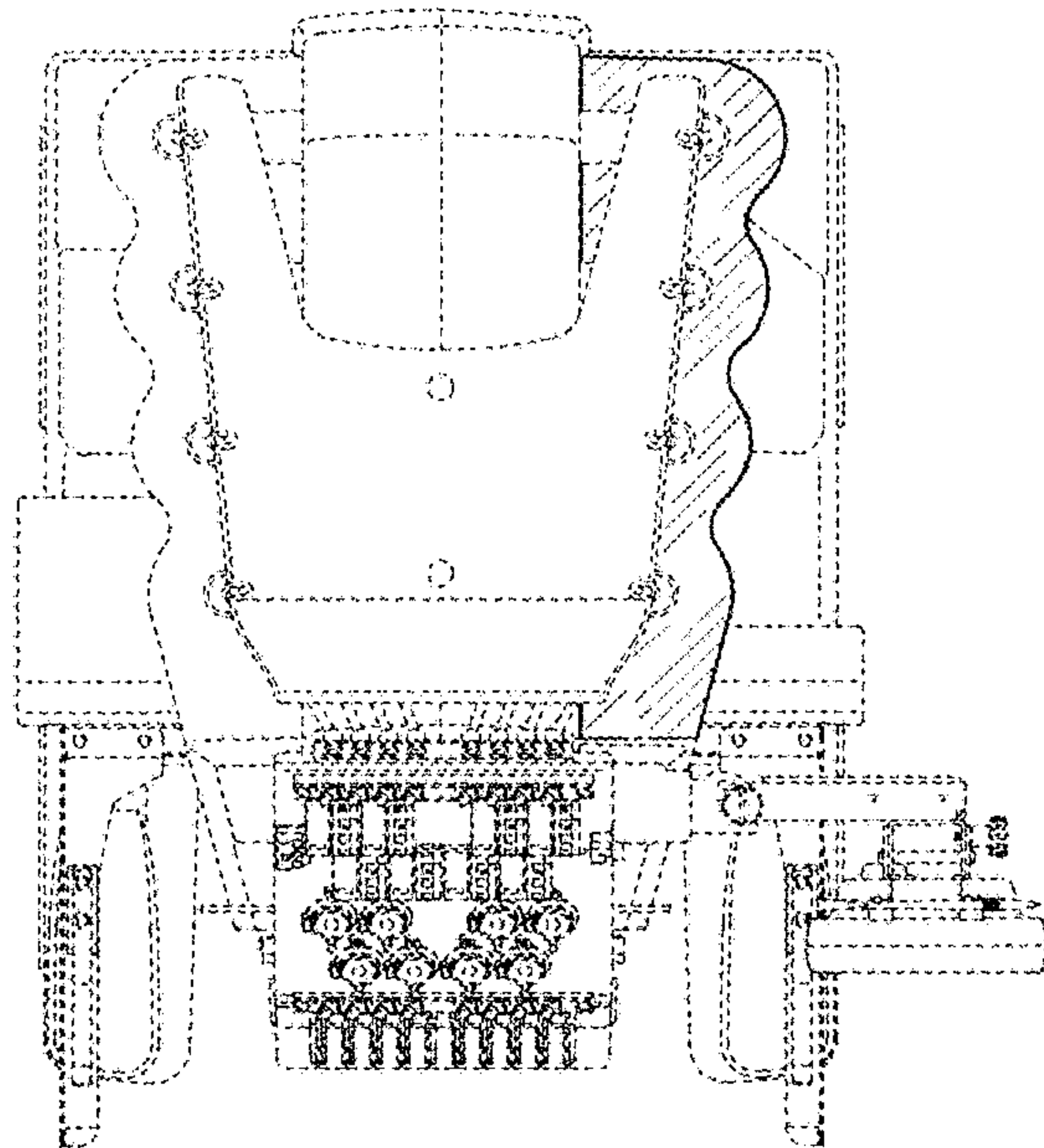


FIG. 4

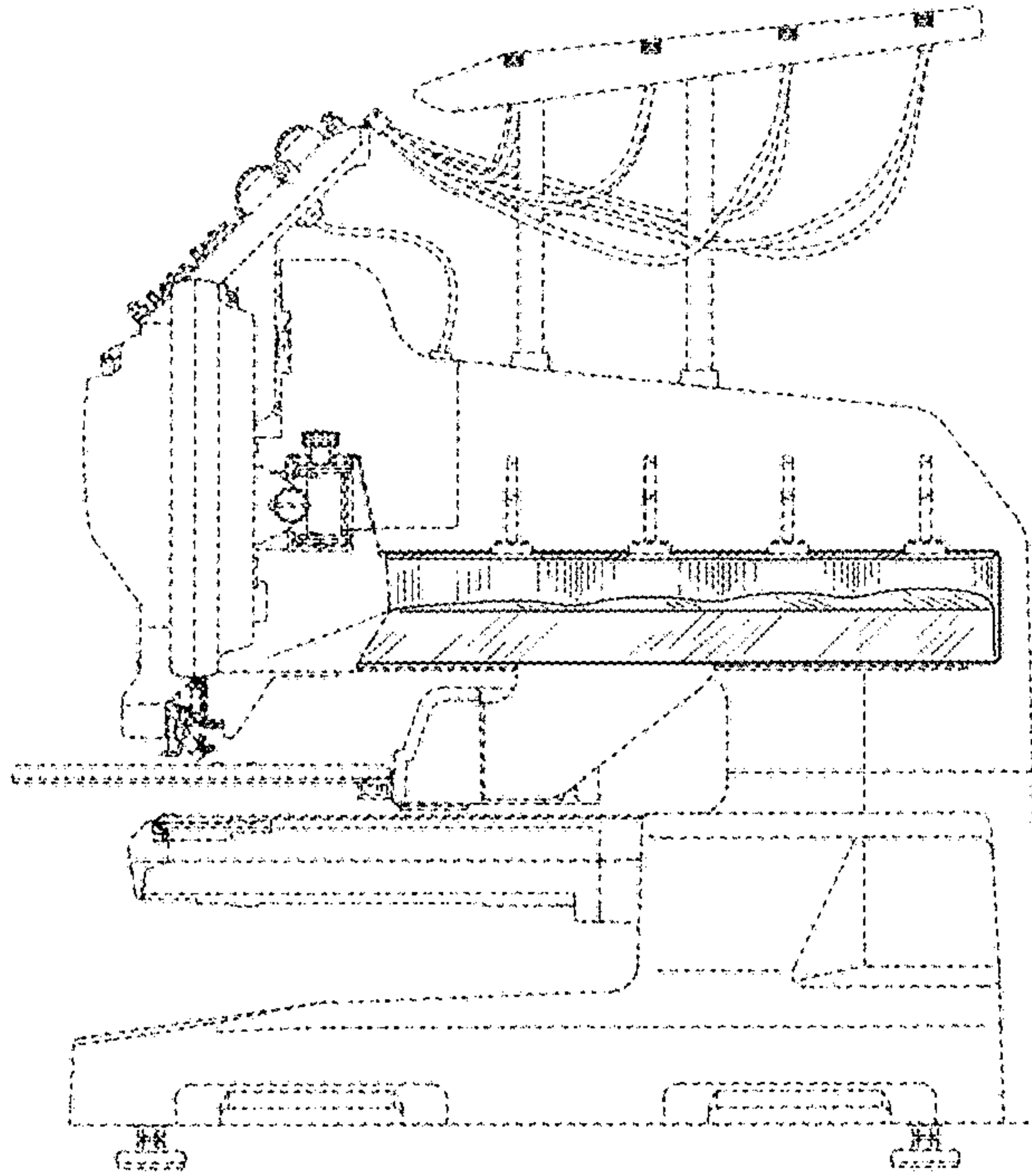


FIG. 5

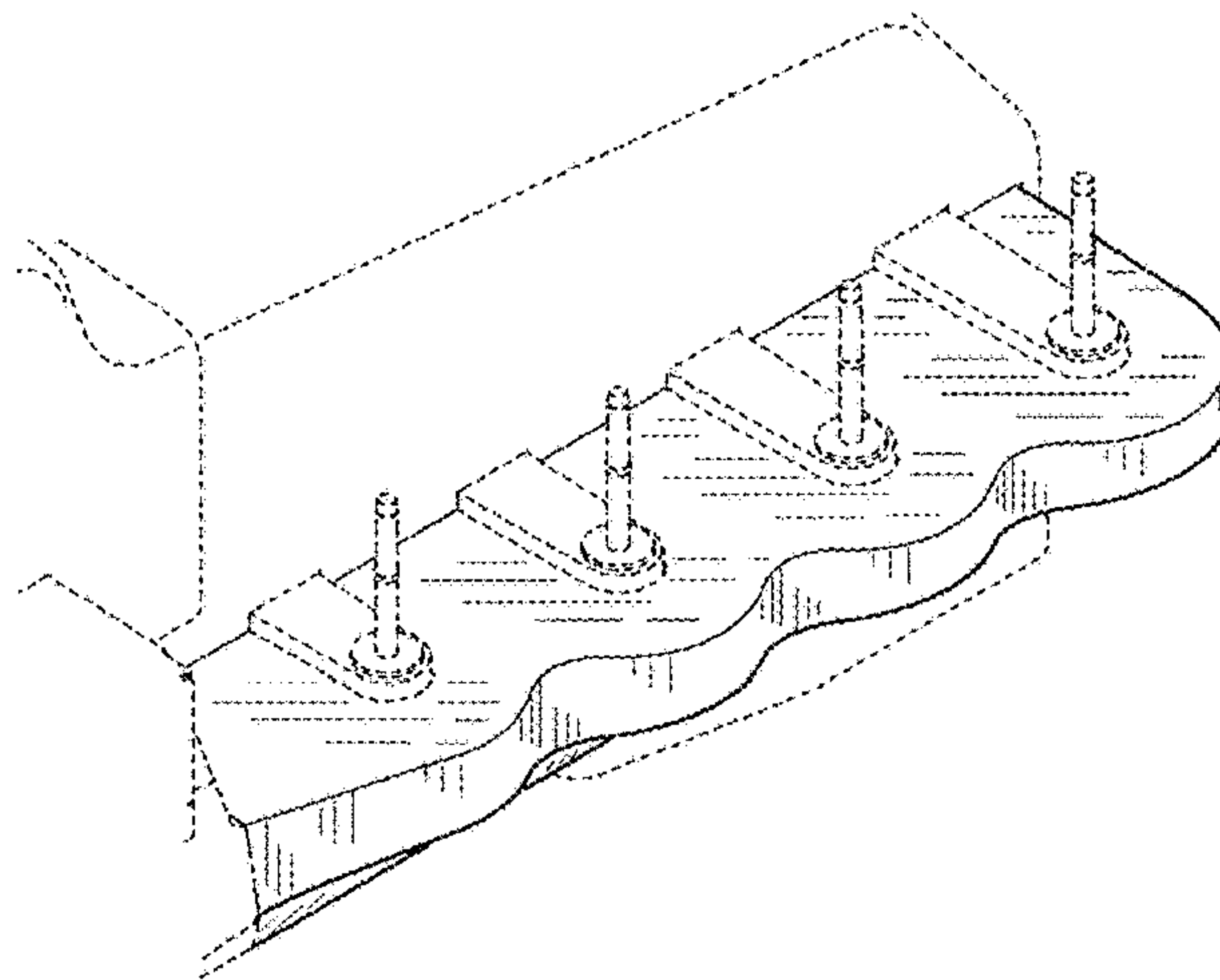


FIG. 6