



US00D846004S

(12) **United States Design Patent** (10) **Patent No.:** **US D846,004 S**
Jilbert et al. (45) **Date of Patent:** **** Apr. 16, 2019**

(54) **CANOPY FOR AN AERIAL WORK PLATFORM**

(71) Applicant: **JCB ACCESS LIMITED**, Uttoxeter (GB)

(72) Inventors: **Samuel John Jilbert**, Uttoxeter (GB); **Louis Gospel**, Uttoxeter (GB); **Ben Watson**, Uttoxeter (GB)

(73) Assignee: **JCB ACCESS LIMITED**, Uttoxeter (GB)

(**) Term: **15 Years**

(21) Appl. No.: **29/611,058**

(22) Filed: **Jul. 18, 2017**

(51) **LOC (11) Cl.** **15-03**

(52) **U.S. Cl.**
USPC **D15/31**

(58) **Field of Classification Search**
USPC D15/10, 22-26, 28, 30, 31, 33; 180/89.1, 180/89.12, 89.13, 900, 9.1, 9.2, 9.62; 37/379; 414/694, 699, 722-724, 660, 414/685, 698, 719, 743
CPC .. E02F 9/0866; E02F 9/18; E02F 3/32; F01N 13/001; F01N 2590/08
See application file for complete search history.

(56) **References Cited**

U.S. PATENT DOCUMENTS

| | | | | |
|--------------|---------|------------|-------|--------|
| D487,575 S * | 3/2004 | Wetzel | | D15/33 |
| D528,568 S * | 9/2006 | Kuwae | | D15/28 |
| D534,552 S * | 1/2007 | Yanagida | | D15/25 |
| D576,182 S * | 9/2008 | Murakami | | D15/28 |
| D715,330 S * | 10/2014 | Hutchinson | | D15/22 |
| D717,346 S * | 11/2014 | Ishii | | D15/28 |

| | | | | |
|--------------|---------|-----------|-------|--------|
| D725,683 S * | 3/2015 | Payne | | D15/31 |
| D749,150 S * | 2/2016 | Payne | | D15/31 |
| D754,214 S * | 4/2016 | Payne | | D15/31 |
| D767,644 S * | 9/2016 | Underhill | | D15/28 |
| D774,113 S * | 12/2016 | Underhill | | D15/31 |
| D797,159 S * | 9/2017 | Yeu | | D15/28 |
| D797,160 S * | 9/2017 | Yeu | | D15/30 |

* cited by examiner

Primary Examiner — Mark A Goodwin

(74) *Attorney, Agent, or Firm* — Marshall, Gerstein & Borun LLP

(57) **CLAIM**

The ornamental design for a canopy for an aerial work platform, as shown and described.

DESCRIPTION

FIG. 1 is a front, left-side, and top view of a canopy for an aerial work platform, showing the new design.

FIG. 2 is a top plan view of the canopy for an aerial work platform.

FIG. 3 is a right-side elevation view of the canopy for an aerial work platform.

FIG. 4 is a front elevation view of the canopy for an aerial work platform.

FIG. 5 is a rear elevation view of the canopy for an aerial work platform.

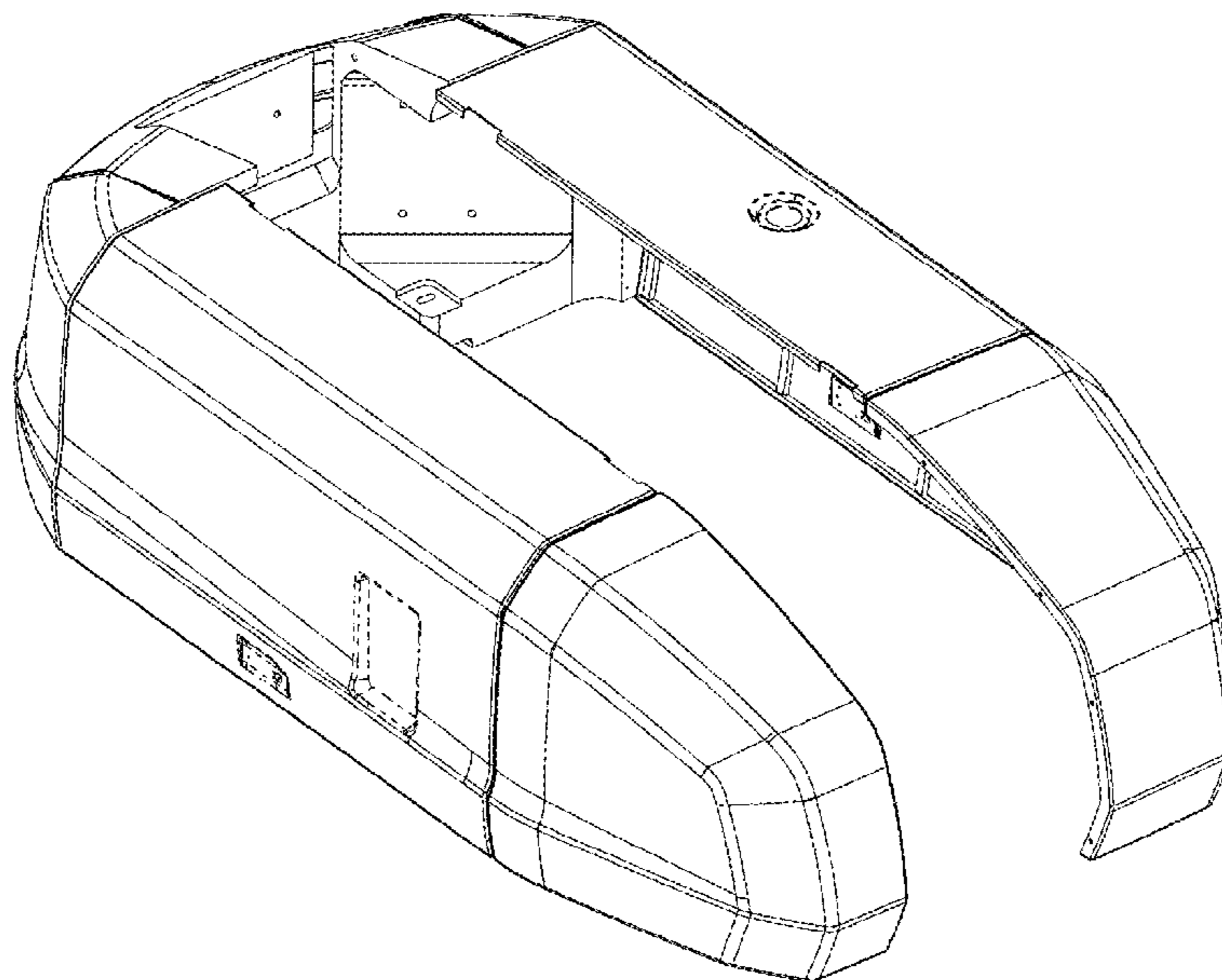
FIG. 6 is an underside plan view of the canopy for an aerial work platform.

FIG. 7 is a left-side elevation view of the canopy for an aerial work platform; and,

FIG. 8 is a right-side, back, and top view of the canopy for an aerial work platform.

The broken lines show unclaimed elements of the canopy for an aerial work platform and do not form part of the claimed design.

1 Claim, 5 Drawing Sheets



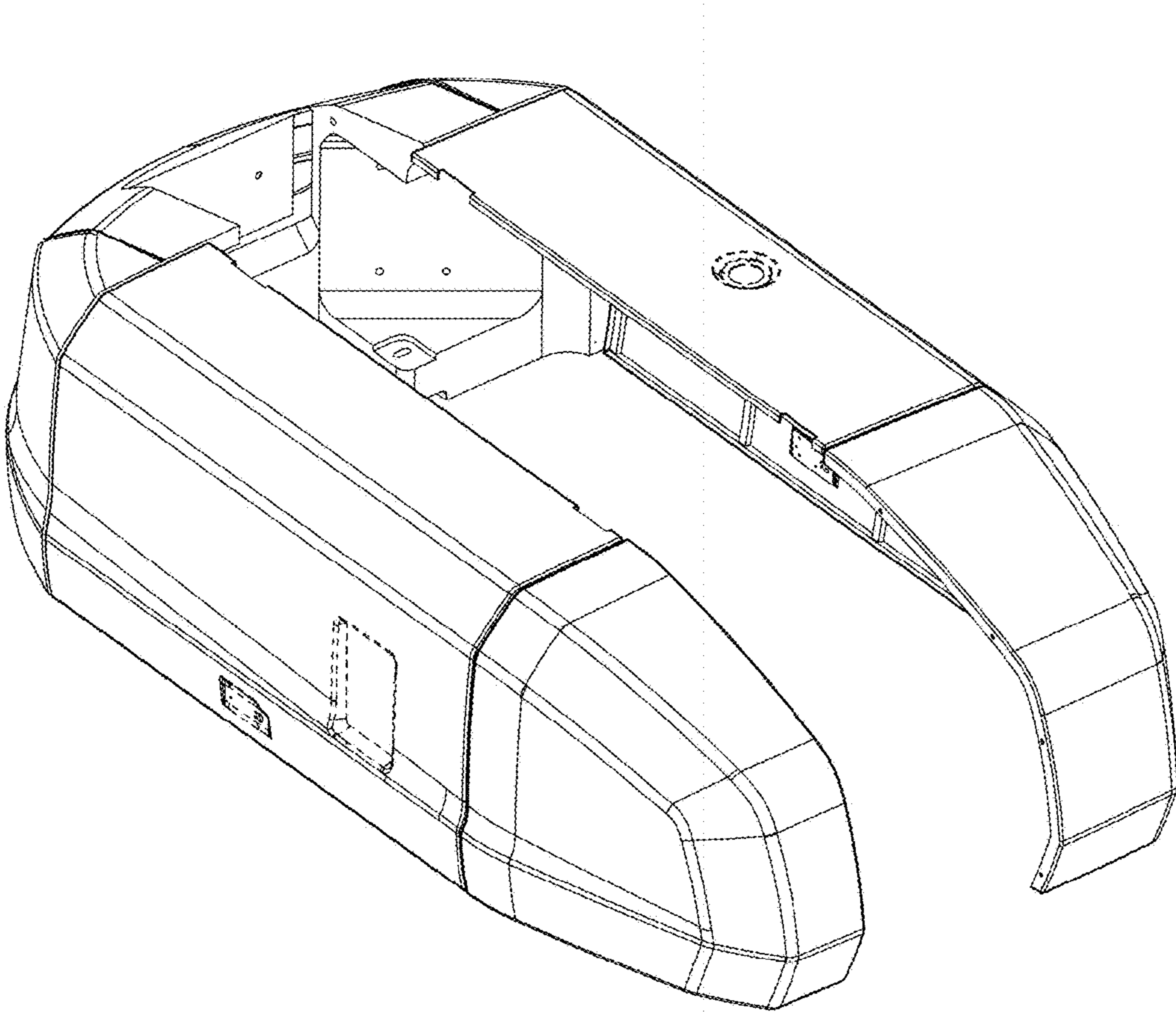


Fig. 1

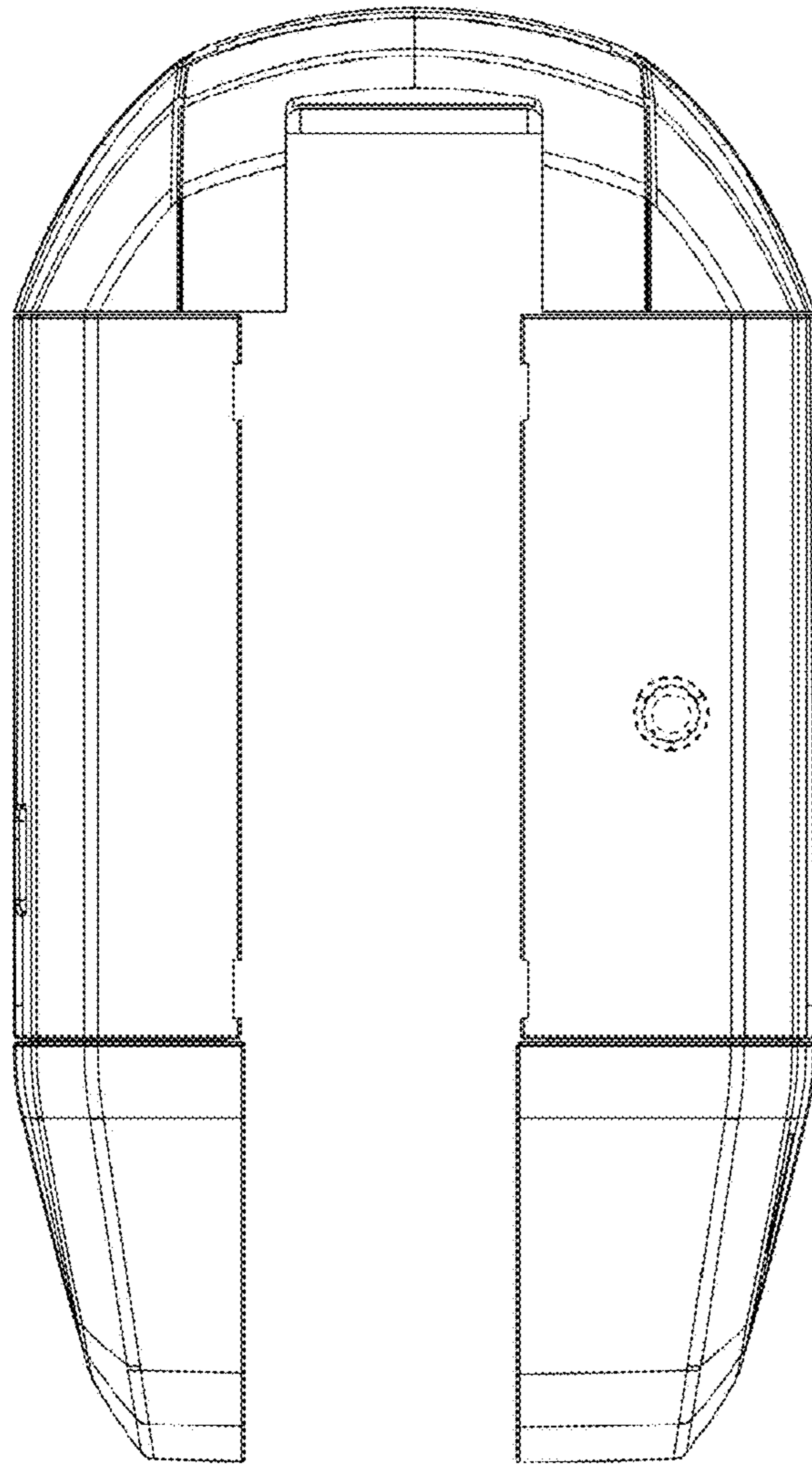


Fig. 2

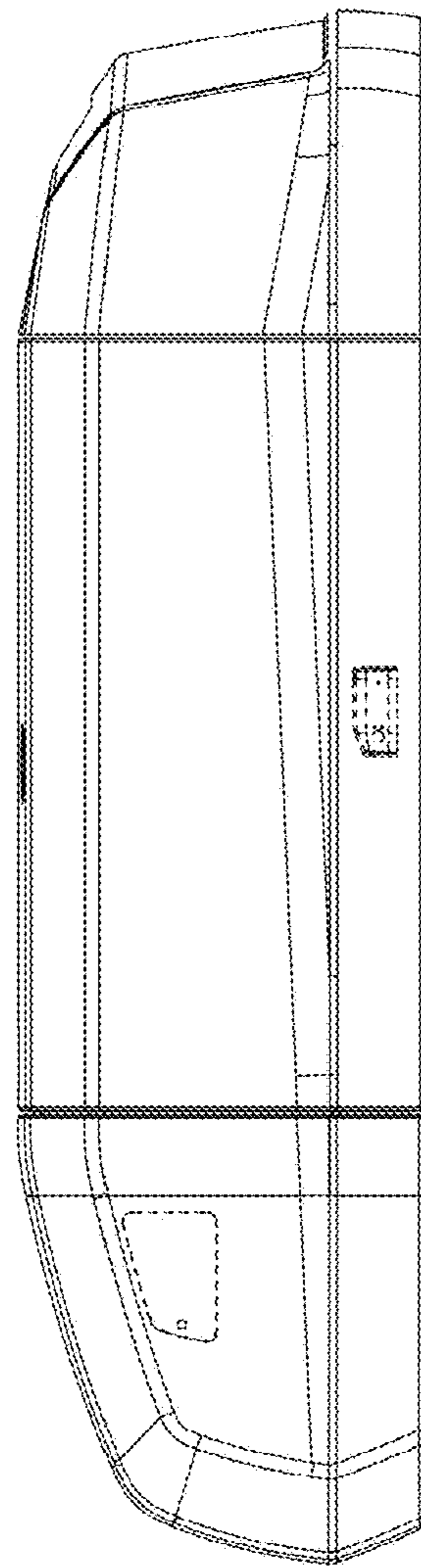


Fig. 3

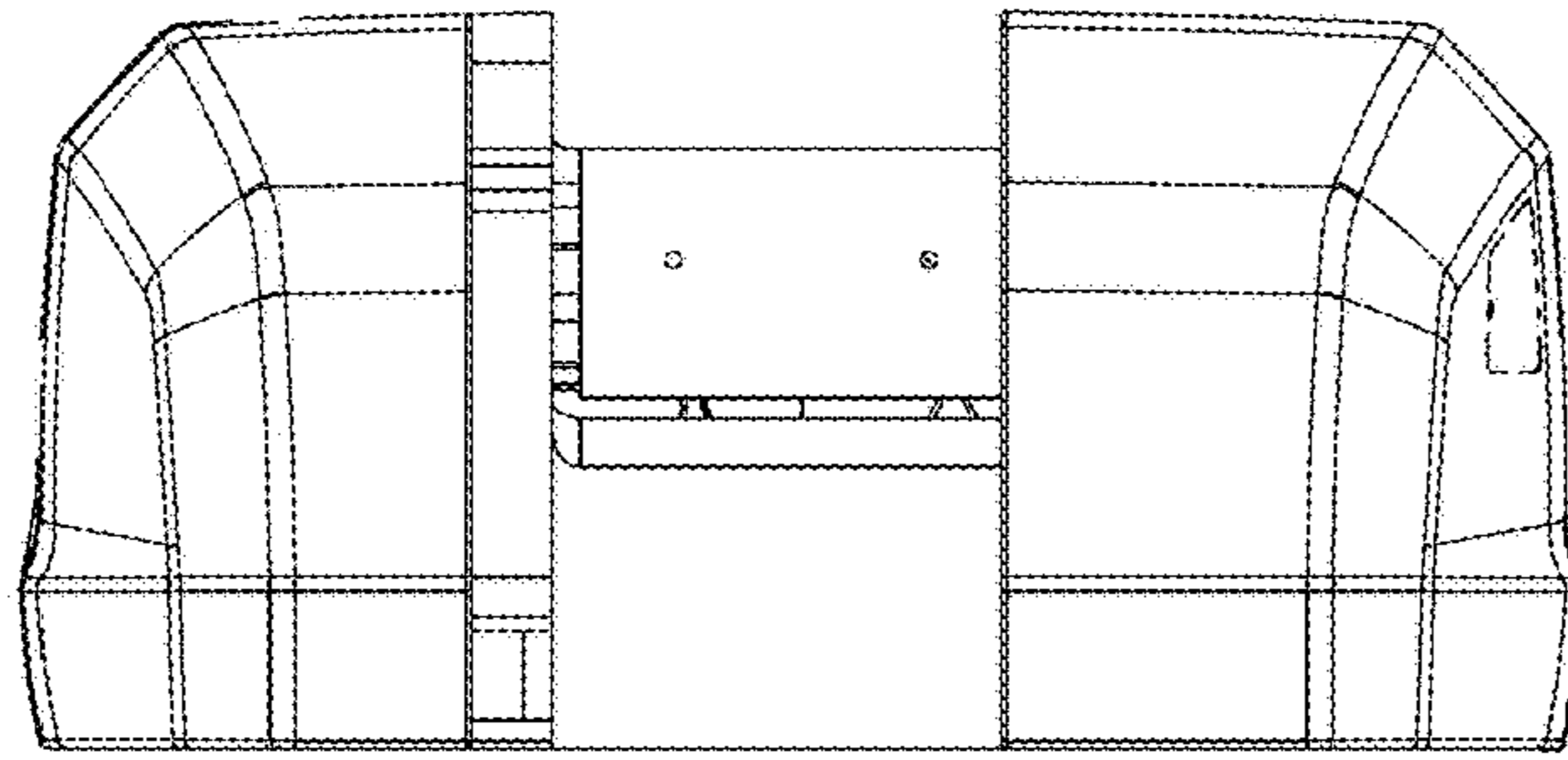


Fig. 4

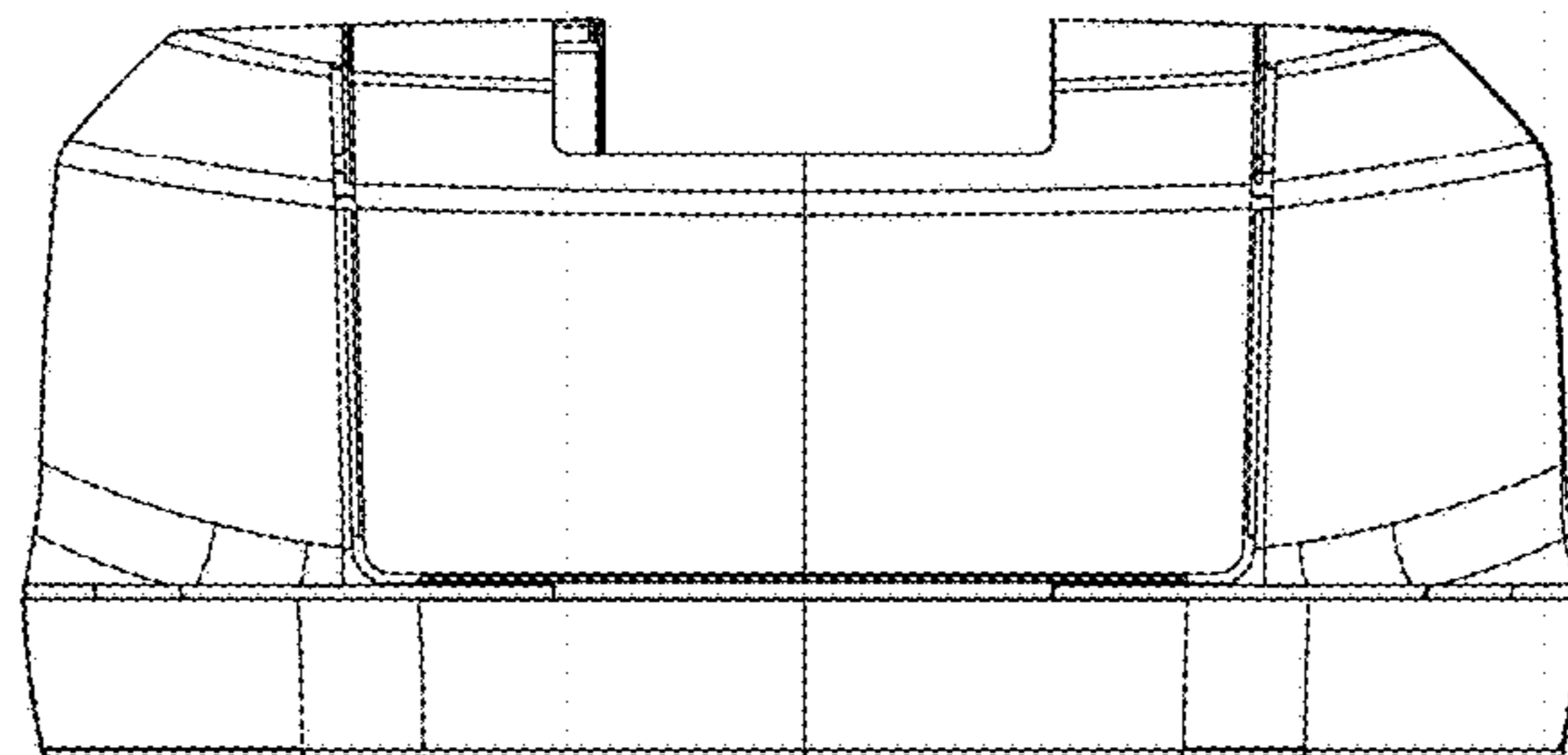


Fig. 5

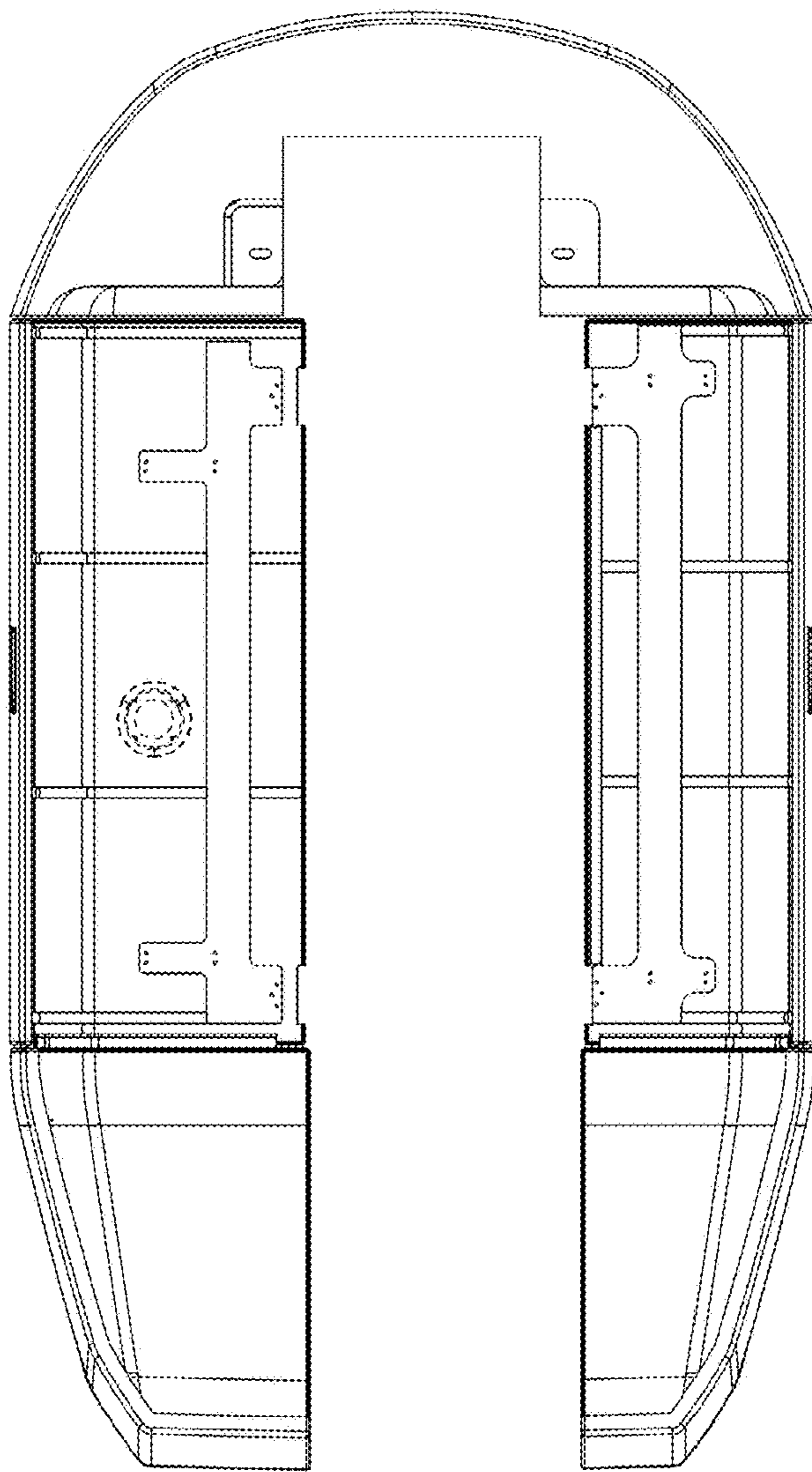


Fig. 6

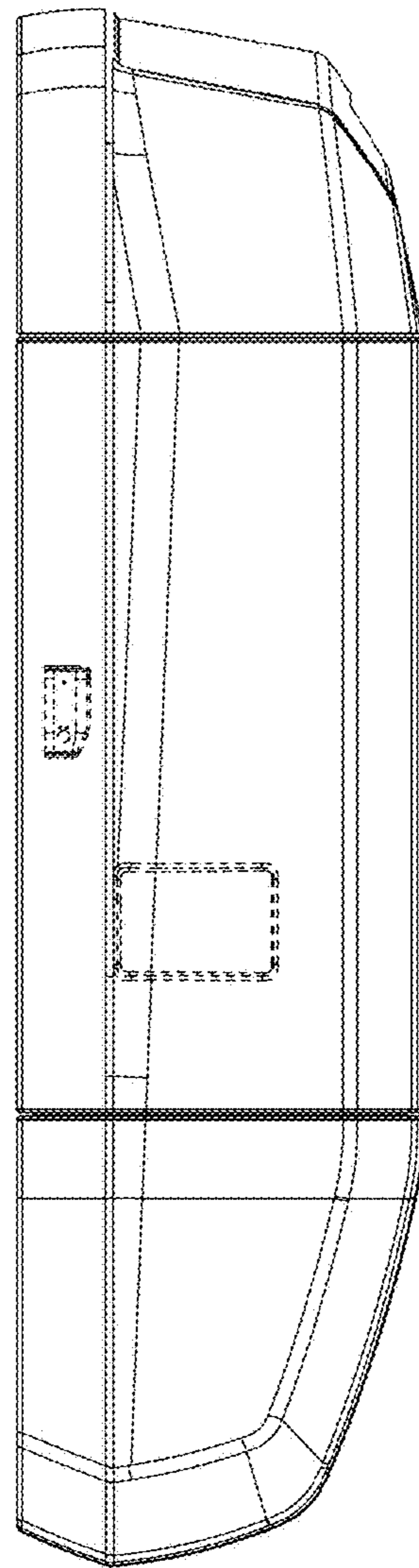


Fig. 7

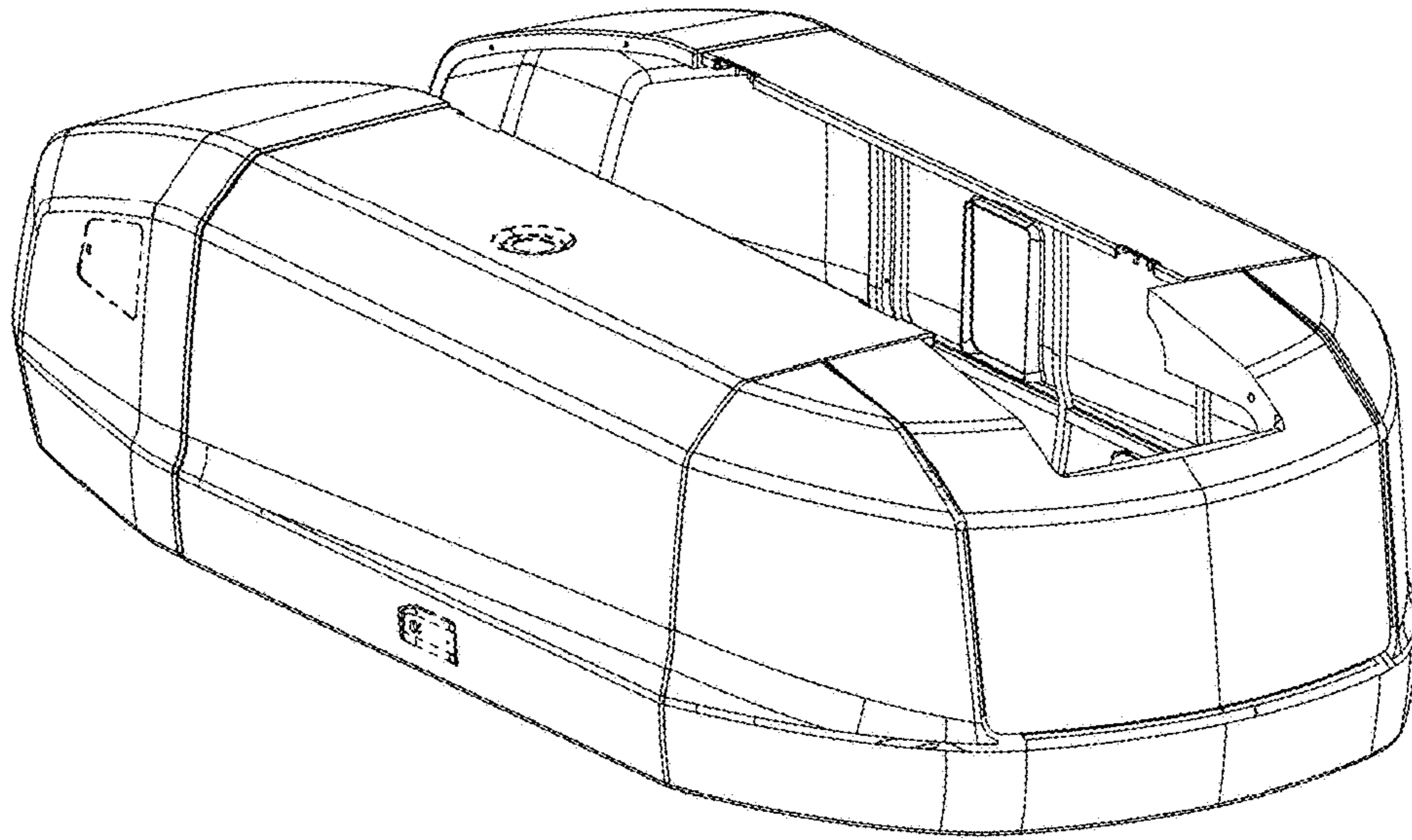


Fig. 8