



US00D846003S

(12) **United States Design Patent**  
**Jilbert et al.**

(10) **Patent No.:** **US D846,003 S**

(45) **Date of Patent:** **\*\* Apr. 16, 2019**

(54) **CANOPY FOR AN AERIAL WORK PLATFORM**

(71) Applicant: **JCB ACCESS LIMITED**, Uttoxeter (GB)

(72) Inventors: **Samuel John Jilbert**, Uttoxeter (GB); **Louis Gospel**, Uttoxeter (GB); **Ben Watson**, Uttoxeter (GB)

(73) Assignee: **JCB ACCESS LIMITED**, Uttoxeter (GB)

(\*\*) Term: **15 Years**

(21) Appl. No.: **29/611,056**

(22) Filed: **Jul. 18, 2017**

(51) **LOC (11) Cl.** ..... **15-03**

(52) **U.S. Cl.**  
USPC ..... **D15/31**

(58) **Field of Classification Search**  
USPC .... D15/10, 22-26, 28, 30, 31, 33; 180/89.1, 180/89.12, 89.13, 900, 9.1, 9.2, 9.62; 37/379; 414/694, 699, 722-724, 660, 414/685, 698, 719, 743  
CPC .. E02F 9/0866; E02F 9/18; E02F 3/32; F01N 13/001; F01N 2590/08  
See application file for complete search history.

(56) **References Cited**

U.S. PATENT DOCUMENTS

D487,575 S *	3/2004	Wetzel	.....	D15/33
D528,568 S *	9/2006	Kuwae	.....	D15/28
D534,552 S *	1/2007	Yanagida	.....	D15/25
D576,182 S *	9/2008	Murakami	.....	D15/28
D715,330 S *	10/2014	Hutchinson	.....	D15/22
D717,346 S *	11/2014	Ishii	.....	D15/28

D725,683 S *	3/2015	Payne	.....	D15/31
D749,150 S *	2/2016	Payne	.....	D15/31
D754,214 S *	4/2016	Payne	.....	D15/31
D767,644 S *	9/2016	Underhill	.....	D15/28
D774,113 S *	12/2016	Underhill	.....	D15/31
D797,159 S *	9/2017	Yeu	.....	D15/28
D797,160 S *	9/2017	Yeu	.....	D15/30

\* cited by examiner

*Primary Examiner* — Mark A Goodwin

(74) *Attorney, Agent, or Firm* — Marshall, Gerstein & Borun LLP

(57) **CLAIM**

The ornamental design for a canopy for an aerial work platform, as shown and described.

**DESCRIPTION**

FIG. 1 is a front, left-side, and top view of a canopy for an aerial work platform, showing the new design.

FIG. 2 is a top plan view of the canopy for an aerial work platform.

FIG. 3 is a right-side elevation view of the canopy for an aerial work platform.

FIG. 4 is a front elevation view of the canopy for an aerial work platform.

FIG. 5 is a rear elevation view of the canopy for an aerial work platform.

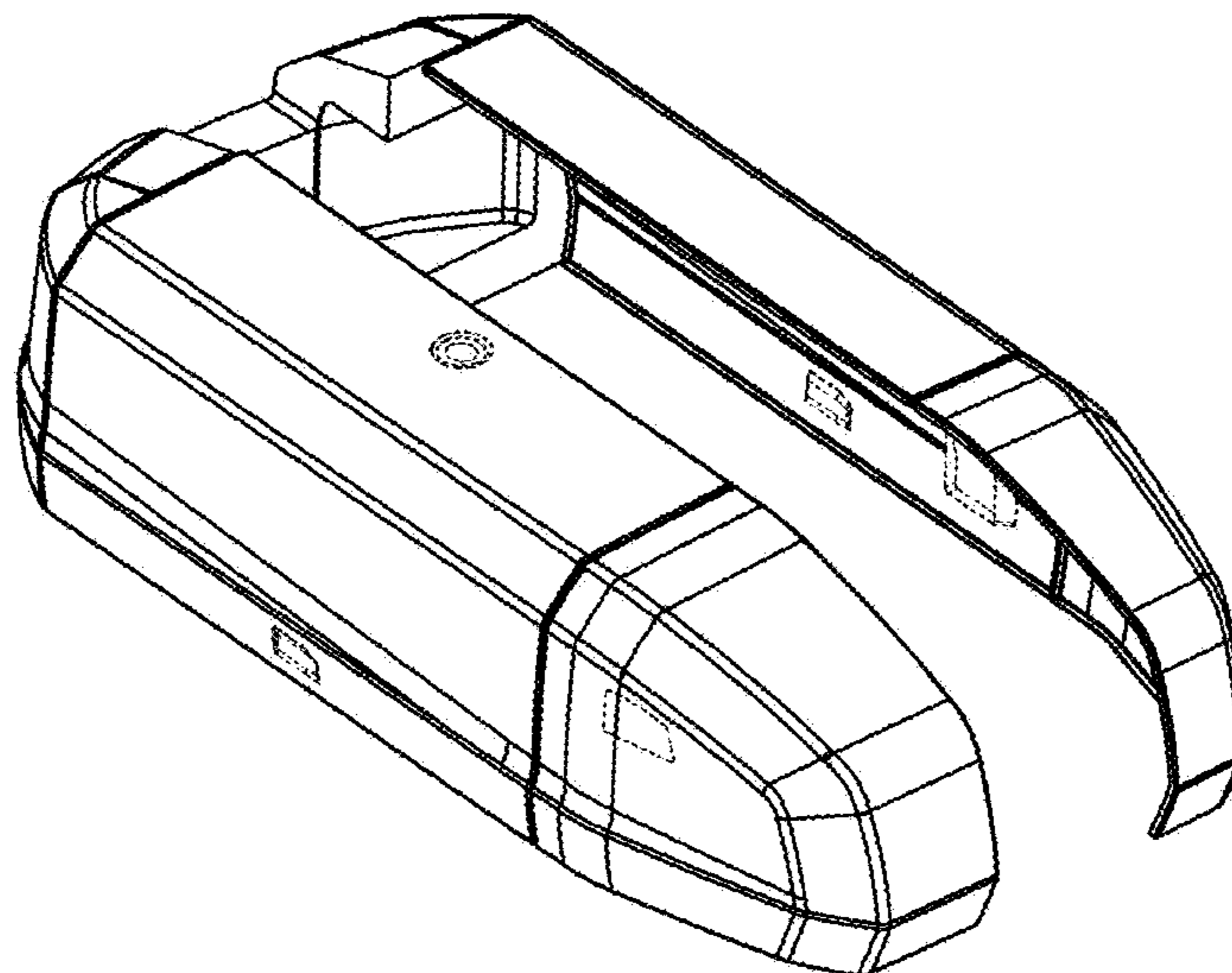
FIG. 6 is an underside plan view of the canopy for an aerial work platform.

FIG. 7 is a left-side elevation view of the canopy for an aerial work platform; and,

FIG. 8 is a right-side, back, and top view of the canopy for an aerial work platform.

The broken lines show unclaimed elements of the canopy for an aerial work platform and do not form part of the claimed design.

**1 Claim, 5 Drawing Sheets**



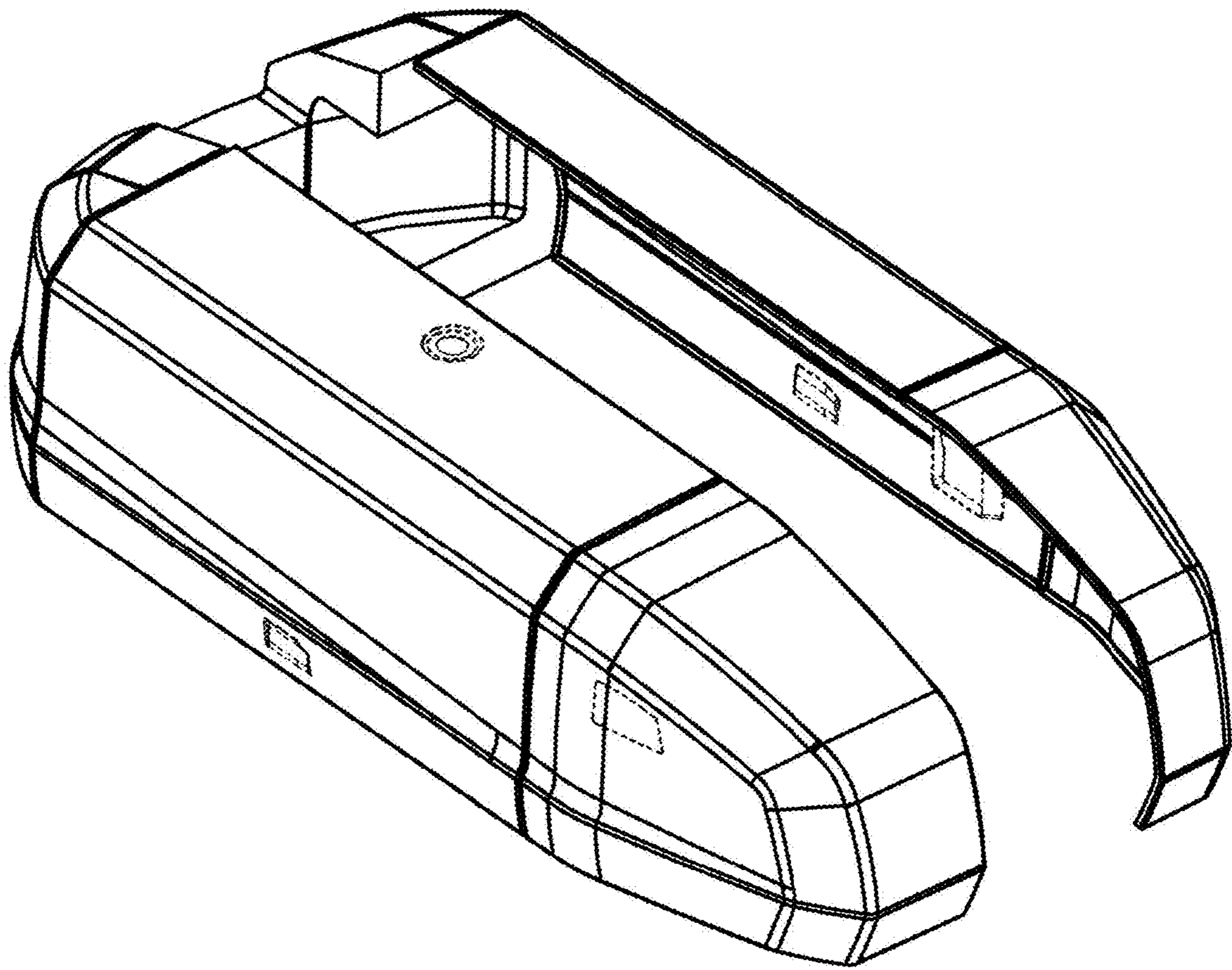


Fig. 1

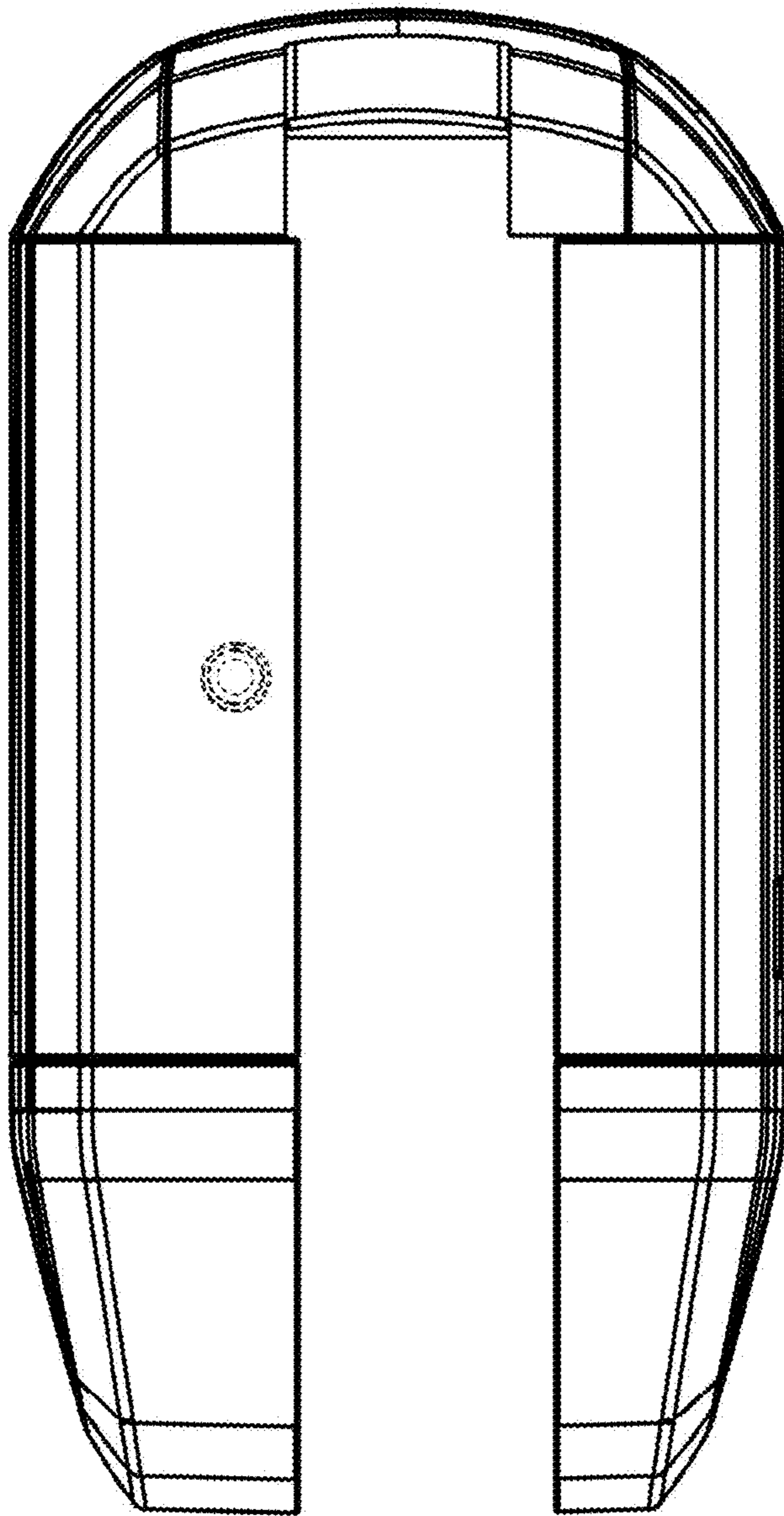


Fig. 2

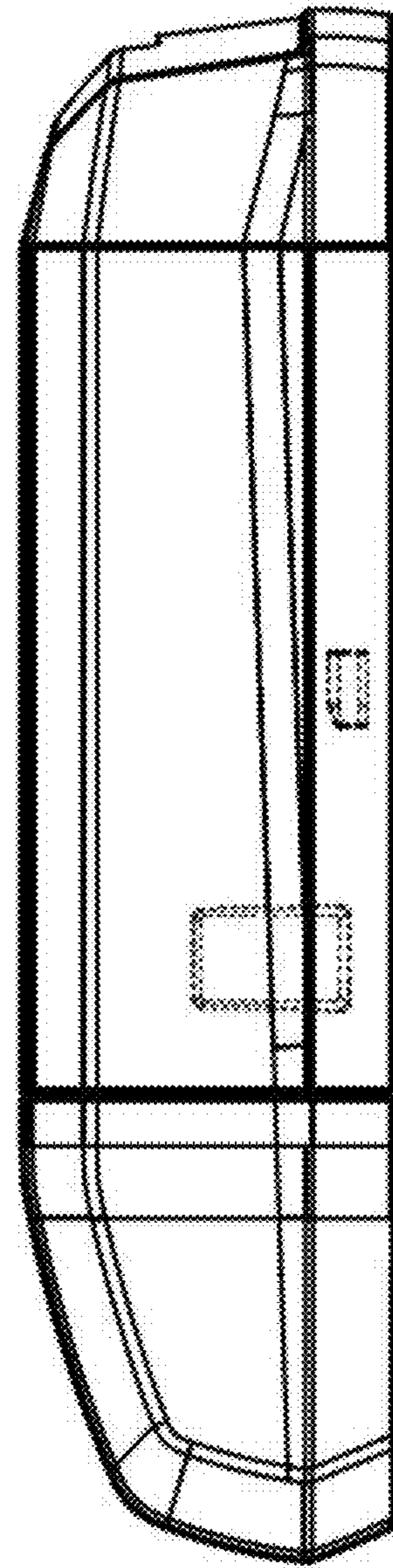


Fig. 3

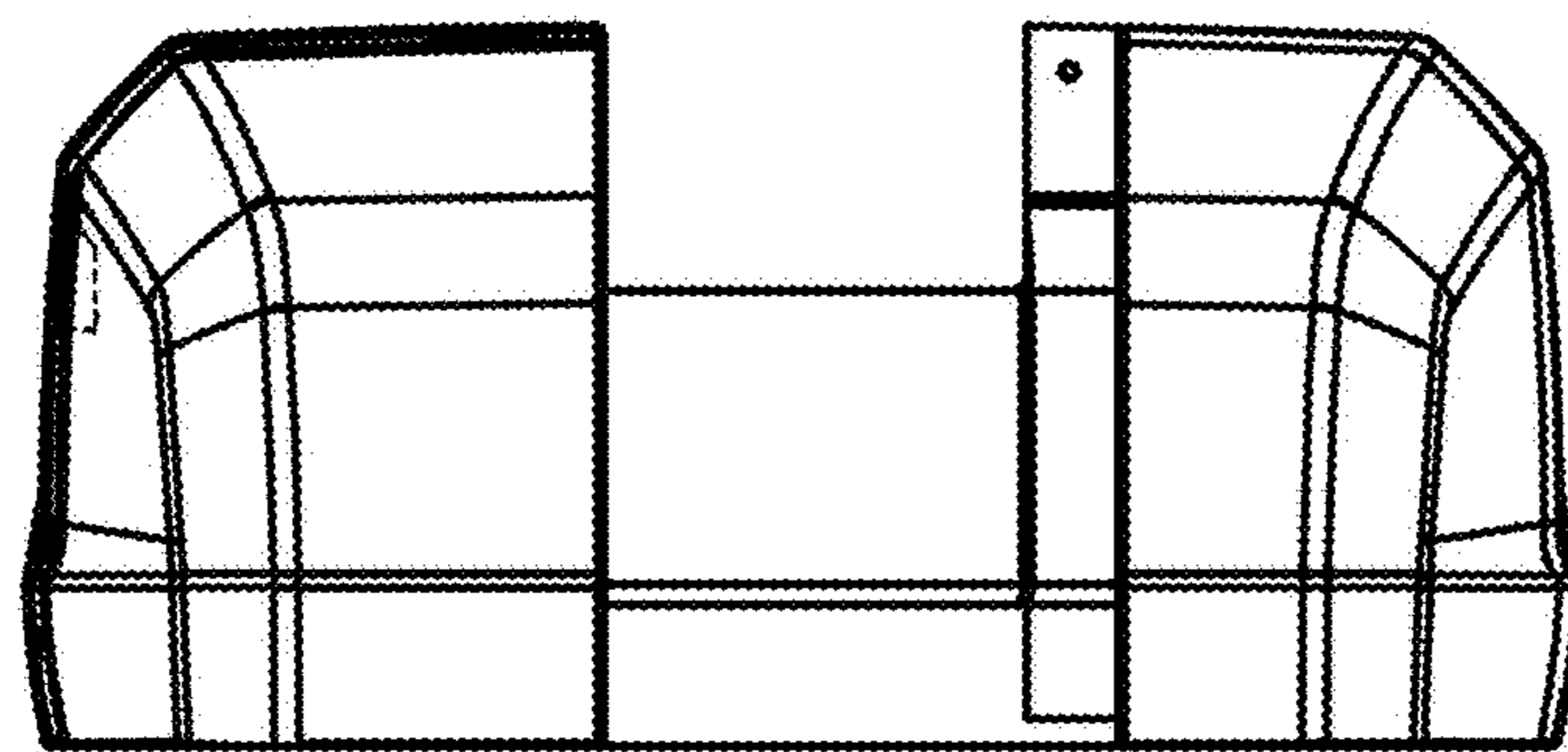


Fig. 4

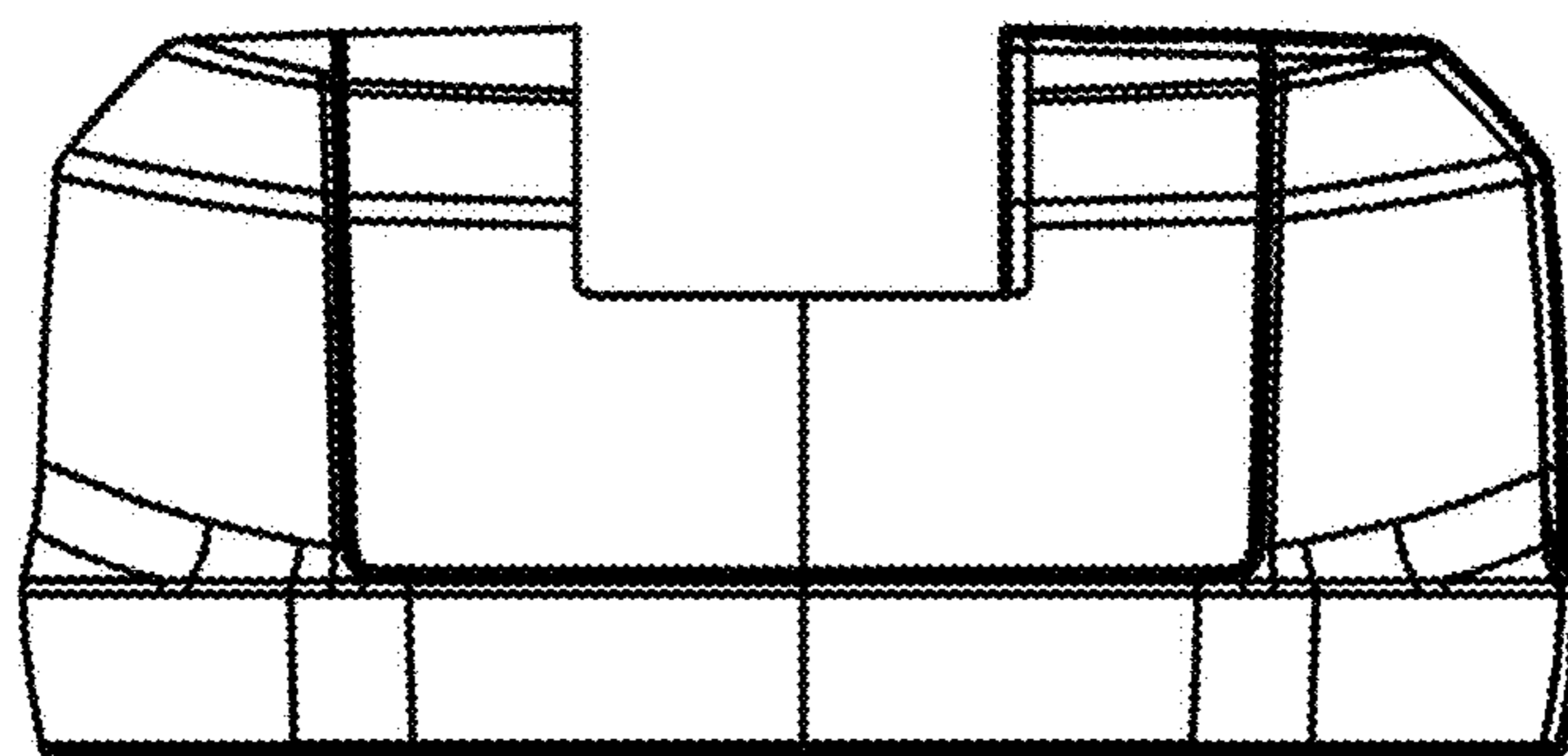


Fig. 5

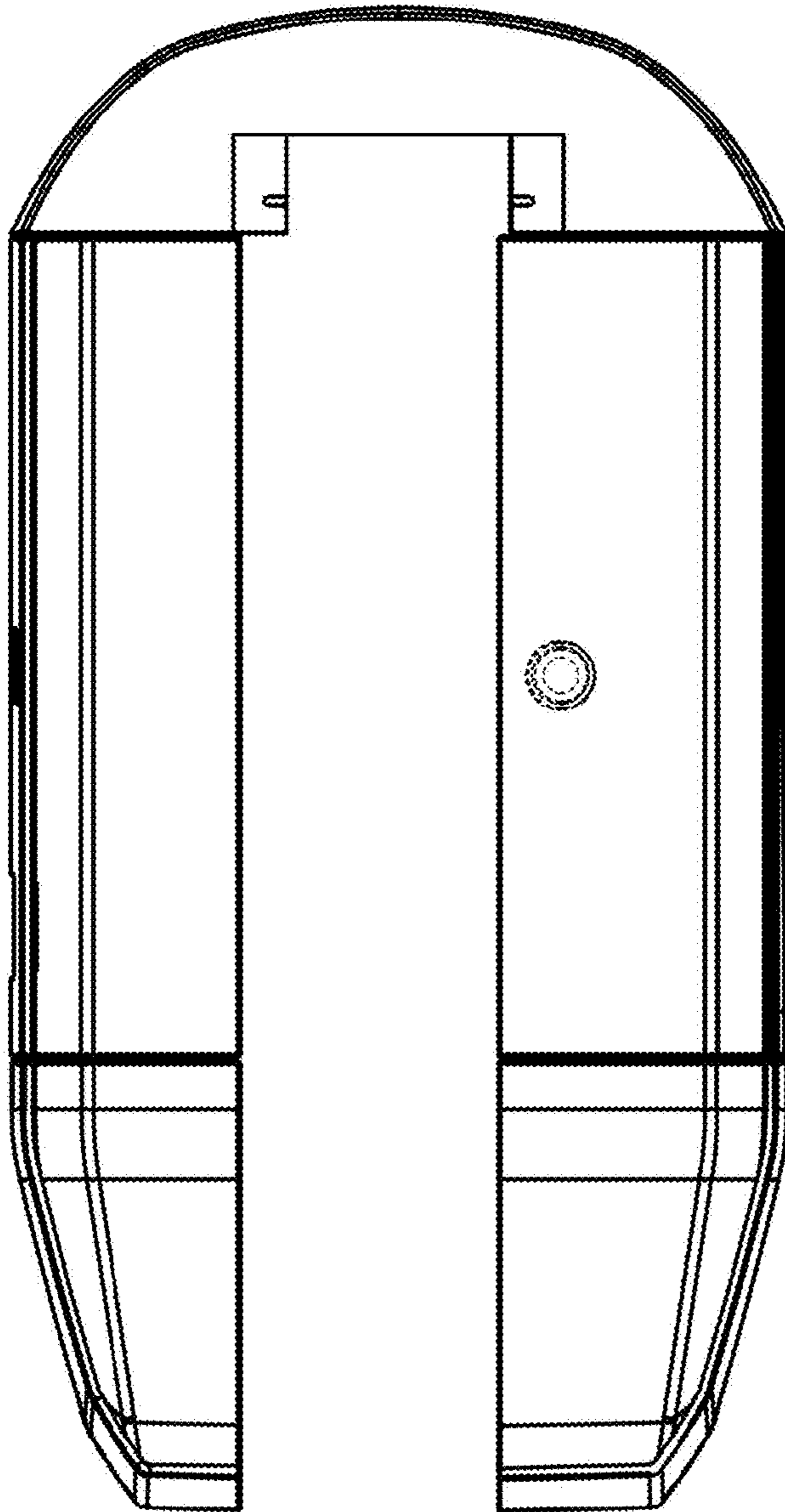


Fig. 6

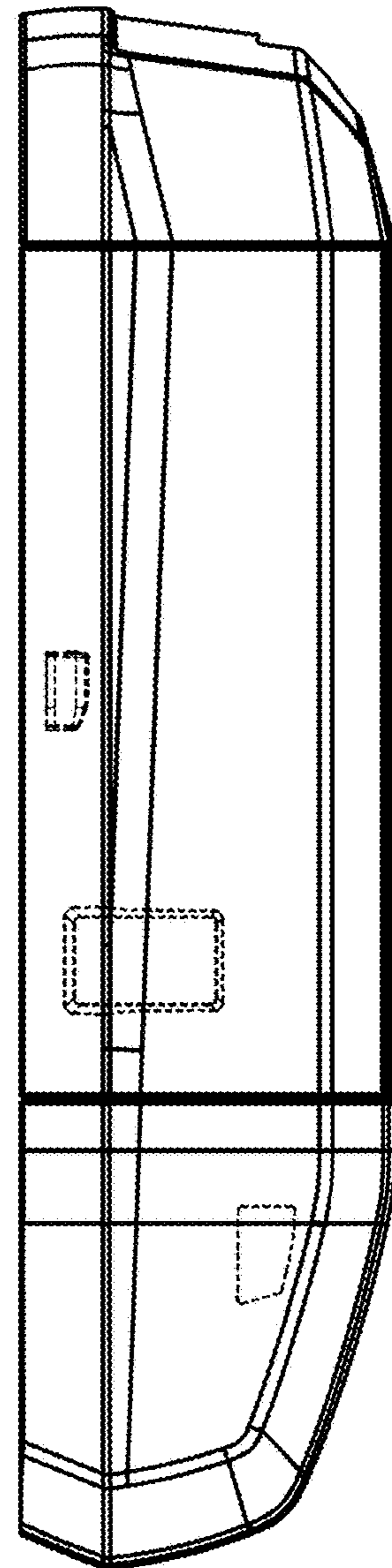


Fig. 7

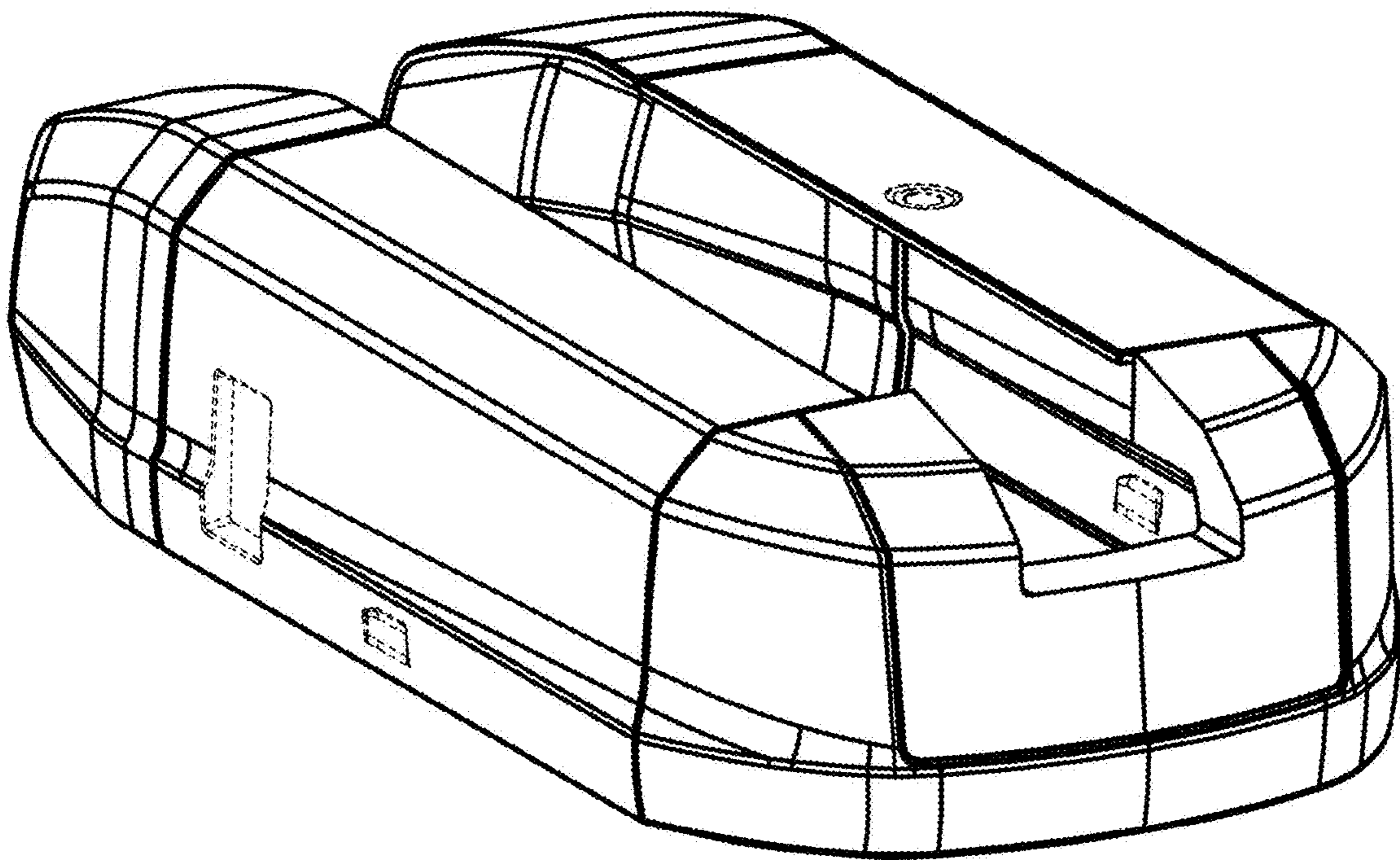


Fig. 8