



US00D846002S

(12) **United States Design Patent**
Bjerke et al.

(10) **Patent No.:** **US D846,002 S**
(45) **Date of Patent:** **** Apr. 16, 2019**

(54) **CUTTING EDGE FOR A GROUND
ENGAGING MACHINE IMPLEMENT**

(71) Applicant: **Caterpillar Inc.**, Deerfield, IL (US)

(72) Inventors: **Nathan Bjerke**, Peoria, IL (US);
Thomas Marshall Congdon, Dunlap,
IL (US)

(73) Assignee: **Caterpillar Inc.**, Deerfield, IL (US)

(**) Term: **15 Years**

(21) Appl. No.: **29/642,436**

(22) Filed: **Mar. 29, 2018**

(51) **LOC (11) Cl.** **15-03**

(52) **U.S. Cl.**
USPC **D15/29**

(58) **Field of Classification Search**
USPC D15/11, 21, 28, 32
CPC E01H 5/06-5/062; E02F 3/76-3/848; E02F
3/08; E02F 3/8157; E02F 3/8152; E02F
9/2883; E02F 9/2858

See application file for complete search history.

(56) **References Cited**

U.S. PATENT DOCUMENTS

3,685,177	A *	8/1972	Hahn	E02F 9/2833 37/446
3,864,853	A *	2/1975	Klett	E02F 9/2841 172/753
4,231,173	A *	11/1980	Davis	E02F 9/2825 172/762
D263,233	S *	3/1982	van der Lely	D15/29
D268,344	S *	3/1983	Ronck	D15/29
4,501,079	A *	2/1985	Hahn	E02F 9/2841 172/701.3
D299,348	S *	1/1989	Nja	D15/11
D326,460	S *	5/1992	Anderson	D15/29
5,121,562	A *	6/1992	Feller	E02F 3/80 37/232

5,148,616	A *	9/1992	Maguina-Larco	E02F 9/2825 299/103
D365,577	S *	12/1995	Ruvang	D15/29
5,515,623	A *	5/1996	Weeks	E01H 5/066 239/159
D395,436	S *	6/1998	Hagenbuch	D15/32
5,924,270	A *	7/1999	Bruns	A01D 75/20 56/119
D477,610	S *	7/2003	Matsumoto	D15/11
D478,097	S *	8/2003	Vennard	D15/11
D522,536	S *	6/2006	Oh	D15/29
D541,311	S *	4/2007	Oh	D15/29
7,266,914	B2 *	9/2007	Grant	E02F 3/40 37/444

(Continued)

OTHER PUBLICATIONS

U.S. Appl. No. 15/939,692, filed Mar. 29, 2018. (Unpublished).

Primary Examiner — Mark A Goodwin

(74) *Attorney, Agent, or Firm* — Saidman Design Law Group

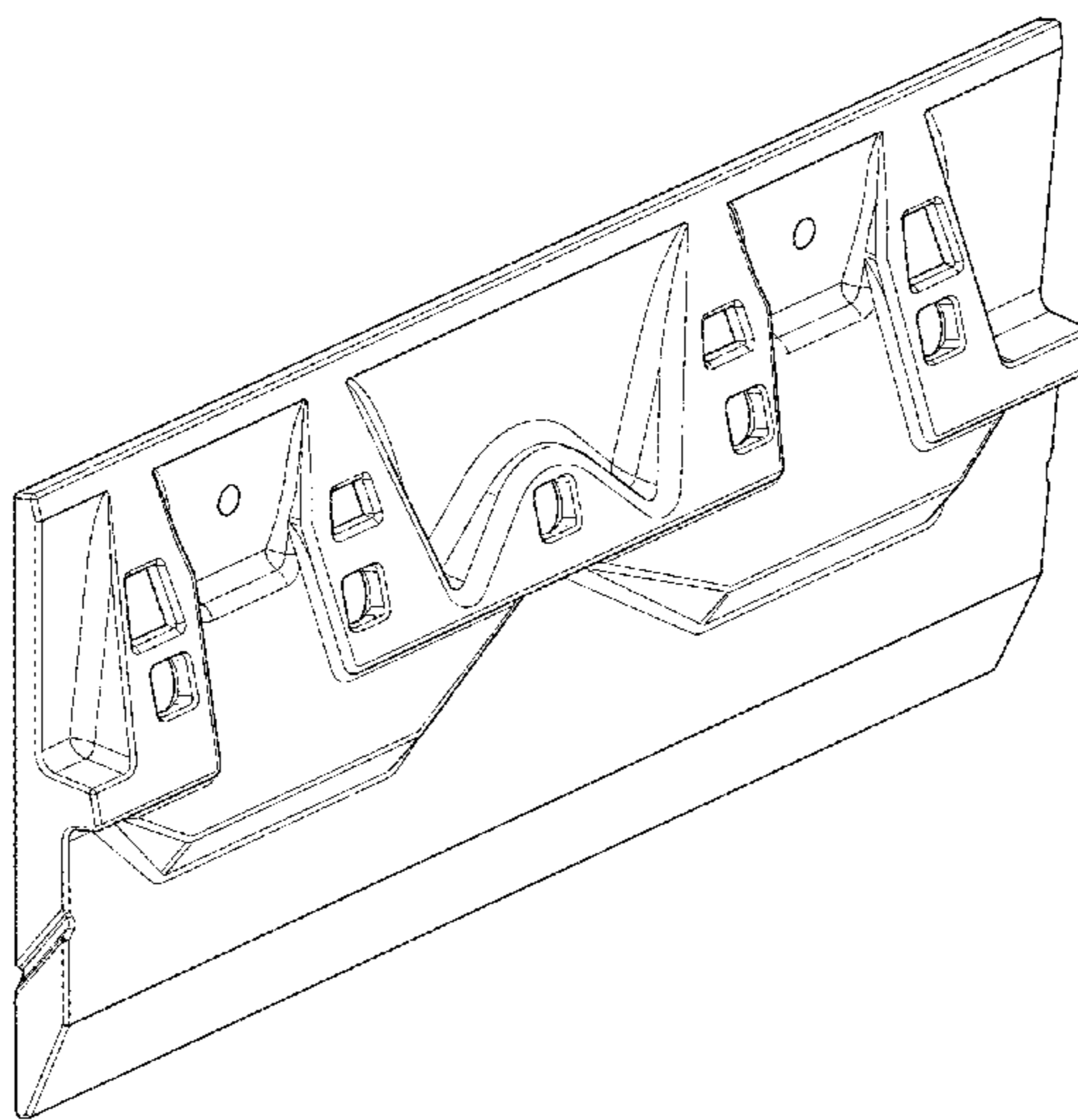
(57) **CLAIM**

The ornamental design for a cutting edge for a ground engaging machine implement, as shown and described.

DESCRIPTION

FIG. 1 is a perspective view of a cutting edge for a ground engaging machine implement showing our new design; FIG. 2 is a front view thereof; FIG. 3 is a rear view thereof; FIG. 4 is a right side view thereof; FIG. 5 is a left side view thereof; FIG. 6 is a top view thereof; and, FIG. 7 is a bottom view thereof. The drawings include CAD lines that represent contour and not surface decoration.

1 Claim, 6 Drawing Sheets



(56)

References Cited

U.S. PATENT DOCUMENTS

7,401,658	B2 *	7/2008	Matsumoto	E02F 3/7613 172/811
7,536,811	B2 *	5/2009	McClanahan	E02F 9/2833 37/455
7,793,444	B2 *	9/2010	Jones	E02F 9/2825 37/453
D624,943	S *	10/2010	Gibbon	D15/29
D629,425	S *	12/2010	Morin	D15/11
8,191,288	B2 *	6/2012	Weagley	E01H 5/06 172/702
D728,637	S *	5/2015	Kunz	D15/28
D749,147	S *	2/2016	Kunz	D15/28
D749,151	S *	2/2016	McAdam	D15/32
9,404,240	B2 *	8/2016	Kunz	E02F 9/2883
D790,601	S *	6/2017	Balan	D15/28
D792,913	S *	7/2017	Guggino	D15/32
D805,112	S *	12/2017	Serrurier	D15/29
D806,140	S *	12/2017	Serrurier	D15/29
D806,759	S *	1/2018	Serrurier	D15/29
D824,962	S *	8/2018	Winter	D15/11
2009/0282706	A1 *	11/2009	Barker	E01H 5/061 37/196
2016/0032567	A1	2/2016	Congdon	
2017/0191236	A1	7/2017	Winter	
2017/0284045	A1 *	10/2017	Holman	E01H 5/062

* cited by examiner

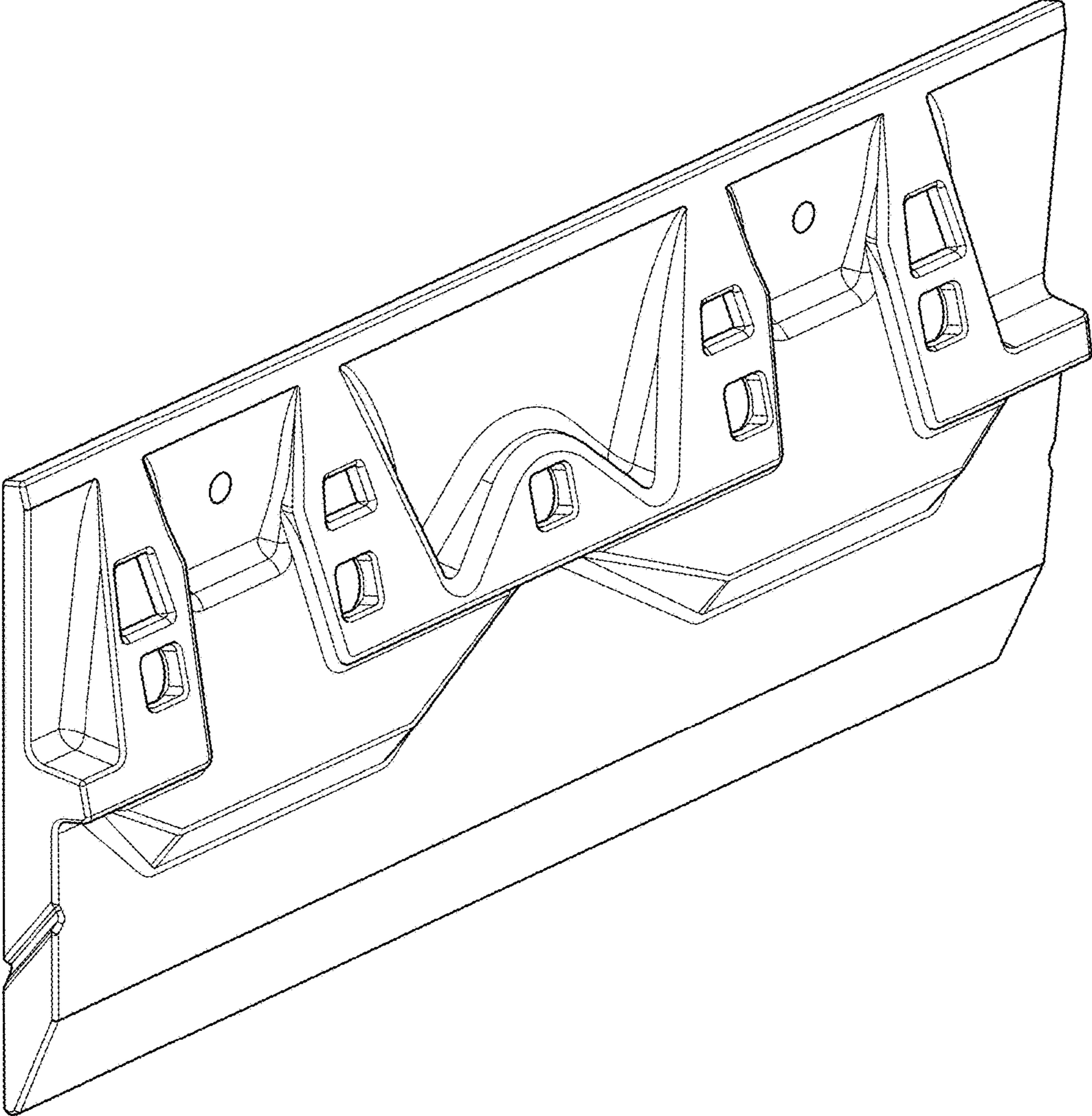


FIG. 1

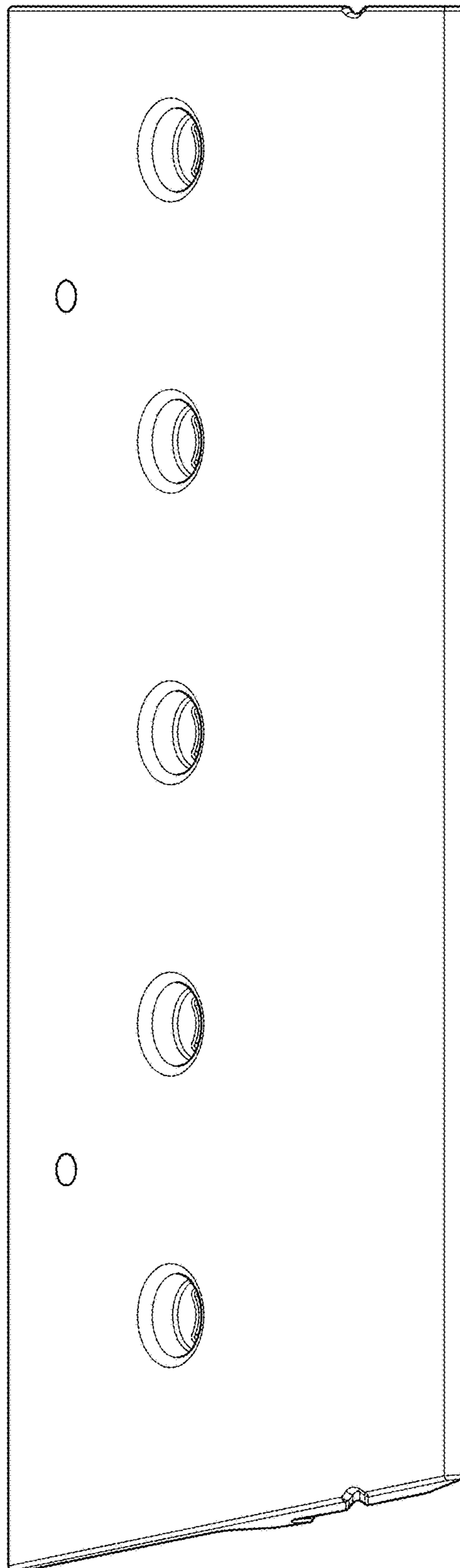


FIG. 2

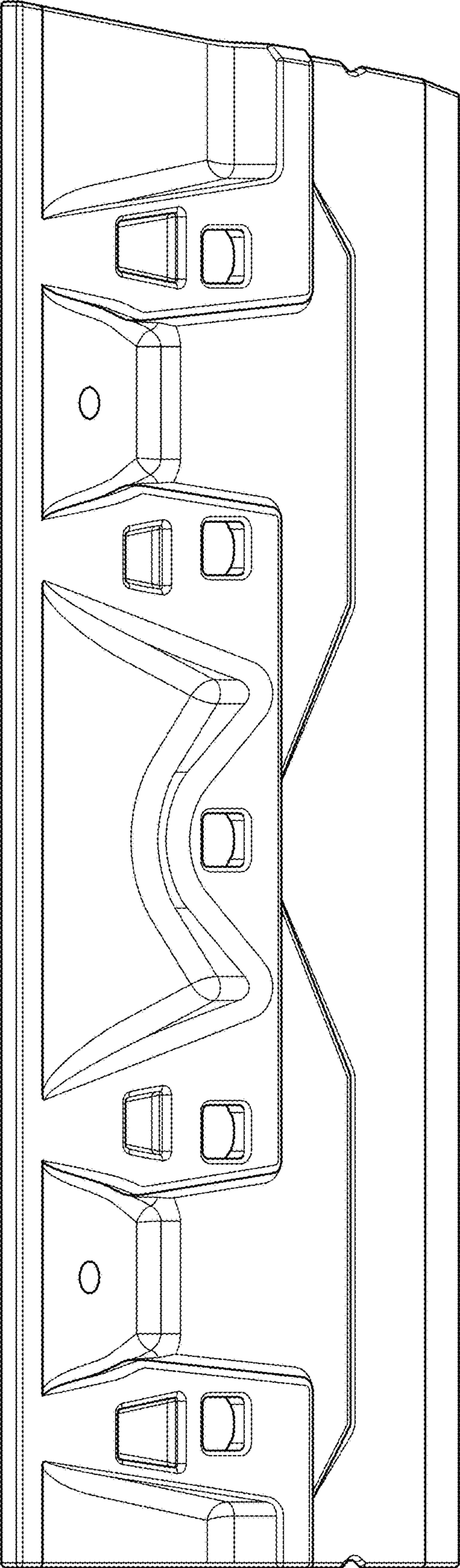


FIG. 3

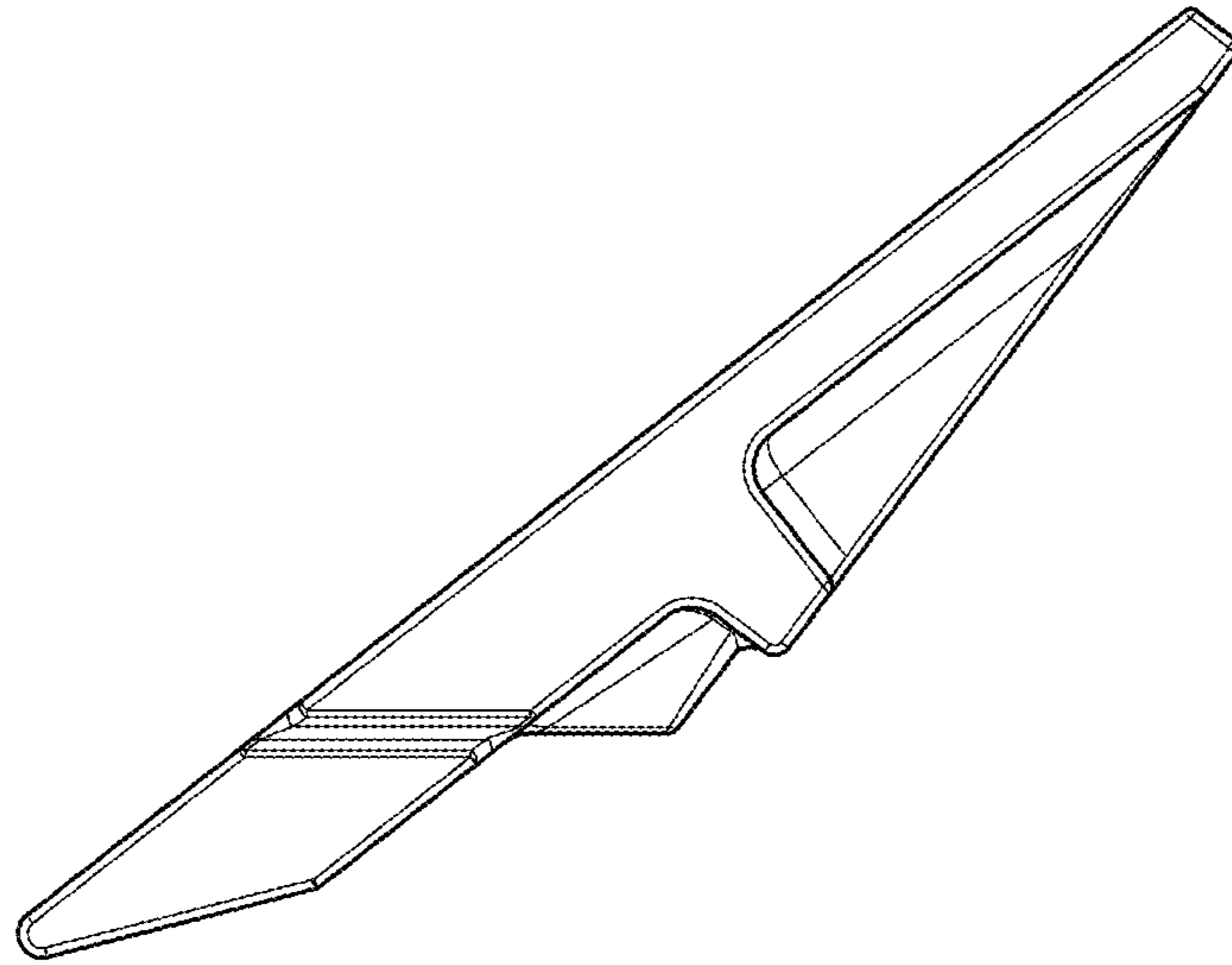


FIG. 4

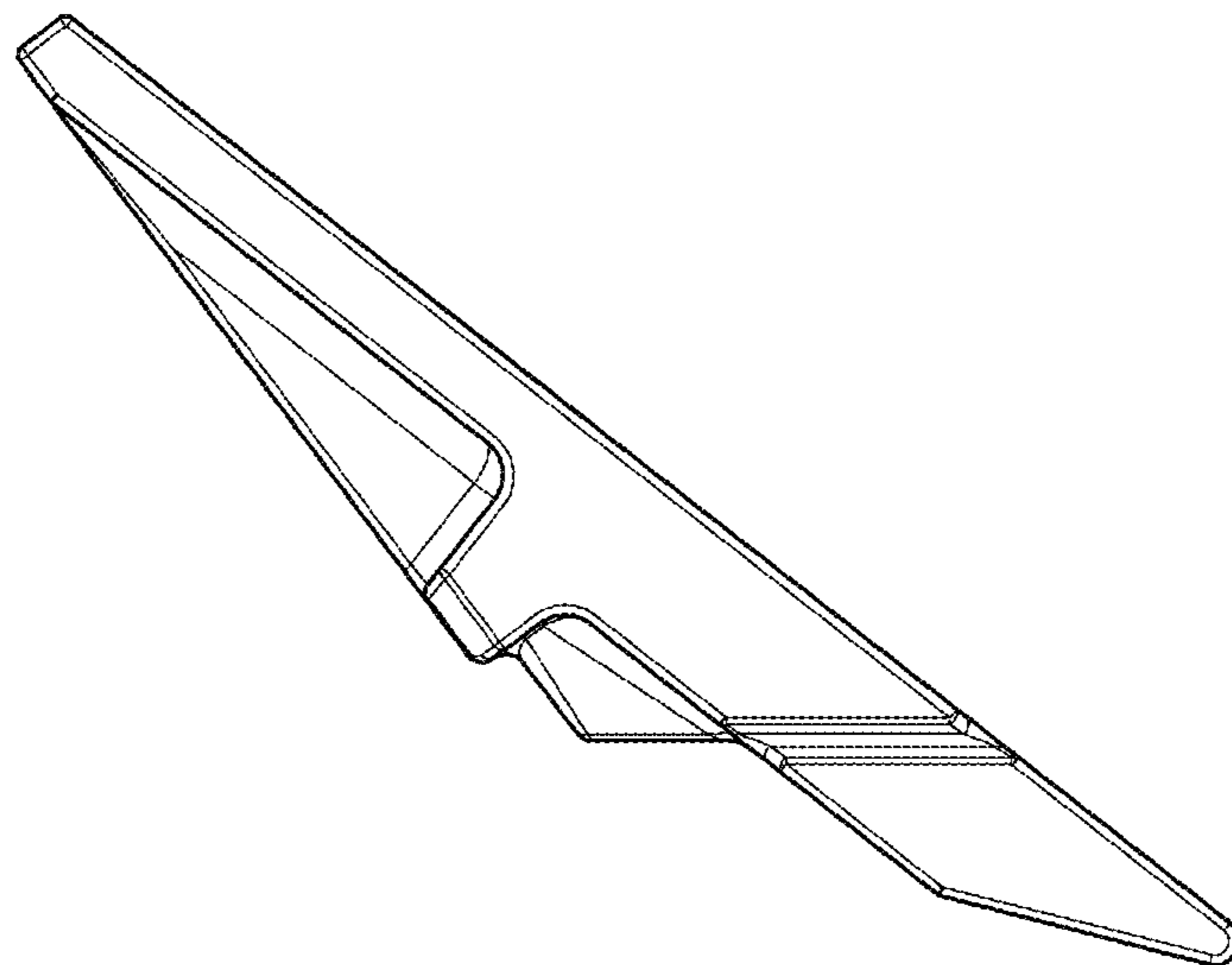


FIG. 5

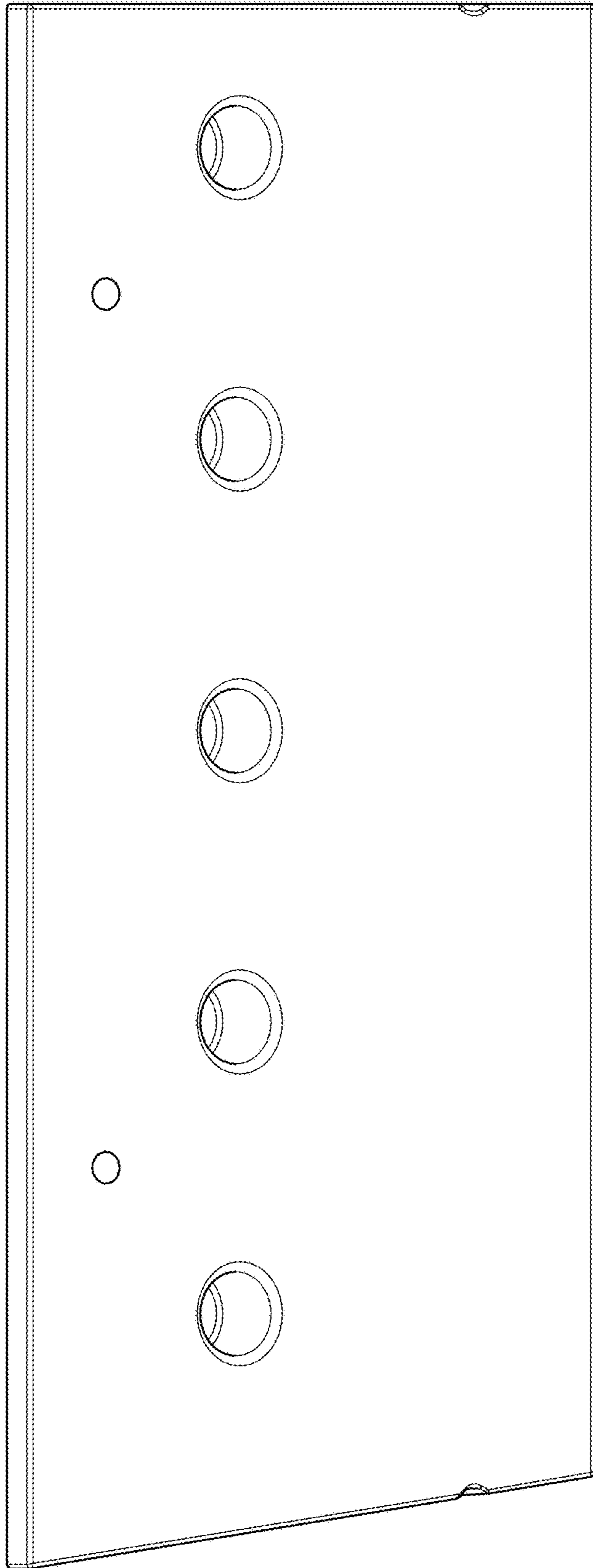


FIG. 6

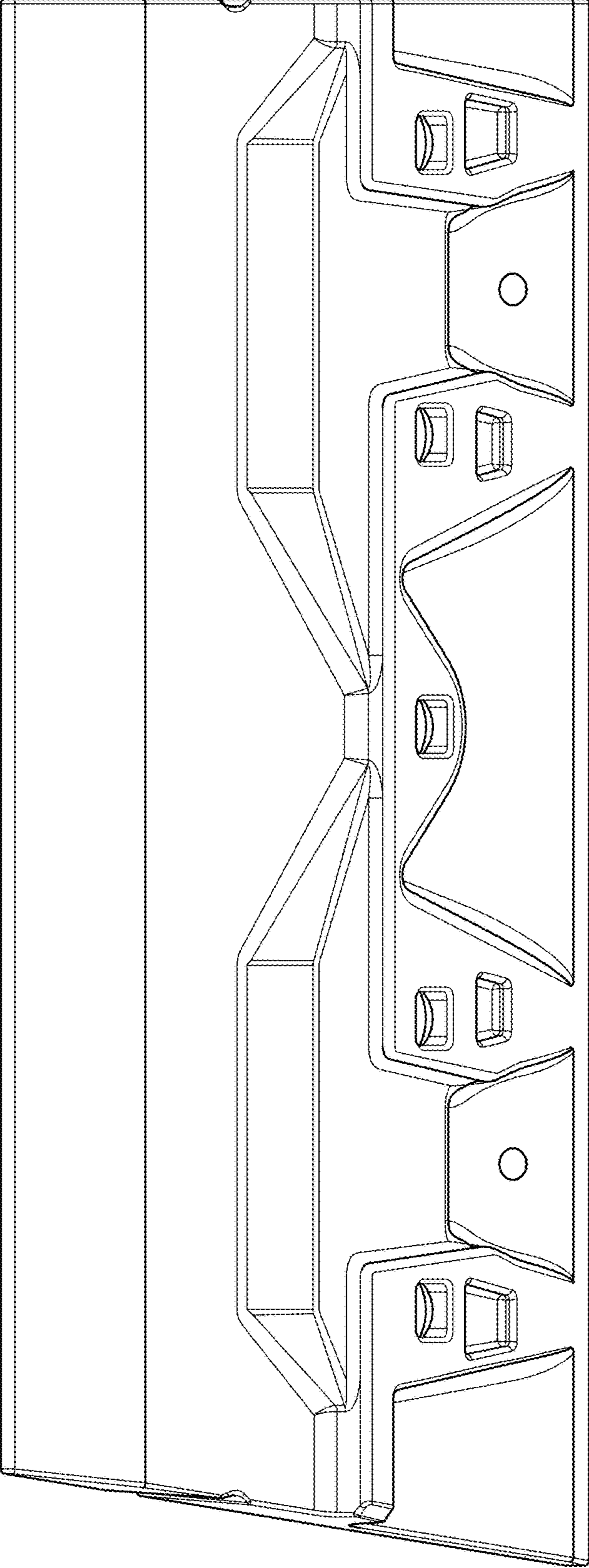


FIG. 7