



US00D846001S

(12) **United States Design Patent** (10) **Patent No.:** **US D846,001 S**
Lagas et al. (45) **Date of Patent:** **** Apr. 16, 2019**

(54) **DISCHARGE OR SUCTION CASING OF A RING SECTION PUMP**

(71) Applicant: **Sulzer Management AG**, Winterthur (CH)

(72) Inventors: **Nicolas Lagas**, Leutenheim (FR); **Markus Heinzerling**, Stutensee-Friedrichstal (DE); **Susanne Ahl**, Rauenberg (DE)

(73) Assignee: **SULZER MANAGEMENT AG**, Winterthur (CH)

(**) Term: **15 Years**

(21) Appl. No.: **29/606,878**

(22) Filed: **Jun. 8, 2017**

(30) **Foreign Application Priority Data**

Dec. 22, 2016 (EM) 003533215

(51) **LOC (11) Cl.** **15-02**

(52) **U.S. Cl.**
USPC **D15/7**

(58) **Field of Classification Search**

USPC D15/7-9; D23/231, 232, 225; 417/60, 417/235, 265, 321, 355, 358, 363, 359, 417/410.1, 415-416, 405, 900, 269, 539; 60/408, 412; 184/26-37; 415/140-147; 123/495, 509; 137/565.34
CPC F02M 37/04; F02M 37/14; F04B 53/92; F04B 1/005; F04D 13/06; F04D 29/22; F04D 29/046; F04D 29/2266

See application file for complete search history.

(56) **References Cited**

U.S. PATENT DOCUMENTS

D384,677 S * 10/1997 Wunner D15/7
D586,825 S * 2/2009 Cantrill D15/7

D604,747 S * 11/2009 Hodge D15/9
D641,379 S * 7/2011 Milojevic D15/7
D641,380 S * 7/2011 Milojevic D15/7
D641,381 S * 7/2011 Milojevic D15/7
D667,025 S * 9/2012 Wunner D15/7
D704,748 S * 5/2014 Beers D15/7
D769,330 S * 10/2016 Park D15/7
D769,331 S * 10/2016 Park D15/7
D780,226 S * 2/2017 Nelson D15/7
D789,422 S * 6/2017 Theiss D15/7
D807,924 S * 1/2018 Wilkie D15/7

* cited by examiner

Primary Examiner — Ralf Seifert

(74) *Attorney, Agent, or Firm* — Global IP Counselors, LLP

(57) **CLAIM**

The ornamental design for a discharge or suction casing of a ring section pump, as shown and described.

DESCRIPTION

FIG. 1 is a front perspective view of a discharge or suction casing of a ring section pump in accordance with our new design;

FIG. 2 is a front view thereof;

FIG. 3 is a back view thereof;

FIG. 4 is a left side view thereof;

FIG. 5 is a right side view thereof;

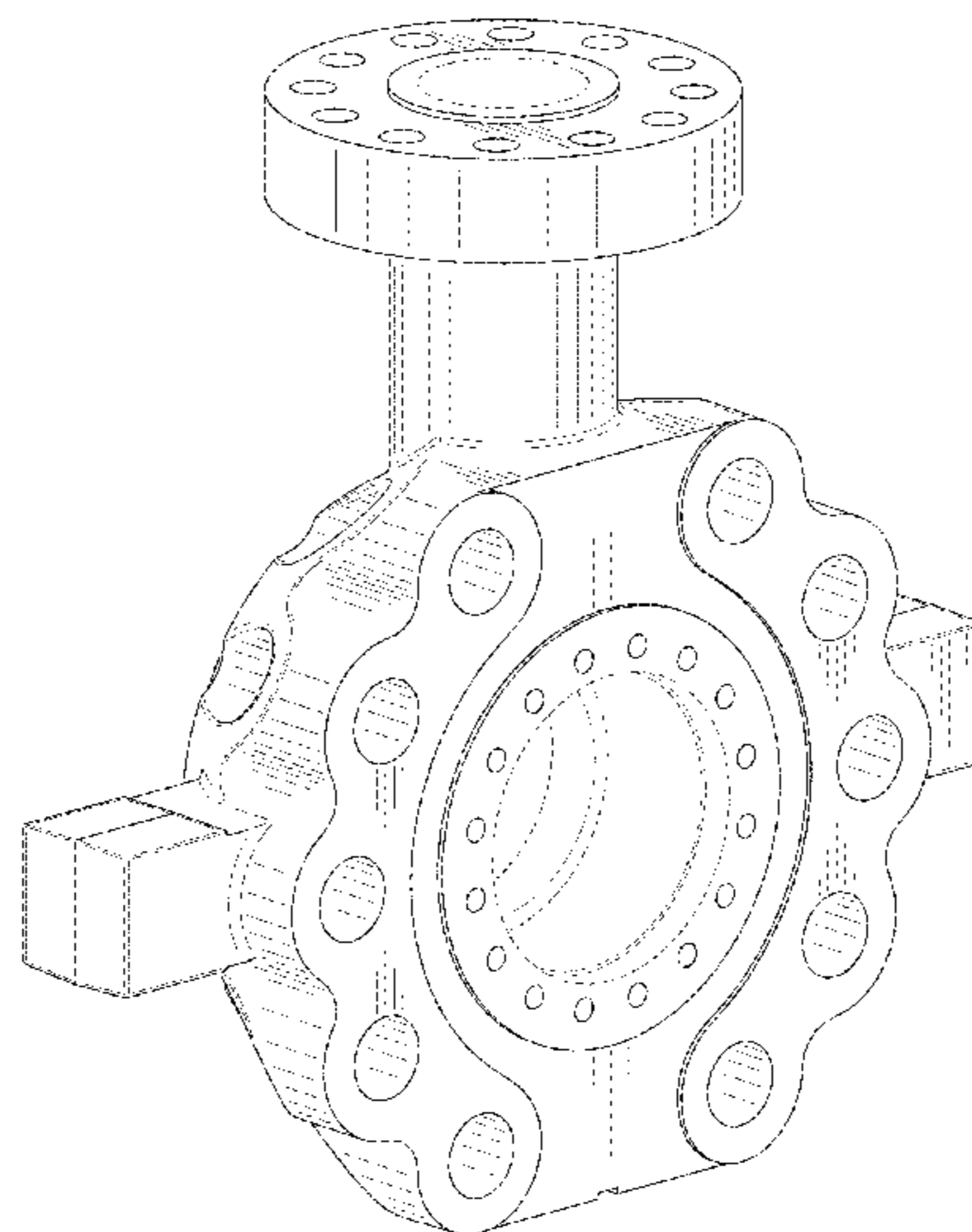
FIG. 6 is a top view thereof; and,

FIG. 7 is a bottom view thereof.

The contour lines depict illustration only, and form no part of the claimed design.

The broken lines are included for the purpose of illustrating portions of the discharge or suction casing of a ring section pump that form no part of the claimed design.

1 Claim, 7 Drawing Sheets



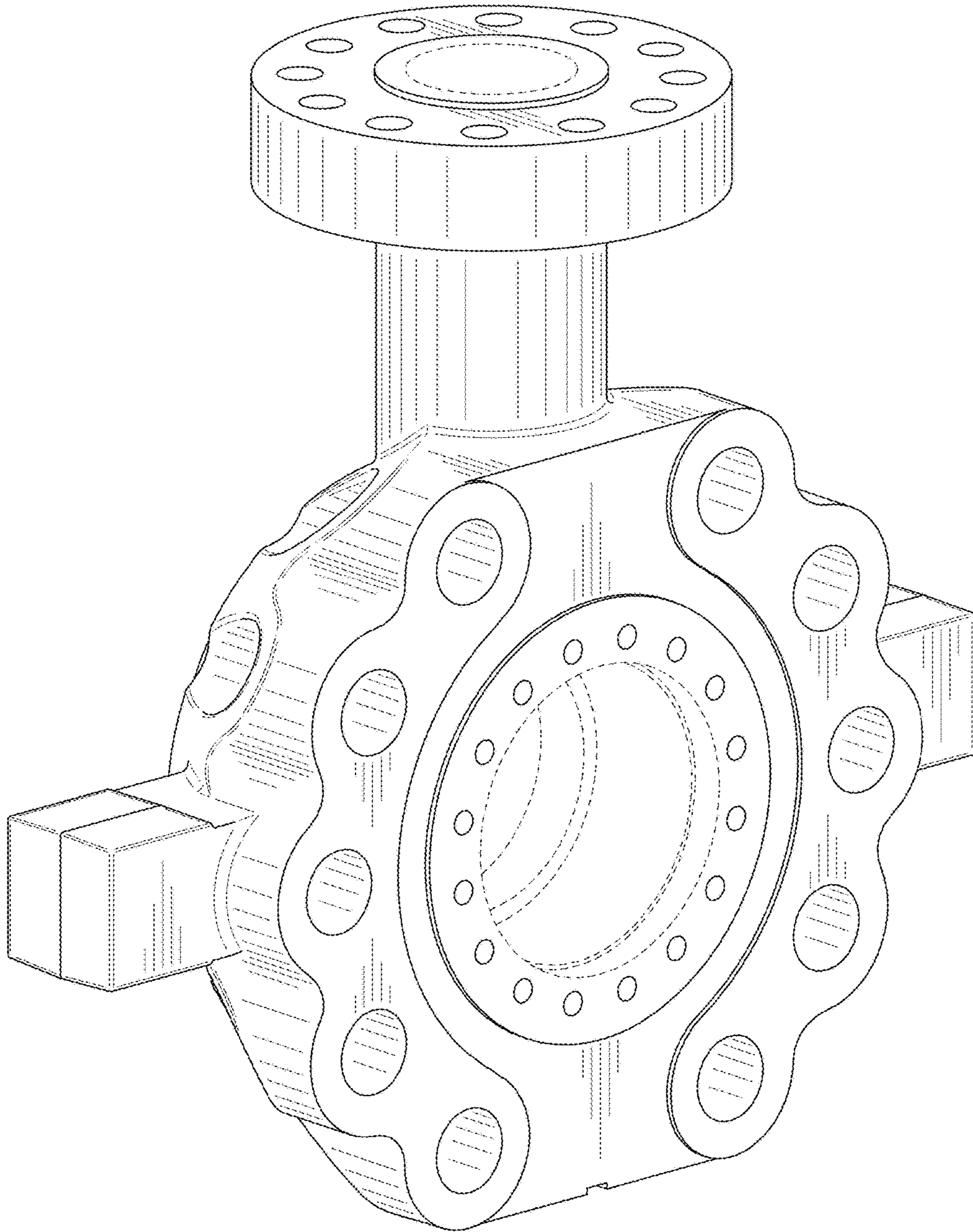


FIG. 1

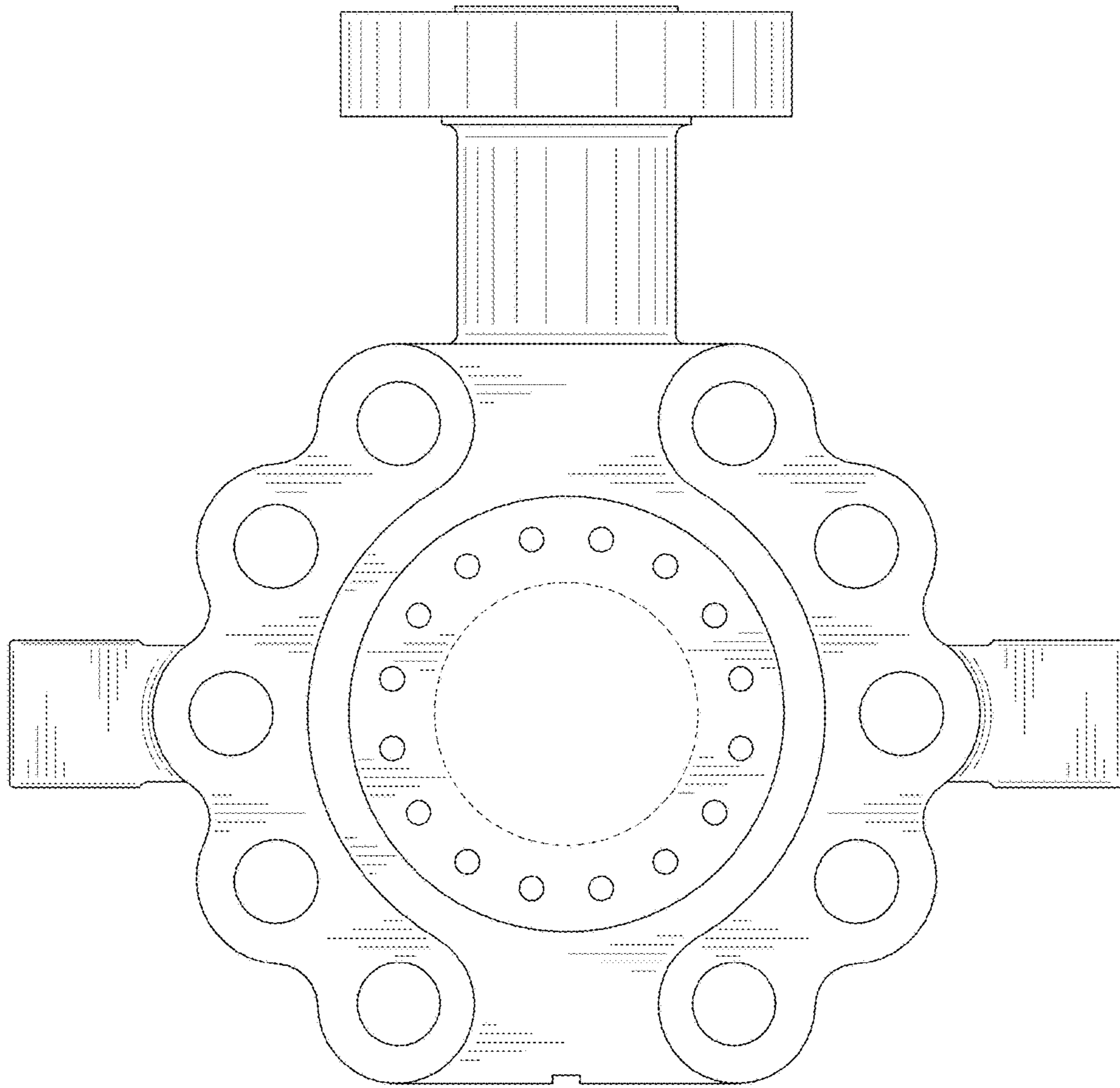


FIG. 2

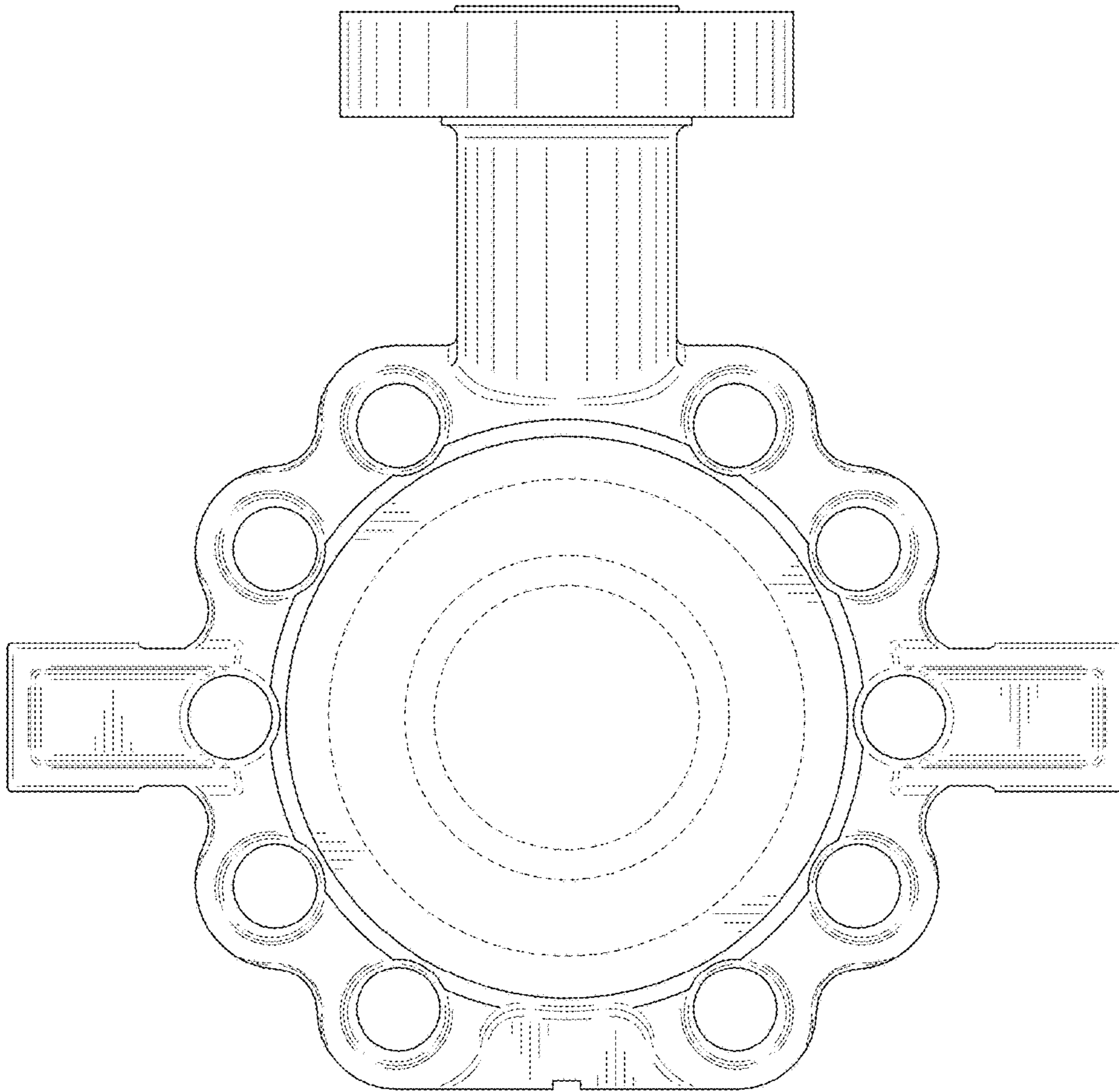


FIG. 3

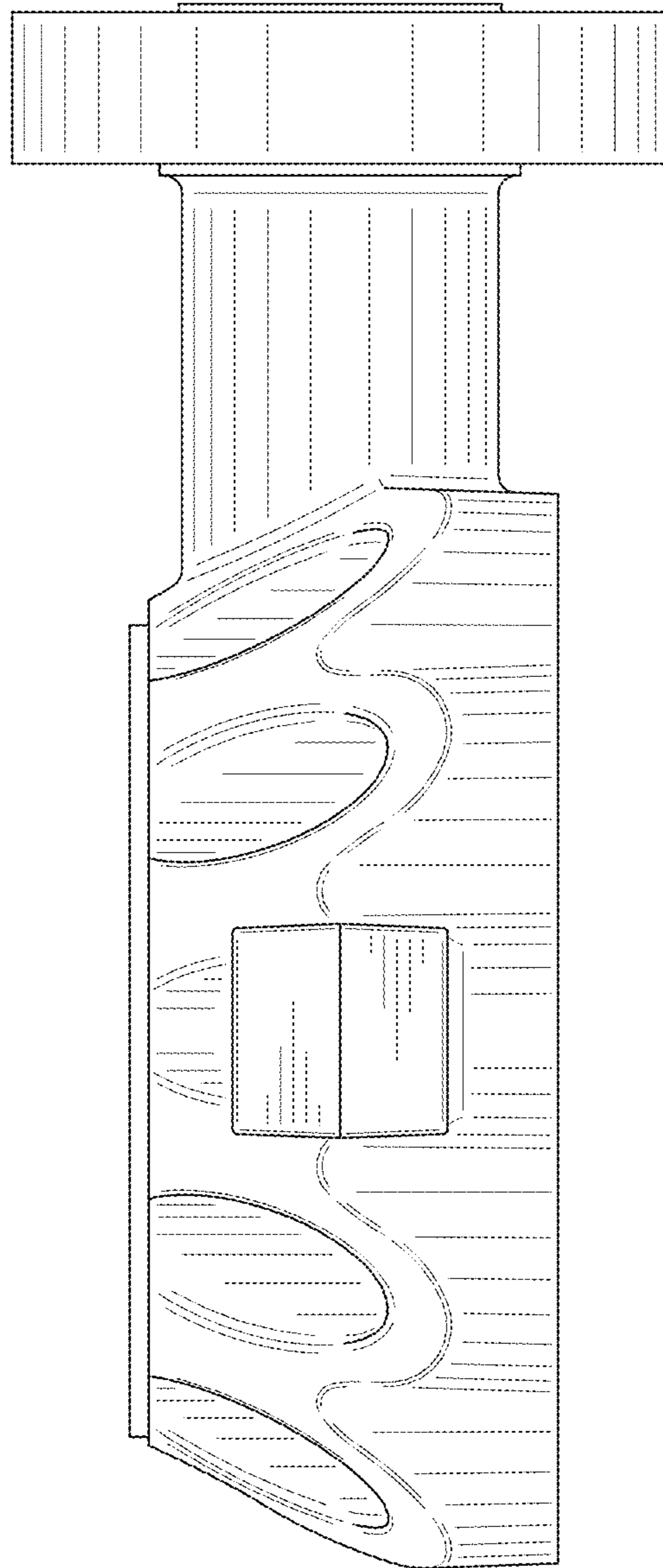


FIG. 4

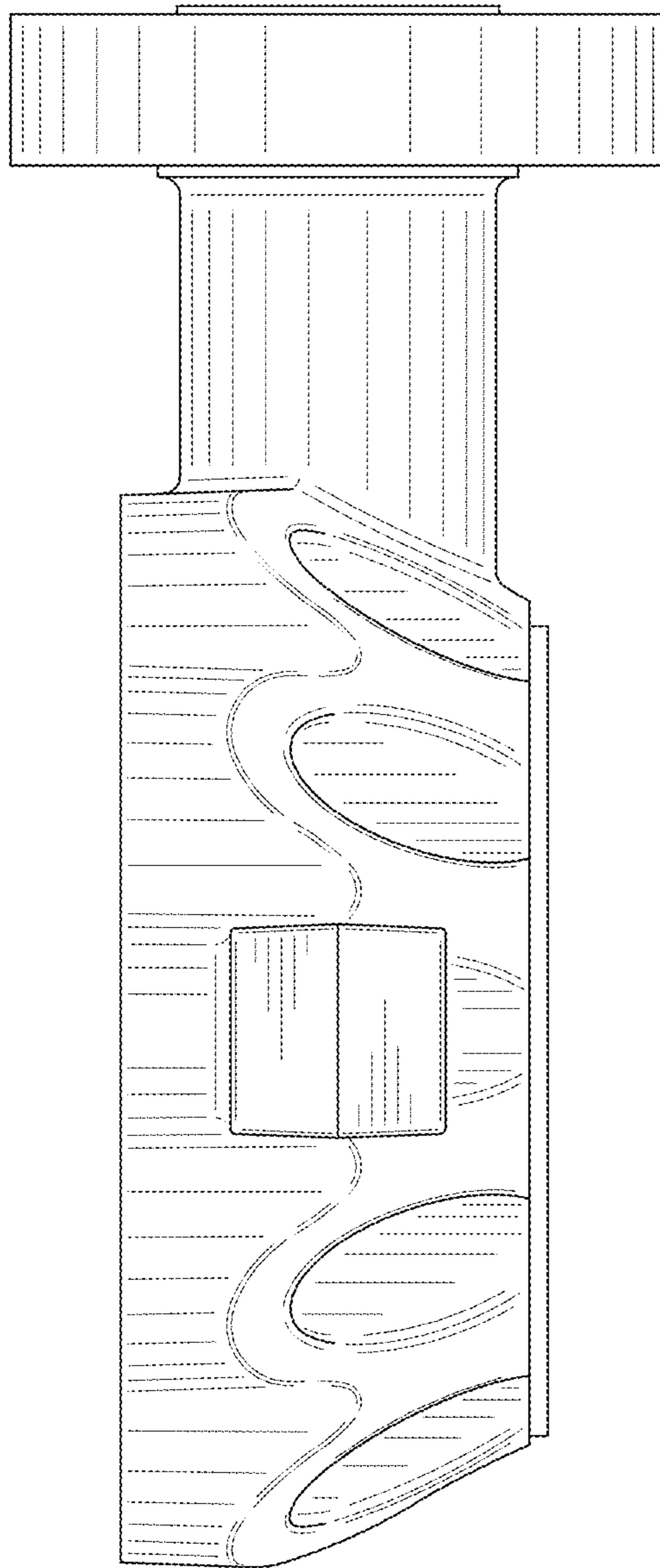


FIG. 5

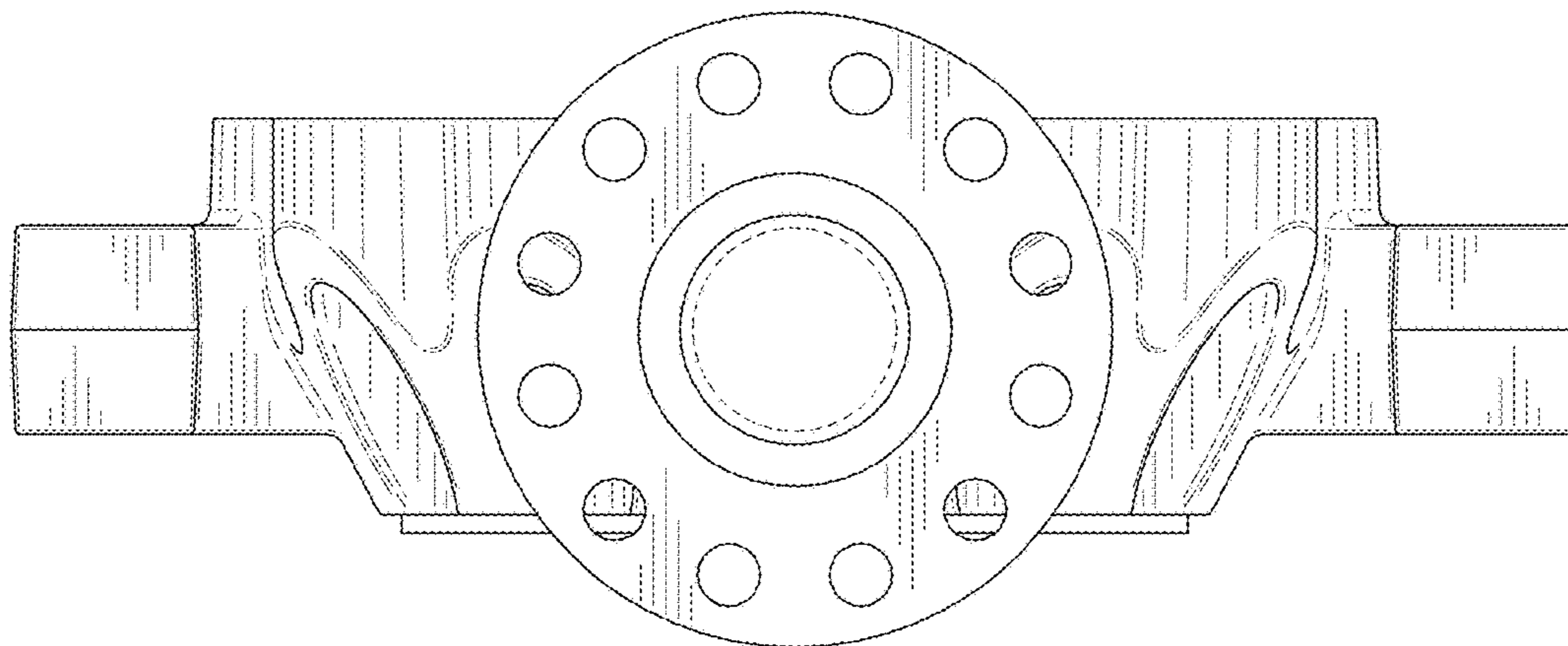


FIG. 6

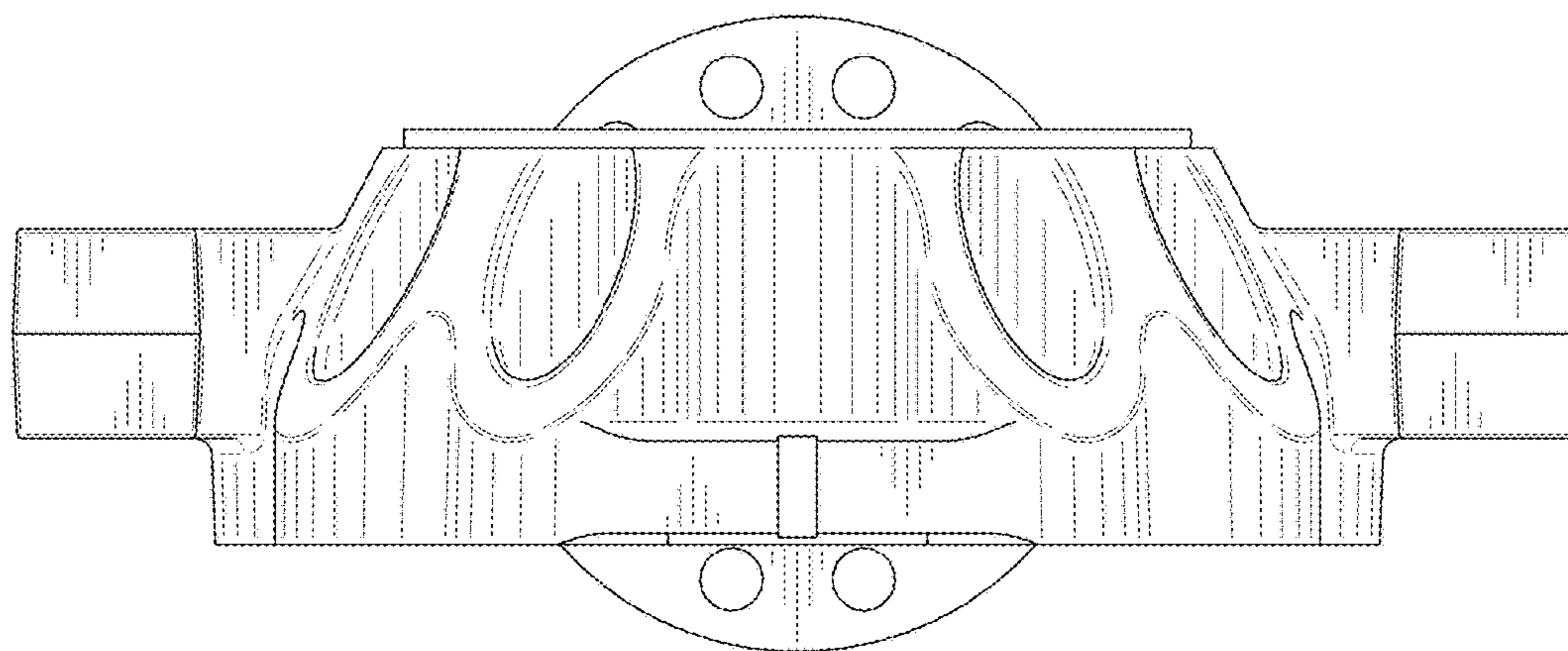


FIG. 7