



US00D845993S

(12) **United States Design Patent** (10) **Patent No.:** **US D845,993 S**
Taylor et al. (45) **Date of Patent:** **** Apr. 16, 2019**

(54) **AVIONICS DISPLAY SCREEN WITH TRANSITIONAL ICON SET**

(71) Applicant: **Rockwell Collins, Inc.**, Cedar Rapids, IA (US)

(72) Inventors: **Max G. Taylor**, Hiawatha, IA (US); **Peter J. Flugstad**, Marion, IA (US); **Brian J. Davis**, Cedar Rapids, IA (US); **David Ray Hershman**, Madison, AL (US); **Scott E. Schultz**, Cedar Rapids, IA (US)

(73) Assignee: **Rockwell Collins, Inc.**, Cedar Rapids, IA (US)

(**) Term: **14 Years**

(21) Appl. No.: **29/502,941**

(22) Filed: **Sep. 22, 2014**

(51) **LOC (11) Cl.** **14-04**

(52) **U.S. Cl.**
USPC **D14/489**

(58) **Field of Classification Search**
USPC D14/485-495; D19/1-5; D20/10, 11, D20/22-38

(Continued)

(56) **References Cited**

U.S. PATENT DOCUMENTS

5,021,976 A * 6/1991 Wexelblat G06T 11/206
345/581
5,588,108 A * 12/1996 Kumar G06F 3/04845
715/765

(Continued)

OTHER PUBLICATIONS

Lifestyle Improvement Stats Infographic, by Bouchard, dribbble.com [online], published on Apr. 1, 2013, [retrieved on Aug. 28,

2018], retrieved from the Internet <URL: https://dribbble.com/shots/1010211-Lifestyle-Improvement-Stats-Infographic> (Year: 2013).*

(Continued)

Primary Examiner — Cathron C Brooks

Assistant Examiner — Ian F Whitmore

(74) *Attorney, Agent, or Firm* — Angel N. Gerdzhikov; Donna P. Suchy; Daniel M. Barbieri

(57) **CLAIM**

The ornamental design for an avionics display screen with transitional icon set, as shown and described.

DESCRIPTION

A portion of the disclosure of this patent document contains material to which a claim for copyright is made. The copyright owner has no objection to the facsimile reproduction by anyone of the patent document or the patent disclosure, as it appears in the Patent and Trademark Office patent file or records, but reserves all other copyright rights whatsoever.

FIG. 1 is a front view of avionics display screen with transitional icon set showing a first image in a sequence of a transitional icon set;

FIG. 2 is a front view of avionics display screen with transitional icon set showing a second image in the sequence; and,

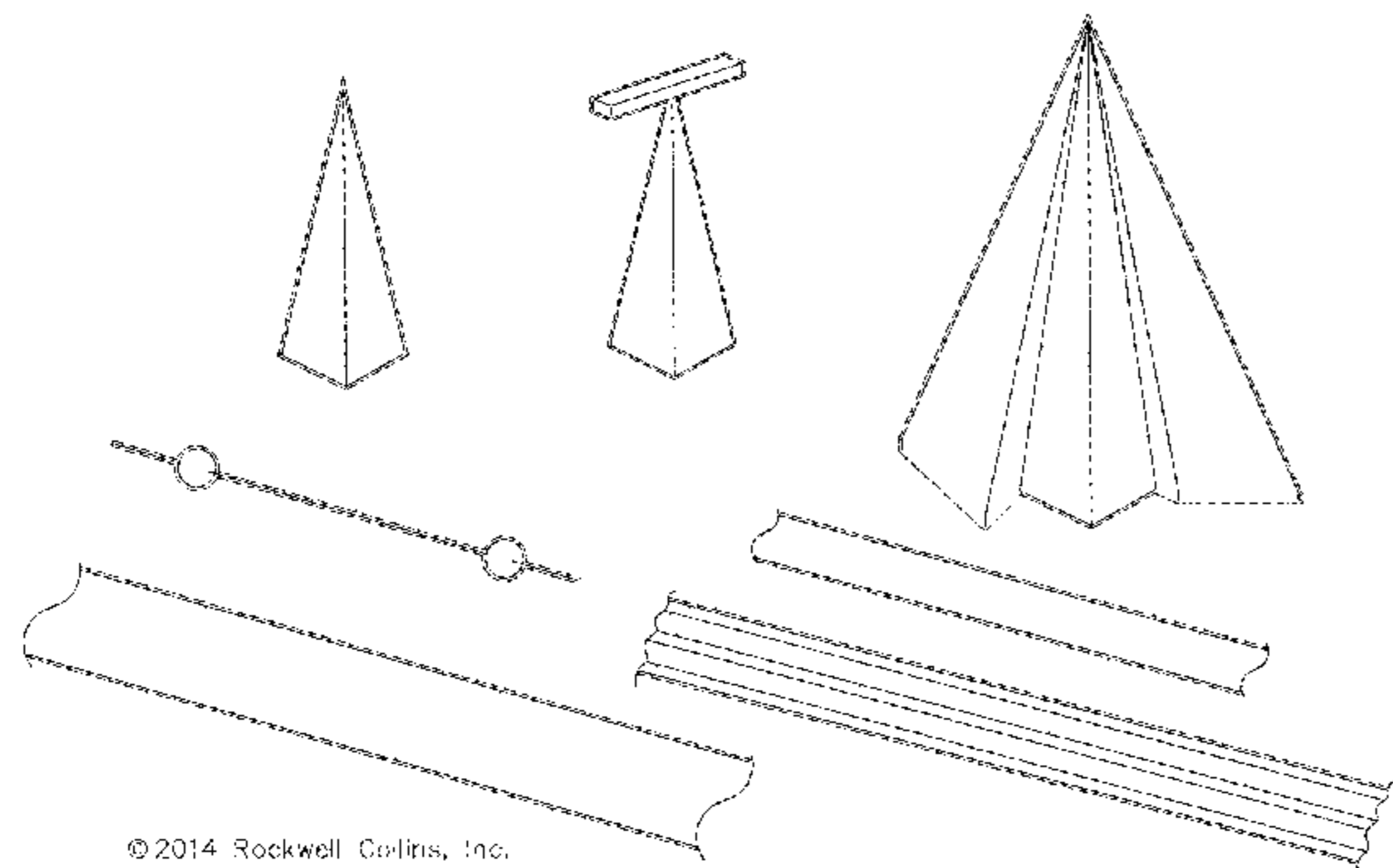
FIG. 3 is a front view of avionics display screen with transitional icon set showing a third image in the sequence. The appearance of the transitional icon set sequentially transitions between the images shown in FIGS. 1-3. The process or period in which one image transitions to another image forms no part of the claimed design.

The wavy break lines show a symbolic break in the length of certain avionics display screen with transitional icon set. The appearance of any portion of the article beyond the break lines forms no part of the claimed design.

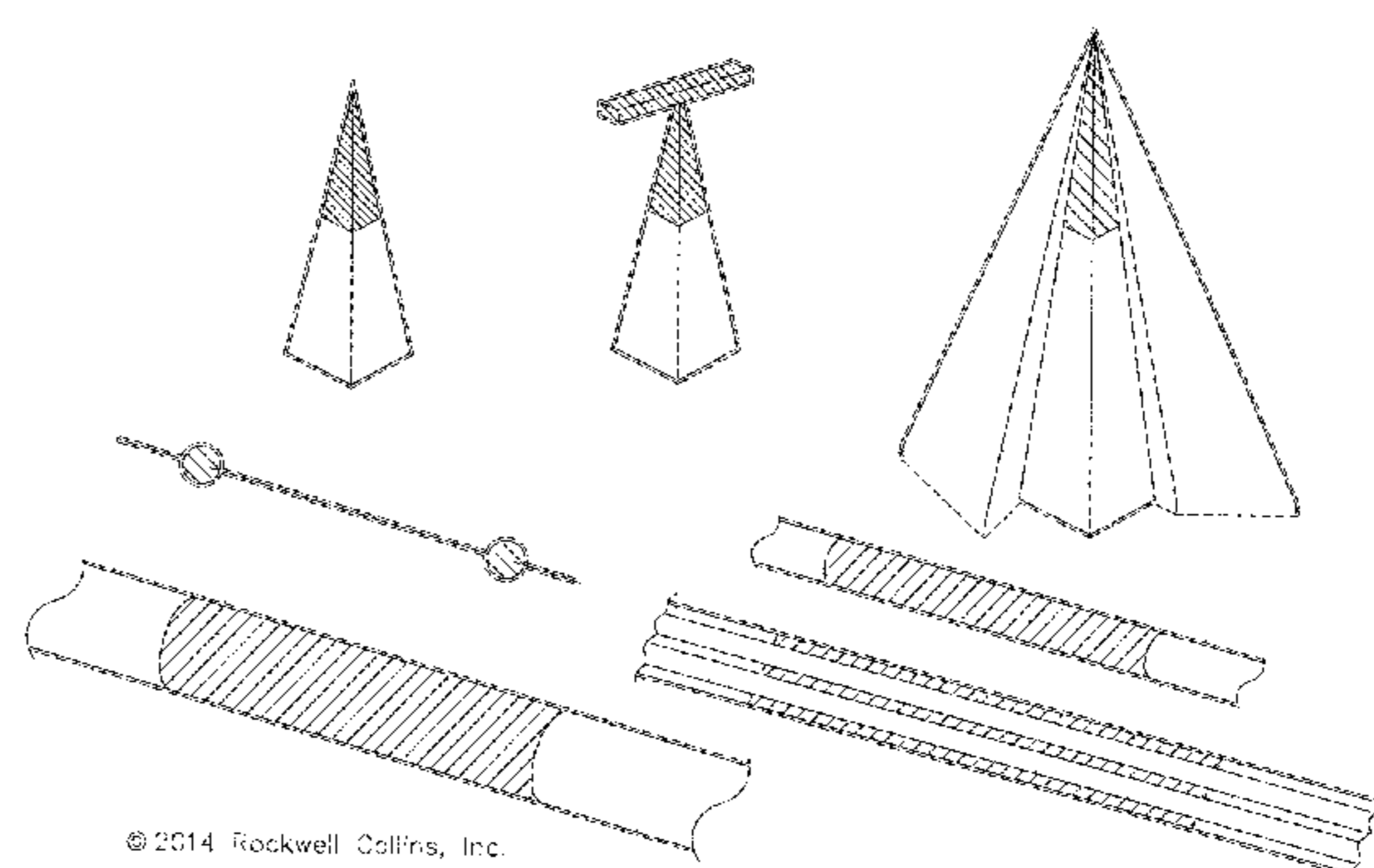
The broken lines illustrate perimeters of avionics display screen with transitional icon set and form no part of the claimed design.

The claimed design is directed to the collective appearance of the transitional icons shown.

(Continued)



© 2014 Rockwell Collins, Inc.



© 2014 Rockwell Collins, Inc.

The set of transitional icons is arranged as shown for convenience of illustration. The relative positioning of the icons forms no part of the claimed design.

1 Claim, 3 Drawing Sheets

(58) Field of Classification Search

CPC G06F 3/048–3/04897; G06F 3/0484; G05B 19/418; G11B 19/027; H04L 67/025; A63F 2300/308; A63F 13/53; G08G 1/0962; G08F 1/123

See application file for complete search history.

(56) References Cited

U.S. PATENT DOCUMENTS

D432,100 S * 10/2000 Zink D14/490
 D471,225 S * 3/2003 Gray D14/488
 D474,200 S * 5/2003 Leute D14/489
 6,629,097 B1 * 9/2003 Keith G06F 17/30598
 D601,571 S * 10/2009 Vu D14/485
 D602,031 S * 10/2009 Vu D14/485
 7,693,697 B2 * 4/2010 Westenskow G06F 19/3437
 703/11
 D645,873 S * 9/2011 Cavanaugh D14/488
 D662,943 S * 7/2012 Jesberger D14/489

D726,210 S * 4/2015 Angelides D14/486
 D736,792 S * 8/2015 Brinda D14/485
 D743,977 S * 11/2015 dela Cruz D14/485
 D747,726 S * 1/2016 Virk D14/485
 D765,690 S * 9/2016 Lee D14/486
 D828,377 S * 9/2018 Dhide D14/486
 D830,373 S * 10/2018 Gupta D14/485
 D831,679 S * 10/2018 Antoni D14/485
 D833,479 S * 11/2018 Golden D14/488
 D835,126 S * 12/2018 Sakata D14/485
 2004/0056898 A1 * 3/2004 Jetha G06F 3/0481
 715/781
 2006/0086022 A1 * 4/2006 Would G06F 3/0482
 40/584
 2007/0174785 A1 * 7/2007 Perttula G06F 3/0481
 715/800
 2011/0197157 A1 * 8/2011 Hoffman A63B 24/0062
 715/772
 2012/0188072 A1 * 7/2012 Dawes G06Q 50/06
 340/514
 2012/0290950 A1 * 11/2012 Rapaport H04L 51/32
 715/753

OTHER PUBLICATIONS

Pyramids, by Akkerman, dribbble.com [online], published on Dec. 23, 2010, [retrieved on Aug. 28, 2018], retrieved from the Internet <URL: <https://dribbble.com/shots/93178-Pyramids>> (Year: 2010).*

* cited by examiner

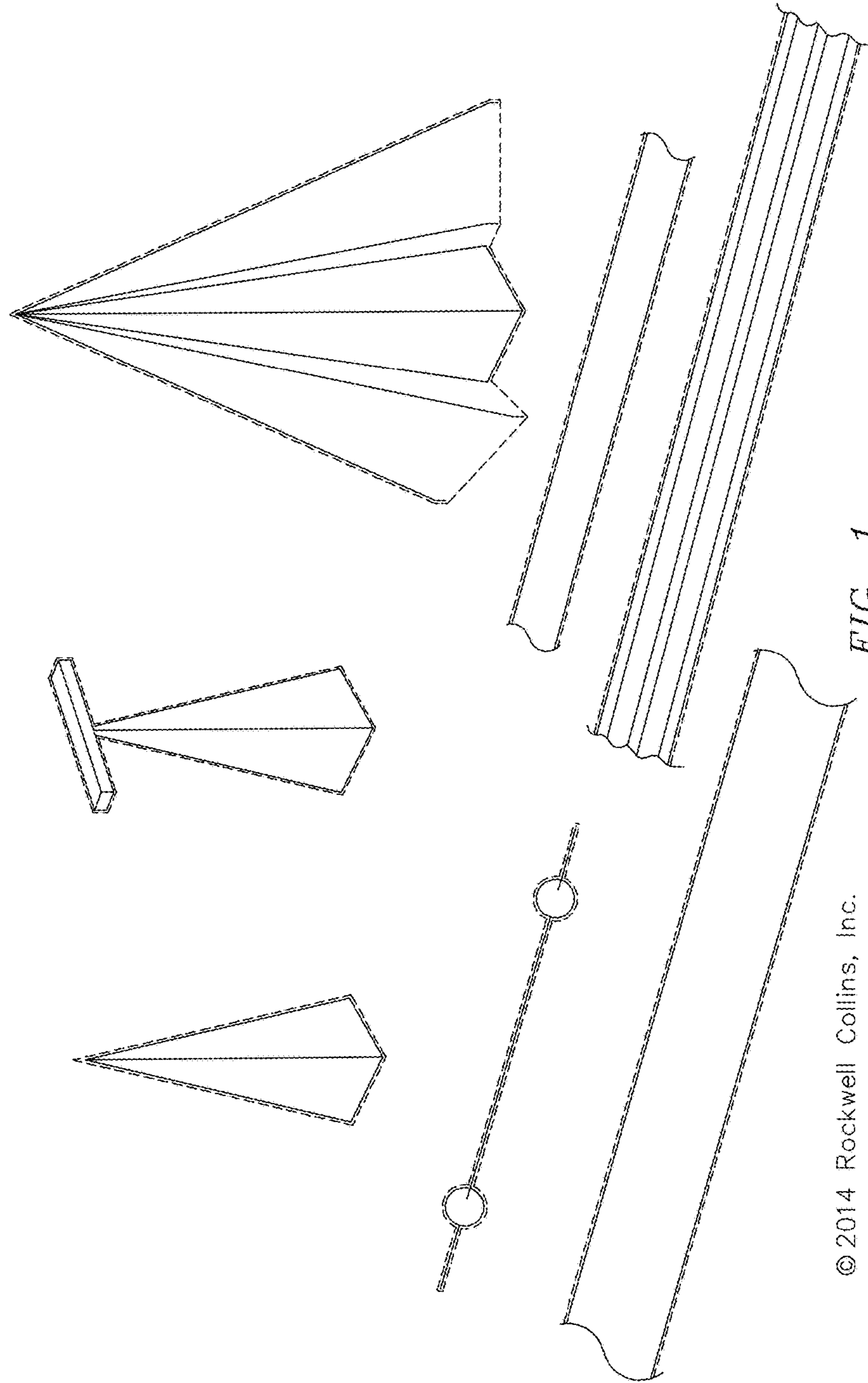


FIG. 1

© 2014 Rockwell Collins, Inc.

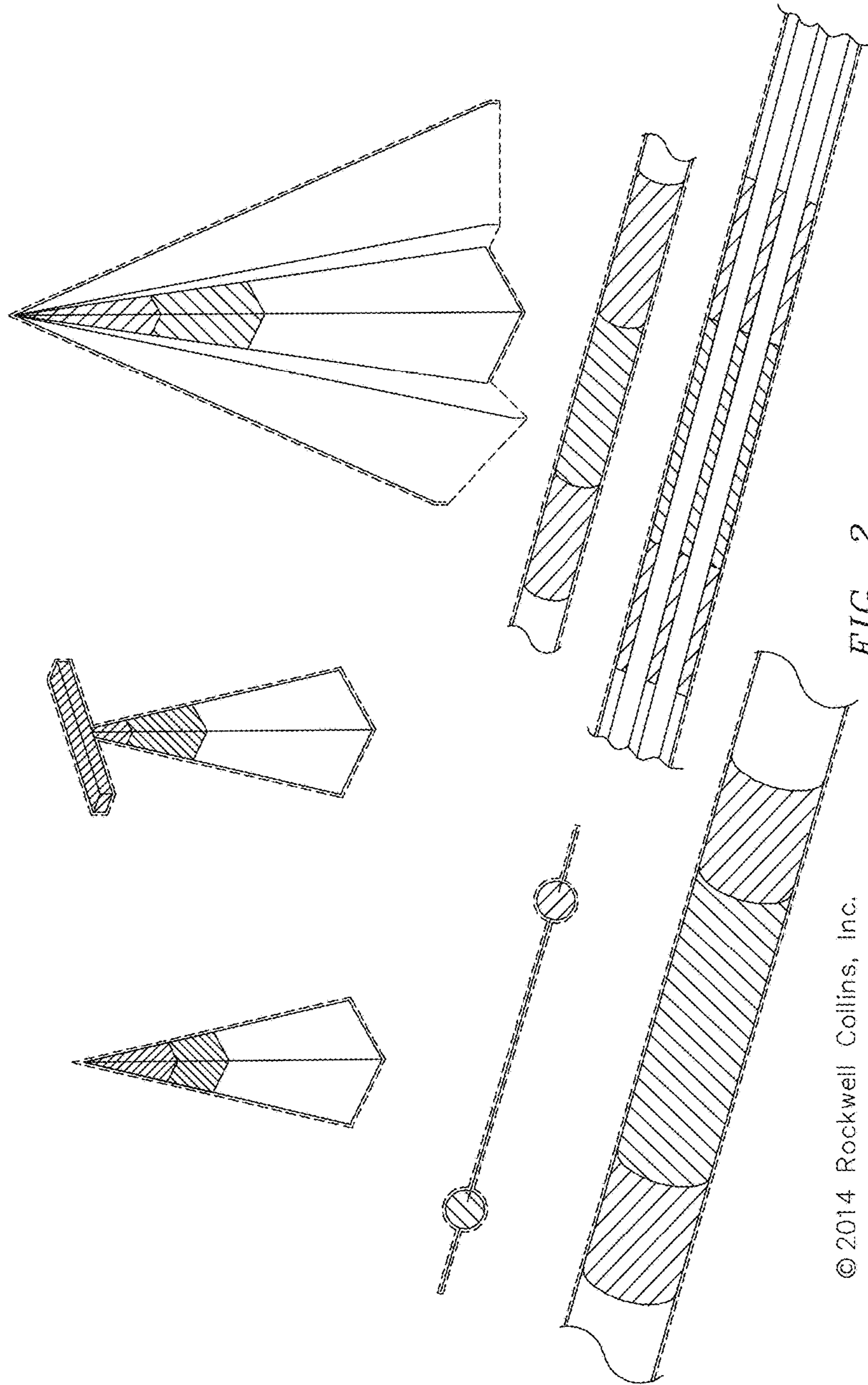


FIG. 2

© 2014 Rockwell Collins, Inc.

