

US00D845966S

(12) **United States Design Patent**
Shivaji-Rao

(10) **Patent No.:** **US D845,966 S**

(45) **Date of Patent:** **** Apr. 16, 2019**

(54) **DISPLAY SCREEN OR PORTION THEREOF WITH GRAPHICAL USER INTERFACE**

(71) Applicant: **Nanolumens Acquisition, Inc.**,
Norcross, GA (US)

(72) Inventor: **Vishnu Shivaji-Rao**, Somerset, NJ
(US)

(73) Assignee: **Nanolumens Acquisition, Inc.**,
Norcross, GA (US)

(**) Term: **15 Years**

(21) Appl. No.: **29/619,454**

(22) Filed: **Sep. 29, 2017**

Related U.S. Application Data

(63) Continuation of application No. 29/570,531, filed on
Jul. 8, 2016, now Pat. No. Des. 813,882.

(51) **LOC (11) Cl.** **14-04**

(52) **U.S. Cl.**
USPC **D14/485**

(58) **Field of Classification Search**

USPC D14/485-495; 345/1.1, 1.2, 2.1-2.3, 3.1,
345/902; 715/763, 810, 836, 837, 846,
715/847, 977

CPC G06F 3/048; G06F 3/0481; G06F 3/04812;
G06F 3/04817; G06F 3/0482; G06F
3/0483; G06F 3/0484; G06F 3/04847;
G06F 3/0485; G06F 3/04855; G06F
3/04886; G06Q 30/00; H03J 1/00; H03J
1/0008; H03J 1/0016; H03J 1/0025;
H04N 5/00; H04N 5/08; H04N 5/14;
H04N 5/222; H04N 5/225; H04N 5/232;
H04N 5/445; H04N 5/44543; H04N 5/45;
H04N 2005/44517; H04N 2005/44521;
H04N 2005/44526; H04N 2005/4453;
H04N 2005/44534; H04N 2005/44539;

H04N 2005/44547; H04N 2005/44556;
H04N 2005/4456; H04N 2005/44565;
H04N 2005/44569; H04N 2005/44573;
H04N 21/00; H04N 21/234; H04N
21/431; H04N 21/4312; H04N 21/4314;
H04N 21/4316

See application file for complete search history.

(56) **References Cited**

U.S. PATENT DOCUMENTS

D400,519 S * 11/1998 Marshall, Jr. D14/486
D401,230 S 11/1998 Marshall, Jr.

(Continued)

Primary Examiner — Cathron C Brooks

Assistant Examiner — Christian P. McLean

(74) *Attorney, Agent, or Firm* — Theodore Heske, III

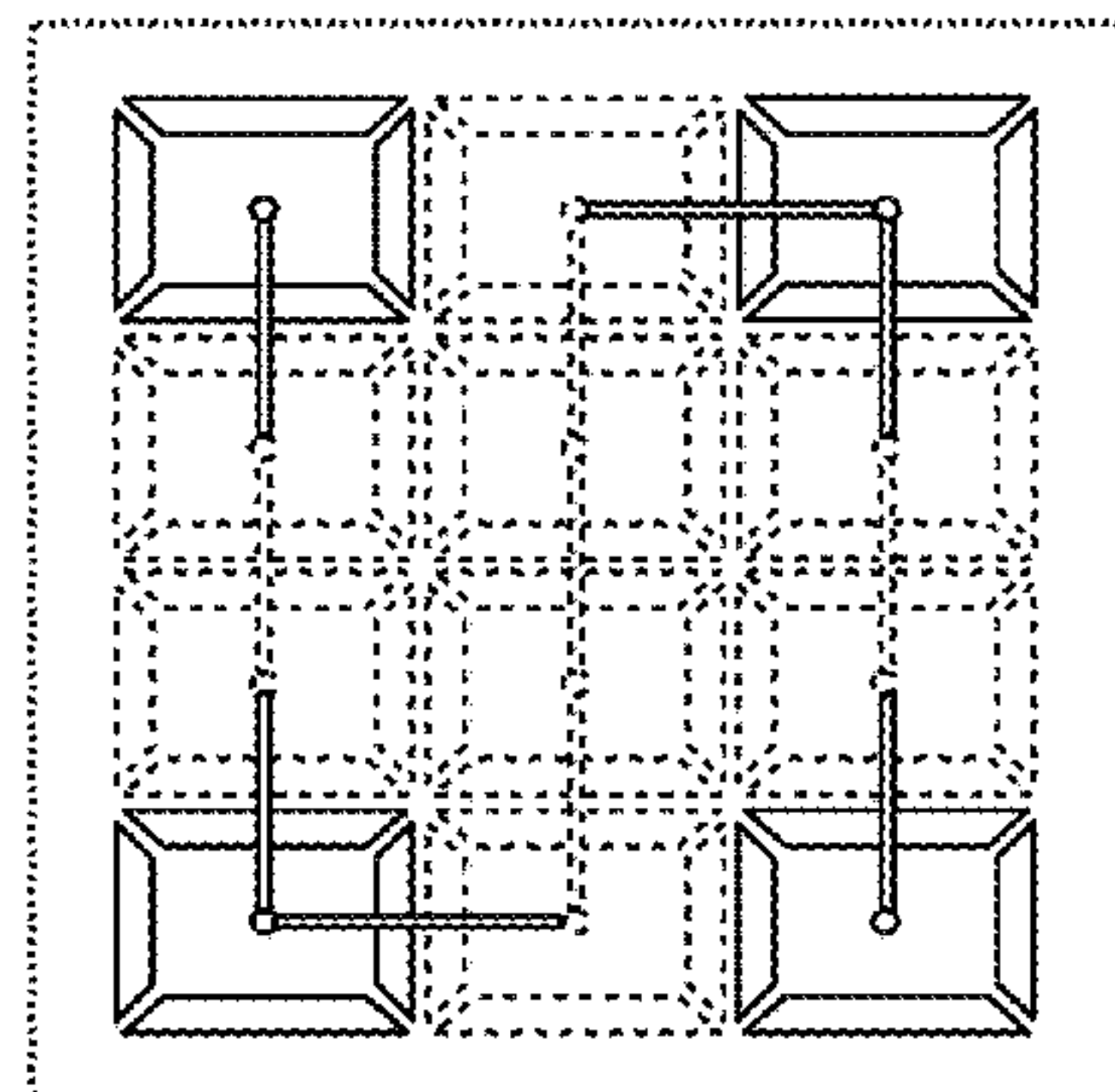
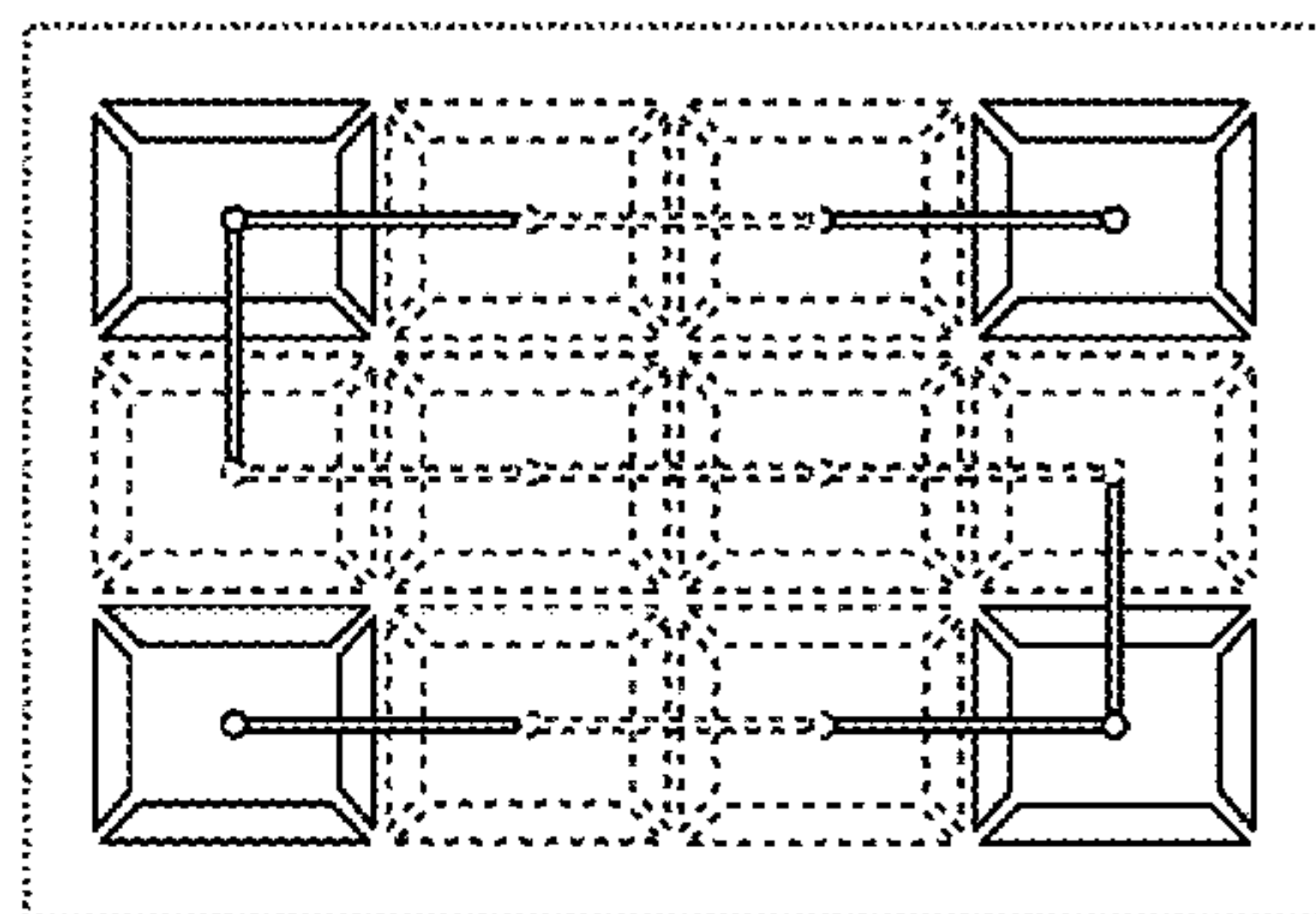
(57) **CLAIM**

The ornamental design for a display screen or portion thereof with graphical user interface, as shown and described.

DESCRIPTION

FIG. 1 is a front view of a display screen or portion thereof with a graphical user interface, showing the new design; FIG. 2 is a front view of a second embodiment of a display screen or portion thereof with graphical user interface; FIG. 3 is a front view of a third embodiment of a display screen or portion thereof with graphical user interface; and, FIG. 4 is a front view of a fourth embodiment of a display screen or portion thereof with graphical user interface. In the figures, the outer most broken lines illustrate a display screen or portion thereof and form no part of the claimed design. The remaining broken lines, illustrating portions of the graphical user interface, form no part of the claimed design.

1 Claim, 4 Drawing Sheets



(56)

References Cited

U.S. PATENT DOCUMENTS

5,940,078	A *	8/1999	Nagarajayya	G06F 3/04817	2007/0200791	A1 *	8/2007	Meyers	G06F 3/1446
				715/835					345/1.1
D580,448	S *	11/2008	Jasinski	D14/486	2010/0022276	A1 *	1/2010	Park	G06F 3/0482
D664,549	S	7/2012	Gleasant						455/566
D689,062	S	9/2013	Ikeda		2010/0070919	A1 *	3/2010	Araumi	G06F 17/30126
D689,504	S *	9/2013	Ikeda	D14/485					715/810
D690,318	S	9/2013	Kluttz		2011/0083108	A1	4/2011	Klein	
D708,083	S *	7/2014	Nardo	D10/102	2011/0105187	A1 *	5/2011	Dobroth	G06F 3/0481
D750,116	S	2/2016	Kim						455/566
D751,116	S	3/2016	Park		2012/0272186	A1 *	10/2012	Kraut	G06F 3/0488
D751,603	S	3/2016	Park						715/810
D758,380	S	6/2016	Park		2013/0254714	A1 *	9/2013	Shin	G06F 3/0482
D758,426	S	6/2016	Park						715/810
D762,239	S *	7/2016	Seo	D14/488	2015/0047014	A1	2/2015	Yoon	
D762,687	S	8/2016	Campiranon		2015/0295967	A1 *	10/2015	Glazer	H04L 65/604
D765,727	S *	9/2016	Shin	D14/489					709/219
D775,156	S	12/2016	Perach		2016/0092091	A1 *	3/2016	Hanson	G06F 17/248
D788,162	S	5/2017	Kim						715/763
D799,498	S *	10/2017	Graham	D14/485					
D808,996	S *	1/2018	Ambielli	D14/486					

* cited by examiner

FIG 1

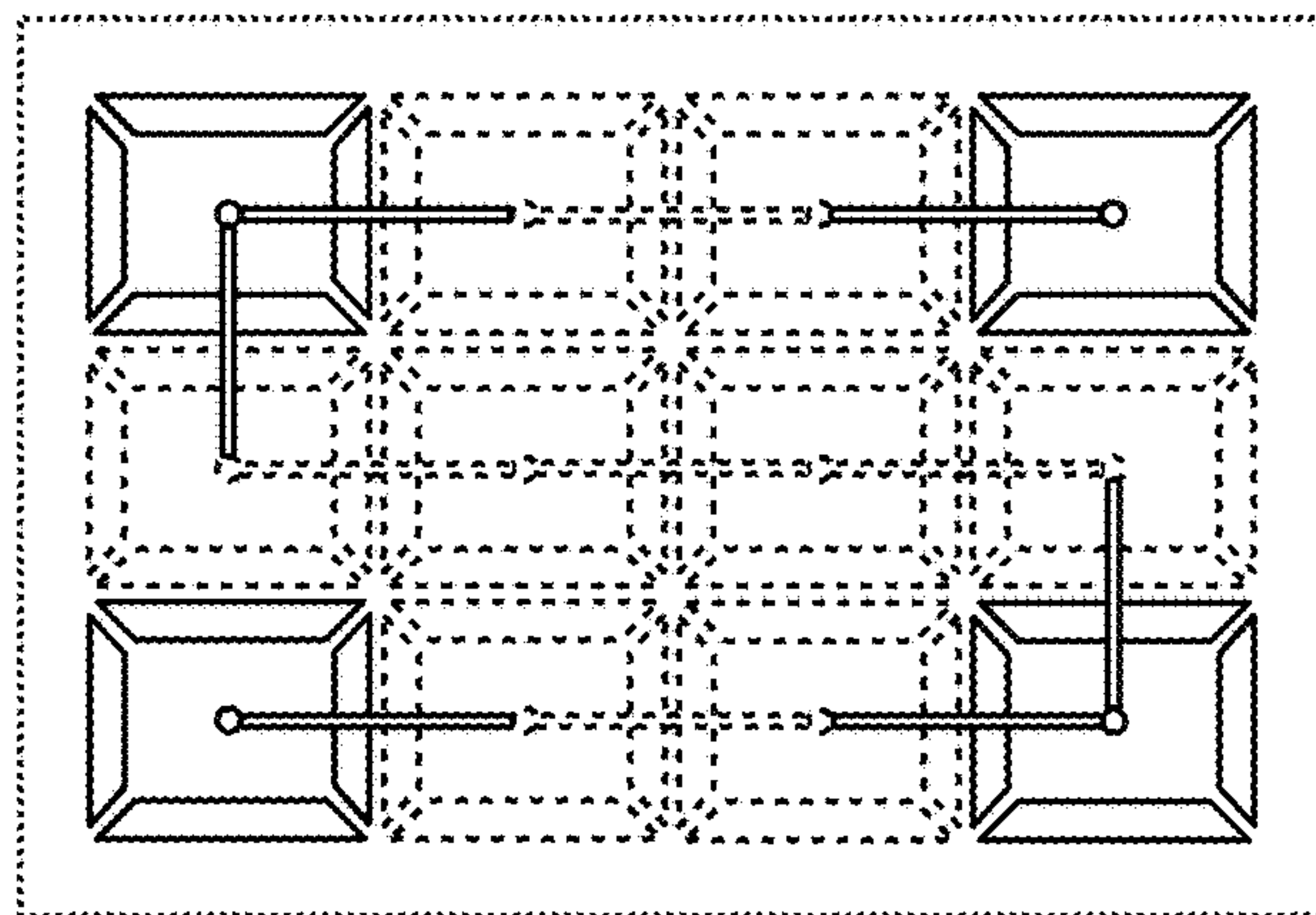


FIG 2

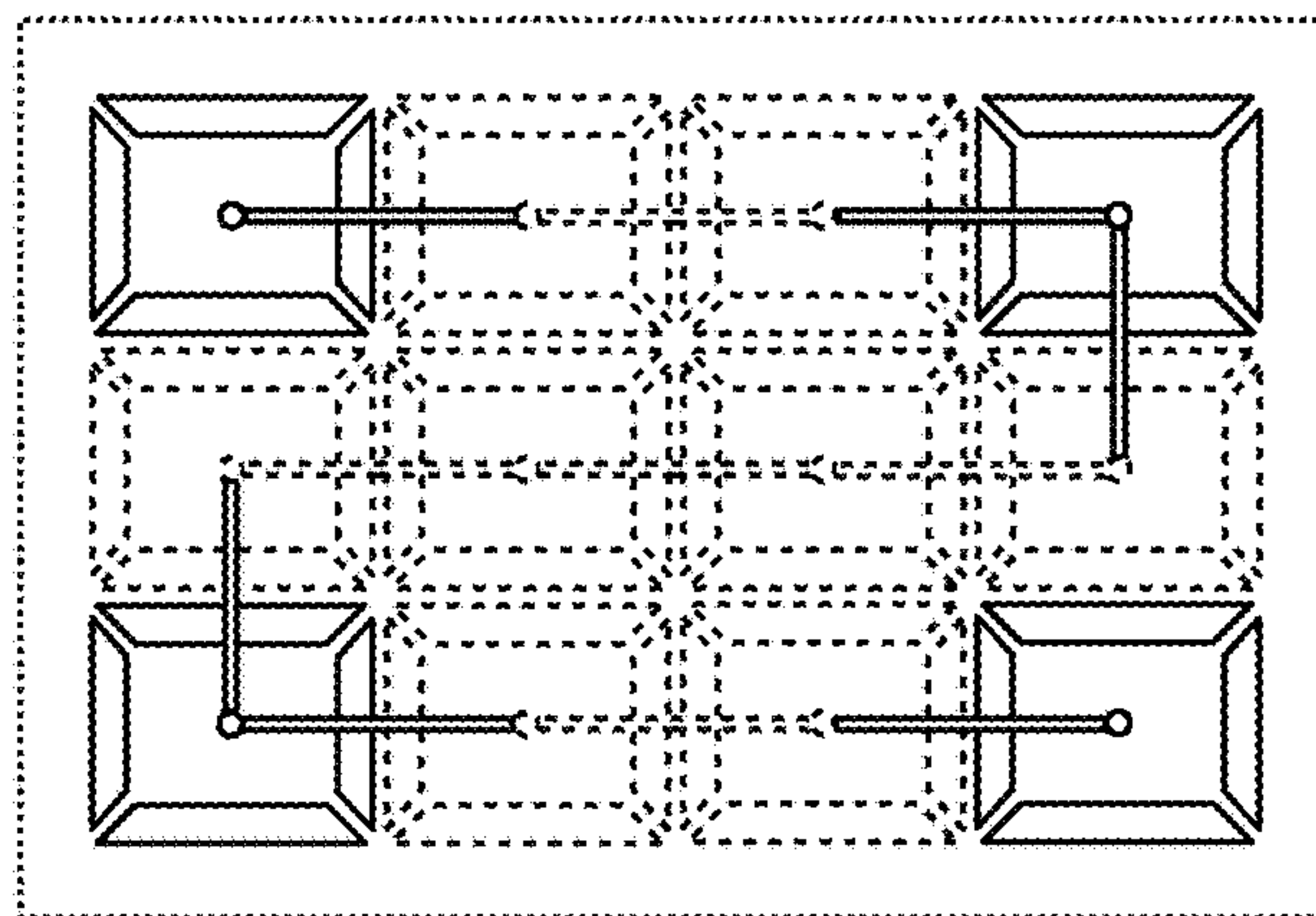


FIG 3

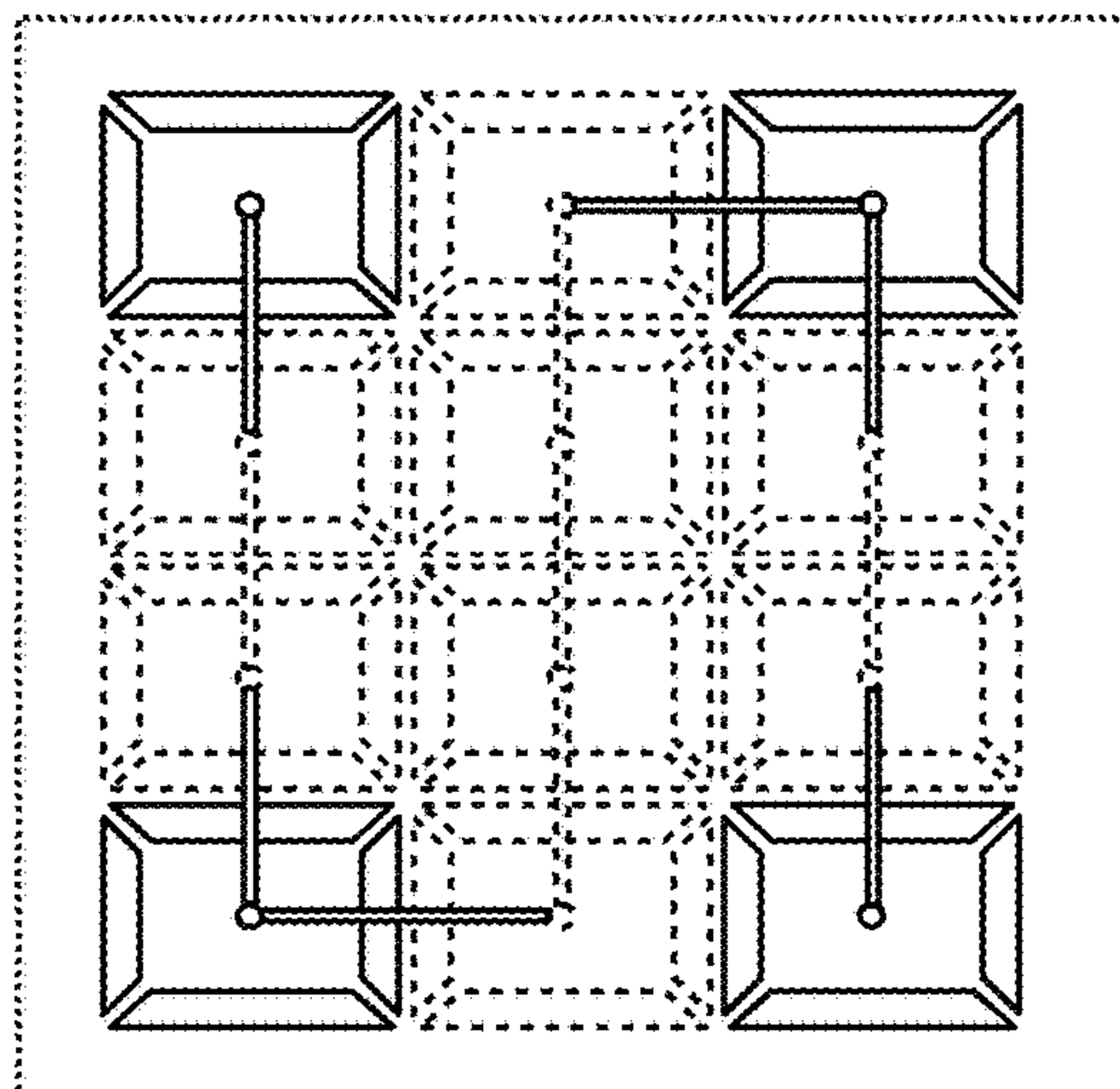


FIG 4

