

US00D845964S

(12) **United States Design Patent**
Kim et al.

(10) **Patent No.:** **US D845,964 S**
(45) **Date of Patent:** **** Apr. 16, 2019**

- (54) **ENCRYPTED FLASH DRIVE**
- (71) Applicant: **DataLocker Inc.**, Overland Park, KS (US)
- (72) Inventors: **David Kim**, Gyeonggi-do (KR);
Hangsook Cho, Gyeonggi-do (KR);
Jay Kim, Leawood, KS (US)
- (73) Assignee: **DataLocker Inc.**, Overland Park, KS (US)
- (**) Term: **15 Years**
- (21) Appl. No.: **29/629,726**
- (22) Filed: **Dec. 15, 2017**
- (51) **LOC (11) Cl.** **14-03**
- (52) **U.S. Cl.**
USPC **D14/480.5**
- (58) **Field of Classification Search**
USPC D14/435.1, 480.1-480.7, 411, 433, 436,
D14/484.1, 137, 155, 203.1-203.8, 240,
D14/242, 133, 154
CPC H05K 5/0278; G06K 19/07732
See application file for complete search history.

- D587,719 S * 3/2009 Tate D14/480.1
- D602,939 S * 10/2009 Andre D14/480.1
- D602,940 S * 10/2009 McLean D14/480.3
- D607,886 S * 1/2010 Bolotin D14/480.1
- D624,920 S * 10/2010 Sheppard D14/435.1
- D670,712 S * 11/2012 Bolotin D14/480.5
- D687,836 S * 8/2013 Chen D14/480.1
- D800,138 S * 10/2017 Brown D14/480.5
- D800,139 S * 10/2017 Brown D14/480.5

* cited by examiner

Primary Examiner — Angela J Lee

(74) *Attorney, Agent, or Firm* — Hovey Williams LLP

(57) **CLAIM**

The ornamental design for an encrypted flash drive, as shown and described.

DESCRIPTION

FIG. 1 is a front upper perspective view of an encrypted flash drive showing our new design;
 FIG. 2 is a rear lower perspective view thereof;
 FIG. 3 is a front elevational view thereof;
 FIG. 4 is a left side elevational view thereof;
 FIG. 5 is a rear elevational view thereof;
 FIG. 6 is a right side elevational view thereof;
 FIG. 7 is a top plan view thereof; and,
 FIG. 8 is a bottom plan view thereof.

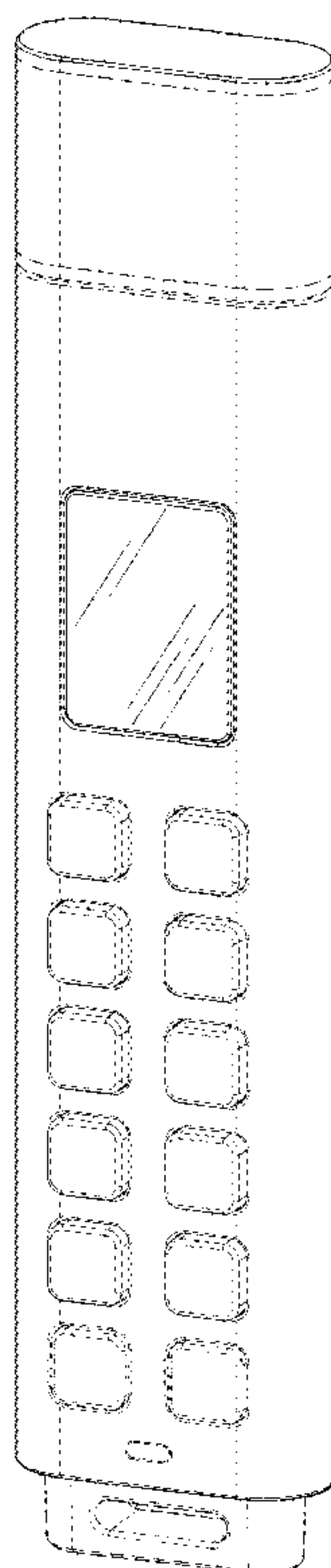
The broken lines shown in the various Figures illustrate portions of the encrypted flash drive that form no part of the claimed design.

(56) **References Cited**

U.S. PATENT DOCUMENTS

- D524,817 S * 7/2006 Conley D14/480.5
- D527,733 S * 9/2006 Lee D14/480.5

1 Claim, 4 Drawing Sheets



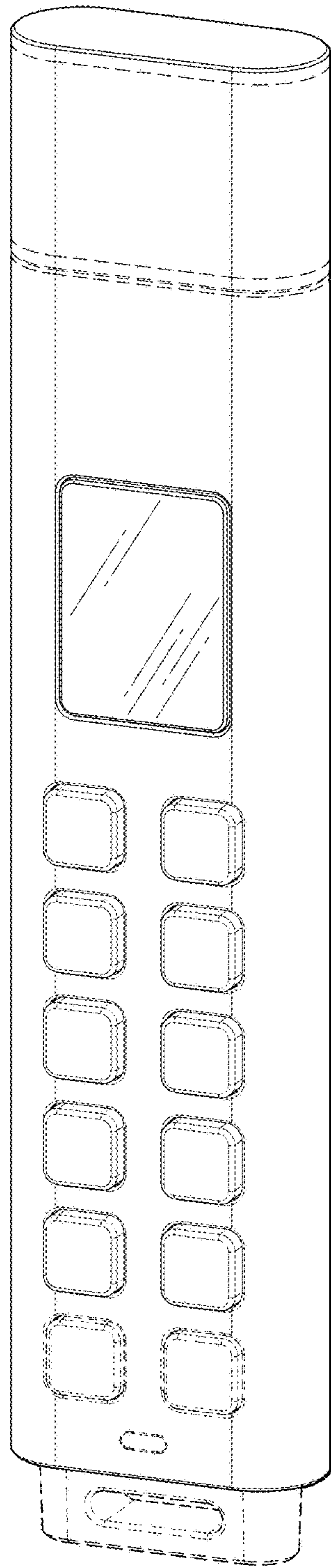


FIG. 1

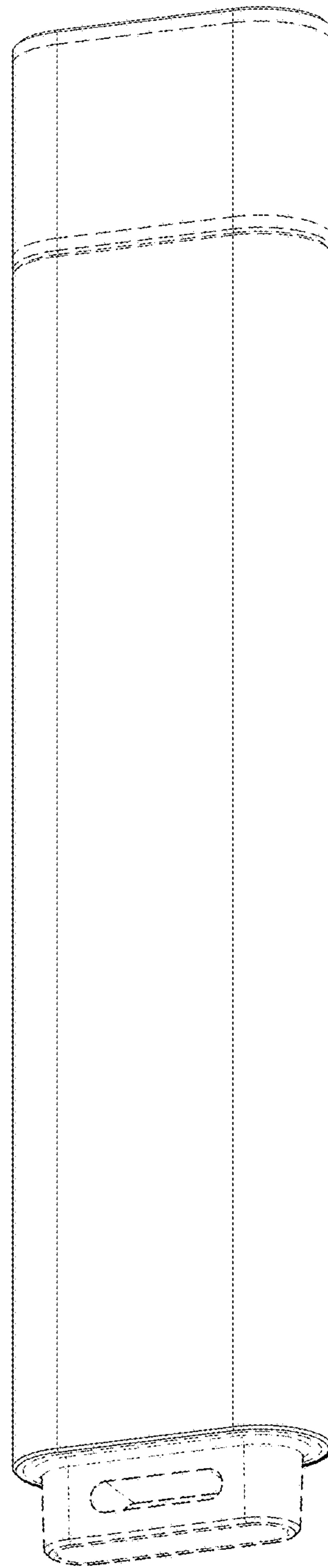


FIG. 2

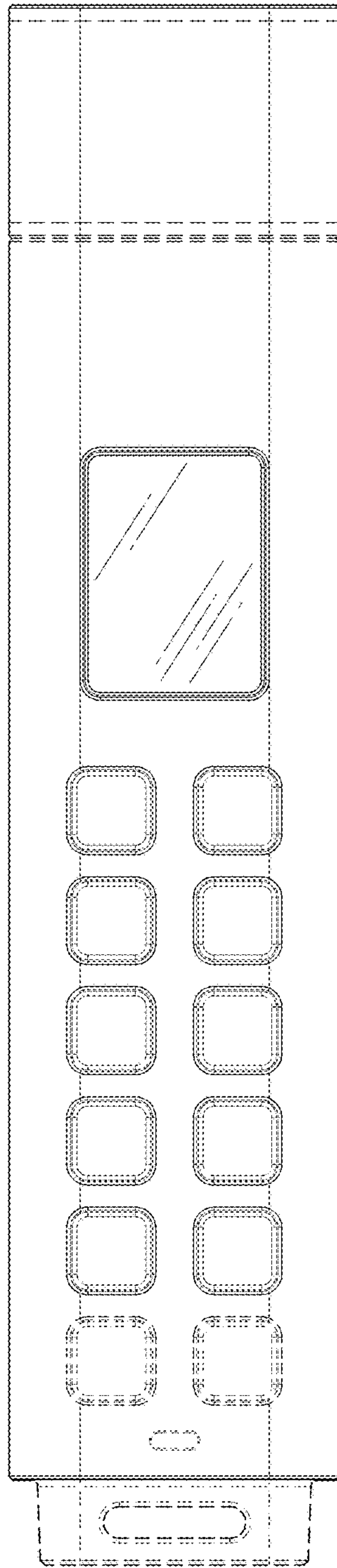


FIG. 3

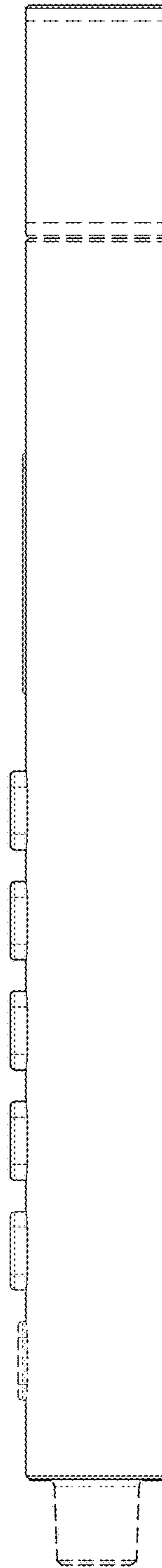


FIG. 4

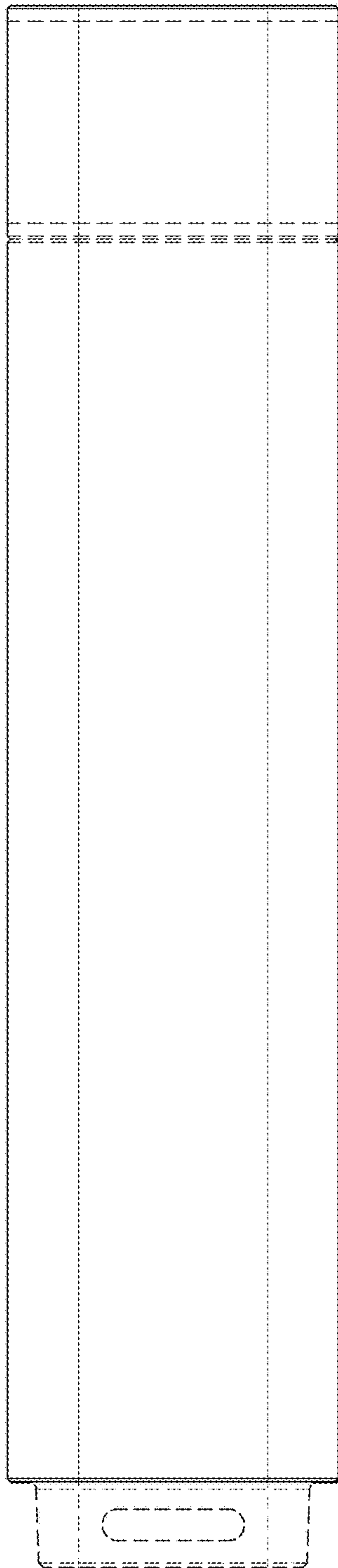


FIG. 5

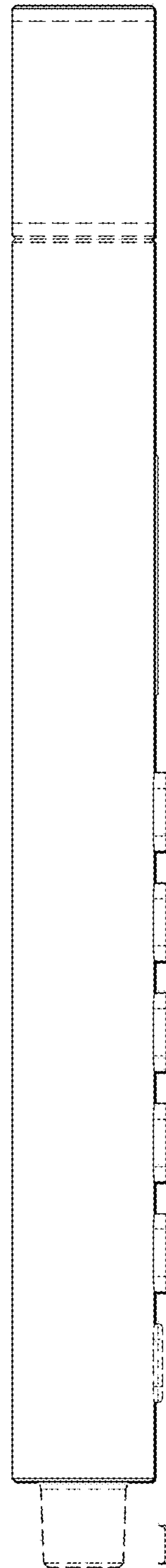


FIG. 6

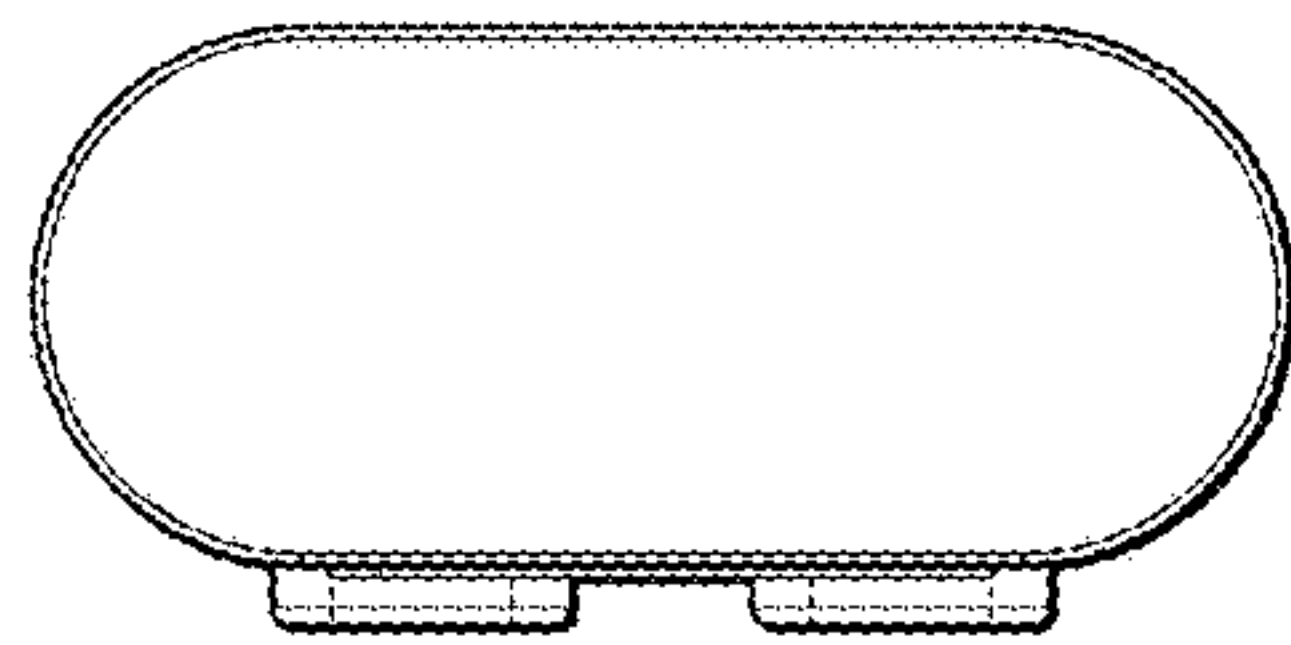


FIG. 7

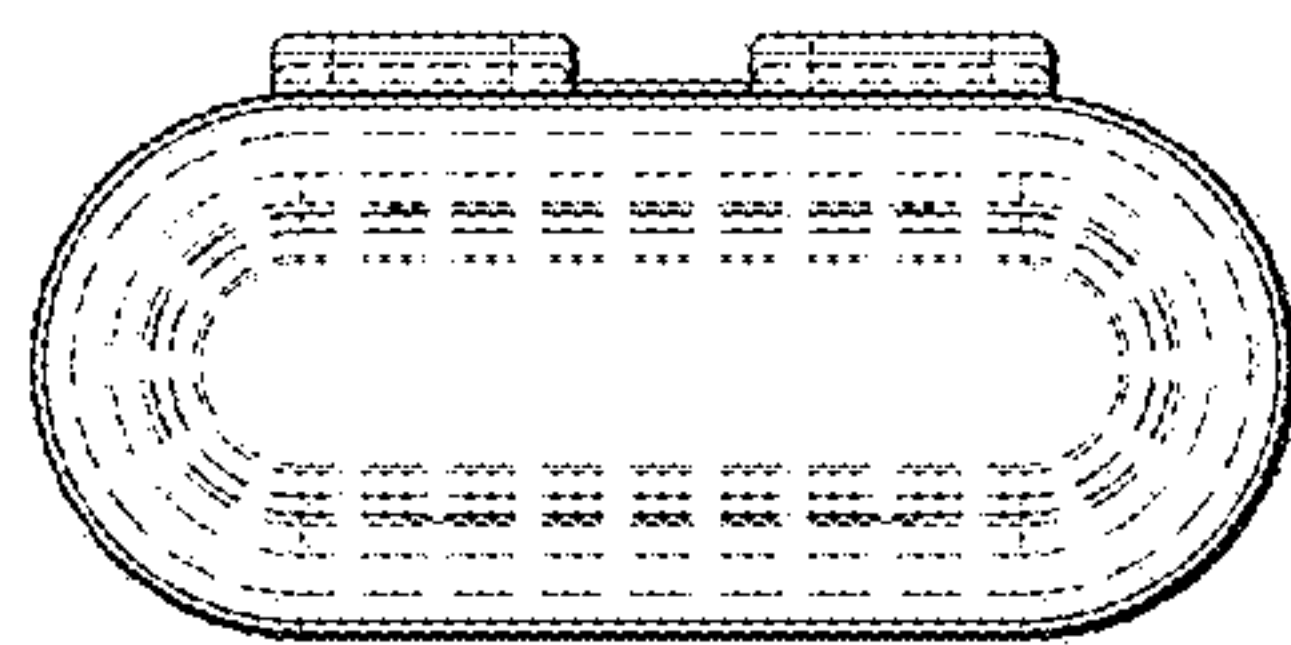


FIG. 8