



US00D845961S

(12) **United States Design Patent**
Yao et al.

(10) **Patent No.:** **US D845,961 S**
(45) **Date of Patent:** **** Apr. 16, 2019**

- (54) **VENT ATTACHMENT PORTION OF A DASHBOARD VENT MOUNT FOR AN ELECTRONIC DEVICE**
- (71) Applicant: **Kenu, Inc.**, San Francisco, CA (US)
- (72) Inventors: **David E. Yao**, San Francisco, CA (US); **Leonard John Duran**, Mill Valley, CA (US); **Gregory D. Caneer**, Oakland, CA (US); **Kenneth Y. Minn**, San Francisco, CA (US)
- (73) Assignee: **KENU, INC.**, San Francisco, CA (US)
- (**) Term: **15 Years**
- (21) Appl. No.: **29/663,049**
- (22) Filed: **Sep. 11, 2018**

Related U.S. Application Data

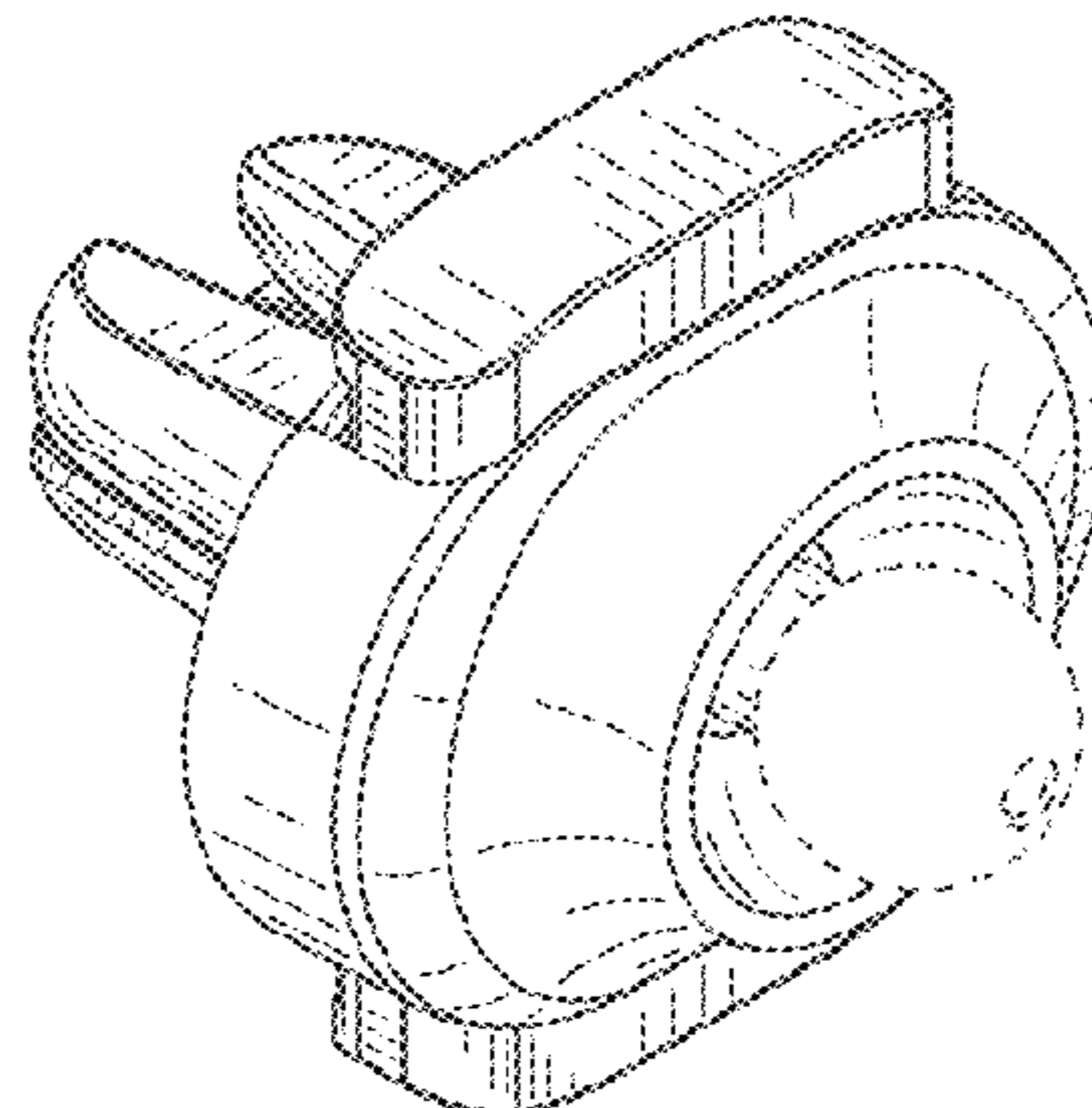
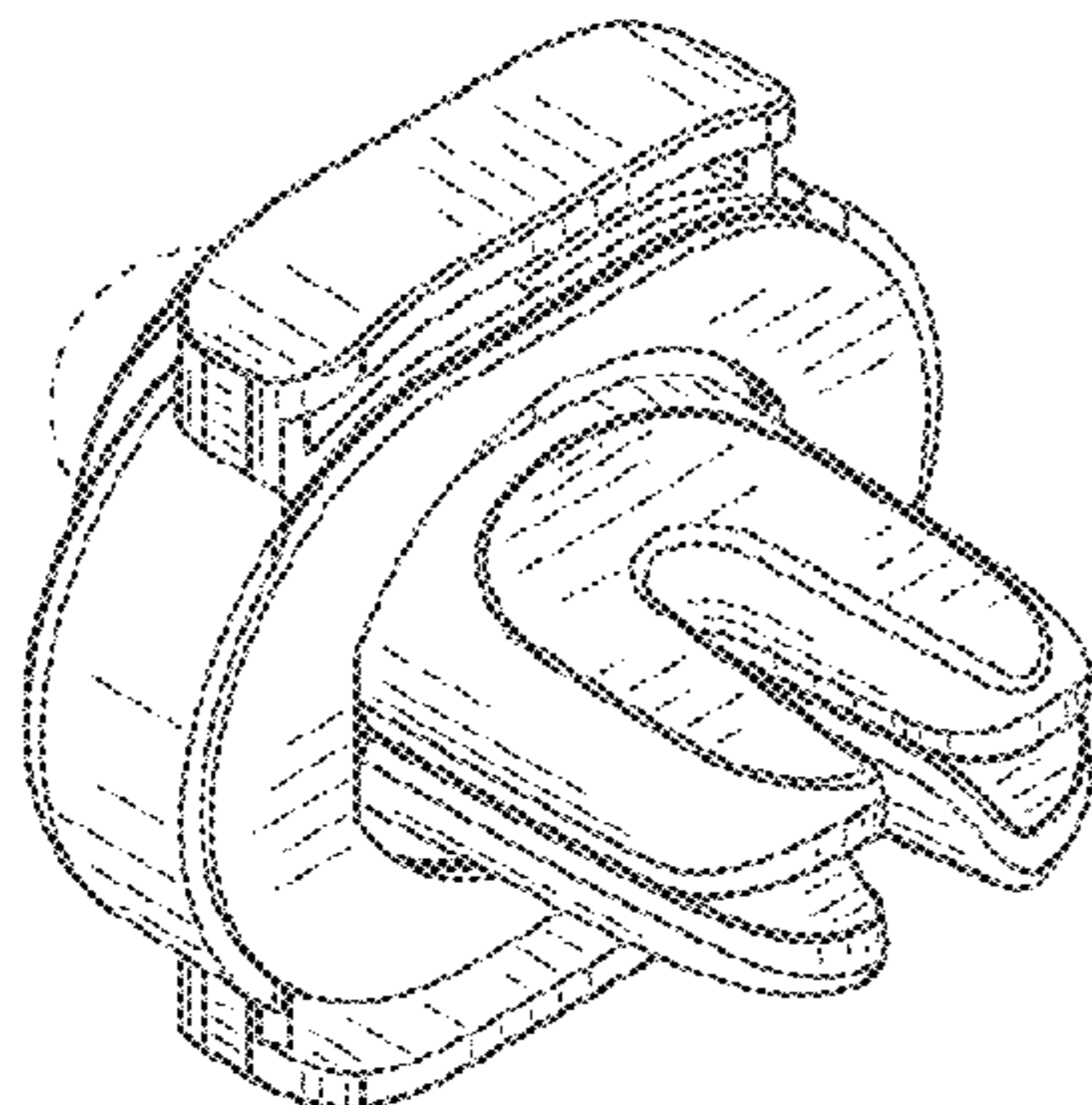
- (62) Division of application No. 29/607,125, filed on Jun. 9, 2017, now Pat. No. Des. 831,660.
- (51) **LOC (11) Cl.** **08-07**
- (52) **U.S. Cl.**
USPC **D14/447**
- (58) **Field of Classification Search**
USPC D14/447, 432, 434, 439, 440, 451, 452, D14/457, 239, 251, 253; D8/363, 373, D8/380; D6/406.3, 406.4, 406.5, 406.6; D12/415
CPC A47B 21/04; A47B 2097/006; A47B 2097/005; A47B 2023/049; A45C 2011/002; A45C 2011/003; F16M 2200/00; F16M 13/00
See application file for complete search history.

(56) **References Cited**

U.S. PATENT DOCUMENTS

2,580,625 A 1/1952 Waltz
 4,797,916 A 1/1989 Kojima
 5,109,411 A 4/1992 O'Connell
 5,305,381 A 4/1994 Wang

5,338,252 A 8/1994 Bowler et al.
 5,979,724 A 11/1999 Loewenthal et al.
 6,103,201 A 8/2000 Green
 6,149,116 A 11/2000 Won
 6,366,672 B1 4/2002 Tsay
 6,441,872 B1 8/2002 Ho
 D482,039 S 11/2003 Chen et al.
 D485,340 S 1/2004 Wu
 6,988,907 B2 1/2006 Chang
 D521,990 S 5/2006 Richter
 D522,843 S 6/2006 Richter
 7,061,386 B2 6/2006 Seresini
 7,080,812 B2 7/2006 Wadsworth
 7,140,553 B2 11/2006 Zobebe
 D538,912 S 3/2007 Kaplan
 7,272,984 B2 9/2007 Fan
 7,284,737 B2 10/2007 Kane
 D566,590 S 4/2008 Stevens et al.
 D589,962 S 4/2009 Maruyama et al.
 7,537,190 B2 5/2009 Fan
 D611,478 S 3/2010 Richardson et al.
 D614,613 S 4/2010 Kim et al.
 D626,541 S 11/2010 Kim et al.
 D630,222 S 1/2011 Lin
 D633,040 S 2/2011 Le et al.
 D643,407 S 8/2011 Behringer et al.
 D645,033 S 9/2011 Quong et al.
 D655,692 S 3/2012 Silverman et al.
 D656,931 S 4/2012 Wikel
 D656,940 S 4/2012 McClelland et al.
 D657,356 S 4/2012 Wikel
 D657,364 S 4/2012 Norman
 D663,726 S 7/2012 Gourley
 D663,735 S 7/2012 Musselman
 D664,147 S 7/2012 Zhao et al.
 D670,295 S 11/2012 Prescott et al.
 D671,950 S 12/2012 Richter
 D689,041 S 9/2013 Hampf
 D690,707 S 10/2013 Minn et al.
 D692,897 S 11/2013 Luijben
 8,727,192 B2 5/2014 Lai
 8,757,461 B2 6/2014 Zanetti
 D708,603 S 7/2014 Kim
 D709,066 S 7/2014 Byun
 D709,074 S 7/2014 Tsui et al.
 D713,398 S 9/2014 Alesi et al.
 D715,790 S 10/2014 Conomos et al.
 D715,791 S 10/2014 Yu
 8,857,687 B1 10/2014 An
 D716,788 S 11/2014 Volkan
 D717,289 S 11/2014 Takabatake
 D718,298 S 11/2014 Aspinall et al.
 D720,759 S 1/2015 Deng et al.



US D845,961 S

Page 2

D723,311 S	3/2015	Jiang et al.	
D724,072 S	3/2015	Jiang et al.	
D726,175 S	4/2015	Tsai et al.	
D727,333 S	4/2015	Shih et al.	
D733,548 S	7/2015	Brown et al.	
D733,697 S	7/2015	Palan et al.	
D735,112 S	7/2015	Deng et al.	
9,080,714 B2	7/2015	Minn	
D738,873 S	9/2015	Kim et al.	
D750,612 S	3/2016	Chen	
D750,633 S	3/2016	Minn et al.	
D756,366 S	5/2016	Floersch et al.	
D757,705 S	5/2016	Esses	
D765,646 S	9/2016	Deng et al.	
D765,651 S	9/2016	Liu et al.	
D767,556 S *	9/2016	Lee	D12/415
D768,125 S	10/2016	Kim	
D769,860 S	10/2016	Xiao	
D774,382 S	12/2016	Richter	
D775,115 S *	12/2016	Ormsbee	D14/253
D778,714 S	2/2017	McSweyn et al.	
D780,168 S	2/2017	Du	
9,573,531 B2	2/2017	Zhang	
D782,462 S	3/2017	Huang	
9,586,530 B2	3/2017	Kim	
D783,012 S	4/2017	Lee	
D783,592 S	4/2017	Ju	
D783,593 S *	4/2017	Chen	D14/253
D789,920 S *	6/2017	Zhang	D14/253
9,718,412 B2	8/2017	Minn et al.	
D796,421 S *	9/2017	Huang	D12/415
D797,750 S	9/2017	Wengreen	
D799,466 S	10/2017	Sukphist et al.	
D802,404 S *	11/2017	Turksu	D8/373
D806,064 S	12/2017	Lee	
D807,339 S *	1/2018	Lan	D14/253
D826,749 S *	8/2018	Halbertsma	D10/74
D826,918 S *	8/2018	Lebovitz	D14/253
D831,660 S *	10/2018	Yao	D14/447
D831,661 S *	10/2018	Yao	D14/447
10,122,400 B2 *	11/2018	Tiller	H04B 1/3877
2005/0127538 A1	6/2005	Fabrega	
2005/0236541 A1	10/2005	Chang	
2007/0001025 A1	1/2007	Caserta et al.	
2007/0284500 A1	12/2007	Fan	
2008/0190978 A1	8/2008	Brassard	
2008/0224007 A1	9/2008	Mo	
2009/0060473 A1	3/2009	Kohte et al.	
2010/0019059 A1	1/2010	Bulsink et al.	
2011/0019992 A1	1/2011	Orf	
2011/0143583 A1	6/2011	Zilmer et al.	
2011/0148352 A1	6/2011	Wang et al.	
2011/0278885 A1	11/2011	Procter et al.	
2012/0205503 A1	8/2012	Kobal	
2013/0037590 A1	2/2013	Yoon	
2014/0097306 A1	4/2014	Hale et al.	
2014/0103087 A1	4/2014	Fan	
2014/0138419 A1	5/2014	Minn et al.	
2014/0176062 A1	6/2014	Jung	
2015/0072555 A1	3/2015	Riddiford et al.	
2016/0052370 A1	2/2016	Sses	
2016/0082893 A1	3/2016	Ormsbee et al.	
2016/0318455 A1	11/2016	Zhang et al.	
2016/0347257 A1	12/2016	Buchanan	
2016/0373152 A1	12/2016	Schmidt	
2017/0035172 A1	2/2017	Kim	
2017/0313259 A1	11/2017	Vlinn et al.	

FOREIGN PATENT DOCUMENTS

CN	301670390	9/2011
CN	202907016 U	4/2013
DE	202004007340 U1	7/2004
DE	202008010276 U1	11/2008
EP	1031446 A1	8/2000
EP	1902736 A1	3/2008
EP	2835957	4/2015
JP	2003054304 A	2/2003
JP	3151546 U	6/2009

JP	3164223 U	11/2010
JP	D1420793	7/2011
JP	D1420793	8/2011
JP	D1453628	10/2012
JP	D1487823	1/2014
KR	10-2000-0044438	7/2000
KR	20-0429528	10/2006
KR	10-2012-0125933	11/2012
TW	D103373	3/2005
TW	D149647	10/2012
TW	D178656	10/2016
WO	9604153	2/1996
WO	WO2004091673 A1	10/2004
WO	D066974-001	9/2005
WO	2010002291 A1	1/2010

OTHER PUBLICATIONS

Notice of Allowance dated Jun. 13, 2018, in U.S. Appl. No. 29/607,125, filed Jun. 9, 2017.

Notice of Allowance dated Jun. 13, 2018, in U.S. Appl. No. 29/607,126, filed Jun. 9, 2017.

Notice of Allowance dated Jun. 15, 2018, in U.S. Appl. No. 29/617,062, filed Sep. 11, 2017.

Notice of Allowance dated Jun. 15, 2018, in U.S. Appl. No. 29/617,064, filed Sep. 11, 2017.

Notice of Allowance dated Jun. 11, 2018, in Taiwanese Patent Application No. 106306848.

Arkon Resources Inc., SMH429-SBH Universal Air Vent Swivel Mount with Adjustable Cradle, (downloaded from <https://www.amazon.com/Arkon-Holder-iPhone-Galaxy-Retail/dp/B003XAF4YQ> on Apr. 11, 2017, 9 pages).

Web posting, entitled “[Arkon Air Vent Smartphone Car Mount] Review of SM429-SBH Air Vent Universal Smartphone Car Mount” (Publication Date: Nov. 21, 2010, <http://cafe.naver.com/bjphone/1391925>).

Web posting entitled, “Car Mount for Samsung Galaxy S4 Smartphone [Air Vent Smartphone Car Mount]” (Publication Date: Apr. 29, 2013, <http://blog.naver.com/eeleet/130167208063>).

China Quality Suppliers; “Black or White Car Air Vent Mount Holder/Adjustable Universal Mobile Phone Stand Holder;” <http://www.hebeimanjikefrp.com/sale-2307306-black-or-white-car-air-vent-mount-holder-adjustable-universal-mobile-phone-stand-holder.html>; Copyright 2014-2015.

EXOGEAR; “ExoMount Touch;” <http://www.exogear.com/products-exomount-touch-one-touch-car-mount-holder.html>; Copyright 2013 Exogear.

U.S. Appl. No. 29/607,125, filed Jun. 9, 2017.

U.S. Appl. No. 29/607,126, filed Jun. 9, 2017.

U.S. Appl. No. 29/617,062, filed Sep. 11, 2017.

U.S. Appl. No. 29/617,064, filed Sep. 11, 2017.

U.S. Appl. No. 29/625,650, filed Nov. 10, 2017.

U.S. Appl. No. 29/625,651, filed Nov. 10, 2017.

U.S. Appl. No. 29/638,301, filed Feb. 26, 2018.

U.S. Appl. No. 29/638,303, filed Feb. 26, 2018.

Pearl Automation, Pearl Magnetic Car Phone Mount—Vent or Dashboard Cell Phone Holder for Car or Truck, Publication Date: May 2017 {earliest/exact publication date unknown}, <https://www.amazon.com/Pearl-Magnetic-Car-Phone-Mount/dp/B01M0DNYIV>.

Elongdi, Elongdi Air Vent Magnetic Car Mount 360 Degree Rotating Car Phone Mount Holder Compatible with iPhone 6 6S Plus 5 Galaxy S7 S6 edge S5 Sony HTC LG, Publication Date: May 2017 {earliest/exact publication date unknown}, https://www.amazon.com/gp/product/B01LXY2N6R/ref=oh_aui_search_detailpage?ie=UTF8&psc=1.

Iottie, iOttie iTap Magnetic Air Vent Premium Car Mount Holder Cradle for iPhone X 818s 7 7 Plus 6s Plus 6s 6 SE Samsung Galaxy S8 Plus S8 Edge S7 S6 Note 8 5, Publication Date: May, 2017 {earliest/exact publication date unknown}, https://www.amazon.com/gp/product/B00Q3G8LPQ/ref=oh_aui_search_detailpage?ie=UTF8&psc=1.

ZTECHWORLD, Ztechworld Universal Suction Cup Car Mount Mobile Phone Holder for iPhone 7 Plus 6S 6/ Samsun, Galaxy S7 S6 Edge Note 3 4 5/ Android Phones and More, Sticky Silicone Base, 360 Rotation, Red Clip, Publication Date: May 2017 {earliest/exact publication date unknown}, https://www.amazon.com/Ztechworld-Universal-Suction-Silicone-Rotation/dp/B06XGWRX9V/ref=sr_1_11?s=wireless&ie=UTF8&qid=1507681675&sr=1-11&keywords=suction+cup+phone+mount.

LAX Gadgets, LAX Universal Dashboard-mounted Smart Phone Holder with Non-Slip Grip Bracket—Compatible with Most Smartphones & Mini Tablets—360 Degrees Swivel Mount—Super Stable Suction Cup Car Mount, Publication Date: May 2017 {earliest/exact publication date unknown}, https://www.amazon.com/LAX-Universal-Dashboard-mounted-Non-Slip-Bracket/dp/B073SKDVLW/ref=sr_1_43?s=wireless&ie=UTF8&qid=1507681896&sr=1-43&keywords=suction+cup+phone+mount.

Ottie, iOttie Easy View 2 Car Mount Holder for iPhone 7 7 Plus, 6s Plus 6s 5s 5c, Samsung Galaxy S8 S7 Edge Plus S7 S6, Note 5 -Retail Packaging—Black, Publication Date: May 2017 {earliest/exact publication date unknown}, https://www.amazon.com/iOttie-Holder-Samsung-Retail-Packaging/dp/B00JUXPJWE/ref=sr_1_13?s=wireless&ie=UTF8&qid=1507682834&sr=1-13&keywords=iottie.

* cited by examiner

Primary Examiner — Angela J Lee
(74) *Attorney, Agent, or Firm* — Vierra Magen Marcus
LLP

(57) **CLAIM**

The ornamental design for a vent attachment portion of a dashboard vent mount for an electronic device, as shown and described.

DESCRIPTION

FIG. 1 is a rear perspective view of a vent attachment portion of a dashboard vent mount for an electronic device with its vent attachment jaws in a closed position;

FIG. 2 is a front perspective view of the vent attachment portion of the dashboard vent mount for an electronic device with its vent attachment jaws in the closed position;

FIG. 3 is a front elevational view of the vent attachment portion of the dashboard vent mount for an electronic device with its vent attachment jaws in the closed position;

FIG. 4 is a rear elevational view of the vent attachment portion of the dashboard vent mount for an electronic device with its vent attachment jaws in the closed position;

FIG. 5 is a top plan view of the vent attachment portion of the dashboard vent mount for an electronic device with its vent attachment jaws in the closed position;

FIG. 6 is a bottom plan view of the vent attachment portion of the dashboard vent mount for an electronic device with its vent attachment jaws in the closed position;

FIG. 7 is a right elevational view of the vent attachment portion of the dashboard vent mount for an electronic device with its vent attachment jaws in the closed position;

FIG. 8 is a left elevational view of the vent attachment portion of the dashboard vent mount for an electronic device with its vent attachment jaws in the closed position;

FIG. 9 is a rear perspective view of the vent attachment portion of the dashboard vent mount for an electronic device with its vent attachment jaws in an open position;

FIG. 10 is a front perspective view of the vent attachment portion of the dashboard vent mount for an electronic device with its vent attachment jaws in the open position;

FIG. 11 is a front elevational view of the vent attachment portion of a dashboard vent mount for an electronic device with its vent attachment jaws in the open position;

FIG. 12 is a rear elevational view of the vent attachment portion of a dashboard vent mount for an electronic device with its vent attachment jaws in the open position; and,

FIG. 13 is a right elevational view of the vent attachment portion of a dashboard vent mount for an electronic device with its vent attachment jaws in the open position, with the left elevation view of the vent attachment portion of a dashboard vent mount for an electronic device with its vent attachment jaws in the open position being a mirror image of the right elevation view in FIG. 13.

The broken lines in FIGS. 1-11 and 13 represent unclaimed portions of the claimed design and form no part of the claimed design.

1 Claim, 2 Drawing Sheets

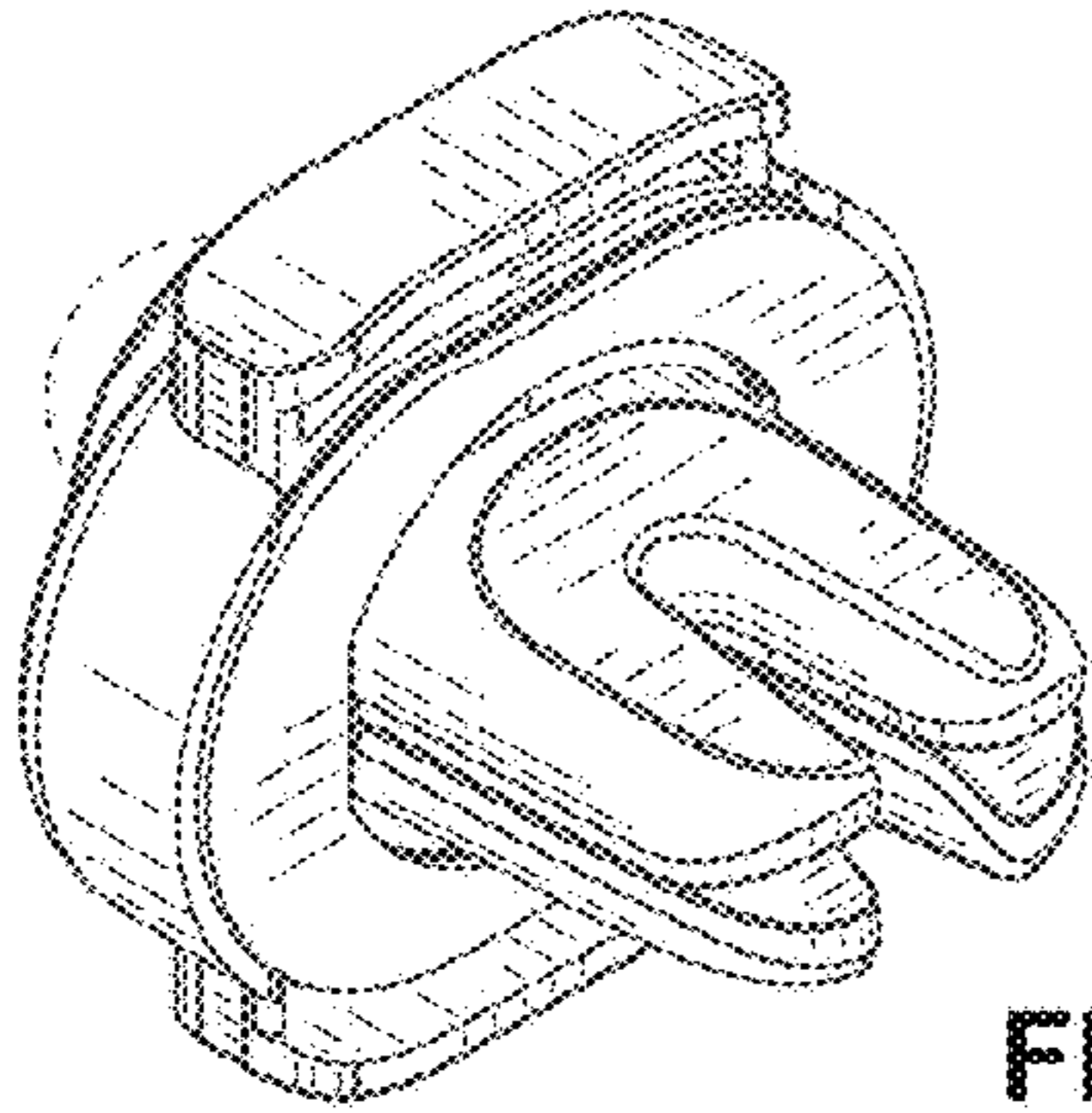


FIG. 1

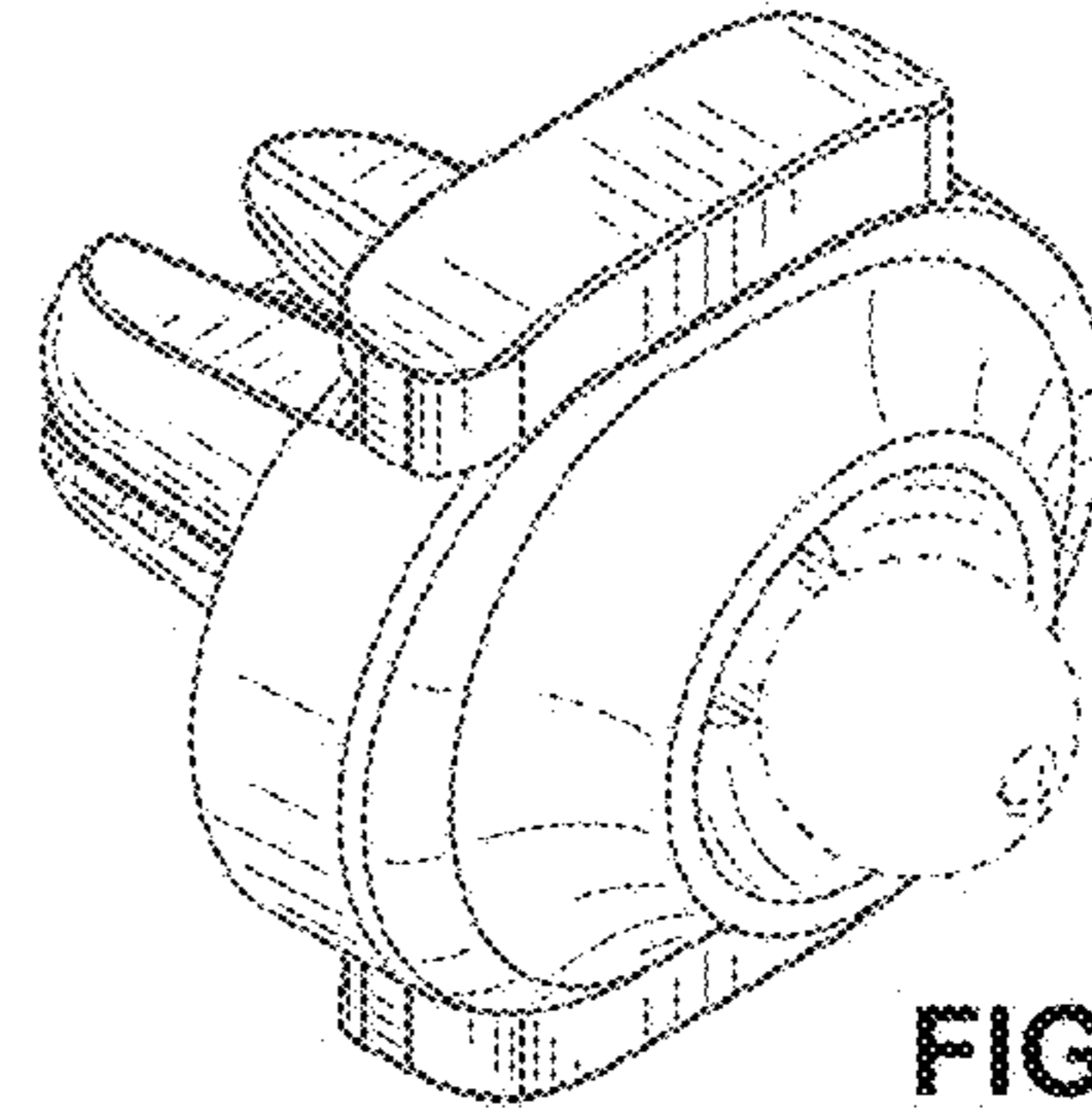


FIG. 2

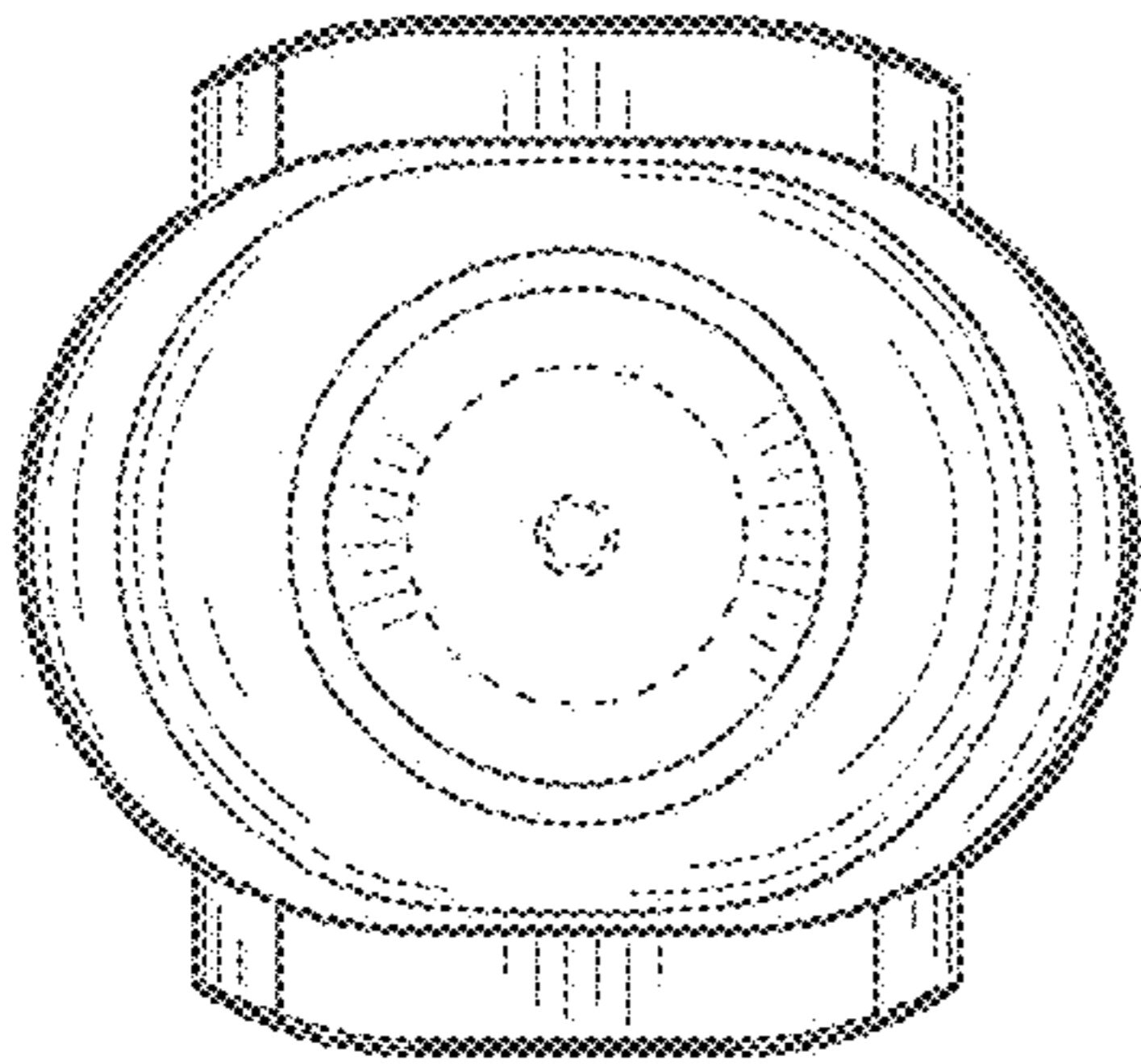


FIG. 3

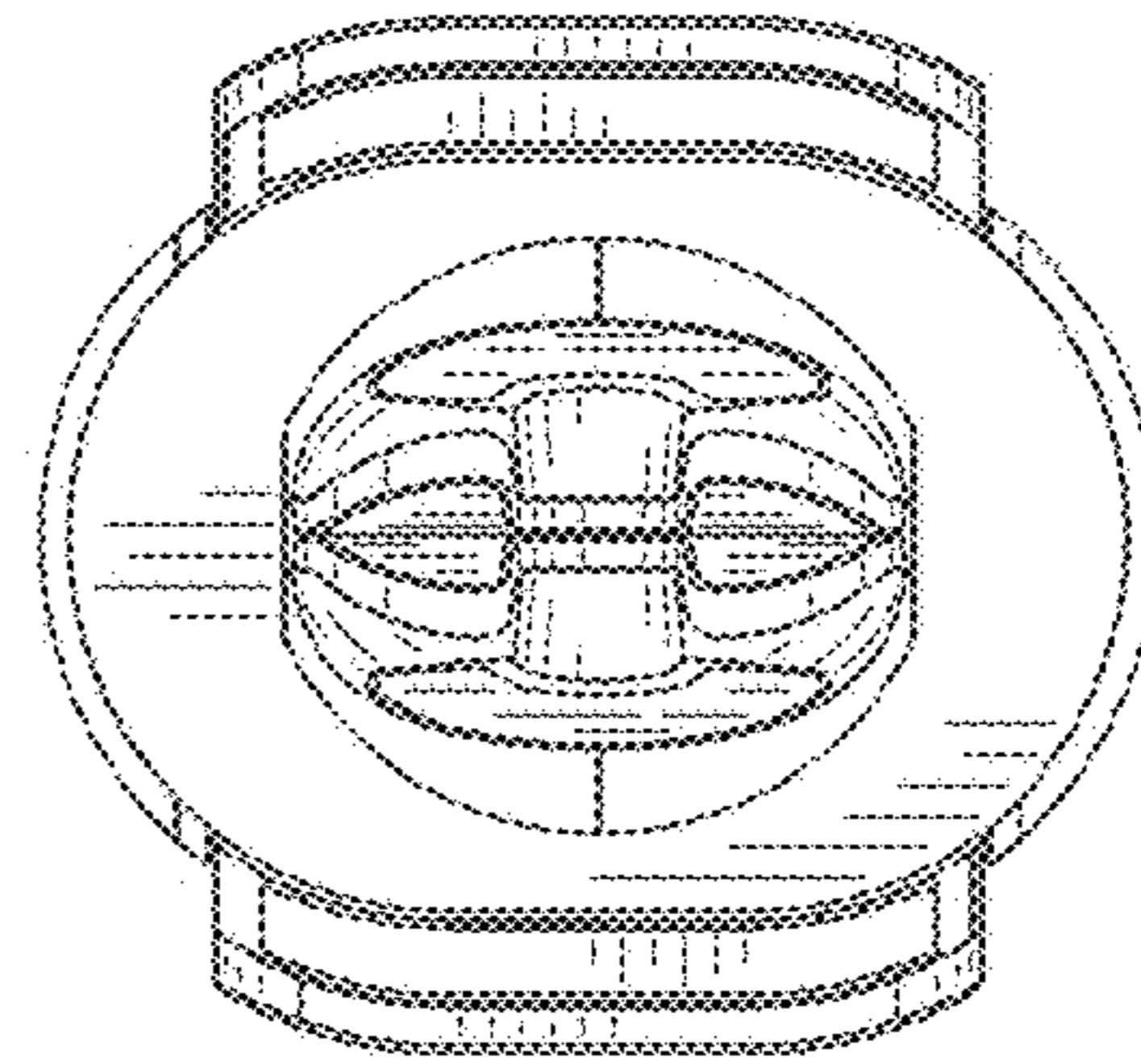


FIG. 4

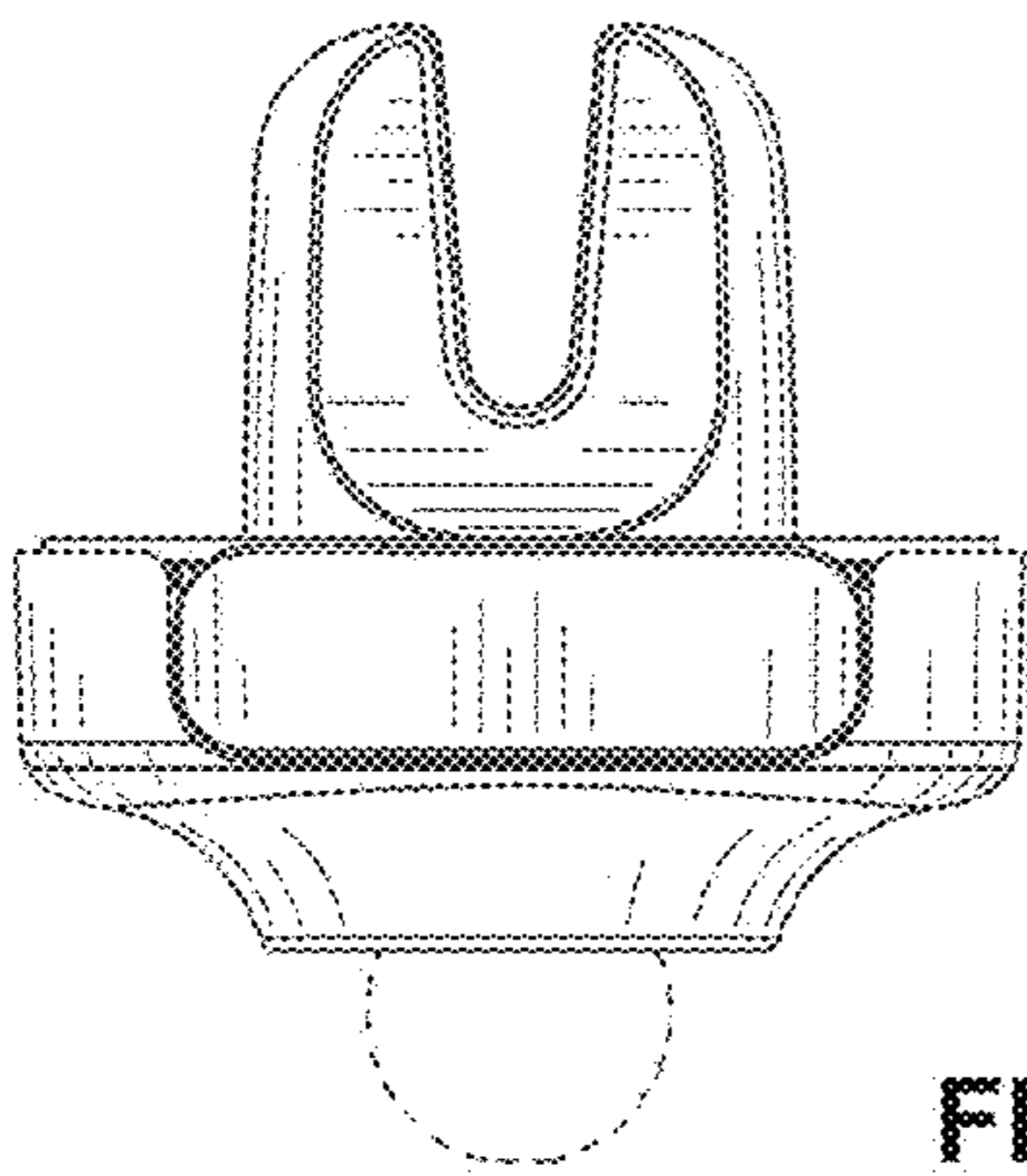


FIG. 5

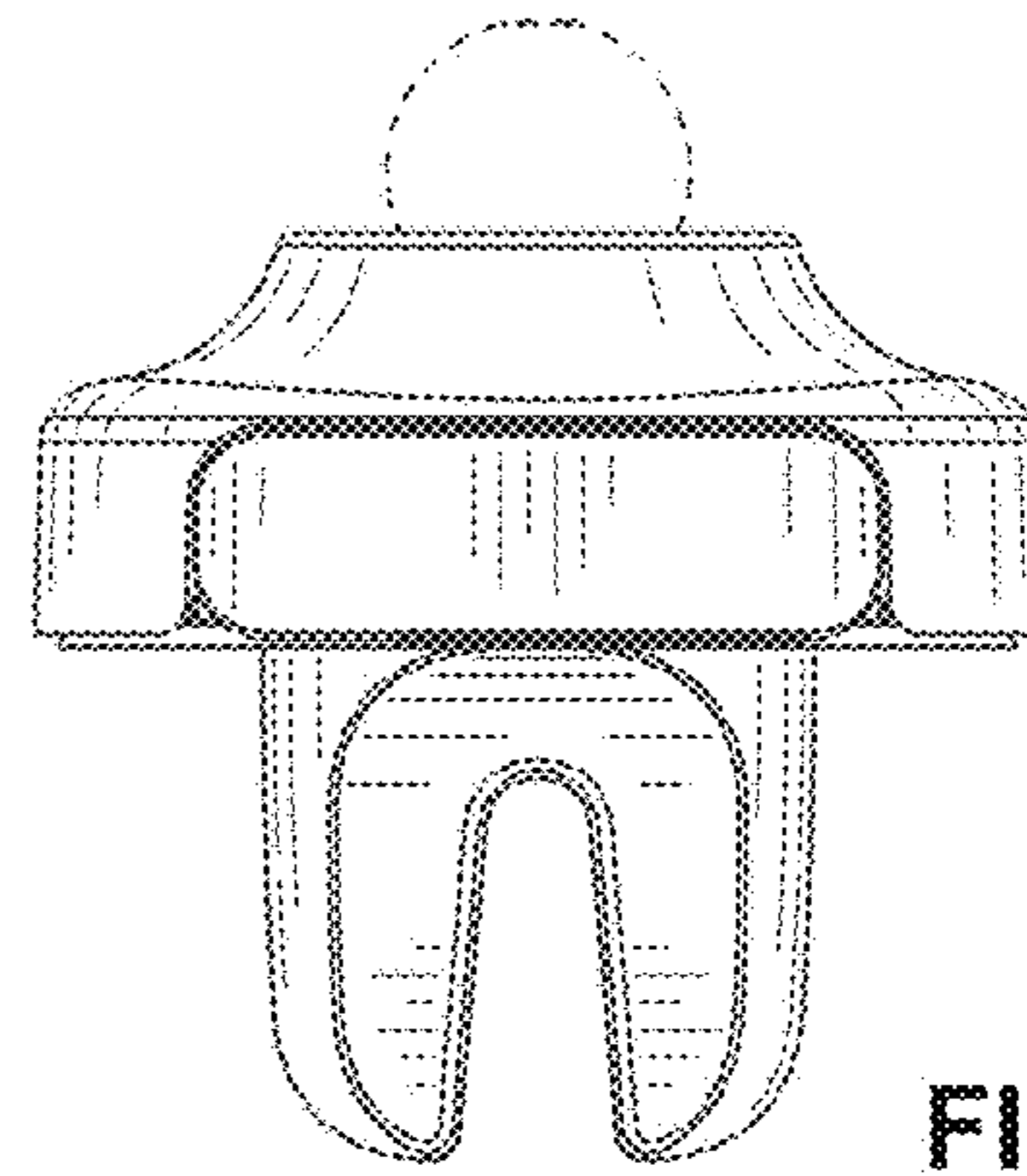


FIG. 6

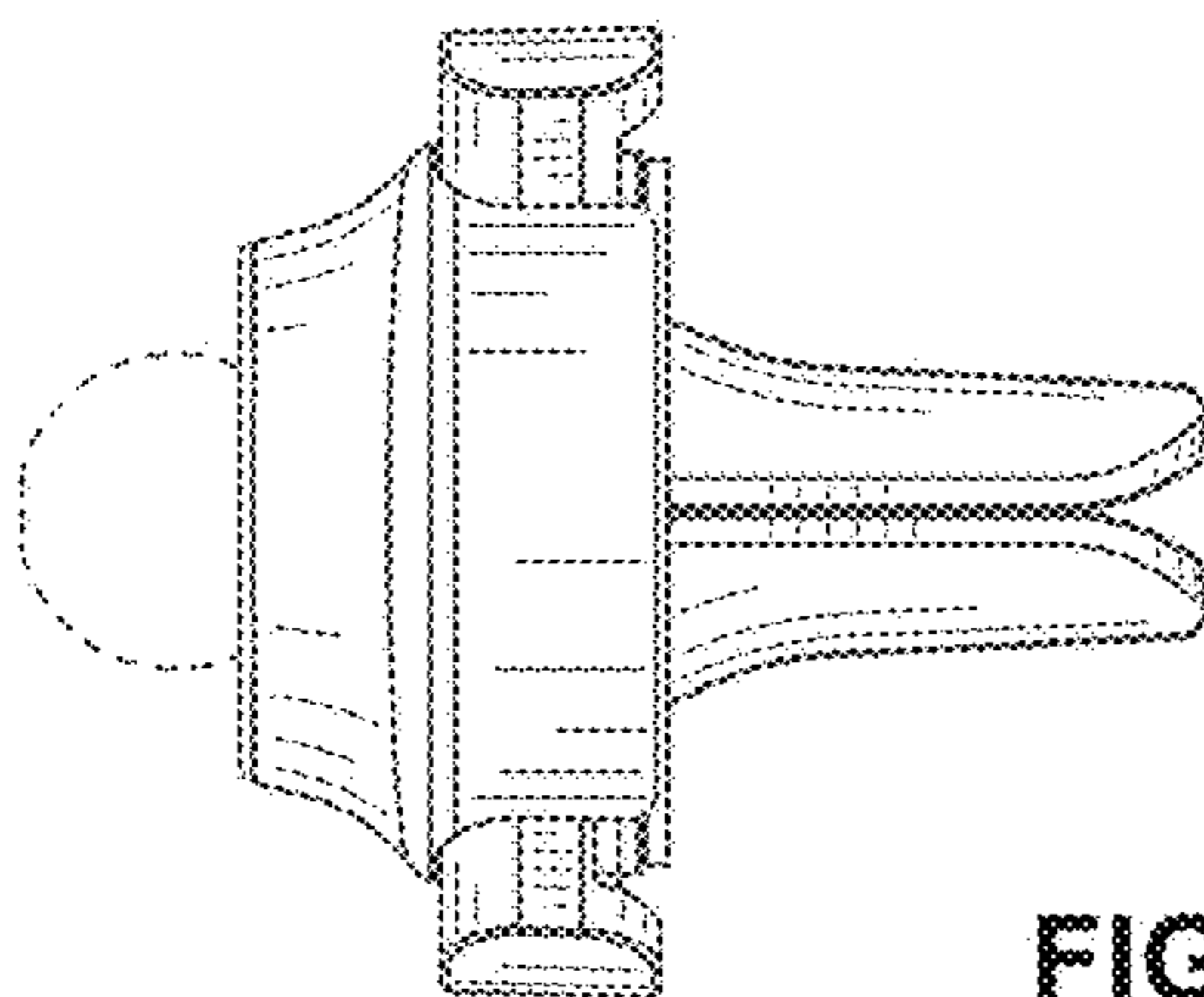


FIG. 7

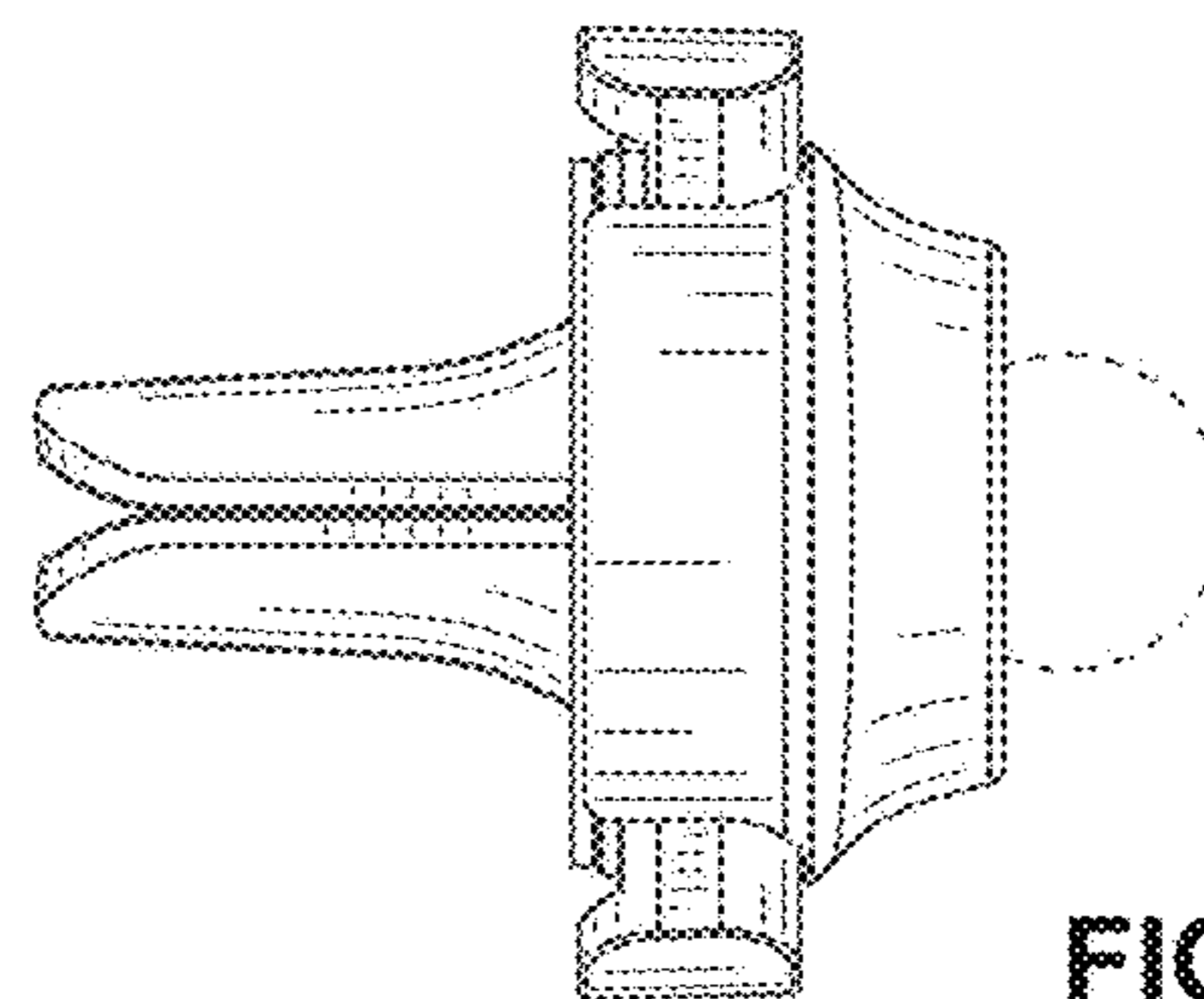


FIG. 8

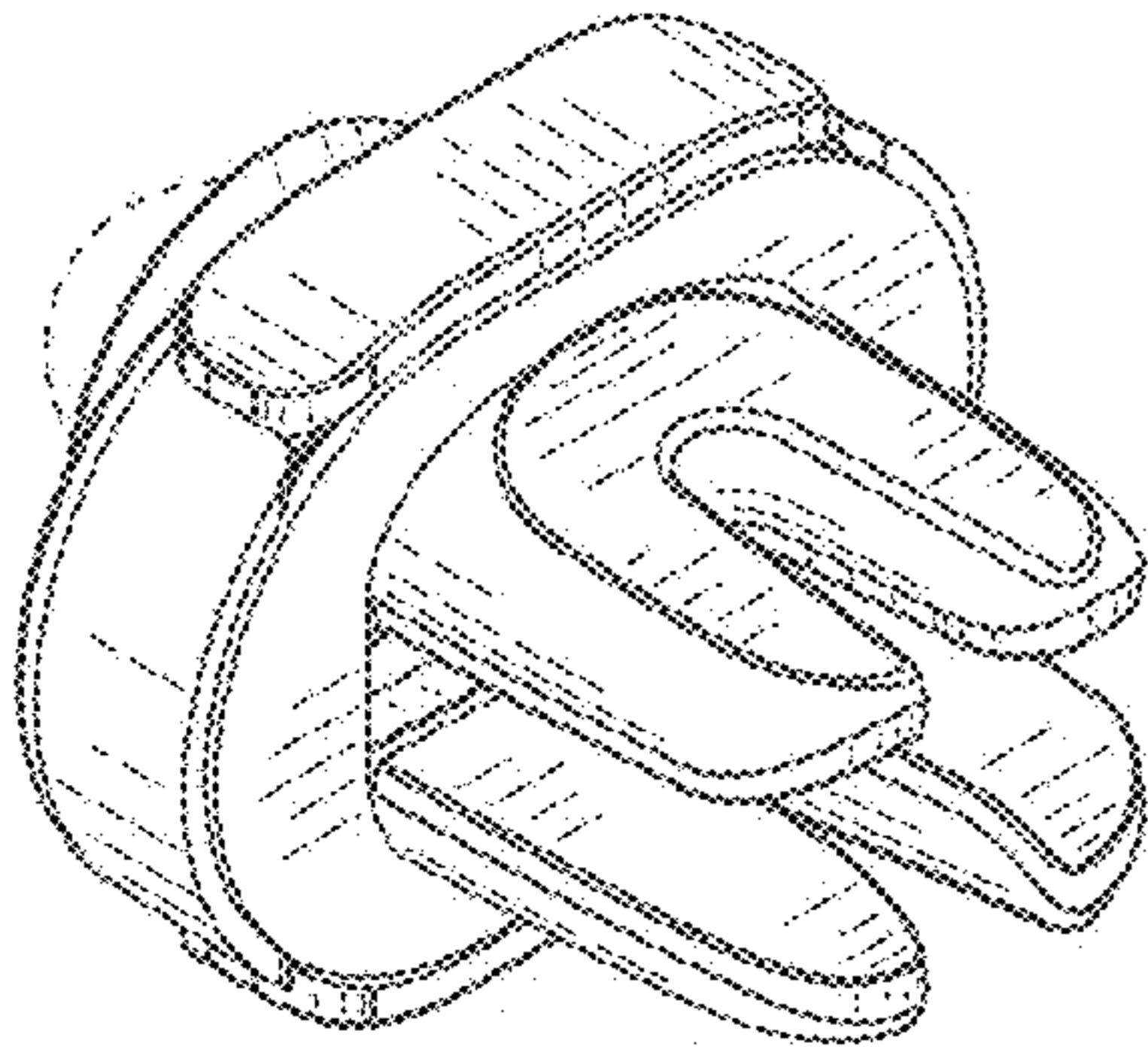


FIG. 9

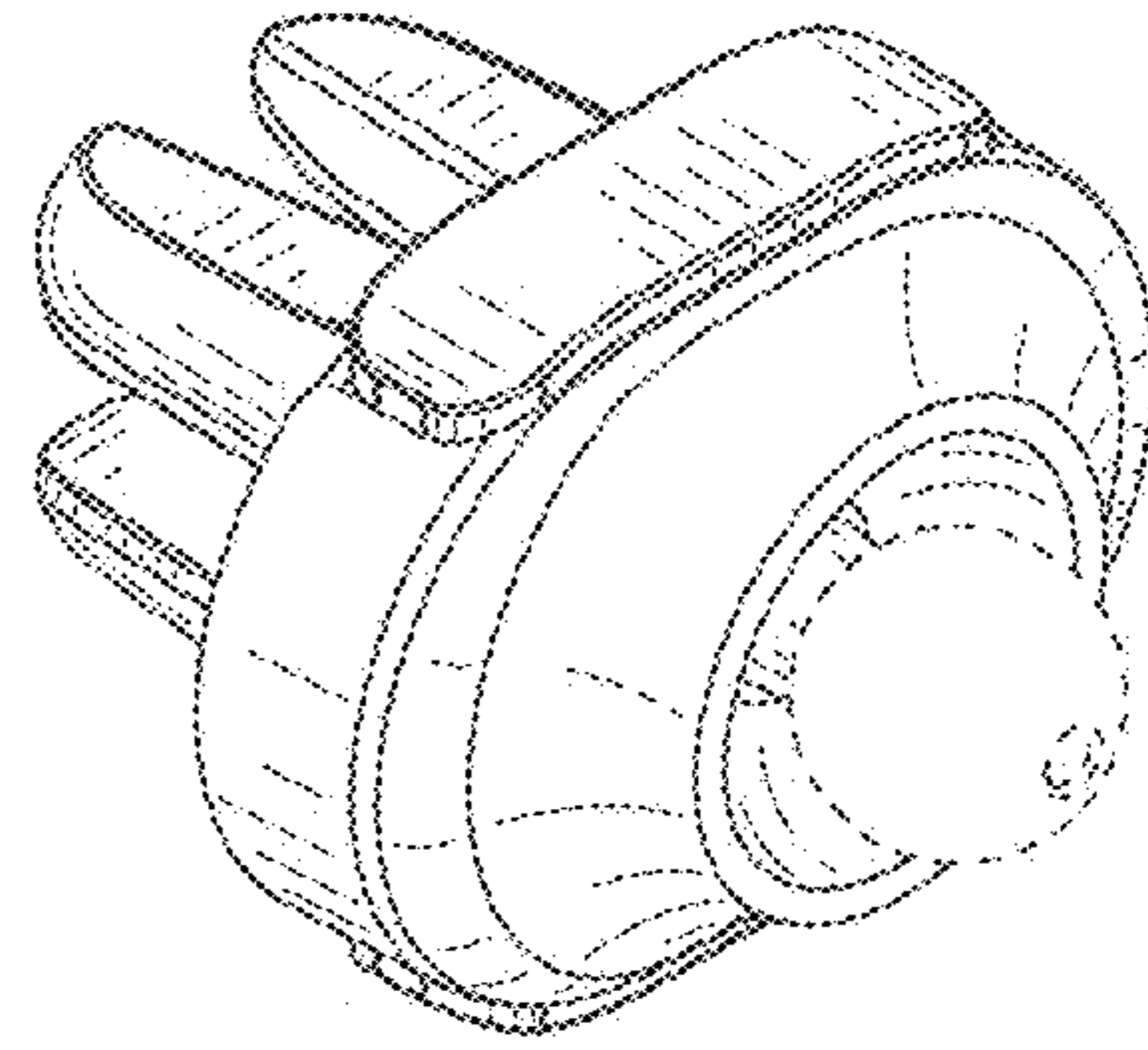


FIG. 10

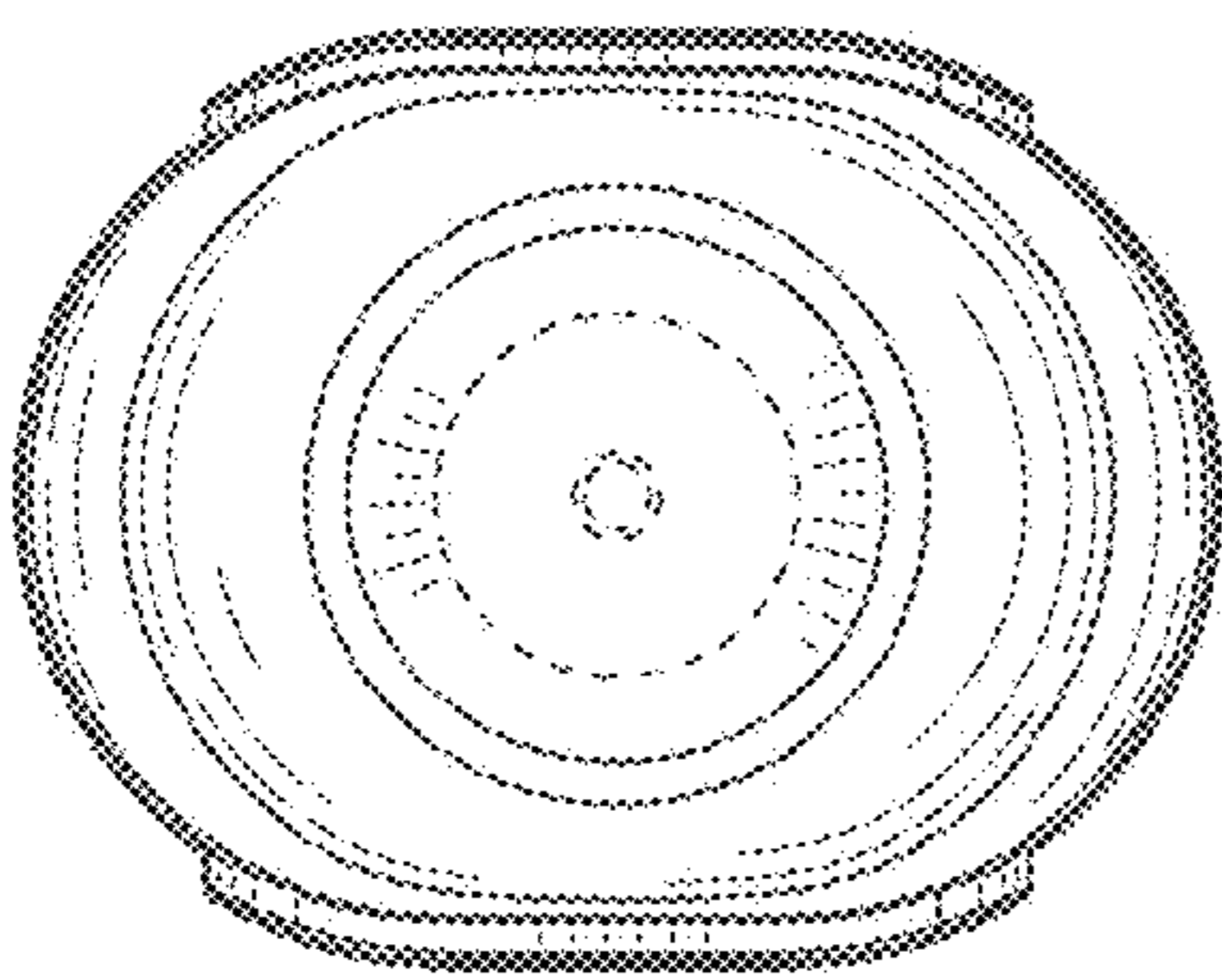


FIG. 11

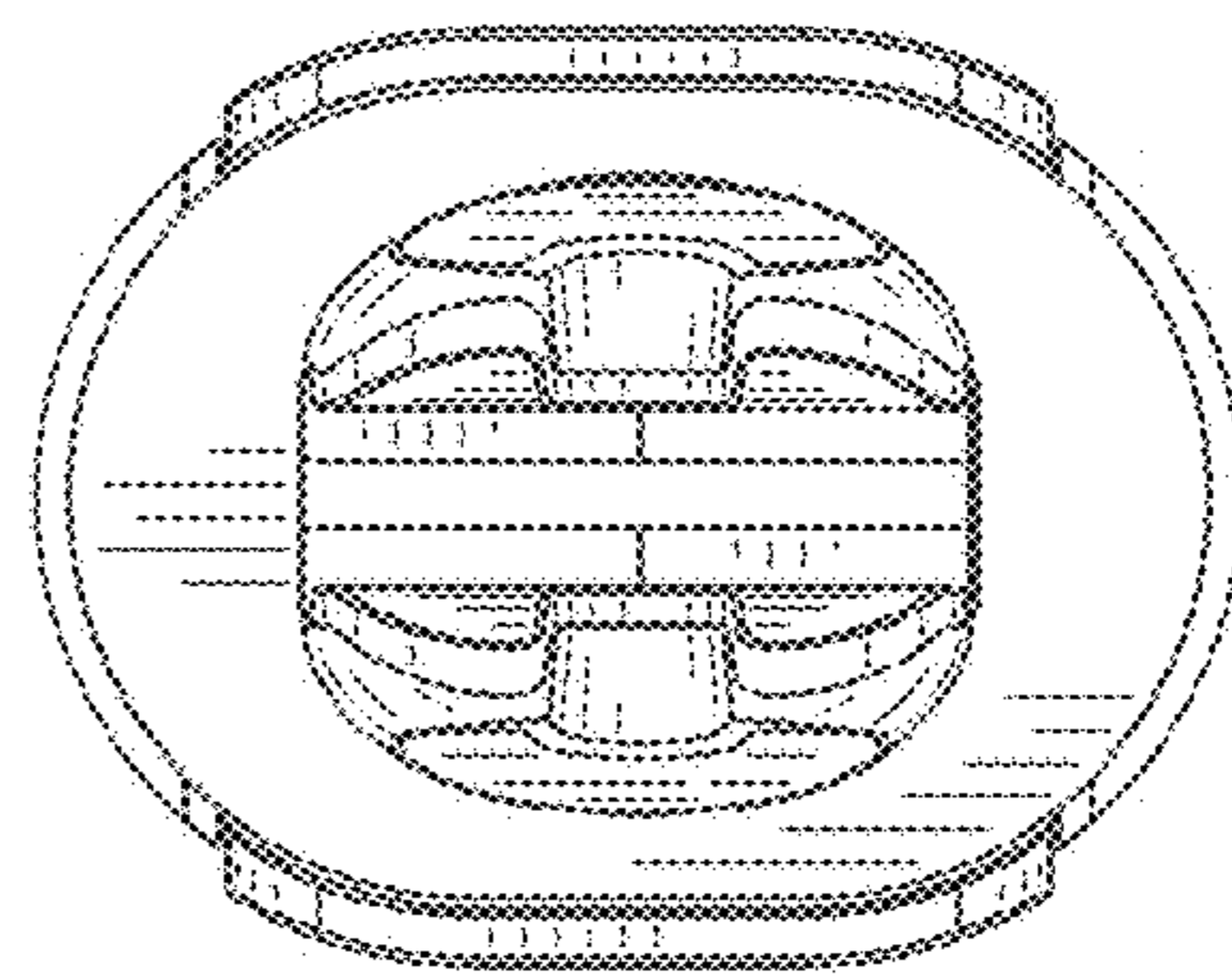


FIG. 12

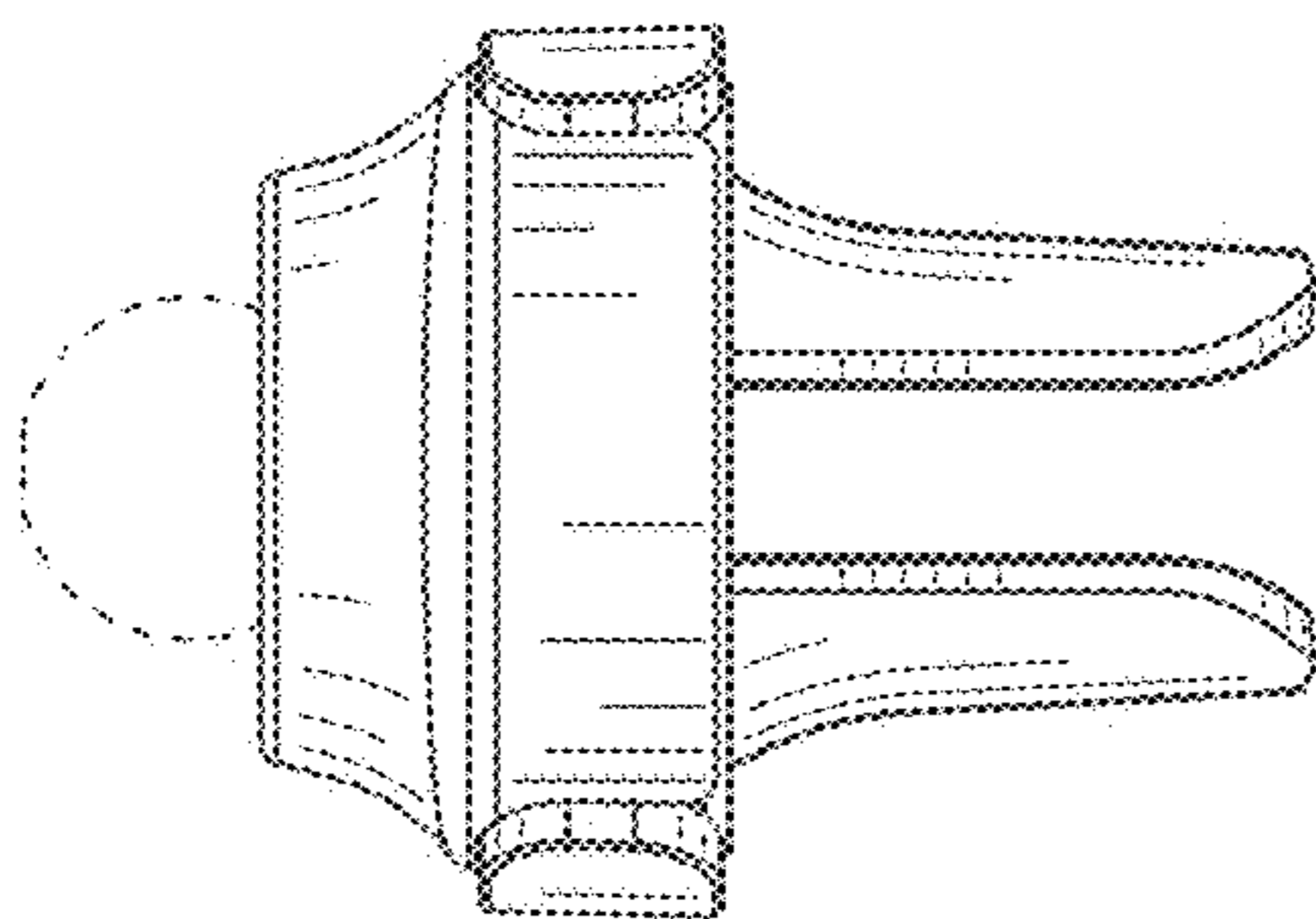


FIG. 13