



US00D845960S

(12) **United States Design Patent**
Yao et al.

(10) **Patent No.:** **US D845,960 S**
(45) **Date of Patent:** **** Apr. 16, 2019**

- (54) **ELECTRONIC DEVICE ATTACHMENT PORTION OF A DASHBOARD VENT MOUNT FOR AN ELECTRONIC DEVICE**
- (71) Applicant: **Kenu, Inc.**, San Francisco, CA (US)
- (72) Inventors: **David E. Yao**, San Francisco, CA (US); **Leonard John Duran**, Mill Valley, CA (US); **Gregory D. Caneer**, Oakland, CA (US); **Kenneth Y. Minn**, San Francisco, CA (US)
- (73) Assignee: **KENU, INC.**, San Francisco, CA (US)
- (**) Term: **15 Years**
- (21) Appl. No.: **29/663,047**
- (22) Filed: **Sep. 11, 2018**

6,366,672	B1	4/2002	Tsay
6,441,872	B1	8/2002	Ho
D482,039	S	11/2003	Chen et al.
D485,340	S	1/2004	Wu
6,988,907	B2	1/2006	Chang
D521,990	S	5/2006	Richter
D522,843	S	6/2006	Richter
7,061,386	B2	6/2006	Seresini
7,080,812	B2	7/2006	Wadsworth
7,140,553	B2	11/2006	Zobebe
D538,912	S	3/2007	Kaplan
7,272,984	B2	9/2007	Fan
7,284,737	B2	10/2007	Kane
D566,590	S	4/2008	Stevens et al.
D589,962	S	4/2009	Maruyama et al.
7,537,190	B2	5/2009	Fan
D611,478	S	3/2010	Richardson et al.
D614,613	S	4/2010	Kim et al.
D626,541	S	11/2010	Kim et al.
D630,222	S	1/2011	Lin
D633,040	S	2/2011	Le et al.
D643,407	S	8/2011	Behringer et al.
D645,033	S	9/2011	Quong et al.
D655,692	S	3/2012	Silverman et al.
D656,931	S	4/2012	Wikel
D656,940	S	4/2012	McClelland et al.
D657,356	S	4/2012	Wikel
D657,364	S	4/2012	Norman
D663,726	S	7/2012	Gourley
D663,735	S	7/2012	Musselman
D664,147	S	7/2012	Zhao et al.
D670,295	S	11/2012	Prescott et al.
D671,950	S	12/2012	Richter
D689,041	S	9/2013	Hampf
D690,707	S	10/2013	Minn et al.
D692,897	S	11/2013	Luijiben
8,727,192	B2	5/2014	Lai
8,757,461	B2	6/2014	Zanetti
D708,603	S	7/2014	Kim et al.
D709,066	S	7/2014	Byun
D709,074	S	7/2014	Tsui et al.
D713,398	S	9/2014	Alesi et al.
D715,790	S	10/2014	Conomos et al.
D715,791	S	10/2014	Yu
8,857,687	B1	10/2014	An
D716,788	S	11/2014	Volkan
D717,289	S	11/2014	Takabatake
D718,298	S	11/2014	Aspinall et al.
D720,759	S	1/2015	Deng et al.
D723,311	S	3/2015	Jian et al.
D724,072	S	3/2015	Jiang et al.
D726,175	S	4/2015	Tsai et al.
D727,333	S	4/2015	Shih et al.

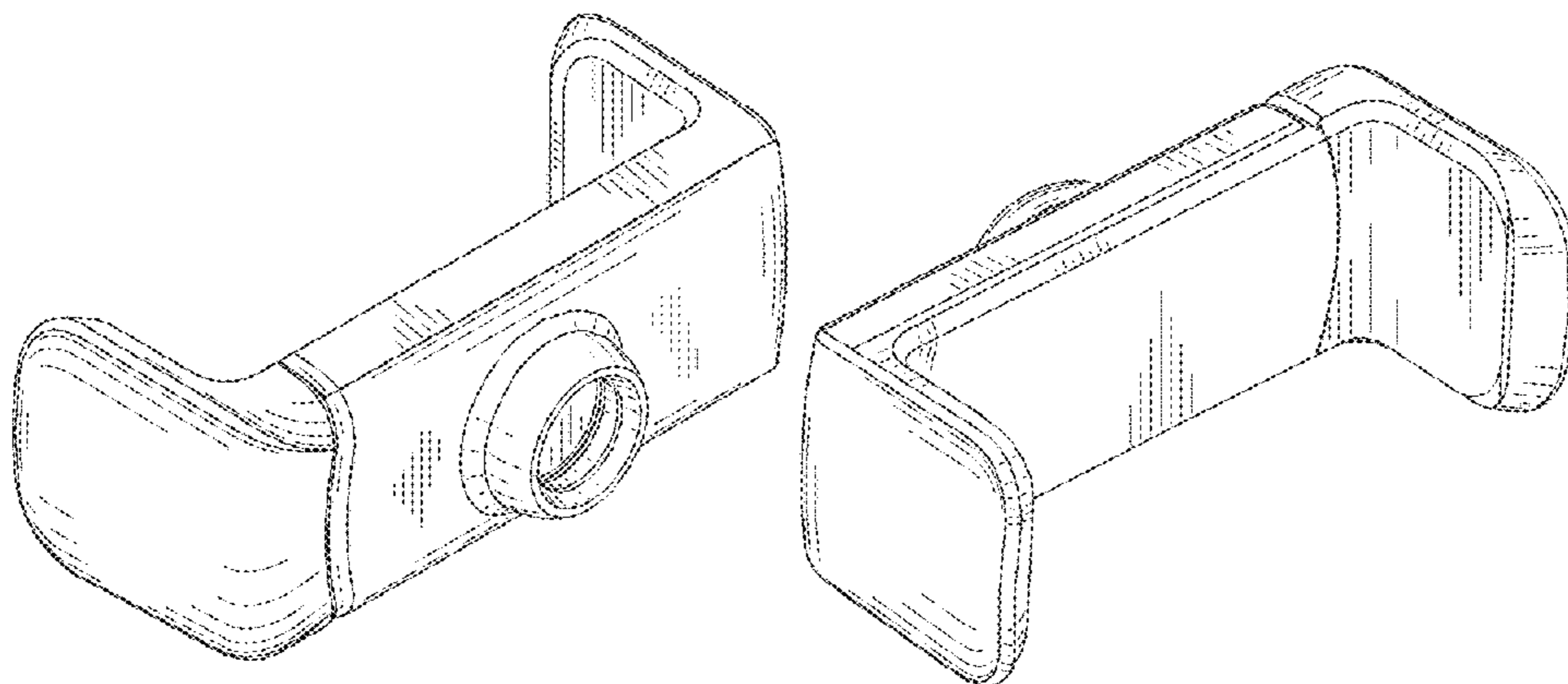
Related U.S. Application Data

- (62) Division of application No. 29/607,125, filed on Jun. 9, 2017, now Pat. No. Des. 831,660.
- (51) **LOC (11) Cl.** **08-07**
- (52) **U.S. Cl.**
USPC **D14/447**
- (58) **Field of Classification Search**
USPC D14/447, 432, 434, 439, 440, 451, 452, D14/457, 239, 251, 253; D8/363, 373, D8/380; D6/406.3, 406.4, 406.5, 406.6; D12/415
CPC A47B 21/04; A47B 2097/006; A47B 2097/005; A47B 2023/049; A45C 2011/002; A45C 2011/003; F16M 2200/00; F16M 13/00
See application file for complete search history.

(56) **References Cited**

U.S. PATENT DOCUMENTS

2,580,625	A	1/1952	Waltz
4,797,916	A	1/1989	Kojima
5,109,411	A	4/1992	O'Connell
5,305,381	A	4/1994	Wang
5,338,252	A	8/1994	Bowler et al.
5,979,724	A	11/1999	Loewenthal et al.
6,103,201	A	8/2000	Green
6,149,116	A	11/2000	Won



US D845,960 S

D733,115	S	*	6/2015	Aspinall	D14/253
D733,548	S		7/2015	Brown et al.		
D733,697	S		7/2015	Palan et al.		
D735,112	S		7/2015	Deng et al.		
9,080,714	B2		7/2015	Minn et al.		
D738,873	S		9/2015	Kim et al.		
D750,612	S		3/2016	Chen		
D750,633	S		3/2016	Minn et al.		
D756,366	S		5/2016	Floersch et al.		
D757,705	S	*	5/2016	Esses	D14/251
D765,646	S		9/2016	Deng et al.		
D765,651	S		9/2016	Liu et al.		
D767,556	S	*	9/2016	Lee	D12/415
D768,125	S	*	10/2016	Kim	D14/253
D769,860	S		10/2016	Xiao		
D774,382	S		12/2016	Richter		
D778,714	S		2/2017	McSweyn et al.		
D780,168	S	*	2/2017	Du	D14/253
9,573,531	B2		2/2017	Zhang		
D782,462	S	*	3/2017	Huang	D14/253
9,586,530	B2		3/2017	Kim		
D783,012	S		4/2017	Lee		
D783,592	S		4/2017	Ju		
D783,593	S		4/2017	Chen		
D789,920	S		6/2017	Zhang		
9,718,412	B2		8/2017	Minn et al.		
D796,421	S	*	9/2017	Huang	D12/415
D797,750	S		9/2017	Wengreen		
D799,466	S	*	10/2017	Sukphist	D14/253
D802,404	S		11/2017	Turksu et al.		
D806,064	S		12/2017	Lee		
D823,846	S	*	7/2018	Chen	D14/251
D826,225	S	*	8/2018	Chen	D14/253
D831,660	S	*	10/2018	Yao	D14/447
D831,665	S	*	10/2018	Yao	D14/447
2005/0127538	A1		6/2005	Fabrega		
2005/0236541	A1		10/2005	Chang		
2007/0001025	A1		1/2007	Caserta et al.		
2007/0284500	A1		12/2007	Fan		
2008/0190978	A1		8/2008	Brassard		
2008/0224007	A1		9/2008	Mo		
2009/0060473	A1		3/2009	Kohte et al.		
2010/0019059	A1		1/2010	Bulsink et al.		
2011/0019992	A1		1/2011	Orf		
2011/0143583	A1		6/2011	Zilmer et al.		
2011/0148352	A1		6/2011	Wang et al.		
2011/0278885	A1		11/2011	Procter et al.		
2012/0205503	A1		8/2012	Kobal		
2013/0037590	A1		2/2013	Yoon		
2014/0097306	A1		4/2014	Hale et al.		
2014/0103087	A1		4/2014	Fan		
2014/0138419	A1		5/2014	Minn et al.		
2014/0176062	A1		6/2014	Jung		
2015/0072555	A1		3/2015	Riddiford et al.		
2016/0052370	A1		2/2016	Esses		
2016/0082893	A1		3/2016	Ormsbee et al.		
2016/0318455	A1		11/2016	Zhang et al.		
2016/0347257	A1		12/2016	Buchanan		
2016/0373152	A1		12/2016	Schmidt		
2017/0035172	A1		2/2017	Kim		
2017/0313259	A1		11/2017	Minn et al.		
2018/0043840	A1	*	2/2018	Minn	B60R 11/02

FOREIGN PATENT DOCUMENTS

CN	301670390		9/2011
CN	202907016	U	4/2013
DE	202004007340	U1	7/2004
DE	202008010276	U1	11/2008
EP	1031446	A1	8/2000
EP	1902736	A1	3/2008
EP	2835957		4/2015
JP	2003054304	A	2/2003
JP	3151546	U	6/2009
JP	3164223	U	11/2010
JP	D1415725		5/2011
JP	D1420793		7/2011
JP	D1420793		8/2011
JP	D1453628		10/2012

JP	D1487823		1/2014
KR	10-2000-0044438		7/2000
KR	20-0429528		10/2006
KR	10-2012-0125933		11/2012
TW	D103373		3/2005
TW	D149647		10/2012
TW	D178656		10/2016
WO	WO 9604153		2/1996
WO	WO2004091673	A1	10/2004
WO	D066974-001		9/2005
WO	2010002291	A1	1/2010

OTHER PUBLICATIONS

Arkon Resources Inc., SMH429-SBH Universal Air Vent Swivel Mount with Adjustable Cradle, (downloaded from <https://www.amazon.com/Arkon-Holder-iPhone-Galaxy-Retail/dp/B003XAF4YQ> on Apr. 11, 2017, 9 pages).
 Web posting, entitled “[Arkon Air Vent Smartphone Car Mount] Review of SM429-SBH Air Vent Universal Smartphone Car Mount” (Publication Date: Nov. 21, 2010, <http://cafe.naver.com/bjphone/1391925>).
 Web posting entitled, “Car Mount for Samsung Galaxy S4 Smartphone [Air Vent Smartphone Car Mount]” (Publication Date: Apr. 29, 2013, <http://blog.naver.com/eeleet/130167208063>).
 China Quality Suppliers; “Black or White Car Air Vent Mount Holder/Adjustable Universal Mobile Phone Stand Holder;” <http://www.hebeimanjikefrp.com/sale-2307306-black-or-white-car-air-vent-mount-holder-adjustable-universal-mobile-phone-stand-holder.html>; Copyright 2014-2015.
 Exogear; “ExoMount Touch;” <http://www.exogear.com/products-exomount-touch-one-touch-car-mount-holder.html>; Copyright 2013 Exogear.
 U.S. Appl. No. 29/607,125, filed Jun. 9, 2017.
 U.S. Appl. No. 29/607,126, filed Jun. 9, 2017.
 U.S. Appl. No. 29/617,062, filed Sep. 11, 2017.
 U.S. Appl. No. 29/617,064, filed Sep. 11, 2017.
 U.S. Appl. No. 29/625,650, filed Nov. 10, 2017.
 U.S. Appl. No. 29/625,651, filed Nov. 10, 2017.
 U.S. Appl. No. 29/638,301, filed Feb. 26, 2018.
 U.S. Appl. No. 29/638,303, filed Feb. 26, 2018.
 Notice of Allowance dated Jun. 13, 2018, in U.S. Appl. No. 29/607,125, filed Jun. 9, 2017.
 Notice of Allowance dated Jun. 13, 2018, in U.S. Appl. No. 29/607,126, filed Jun. 9, 2017.
 Notice of Allowance dated Jun. 15, 2018, in U.S. Appl. No. 29/617,062, filed Sep. 11, 2017.
 Notice of Allowance dated Jun. 15, 2018, in U.S. Appl. No. 29/617,064, filed Sep. 11, 2017.
 Notice of Allowance dated Jun. 11, 2018, in Taiwanese Patent Application No. 106306848.
 Pearl Automation, Pearl Magnetic Car Phone Mount—Vent or Dashboard Cell Phone Holder for Car or Truck, Publication Date: May 2017 {earliest/exact publication date unknown}, <https://www.amazon.com/Pearl-Magnetic-Car-Phone-Mount/dp/B01M0DNYIV>.
 Elongdi, Elongdi Air Vent Magnetic Car Mount 360 Degree Rotating Car Phone Mount Holder Compatible with iPhone 6 6S Plus 5 Galaxy S7 S6 edge S5 Sony HTC LG, Publication Date: May 2017 {earliest/exact publication date unknown}, https://www.amazon.com/gp/product/B01LXY2N6R/ref=oh_aui_search_detailpage?ie=UTF8&psc=1.
 Iottie, iOttie iTap Magnetic Air Vent Premium Car Mount Holder Cradle for iPhone X 8/8s 7 7 Plus 6s Plus 6s 6 SE Samsung Galaxy S8 Plus S8 Edge S7 S6 Note 8 5, Publication Date: May 2017 {earliest/exact publication date unknown}, https://www.amazon.com/gp/product/B00Q3G8LPQ/ref=oh_aui_search_detailpage?ie=UTF8&psc=1.
 Ztechworld, Ztechworld Universal Suction Cup Car Mount Mobile Phone Holder for iPhone 7 Plus 6S 6/ Samsung Galaxy S7 S6 Edge Note 3 4 5/ Android Phones and More, Sticky Silicone Base, 360 Rotation, Red Clip, Publication Date: Publication Date: May 2017 {earliest/exact publication date unknown}, https://www.amazon.com/gp/product/B01LXY2N6R/ref=oh_aui_search_detailpage?ie=UTF8&psc=1.

com/Ztechworld-Universal-Suction-Silicone-Rotation/dp/B06XGWRX9V/ref=sr_1_11?s=wireless&ie=UTF8&qid=1507681675&sr=1-11&keywords=suction+cup+phone+mount.

LAX Gadgets, LAX Universal Dashboard-mounted Smart Phone Holder with Non-Slip Grip Bracket—Compatible with Most Smartphones & Mini Tablets—360 Degrees Swivel Mount—Super Stable Suction Cup Car Mount, Publication Date: May 2017 {earliest/exact publication date unknown}, https://www.amazon.com/LAX-Universal-Dashboard-mounted-Non-Slip-Bracket/dp/B073SKDVLW/ref=sr_1_43?s=wireless&ie=UTF8&qid=1507681896&sr=1-43&keywords=suction+cup+phone+mount.

Iottie, iOttie Easy View 2 Car Mount Holder for iPhone 7 7 Plus, 6s Plus 6s 5s 5c, Samsung Galaxy S8 S7 Edge Plus S7 S6, Note 5—Retail Packaging—Black, Publication Date: May 2017 {earliest/exact publication date unknown}, https://www.amazon.com/iOttie-Holder-Samsung-Retail-Packaging/dp/B00JUXPHWE/ref=sr_1_13?s=wireless&ie=UTF8&qid=1507682834&sr=1-13&keywords=iottie.

* cited by examiner

Primary Examiner — Angela J Lee

(74) *Attorney, Agent, or Firm* — Vierra Magen Marcus LLP

(57) **CLAIM**

The ornamental design for an electronic device attachment portion of a dashboard vent mount for an electronic device, as shown and described.

DESCRIPTION

FIG. 1 is a rear perspective view of an electronic device attachment portion of a dashboard vent mount for an electronic device;

FIG. 2 is a front perspective view of the electronic device attachment portion of the dashboard vent mount for an electronic device;

FIG. 3 is a front elevational view of the electronic device attachment portion of the dashboard vent mount for an electronic device;

FIG. 4 is a rear elevational view of the electronic device attachment portion of the dashboard vent mount for an electronic device;

FIG. 5 is a top plan view of the electronic device attachment portion of the dashboard vent mount for an electronic device;

FIG. 6 is a bottom plan view of the electronic device attachment portion of the dashboard vent mount for an electronic device;

FIG. 7 is a right elevational view of the electronic device attachment portion of the dashboard vent mount for an electronic device; and,

FIG. 8 is a left elevational view of the electronic device attachment portion of the dashboard vent mount for an electronic device.

1 Claim, 2 Drawing Sheets

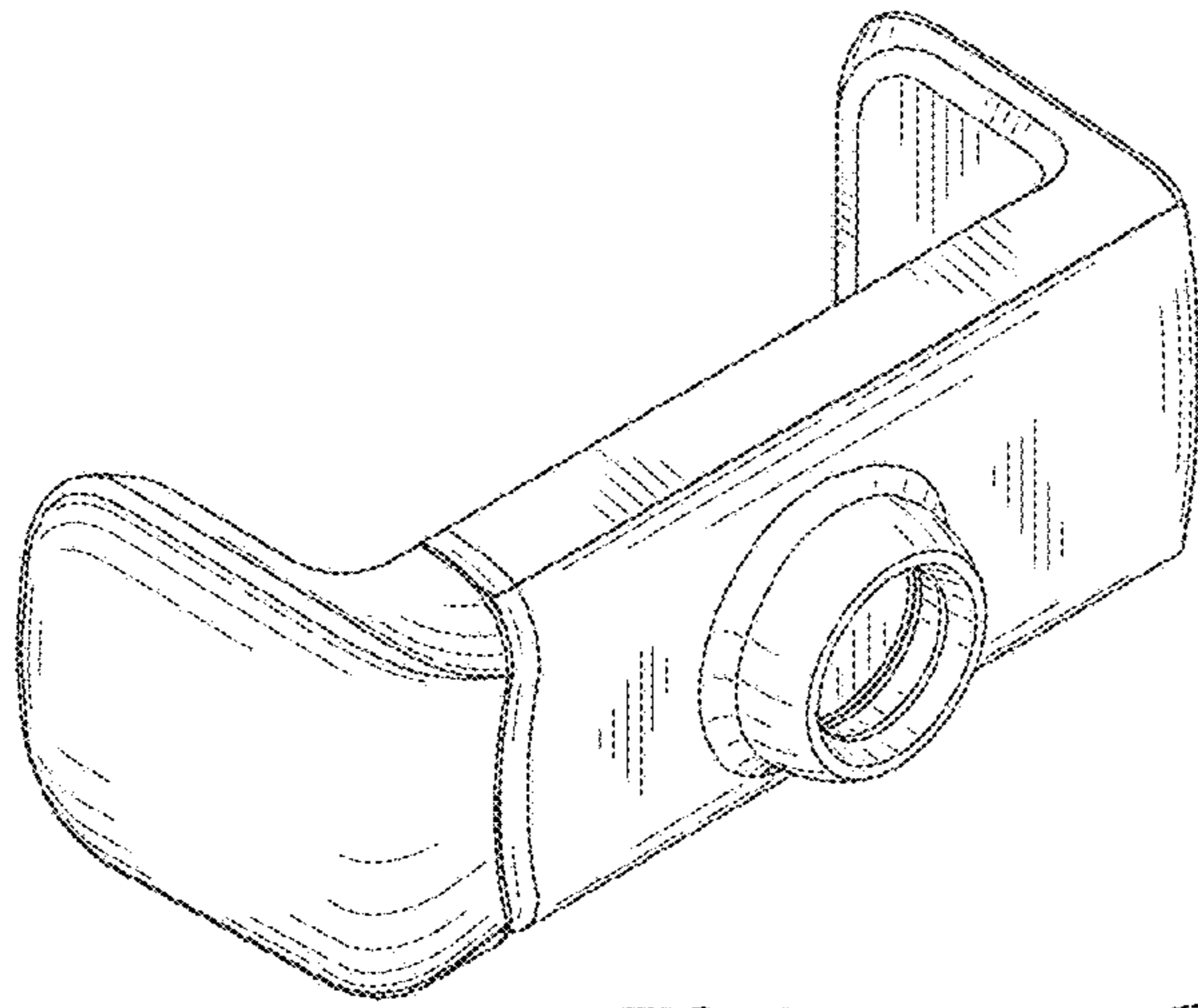


FIG. 1

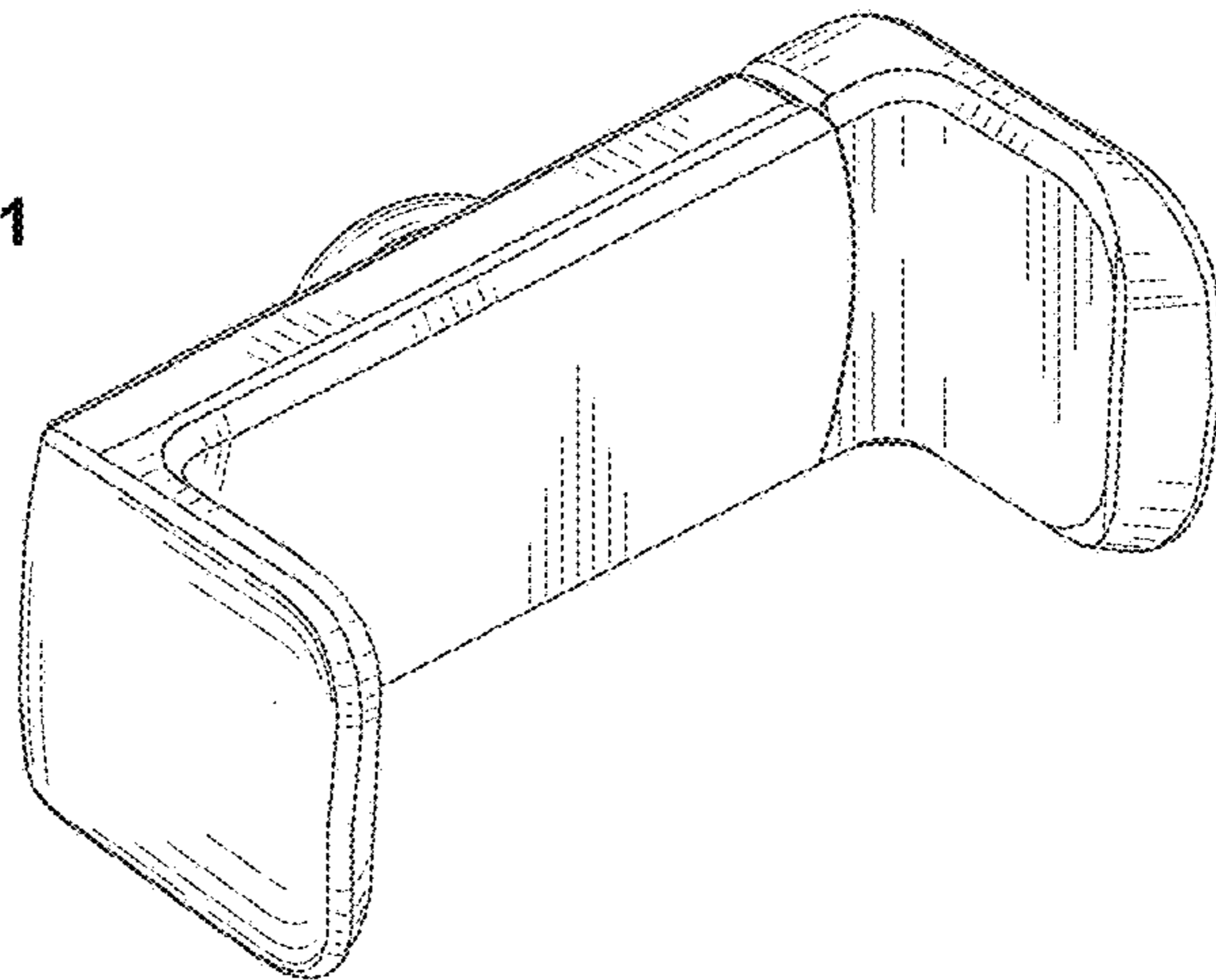


FIG. 2

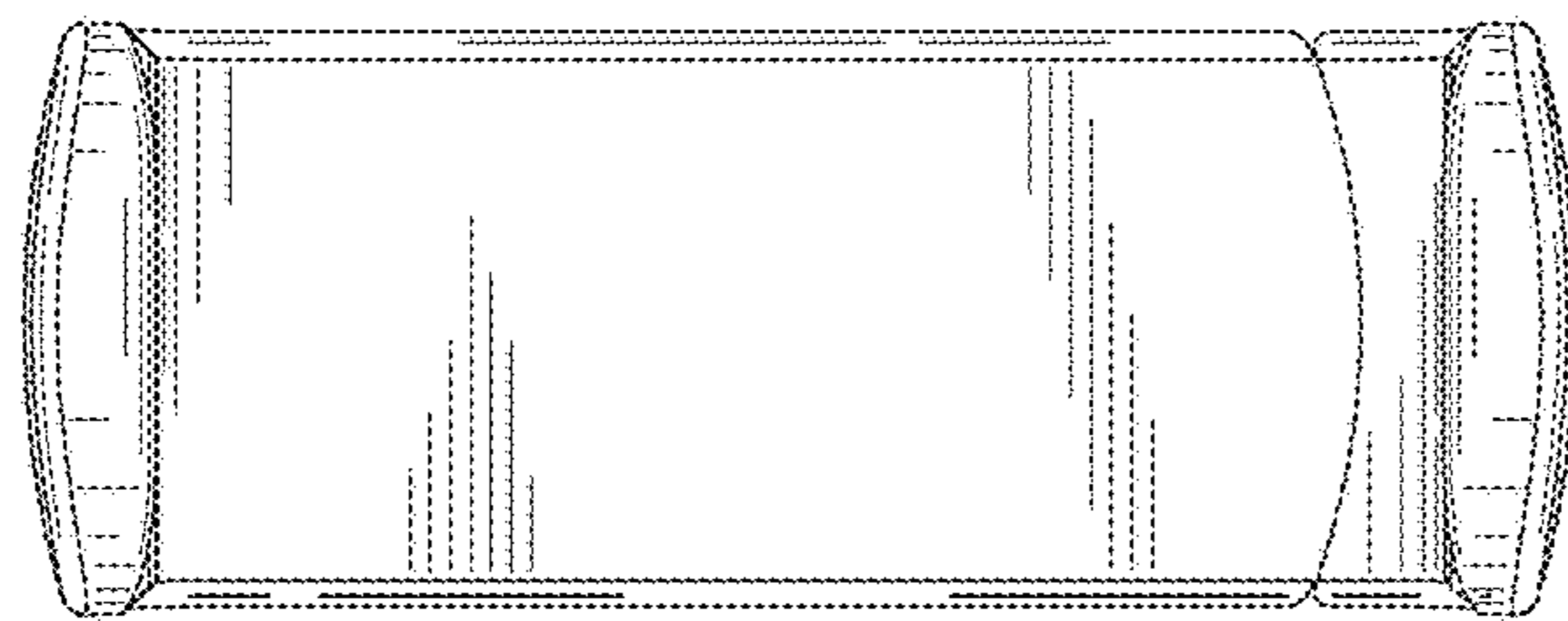


FIG. 3

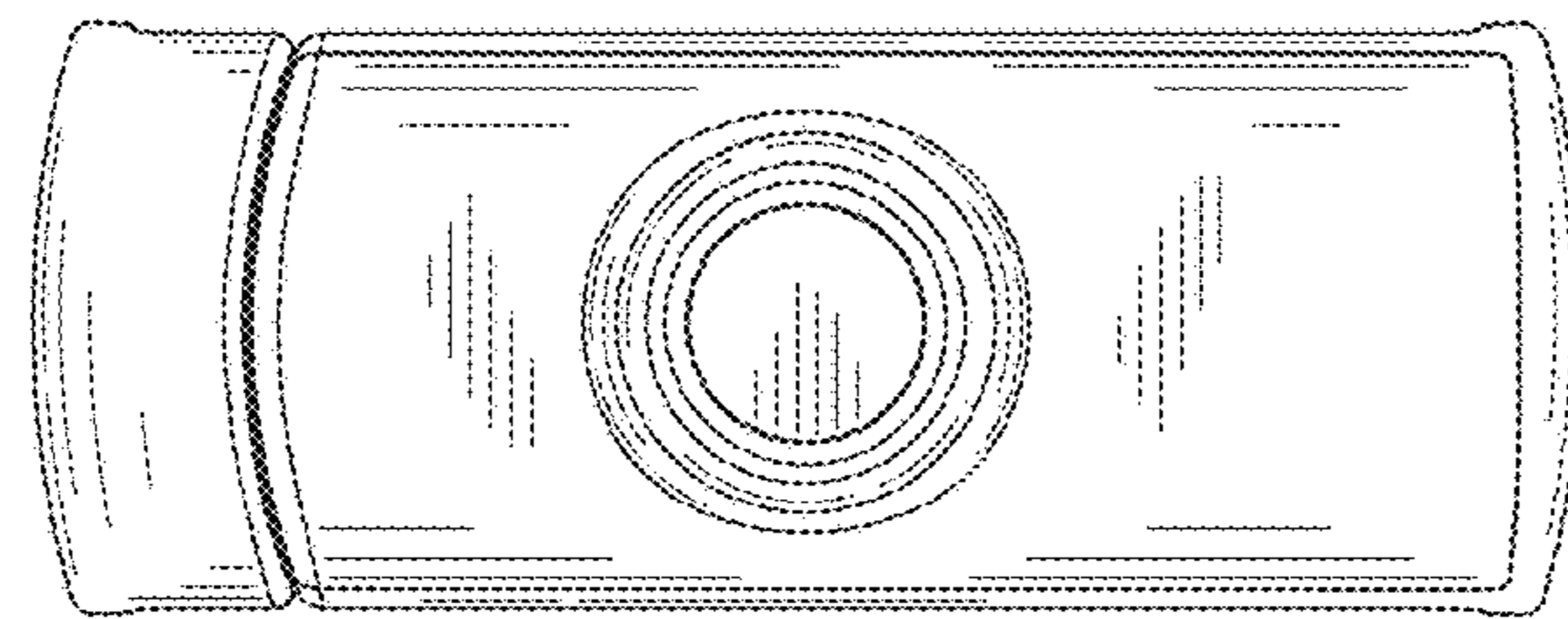


FIG. 4

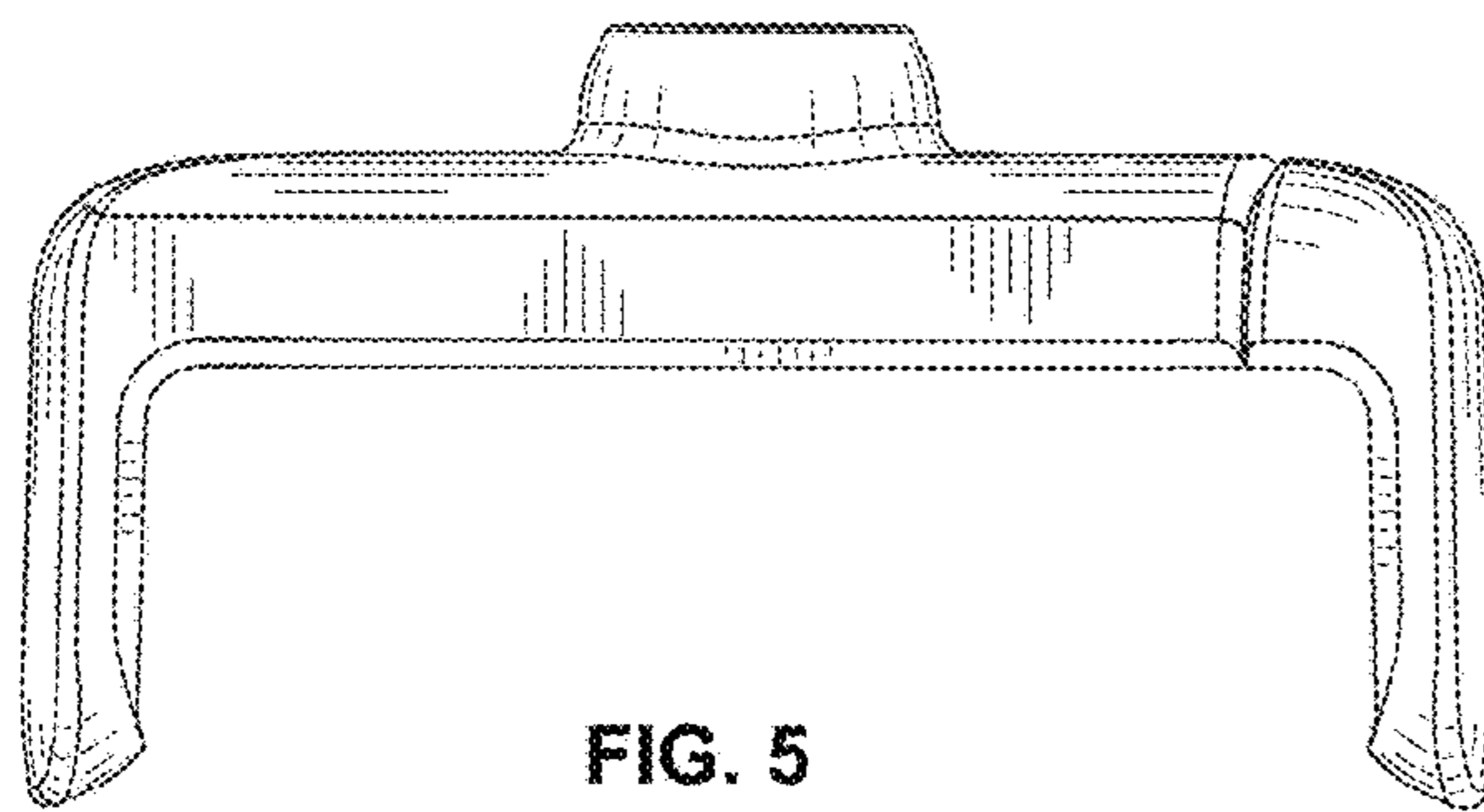


FIG. 5

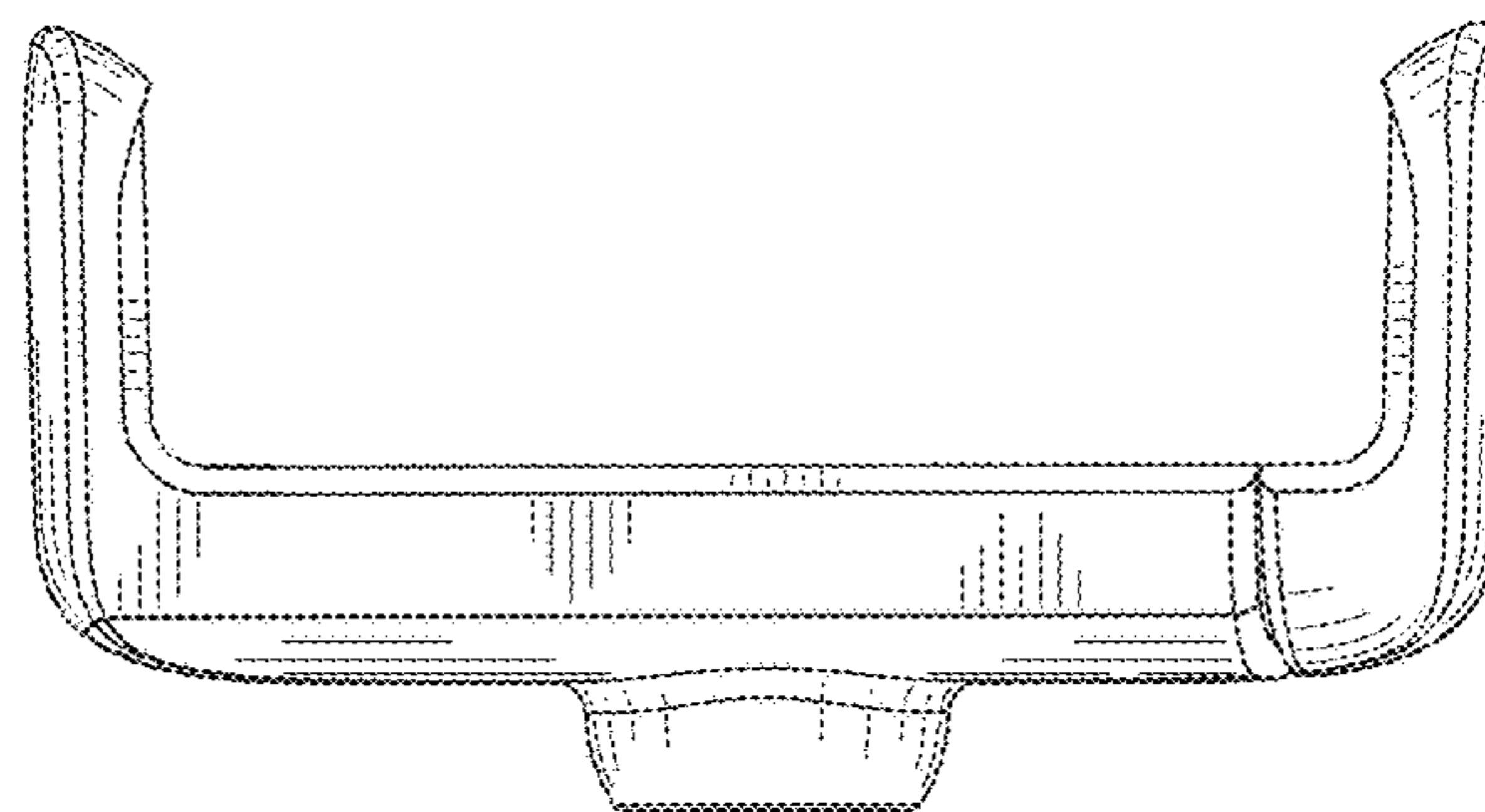


FIG. 6

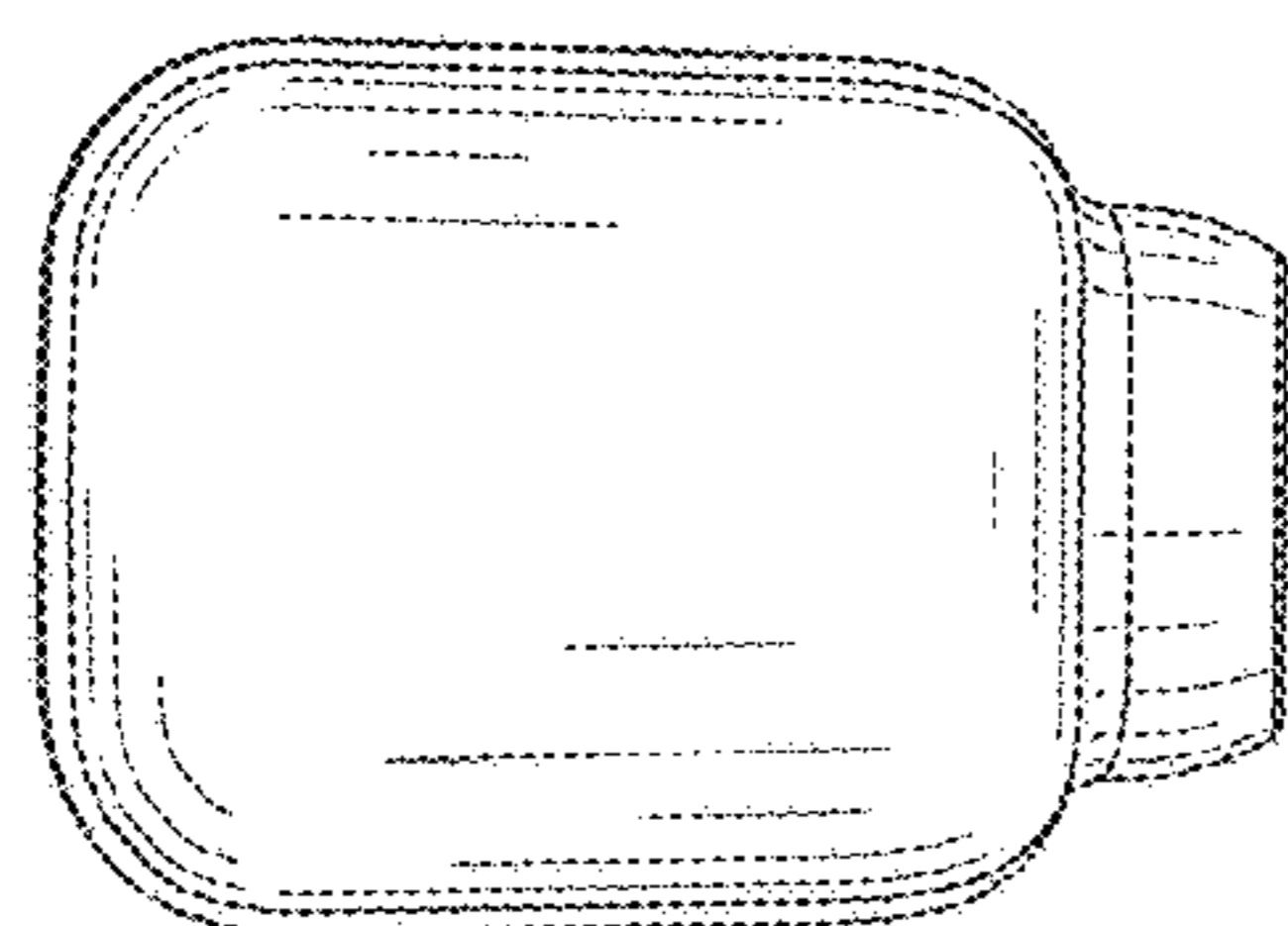


FIG. 7

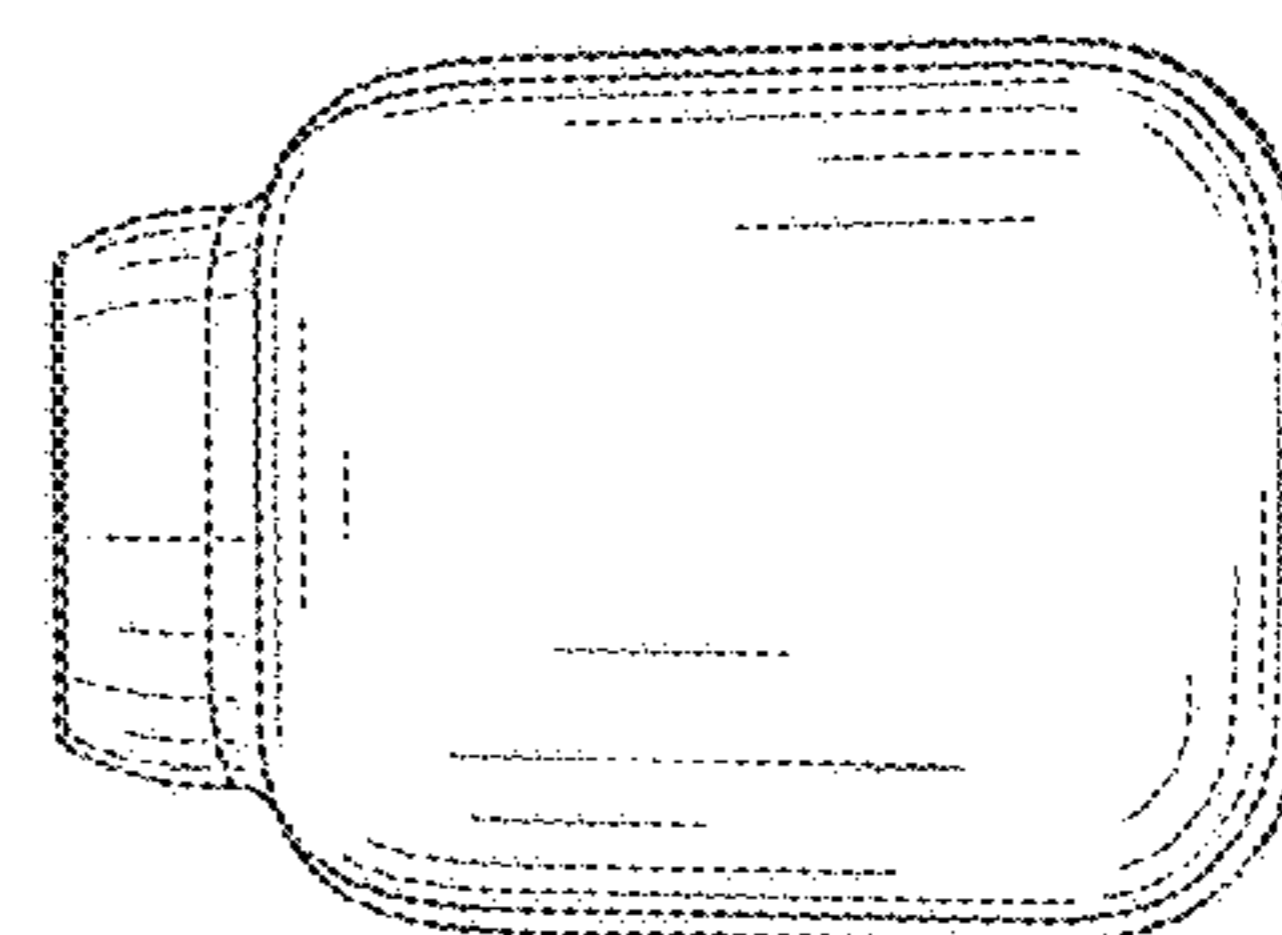


FIG. 8