

US00D845959S

(12) **United States Design Patent**
Wengreen

(10) **Patent No.:** **US D845,959 S**

(45) **Date of Patent:** **** Apr. 16, 2019**

(54) **MOUNT FOR ELECTRONIC DEVICES**

(71) Applicant: **Innovelis, Inc.**, Sammamish, WA (US)

(72) Inventor: **Eric John Wengreen**, Sammamish, WA (US)

(73) Assignee: **Innovelis, Inc.**, Sammamish, WA (US)

(**) Term: **15 Years**

(21) Appl. No.: **29/655,540**

(22) Filed: **Jul. 4, 2018**

Related U.S. Application Data

(63) Continuation of application No. 29/609,691, filed on Jul. 4, 2017, now Pat. No. Des. 824,399.

(51) **LOC (11) Cl.** **08-07**

(52) **U.S. Cl.**
USPC **D14/447**

(58) **Field of Classification Search**

USPC D14/447, 432, 434, 439, 440, 451, 452, D14/457, 239, 251, 253; D8/363, 373, D8/380; D6/406.3, 406.4, 406.5, 406.6; D12/415

CPC A47B 21/04; A47B 2097/006; A47B 2097/005; A47B 2023/049; A45C 2011/002; A45C 2011/003; F16M 2200/00; F16M 13/00

See application file for complete search history.

(56) **References Cited**

U.S. PATENT DOCUMENTS

1,618,573 A	2/1927	Cole
2,584,646 A	2/1952	Wagstaff
3,091,378 A	5/1963	O'Dwyer
D196,542 S	10/1963	Zelnick
3,176,950 A	4/1965	Hittesdorf
3,279,009 A	10/1966	Teasdale

3,294,298 A	12/1966	Danielson
3,477,679 A	11/1969	Lovitz
3,990,617 A	11/1976	Carter
D242,766 S	12/1976	Neece
4,067,532 A	1/1978	Viteretto
4,158,450 A	6/1979	Suzuki
4,467,244 A	8/1984	Dickie
4,519,656 A	5/1985	Raz
D280,466 S	9/1985	Seltzer
D282,034 S	1/1986	Janke
4,602,761 A	7/1986	Carter
D287,365 S	12/1986	Judd
4,697,780 A	10/1987	Wenkman
4,746,042 A	5/1988	King
4,771,927 A	9/1988	Ventura
4,815,683 A	3/1989	Ferrante
4,825,590 A	5/1989	Cullinane
4,826,115 A	5/1989	Novitski
4,840,773 A	6/1989	Wade

(Continued)

Primary Examiner — Angela J Lee

(57) **CLAIM**

The ornamental design for a mount for electronic devices, as shown and described.

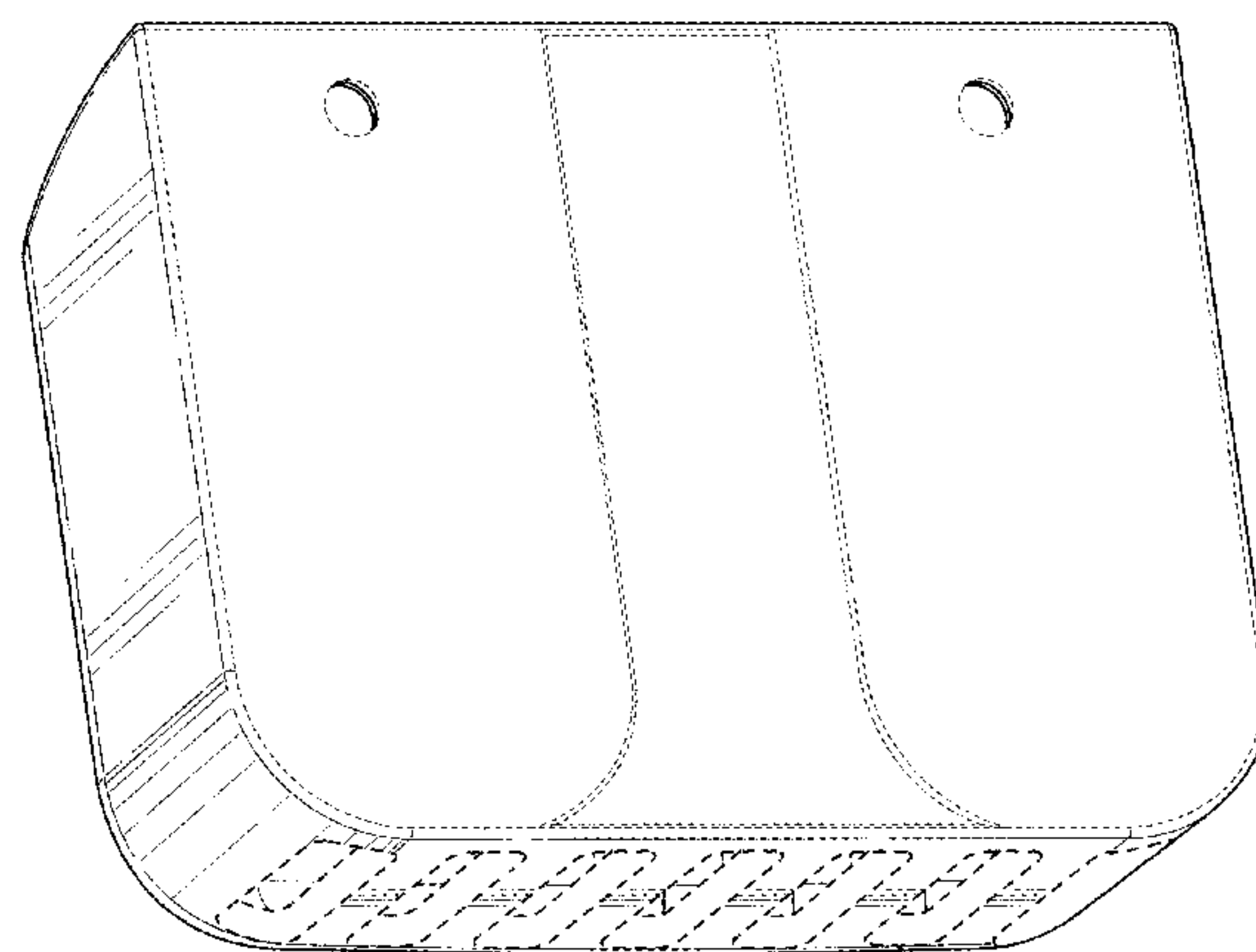
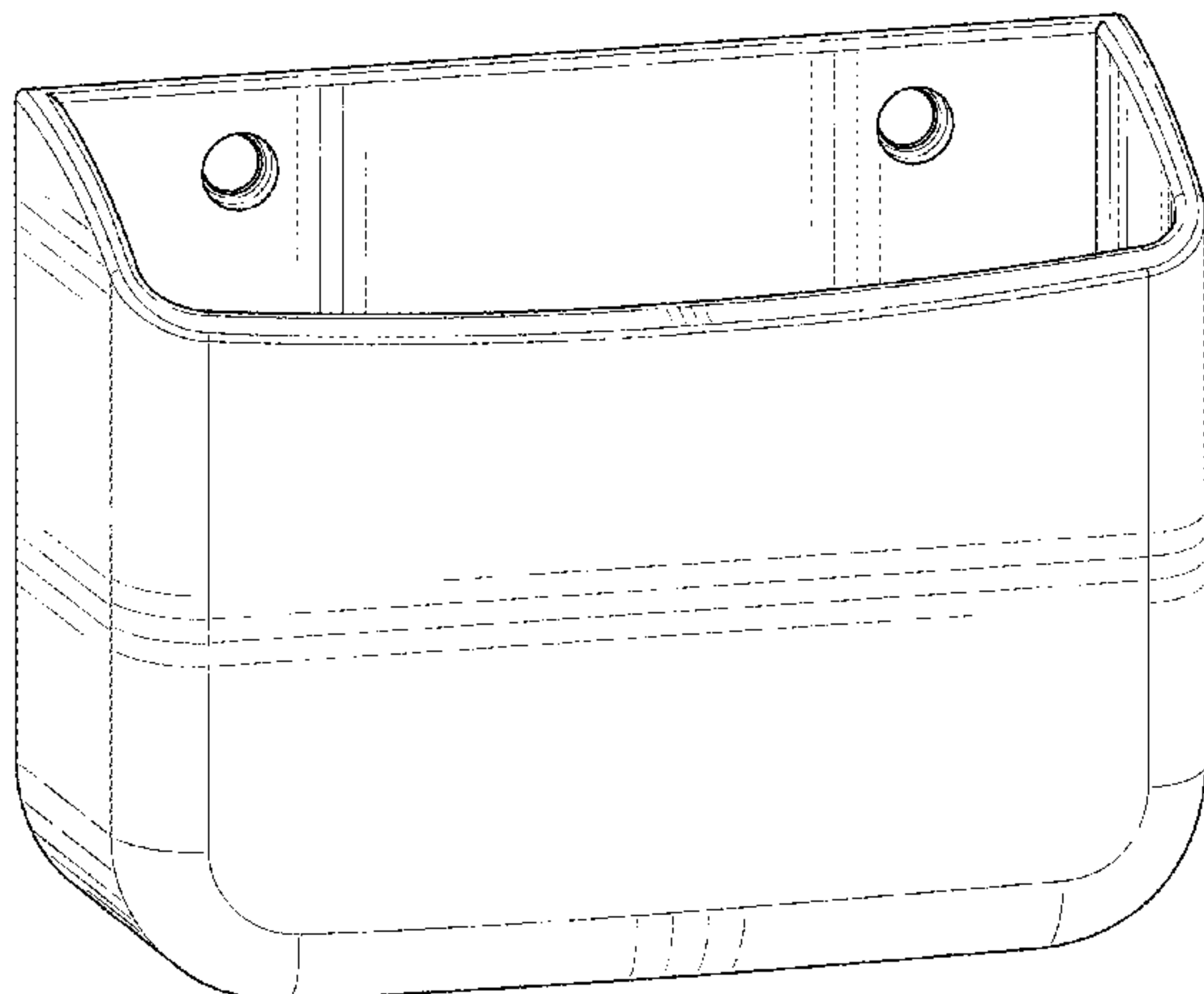
DESCRIPTION

FIG. 1 is a front, first side, and top perspective view of a mount for electronic devices embodying the new design; FIG. 2 is a back, second side, and bottom perspective view thereof;

FIG. 3 is a front view thereof; FIG. 4 is a back view thereof; FIG. 5 is a first side view thereof; FIG. 6 is a second side view thereof; FIG. 7 is a bottom view thereof; and, FIG. 8 is a top view thereof.

The uniform repeating broken lines depict portions of a mount for electronic devices in which the claimed design is embodied and form no part of the claimed design.

1 Claim, 8 Drawing Sheets



(56)

References Cited

U.S. PATENT DOCUMENTS

D301,976 S	7/1989	Greenhut	D529,905 S	10/2006	Richter	
4,852,843 A	8/1989	Chandler	D530,713 S	10/2006	Richter	
D308,389 S	6/1990	Hom	D530,717 S	10/2006	Mori	
4,974,764 A	12/1990	Cantwell	D533,175 S	12/2006	Richter	
D317,157 S	5/1991	Jondelius	7,145,603 B2	12/2006	Whitby	
5,038,985 A	8/1991	Chapin	D535,826 S	1/2007	Toghanian	
D323,085 S	1/1992	Konkel	D536,239 S	2/2007	Tallman	
5,092,395 A	3/1992	Amidzich	7,222,762 B2	5/2007	Rees	
5,227,582 A	7/1993	Velasco	D543,838 S *	6/2007	Yoshiguchi	D8/373
5,273,690 A	12/1993	McDowell	D545,343 S	6/2007	Braun	
5,297,318 A	3/1994	Adolphson	D547,863 S	7/2007	Heinsch	
D351,341 S	10/1994	Hung	D551,008 S	9/2007	Hidalgo	
5,385,282 A	1/1995	Chen	D553,352 S	10/2007	Allen	
5,400,990 A	3/1995	Frankel	D557,266 S	12/2007	Hughes	
D359,616 S	6/1995	Ishibashi	D560,411 S	1/2008	Chung	
D361,335 S	8/1995	Rudkiewicz	D564,529 S	3/2008	Hughes	
D361,462 S	8/1995	Newham	D565,399 S	4/2008	Grey	
D362,663 S	9/1995	Nguyen	D568,889 S	5/2008	Hughes	
D369,465 S	5/1996	Scheid	7,367,089 B2	5/2008	Cooke	
5,535,093 A	7/1996	Noguchi	D570,801 S	6/2008	Allen	
5,555,491 A	9/1996	Tao	D585,882 S	2/2009	Lum	
D376,531 S	12/1996	Polley	D586,795 S *	2/2009	Richter	D14/253
D376,585 S	12/1996	Wathen	D591,499 S *	5/2009	Ross, III	D3/218
D376,787 S	12/1996	Calfee	D592,206 S	5/2009	O'Brien	
5,593,124 A	1/1997	Wang	D596,172 S	7/2009	Ahlqvist	
5,619,395 A	4/1997	McBride	D598,945 S	8/2009	Gillespie	
5,619,774 A	4/1997	Perry	7,580,255 B2	8/2009	Crooijmans	
D385,287 S	10/1997	Westcott	D601,000 S	9/2009	Cole	
D388,107 S	12/1997	Huckins	D609,030 S	2/2010	Barabas	
D390,849 S	2/1998	Richter	D610,579 S	2/2010	Behar	
D395,641 S	6/1998	Gaete	D619,879 S *	7/2010	McCarthy	D8/354
5,850,998 A	12/1998	Parsey	D624,949 S	10/2010	Nakayama	
D407,408 S	3/1999	Hoff	D625,729 S	10/2010	McNames	
D409,079 S	5/1999	Sobczynski	D628,611 S	12/2010	Lewis	
5,899,371 A	5/1999	Weliver	7,854,420 B2	12/2010	Depay	
D411,542 S	6/1999	Richter	D633,503 S	3/2011	Bo	
5,914,707 A	6/1999	Kono	7,925,320 B2	4/2011	Pemble	
5,961,083 A	10/1999	Hartman	D639,092 S	6/2011	Lundy	
5,979,724 A	11/1999	Loewenthal	D639,301 S *	6/2011	Anderson	D13/107
D420,149 S	2/2000	Hersh	7,959,121 B1	6/2011	Barnes	
6,039,173 A	3/2000	Crow	7,980,435 B2	7/2011	Tages	
D425,353 S	5/2000	Foy	D643,659 S	8/2011	Choi	
D426,041 S	5/2000	Boghossian	8,041,029 B2	10/2011	Wiegers	
6,073,901 A	6/2000	Richter	D648,707 S	11/2011	Akana	
6,102,660 A	8/2000	Lee	D648,727 S	11/2011	Van Den Nieuwenhuizen	
6,105,923 A	8/2000	Robertson	D651,068 S	12/2011	Kang	
D431,250 S	9/2000	Richter	D654,077 S	2/2012	Radin	
6,163,997 A	12/2000	Deralas	D657,362 S	4/2012	Lister	
6,193,546 B1	2/2001	Sadler	D660,306 S	5/2012	Voorhees	
D443,493 S	6/2001	Skeem	D662,491 S	6/2012	Andre	
6,275,882 B1	8/2001	Cheever	D665,006 S	8/2012	Green	
6,275,885 B1	8/2001	Chin	D667,249 S	9/2012	London	
6,336,615 B1	1/2002	Jeon	D667,411 S	9/2012	Kim	
D456,024 S	4/2002	Richter	D669,890 S	10/2012	Hopkins	
D456,413 S	4/2002	Malson	D671,820 S	12/2012	Henderson	
6,445,290 B1	9/2002	Fingal	D672,308 S	12/2012	Cobbett	
6,485,144 B1	11/2002	Liao	8,322,584 B2	12/2012	Dethmers	
D471,547 S	3/2003	Ruohonen	D675,208 S	1/2013	Petrick	
6,554,527 B1	4/2003	O'Donnell	D680,540 S	4/2013	Lee	
6,560,983 B1	5/2003	Schimmeyer	D685,798 S	7/2013	Weiss	
D475,995 S	6/2003	Hsieh	D685,804 S	7/2013	Richter	
6,657,868 B1	12/2003	Hsue	D686,629 S	7/2013	Trinh	
6,691,374 B2	2/2004	Coyne	D688,253 S	8/2013	Cho	
6,888,940 B1	5/2005	Deppen	D690,707 S	10/2013	Minn	
6,912,125 B2	6/2005	Weng	D692,013 S	10/2013	Crysell	
D508,605 S	8/2005	Hwang	8,544,805 B2	10/2013	Virgin	
6,939,641 B2	9/2005	Kincaid	D695,298 S	12/2013	Han	
6,983,126 B1	1/2006	Saalman	D695,748 S	12/2013	Morris	
D518,704 S	4/2006	Miao	D696,672 S	12/2013	Brittain	
7,047,601 B1	5/2006	Vernon-Woods	D697,919 S	1/2014	Gelsomini	
7,067,737 B2	6/2006	Mallen	D700,832 S	3/2014	Ng	
7,079,384 B2	7/2006	Wang	8,668,179 B2	3/2014	Corn	
7,080,764 B2	7/2006	McNicholas	D705,229 S	5/2014	Wengreen	
7,113,218 B2	9/2006	Battles	D707,684 S *	6/2014	Hill	D14/447
D529,713 S	10/2006	Guyot	D710,340 S	8/2014	Wengreen	
			D710,363 S *	8/2014	Wengreen	D14/432
			D710,836 S	8/2014	Wengreen	
			D712,394 S	9/2014	Booth	
			D712,906 S	9/2014	Wengreen	

(56)

References Cited

U.S. PATENT DOCUMENTS

D713,395 S	9/2014	Godycki	D778,105 S	2/2017	Coffey, Jr.
D713,399 S	9/2014	Green	D779,466 S	2/2017	Wengreen
D713,849 S	9/2014	Kirwer	9,578,960 B1	2/2017	Wu
8,847,549 B2	9/2014	Graham	D780,762 S	3/2017	Ju
8,848,113 B2	9/2014	Wengreen	D784,438 S	4/2017	Rondinelli
D714,793 S	10/2014	Kim	D791,215 S	7/2017	Schmidt
D716,580 S	11/2014	Wengreen	D795,820 S	8/2017	Wengreen
D717,307 S	11/2014	Chun	D797,546 S	9/2017	Saideh
D717,804 S	11/2014	Budge	D797,750 S	9/2017	Wengreen
8,896,768 B1	11/2014	Wengreen	D798,305 S	9/2017	Wengreen
8,934,060 B1	1/2015	Wengreen	D798,306 S	9/2017	Wengreen
8,934,061 B1	1/2015	Wengreen	D798,358 S	9/2017	Holbrook
8,939,417 B1	1/2015	Wengreen	D800,824 S	10/2017	Jacob
D723,042 S	2/2015	Lee	D801,413 S	10/2017	Martin
D724,598 S	3/2015	Gelsomini	D801,414 S	10/2017	Martin
8,988,616 B2	3/2015	Wengreen	D803,030 S	11/2017	Wengreen
9,019,698 B2	4/2015	Thiers	D804,289 S	12/2017	Wengreen
D729,544 S	5/2015	Wengreen	D805,076 S	12/2017	Hong
D729,618 S	5/2015	Bastien	D806,521 S	1/2018	Wengreen
D732,939 S	6/2015	Cannaverde	D808,367 S	1/2018	Wengreen
D733,105 S	6/2015	Wengreen	D812,458 S	3/2018	Goto
D733,539 S	7/2015	Wu	D813,241 S	3/2018	Wengreen
D733,542 S	7/2015	Cannaverde	D824,399 S *	7/2018	Wengreen D14/447
D733,691 S	7/2015	Wengreen	D825,576 S	8/2018	Krupa
D734,305 S	7/2015	Wengreen	D825,642 S	8/2018	Maiwald
D735,174 S	7/2015	Wengreen	D825,643 S	8/2018	Wengreen
D736,071 S	8/2015	Wu	D832,274 S	10/2018	Wengreen
D736,848 S	8/2015	Kim	D832,858 S *	11/2018	Wengreen D14/447
D739,407 S	9/2015	Son	2005/0023419 A1	2/2005	Frankel
D739,410 S	9/2015	Chun	2005/0211861 A1	9/2005	Lee
9,131,195 B2	9/2015	Wengreen	2005/0236541 A1	10/2005	Chang
D740,872 S	10/2015	Wada	2006/0224575 A1	10/2006	Ostojic
D741,146 S	10/2015	Delrue	2007/0097617 A1	5/2007	Searby
D742,387 S	11/2015	Xiang	2007/0235609 A1	10/2007	Chun
9,185,953 B2	11/2015	Whitten	2007/0264169 A1	11/2007	Chen
D746,599 S	1/2016	Olson	2008/0078793 A1	4/2008	Brown
D749,549 S	2/2016	Wengreen	2009/0218454 A1	9/2009	Stanley
D749,597 S *	2/2016	Wengreen D14/447	2009/0296997 A1	12/2009	RocheFord
D749,666 S	2/2016	Ahdoot	2010/0270190 A1	10/2010	Howard
D750,633 S	3/2016	Minn	2010/0281671 A1	11/2010	De Vaan
D751,563 S *	3/2016	Wengreen D14/447	2010/0288895 A1	11/2010	Shamie
D752,415 S	3/2016	Lu	2010/0314277 A1	12/2010	Murray
D757,521 S	5/2016	Rosner	2011/0242439 A1	10/2011	Calderon
9,339,112 B2	5/2016	Wengreen	2012/0126081 A1	5/2012	Wengreen
D759,005 S	6/2016	Murakami	2012/0127379 A1	5/2012	Wengreen
D759,018 S	6/2016	Subramaniam	2012/0168516 A1	7/2012	Bolger
D761,236 S	7/2016	Wengreen	2012/0280014 A1	11/2012	Lopez-Apodaca
D763,666 S	8/2016	Wengreen	2012/0312950 A1	12/2012	Sears
D763,835 S *	8/2016	Wengreen D14/238.1	2014/0061406 A1	3/2014	Chevalier
D765,063 S	8/2016	Wengreen	2014/0103179 A1	4/2014	Lipke
D765,064 S	8/2016	Wengreen	2014/0241705 A1	8/2014	Wengreen
D765,646 S	9/2016	Deng	2015/0070835 A1	3/2015	McLean
D765,651 S	9/2016	Liu	2015/0212544 A1	7/2015	Chen
D767,377 S	9/2016	Sekula	2015/0305502 A1	10/2015	Wengreen
D770,171 S	11/2016	Lai	2016/0007735 A1	1/2016	Gallup
D771,760 S	11/2016	Riddiford	2016/0119458 A1	4/2016	Gunther
D772,217 S	11/2016	Alesi	2016/0120295 A1	5/2016	Rowley
D773,465 S	12/2016	Palmer	2016/0218535 A1	7/2016	Prete
D777,167 S *	1/2017	Wengreen D14/447	2016/0234955 A1	8/2016	Wengreen
9,543,082 B1	1/2017	Wengreen	2016/0241289 A1	8/2016	Wieth
			2017/0150620 A1	5/2017	Wengreen
			2017/0208945 A1	7/2017	Wengreen

* cited by examiner

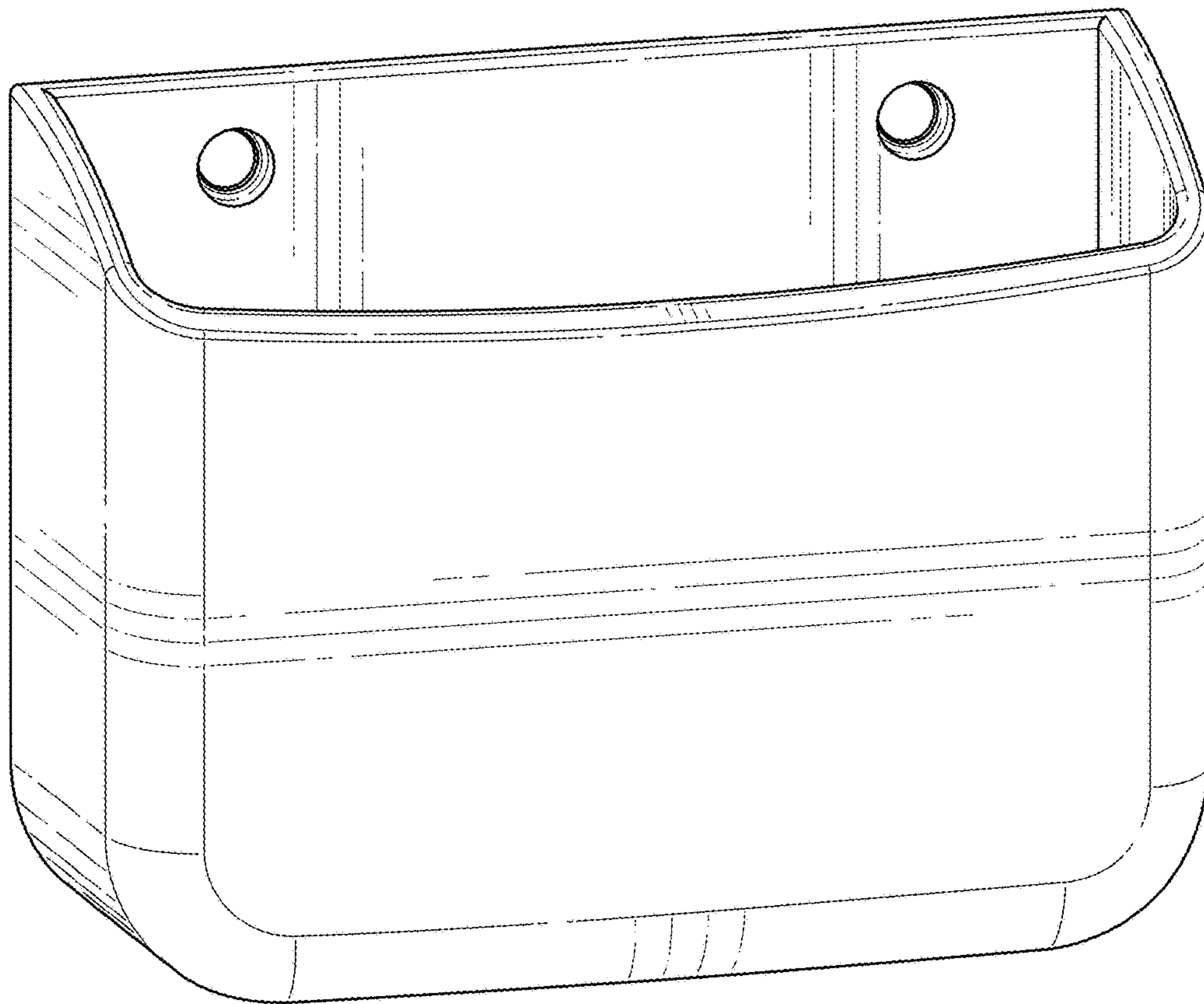


FIG. 1

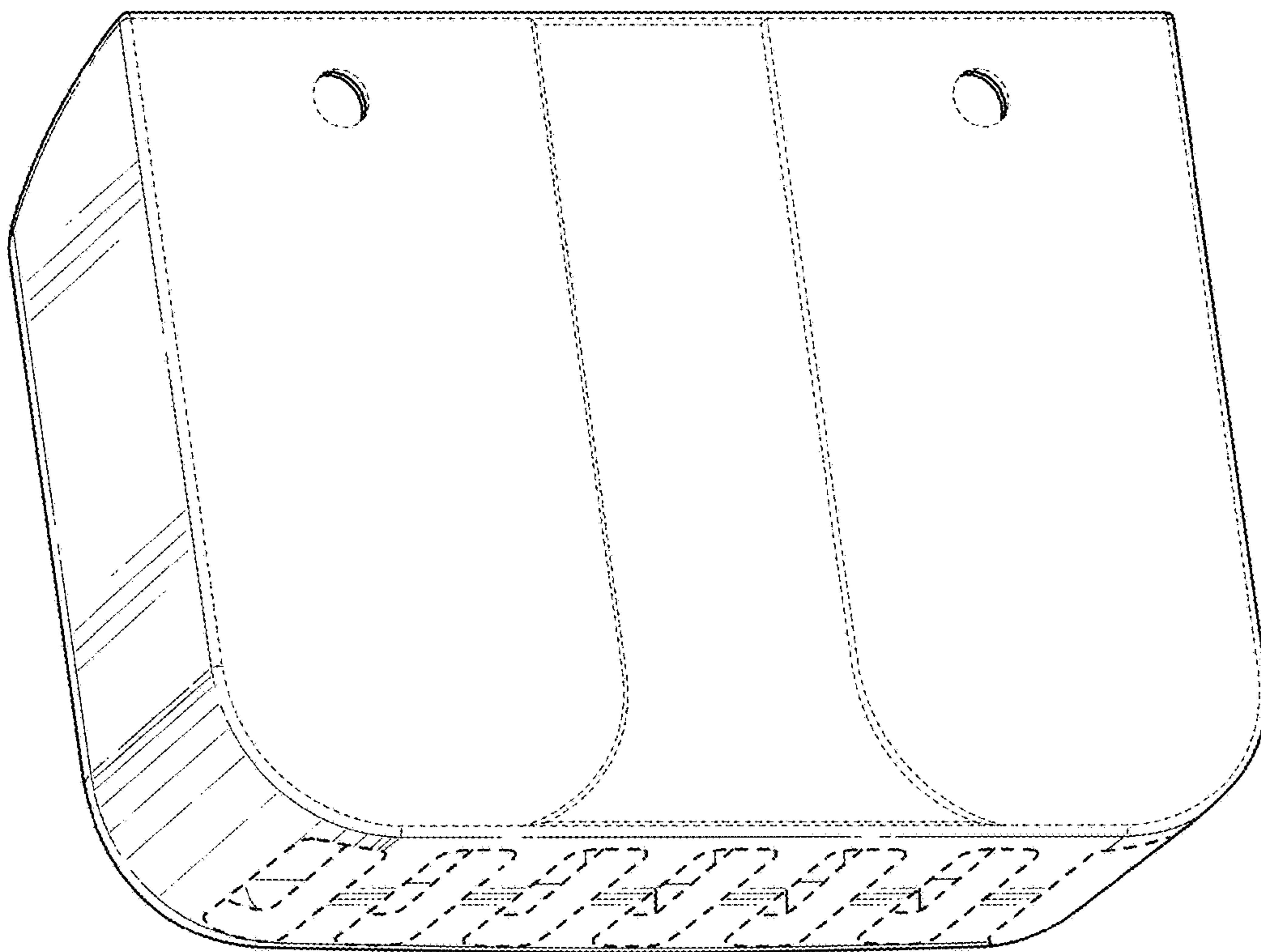


FIG. 2

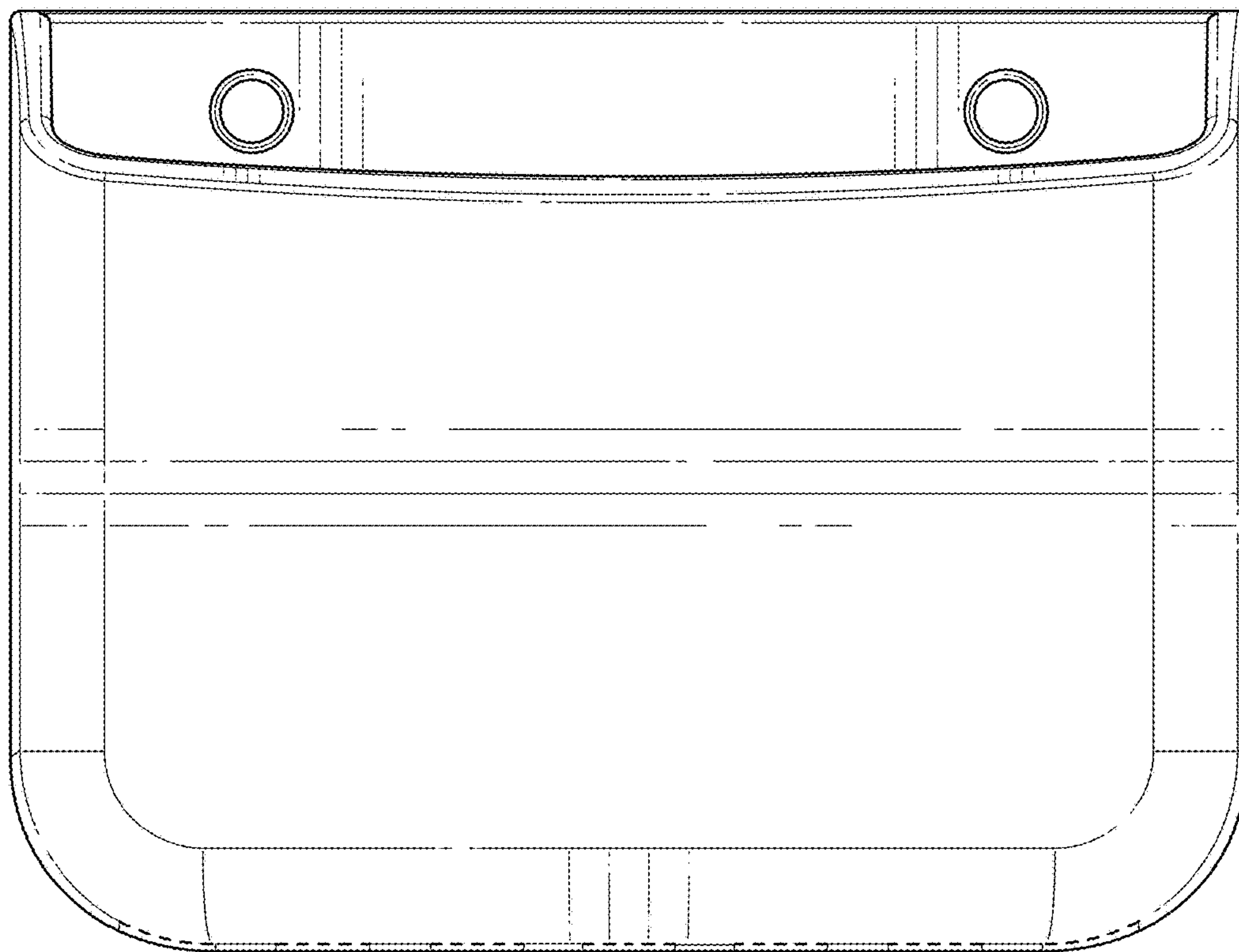


FIG. 3

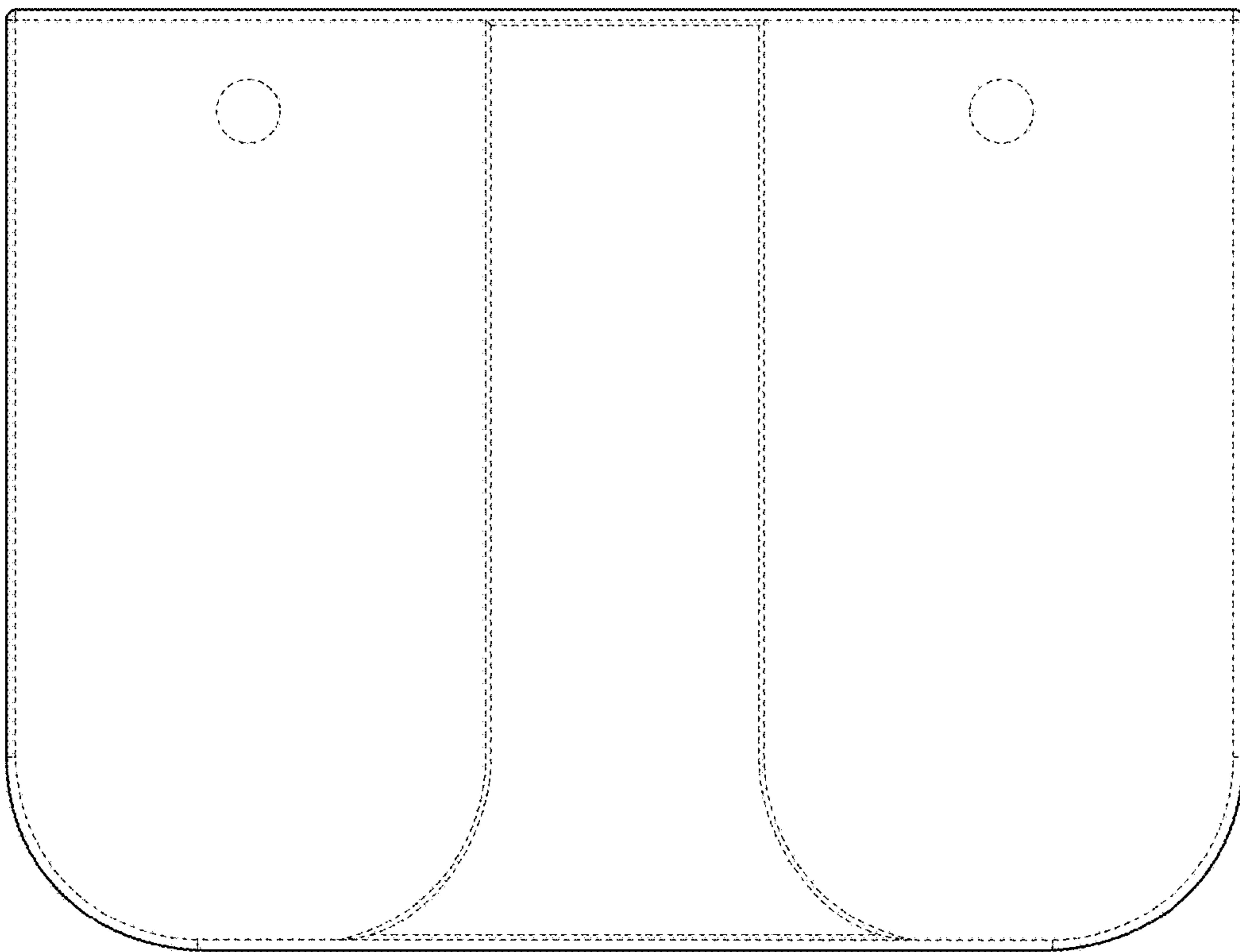


FIG. 4

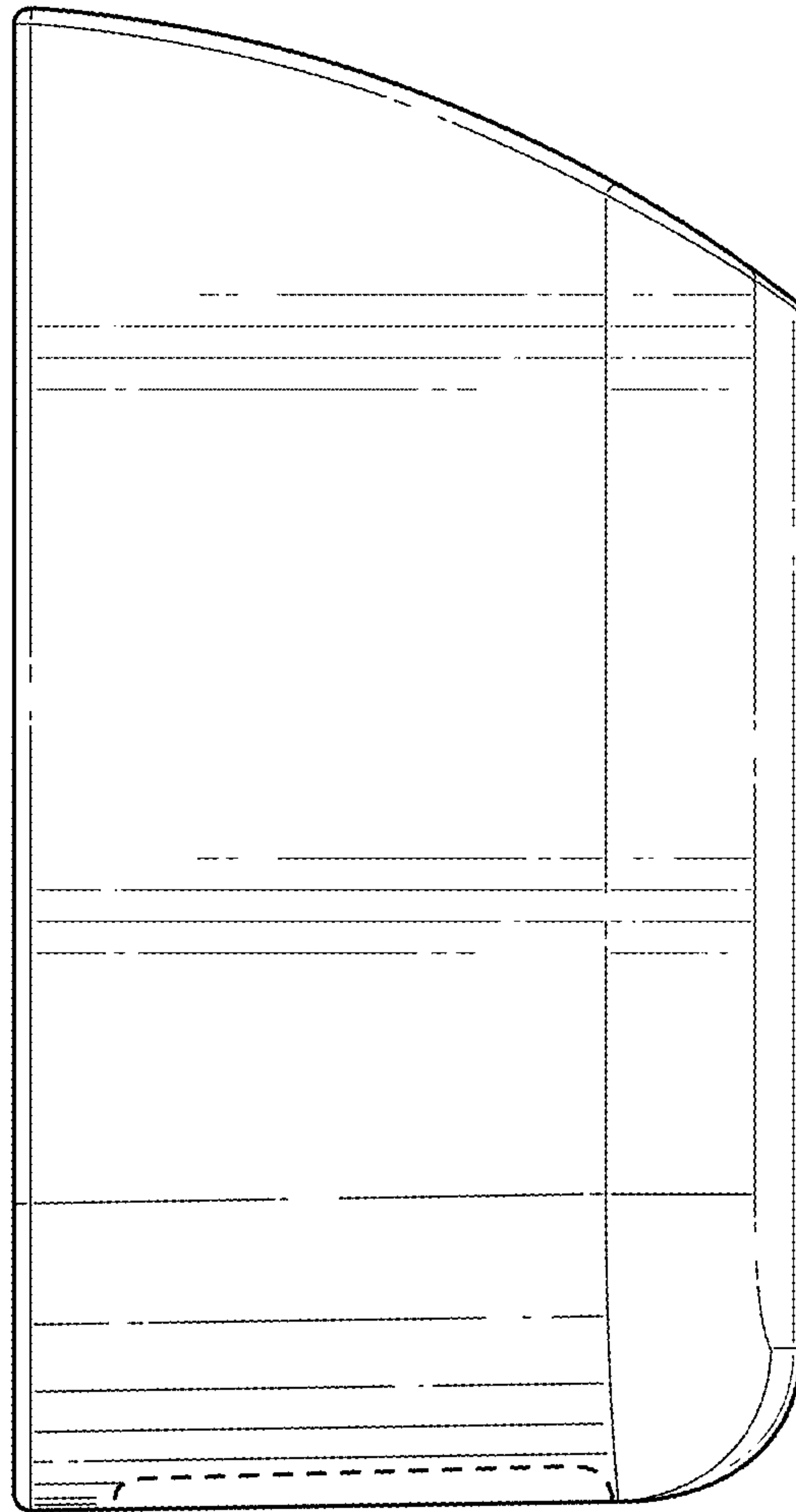


FIG. 5

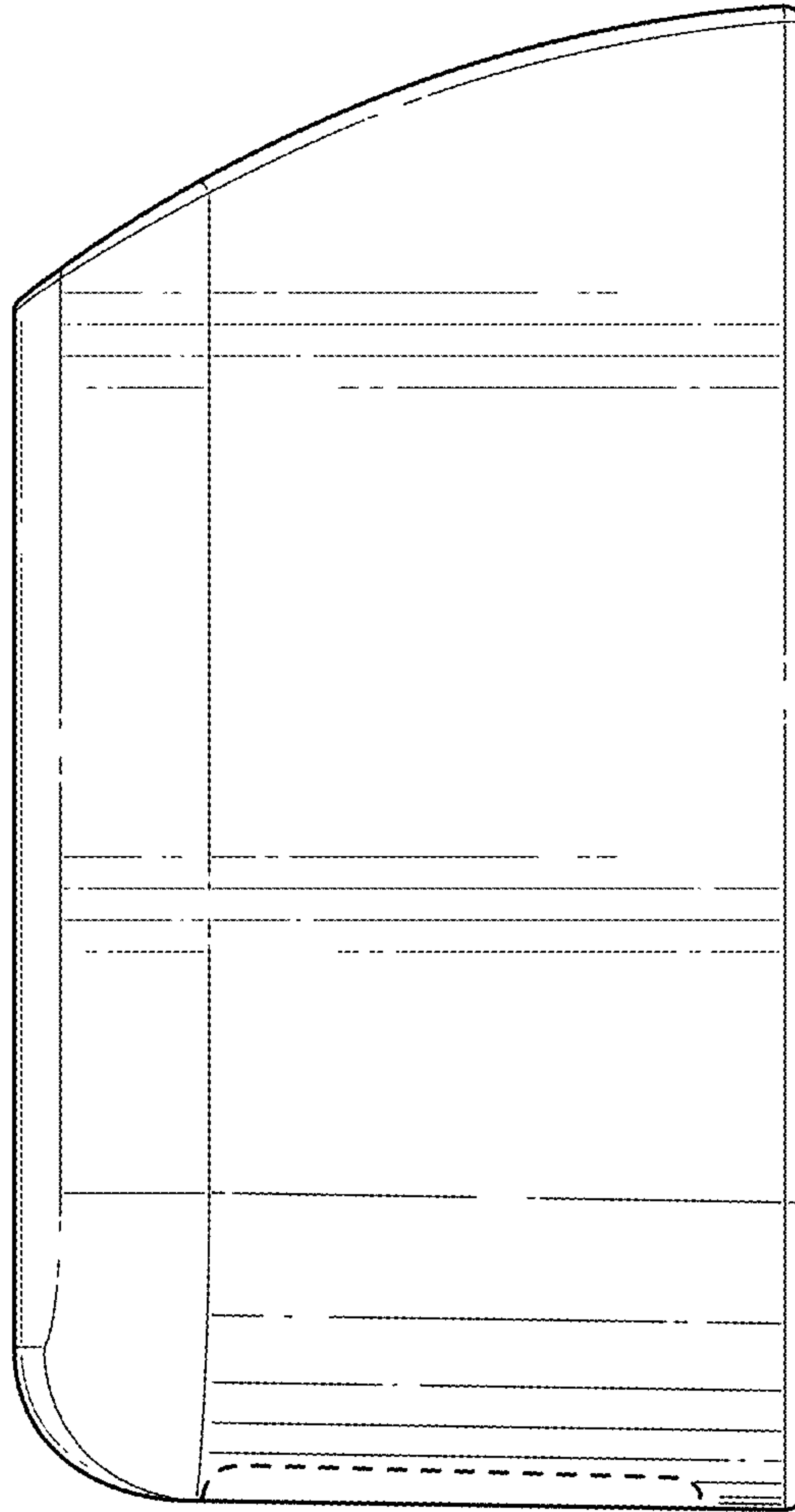


FIG. 6

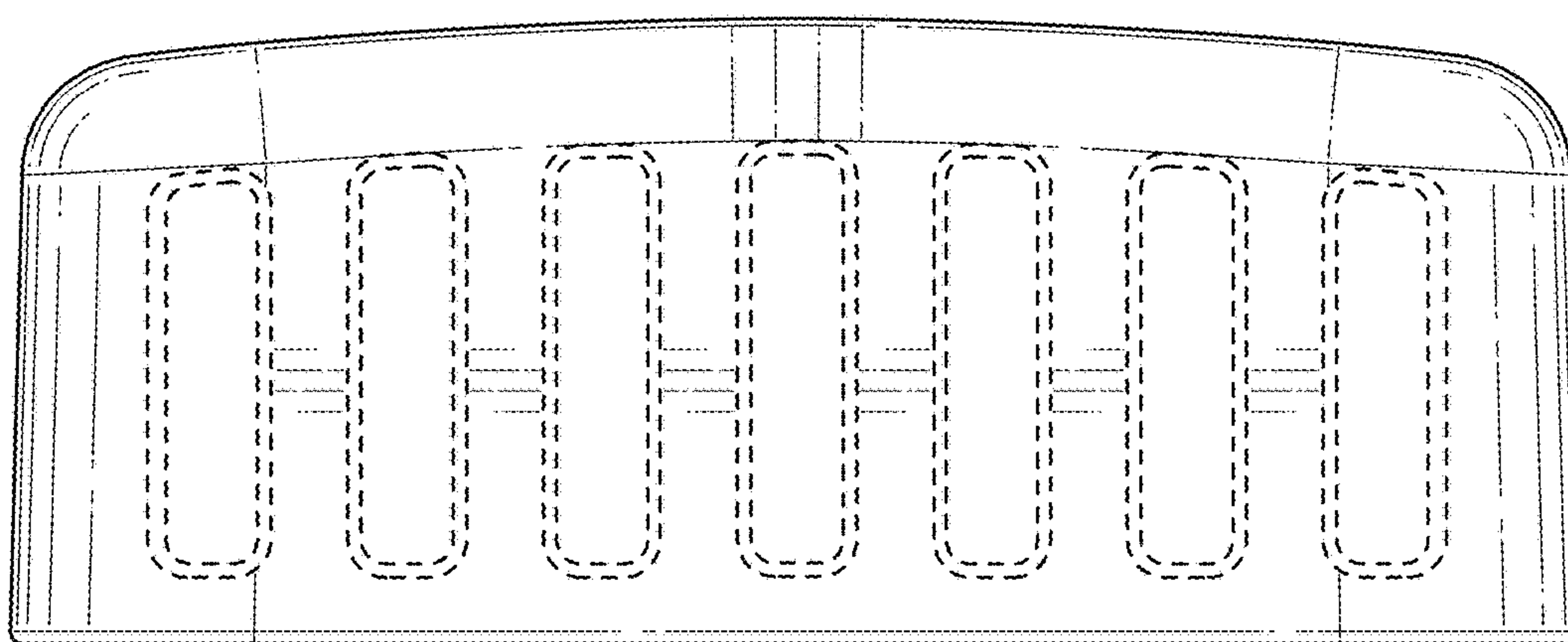


FIG. 7

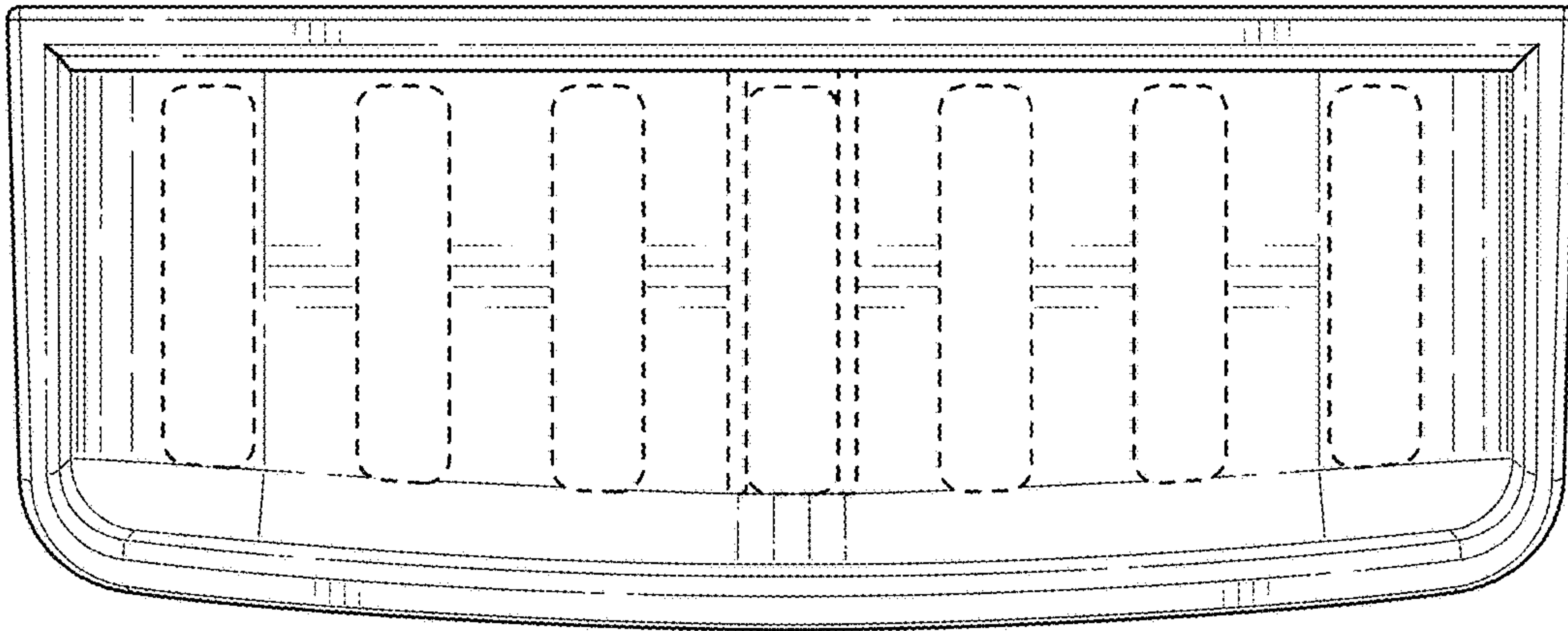


FIG. 8