



US00D845958S

(12) **United States Design Patent** (10) **Patent No.:** **US D845,958 S**
Dalton (45) **Date of Patent:** **** Apr. 16, 2019**

(54) **SMARTPHONE OR TABLET COMPUTER MOUNTING DEVICE**

(71) Applicant: **Michael T. Dalton**, Blairsville, GA (US)

(72) Inventor: **Michael T. Dalton**, Blairsville, GA (US)

(**) Term: **15 Years**

(21) Appl. No.: **29/605,244**

(22) Filed: **May 24, 2017**

Related U.S. Application Data

(63) Continuation-in-part of application No. 29/528,545, filed on May 29, 2015, now Pat. No. Des. 789,375.

(51) **LOC (11) Cl.** **08-07**

(52) **U.S. Cl.**
USPC **D14/447**

(58) **Field of Classification Search**
USPC D14/447, 432, 434, 439, 440, 451, 452, D14/457, 239; D8/363, 373, 380; D6/406.3, 406.4, 406.5, 406.6; D12/415
(Continued)

(56) **References Cited**

U.S. PATENT DOCUMENTS

D491,952 S	6/2004	Oddsens	D14/447
D567,810 S	4/2008	Yeh	D14/253

(Continued)

OTHER PUBLICATIONS

Cross-Reference U.S. Appl. No. 29/528,545 in condition for issue by same inventor.

Primary Examiner — Angela J Lee

(74) *Attorney, Agent, or Firm* — Clifford H. Kraft

(57) **CLAIM**

The ornamental design for a smartphone or tablet computer mounting device, as shown and described.

DESCRIPTION

FIG. 1 is a perspective view showing the smartphone or tablet computer mounting device.

FIG. 2 is a front view thereof.

FIG. 3 is a top view thereof.

FIG. 4 is a side view thereof; left and right side views are mirror images.

FIG. 5 is a bottom view thereof.

FIG. 6 is a back view thereof.

FIG. 7 is a front view showing use the smartphone or tablet computer mounting device with a non-claimed clamp attachment, the clamp attachment being attached to a side ball.

FIG. 8 is a front view showing use of the smartphone or tablet computer mounting device with a non-claimed clamp attachment, the clamp attachment being attached to the top ball.

FIG. 9 is a front view of the smartphone or tablet computer mounting device in a folded configuration.

FIG. 10 is a front view thereof in a first extended configuration.

FIG. 11 is a front view thereof in a second extended configuration.

FIG. 12 is a front view thereof in a third extended configuration.

FIG. 13 is a front view thereof in a fourth extended configuration.

FIG. 14 is a front view thereof in a fifth extended configuration.

FIG. 15 is a front view thereof in a totally extended configuration.

FIG. 16 is a front view of the upper column and ball attaches of the smartphone or tablet computer mounting device, but shown separately for ease of illustration.

FIG. 17 is a sectional view of the section 17-17 of FIG. 16.

FIG. 18 is a side view of the grip of the smartphone or tablet computer mounting device, but shown separately for ease of illustration.

FIG. 19 is a sectional view of the section 19-19 of FIG. 18. Section 19-19 represents the wider part of the grip; and,

(Continued)

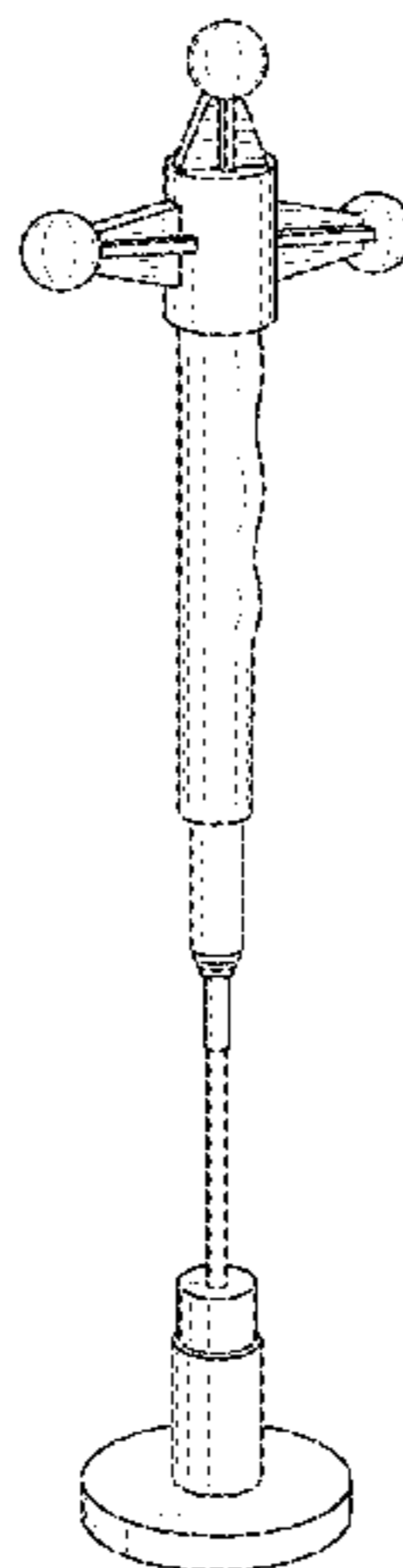


FIG. 20 is a sectional view of the section 20-20 of FIG. 118. Section 20-20 represents the narrower part of the grip. The broken lines in FIG. 5 are the boundary of the unclaimed bottom of the base. An attachment screw is also shown in FIG. 5 in broken lines to show how the base may be attached and forms no part of the claimed design. The broken lines in FIGS. 7 and 8 show a clamp device to illustrate how the invention may be used. The clamp device forms no part of the claimed design. The broken lines in the sections of FIGS. 19 and 20 are the boundaries of the unclaimed interior cross section of the grip.

1 Claim, 9 Drawing Sheets

(58) **Field of Classification Search**

CPC A47B 21/04; A47B 2097/006; A47B 2097/005; A47B 2023/049; A45C 2011/002; A45C 2011/003; F16M 2200/00; F16M 13/00

See application file for complete search history.

(56)

References Cited

U.S. PATENT DOCUMENTS

D603,386	S	*	11/2009	Le	D14/239
D613,291	S		4/2010	Carver	D14/218
D652,045	S	*	1/2012	Hong	D14/447
D657,783	S		4/2012	Mo	D14/251
D669,481	S		10/2012	Prescott	D14/447
D671,545	S	*	11/2012	Guran	D14/447
D691,148	S	*	10/2013	Weatherby, III	D14/447
D691,149	S	*	10/2013	Breton	D14/447
D696,673	S		12/2013	Vogel	D14/447
D696,674	S		12/2013	Vogel	D14/447
D709,896	S	*	7/2014	McKinstry	D14/447
D714,775	S		10/2014	Yoo	D14/253
D724,072	S		3/2015	Jiang	D14/253
D731,497	S		6/2015	Xiang	D14/447
D733,116	S		6/2015	Aspinall	D14/253
D733,156	S		6/2015	Choi	D14/447
D742,386	S		11/2015	Rost	D14/447
D746,824	S	*	1/2016	Heckler	D14/447
D760,723	S	*	7/2016	Won	D14/447
D789,375	S	*	6/2017	Dalton	D14/447
D798,872	S	*	10/2017	Gonen	D14/447
D800,733	S	*	10/2017	Burns	D14/447

* cited by examiner

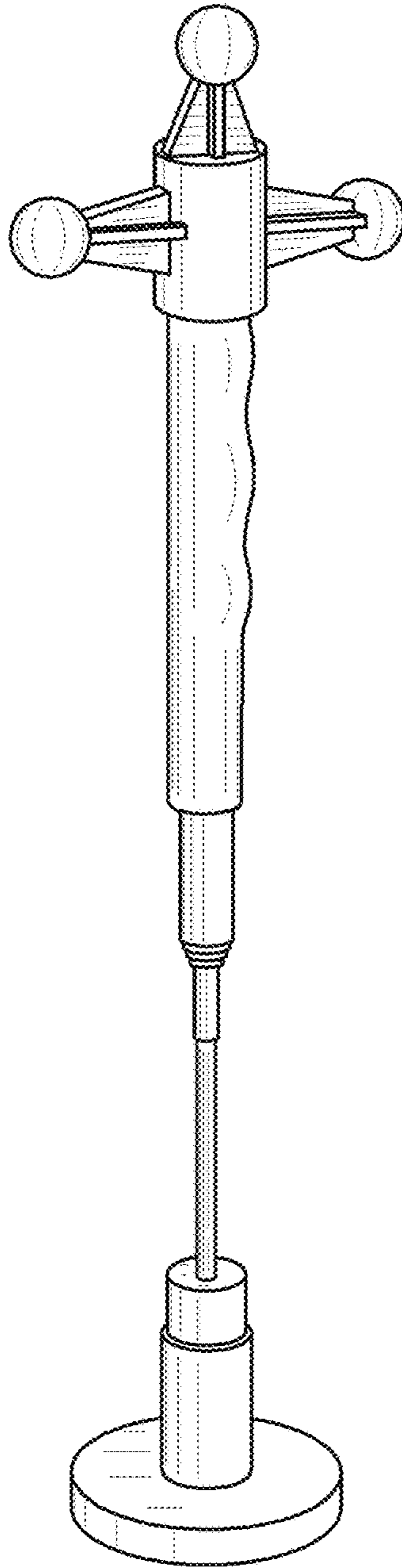


Fig. 1

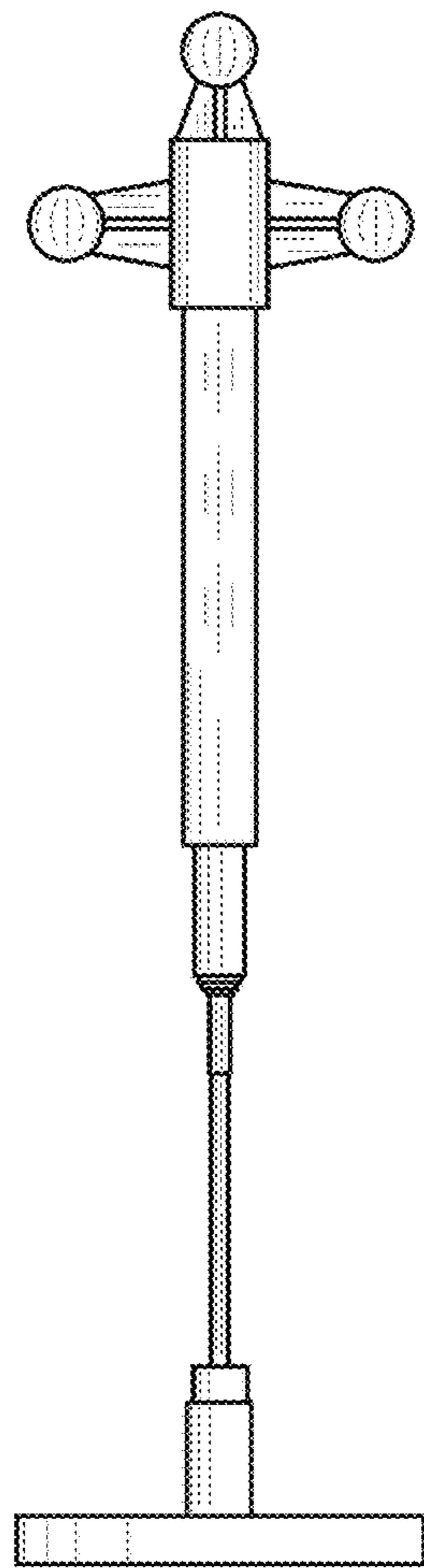


Fig. 2

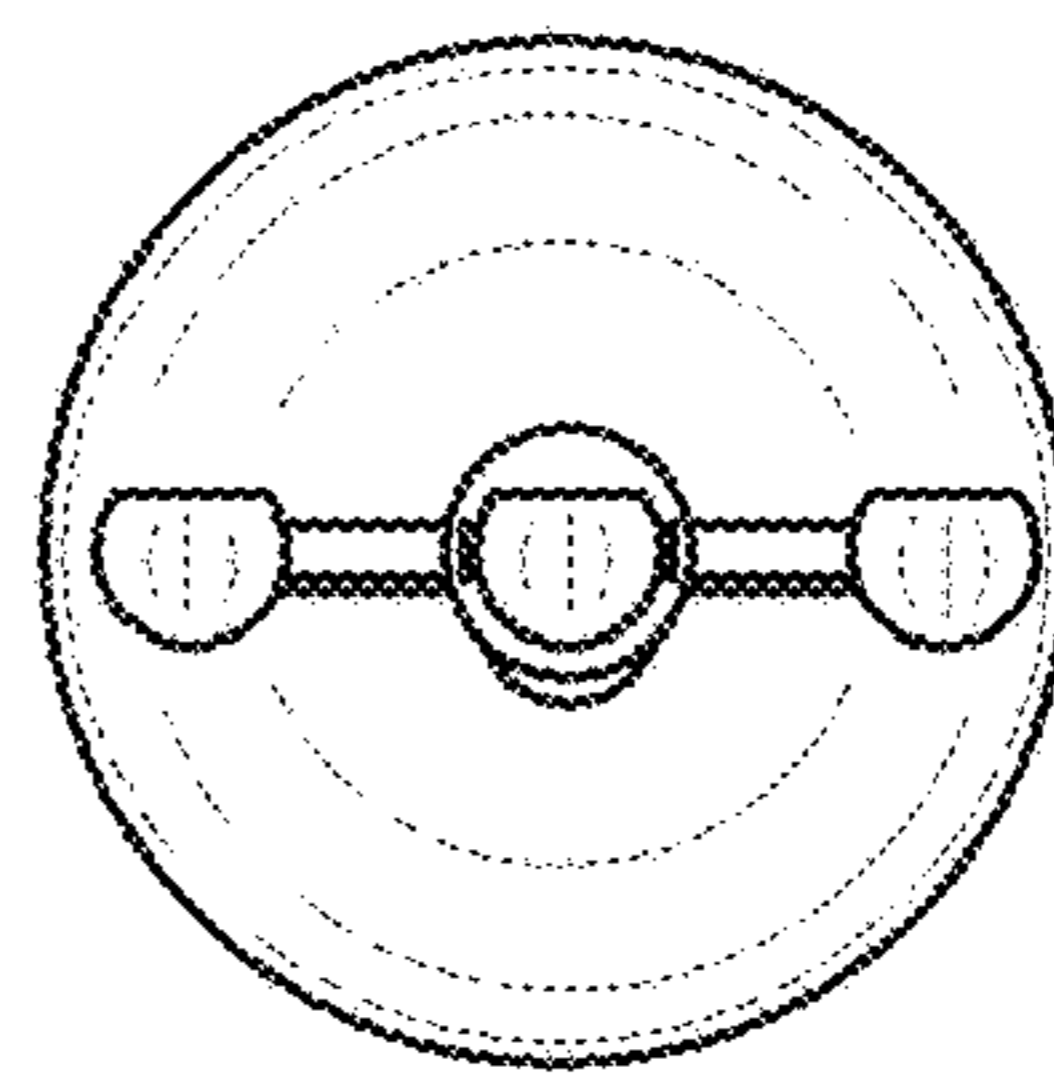


Fig. 3

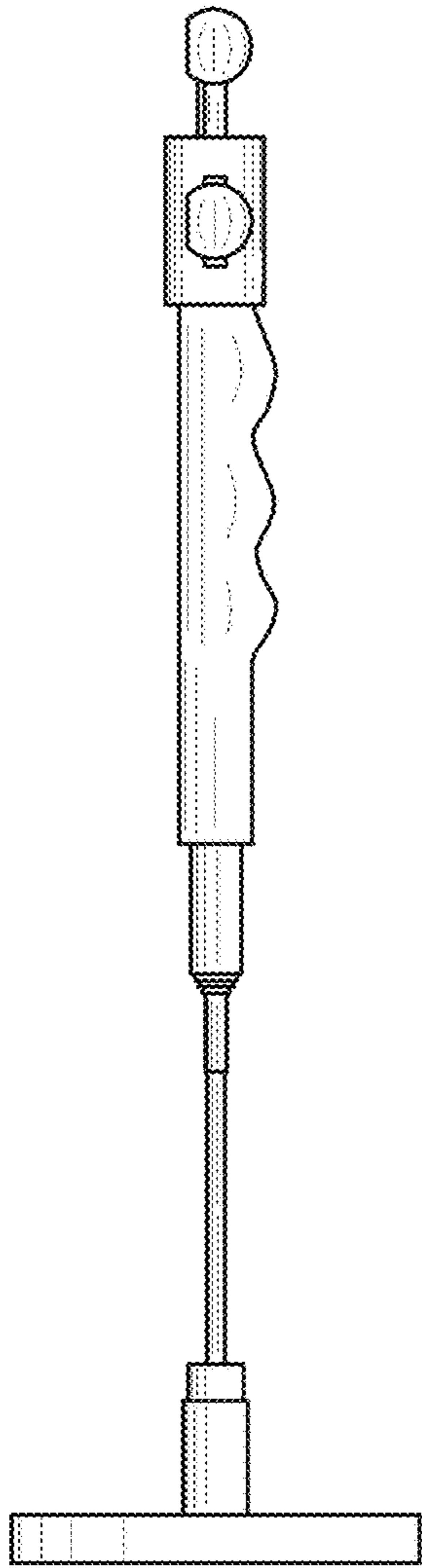


Fig. 4

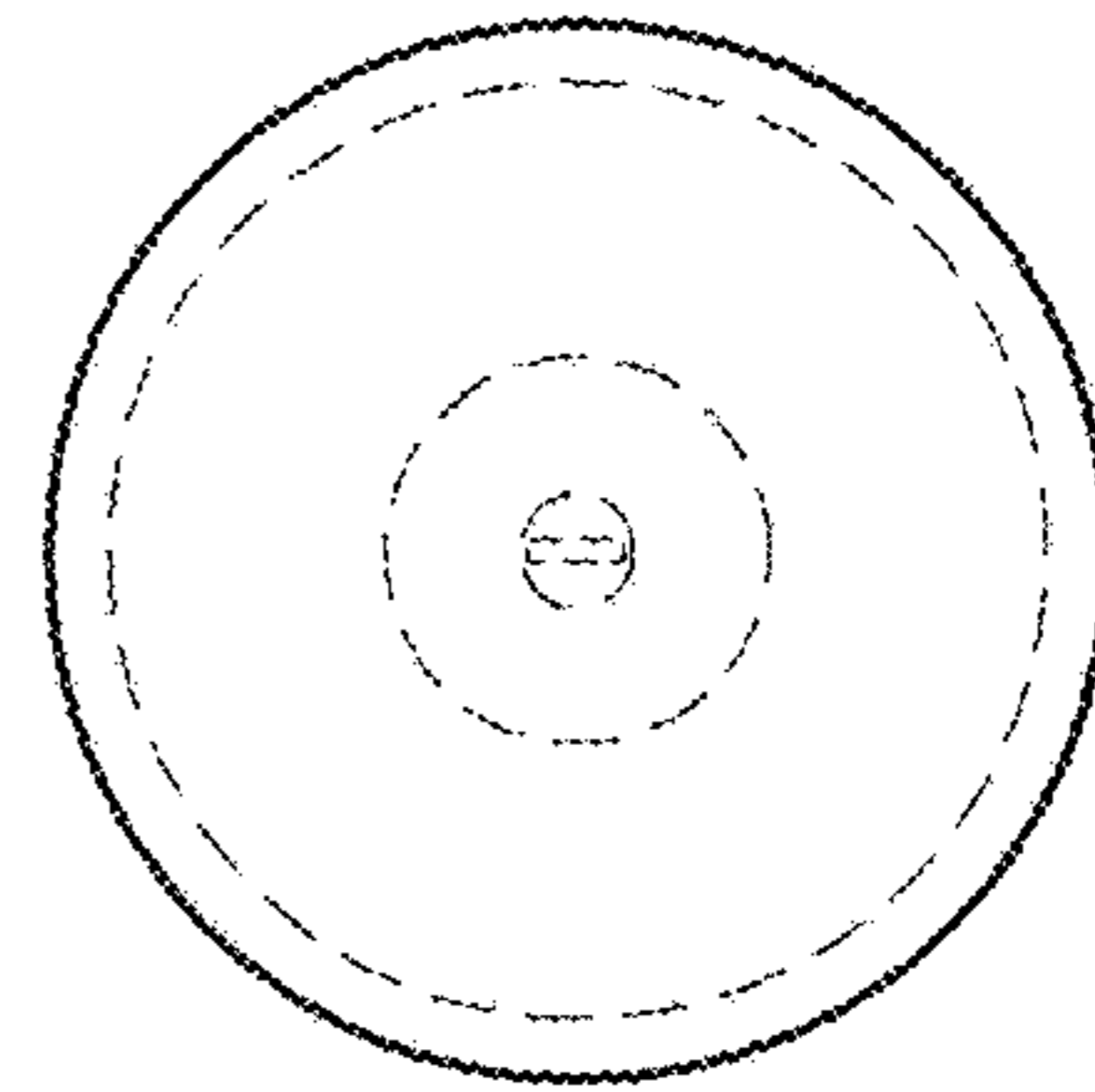


Fig. 5

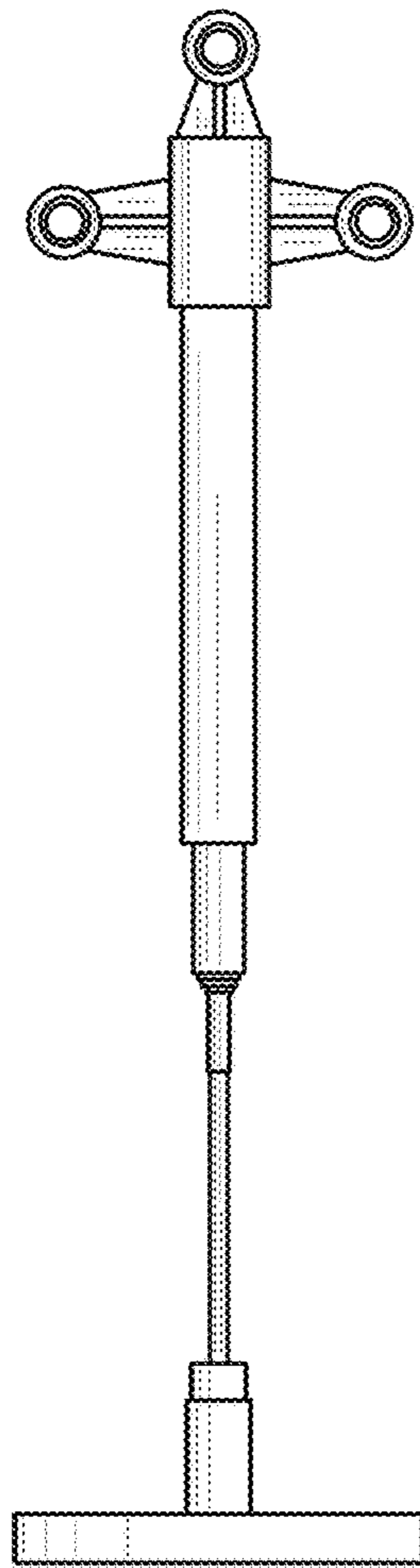


Fig. 6

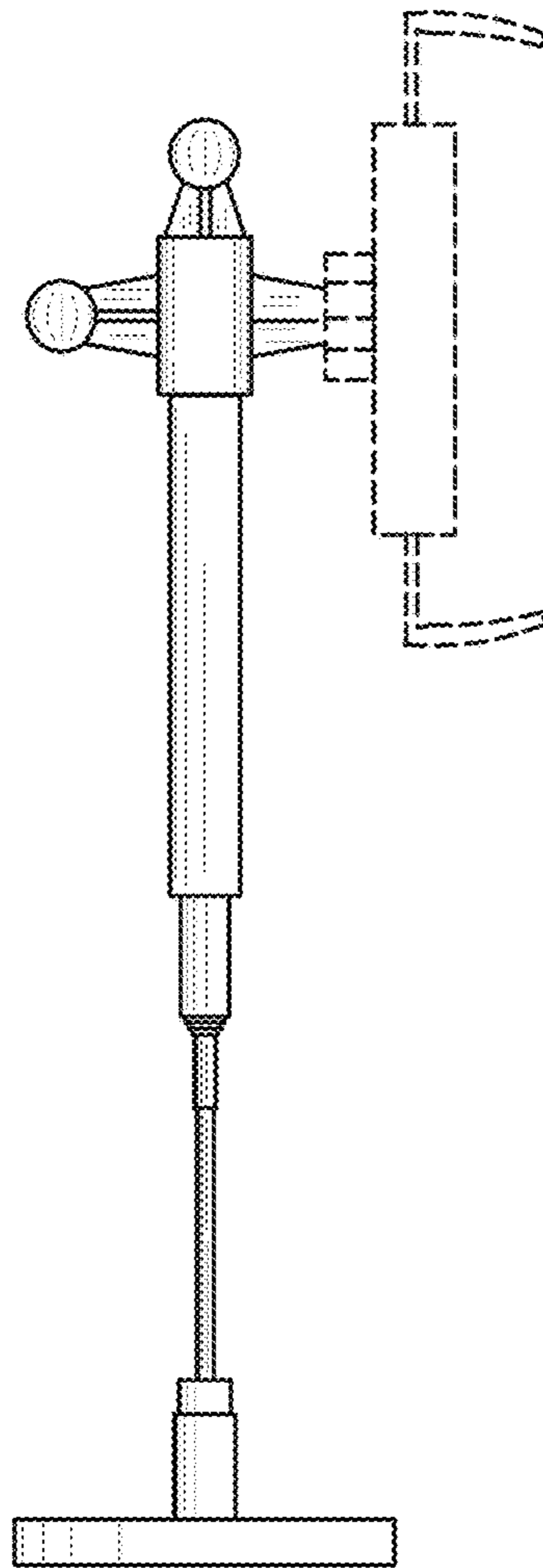


Fig. 7

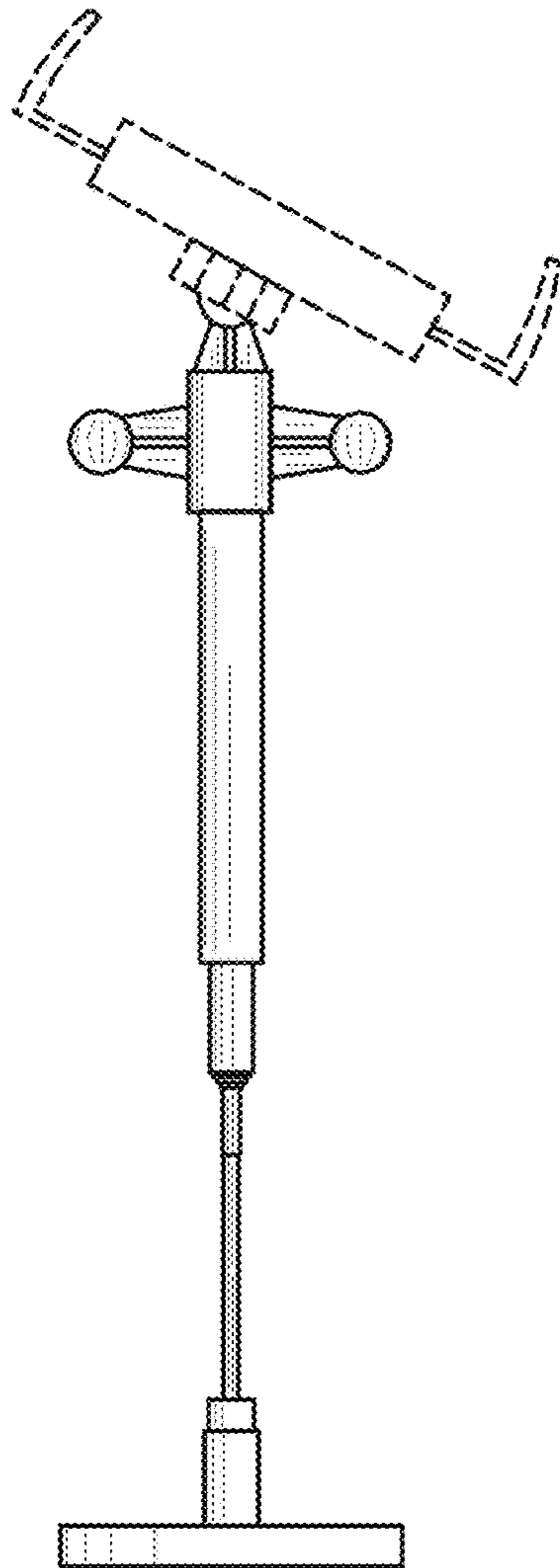


Fig. 8

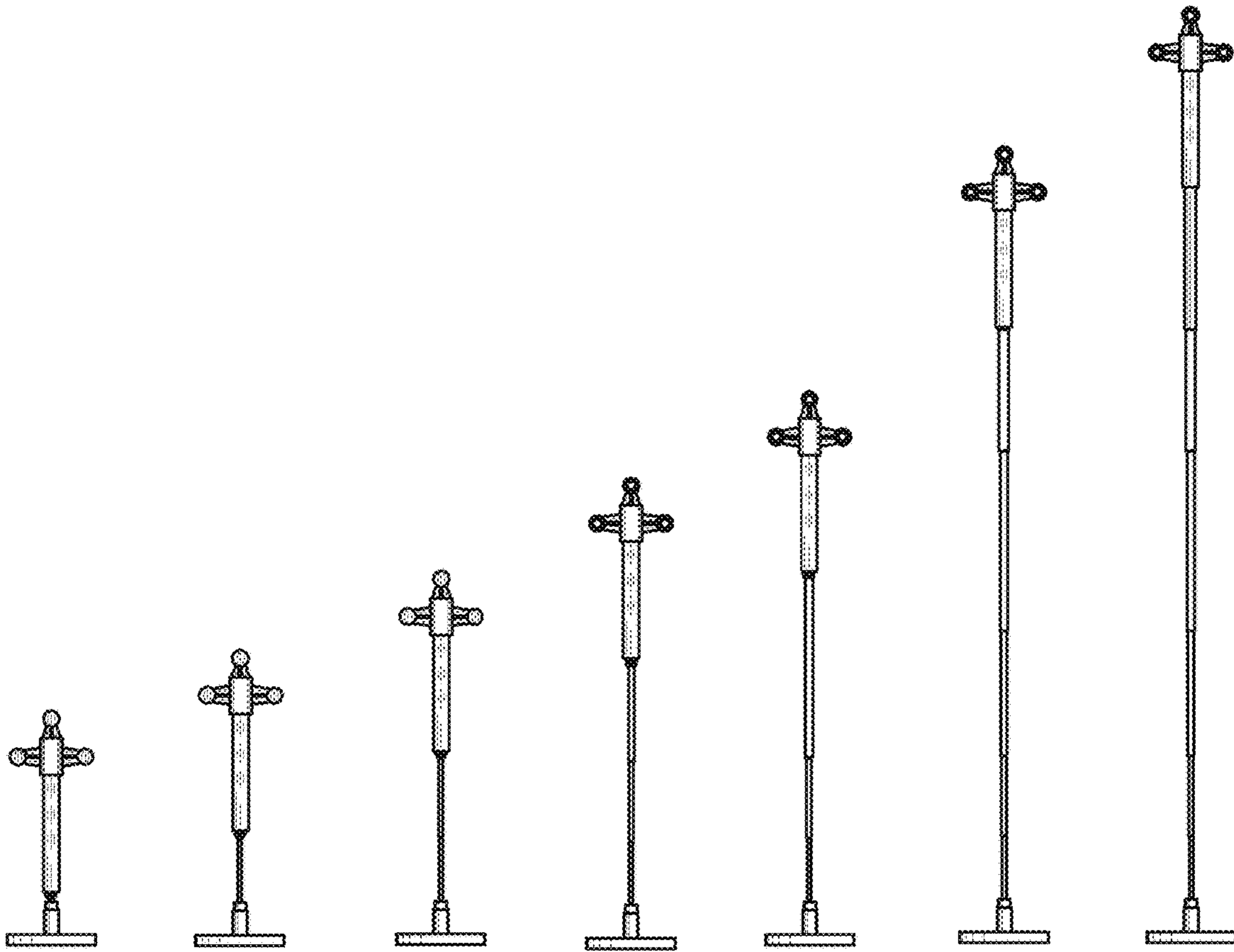


Fig. 9

Fig. 10

Fig. 11

Fig. 12

Fig. 13

Fig. 14

Fig. 15

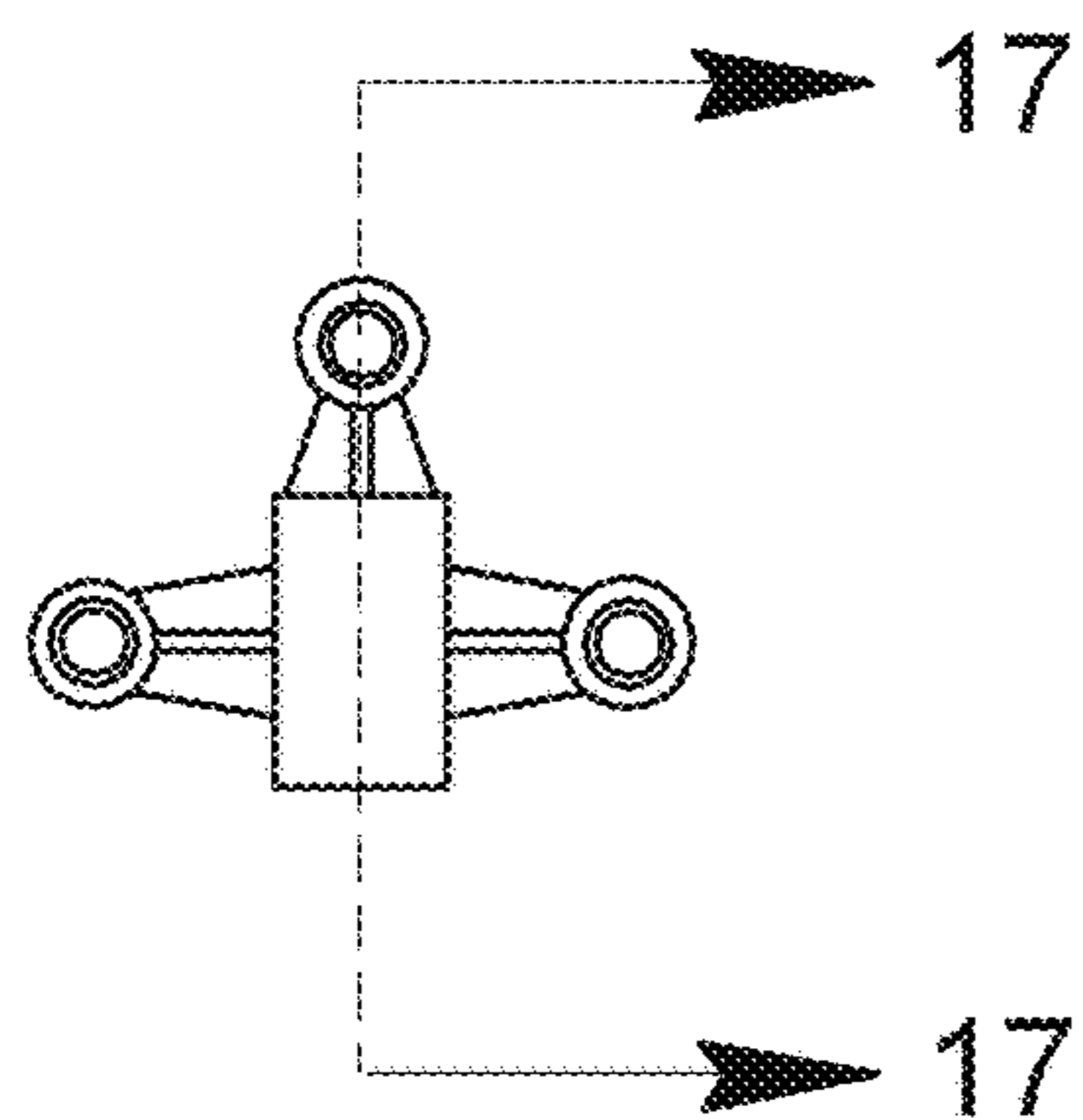


Fig. 16



Fig. 17

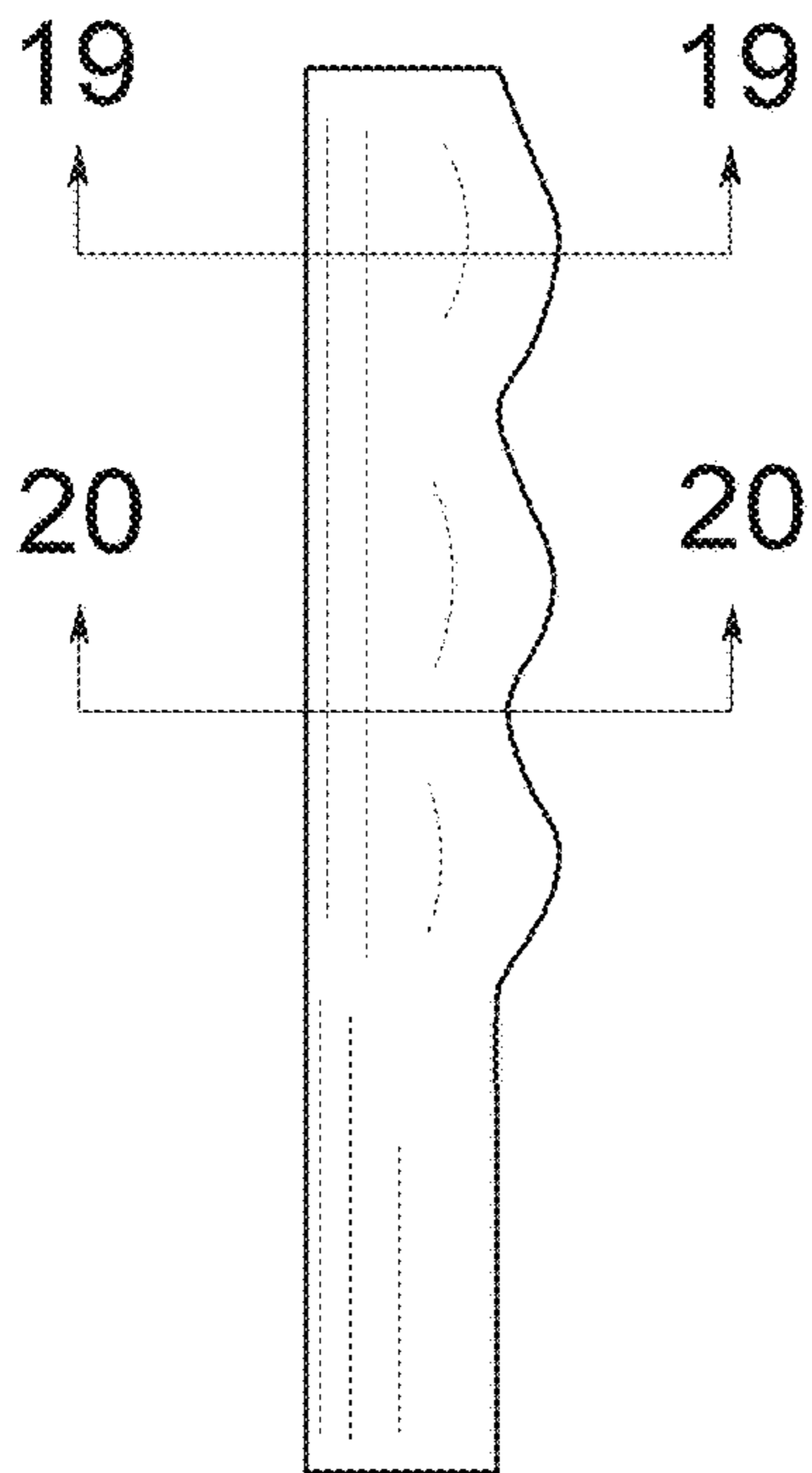


Fig. 18

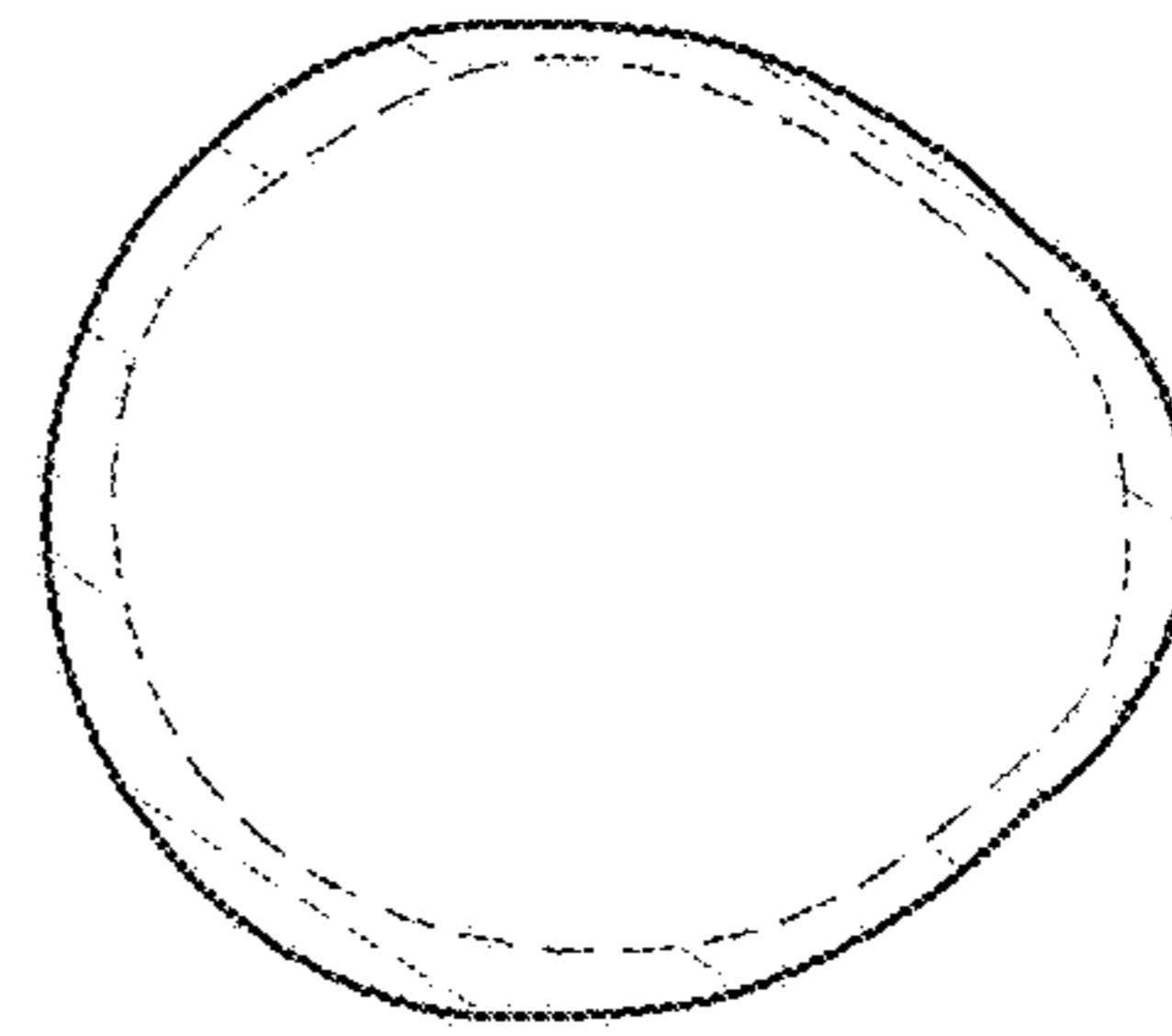


Fig. 19

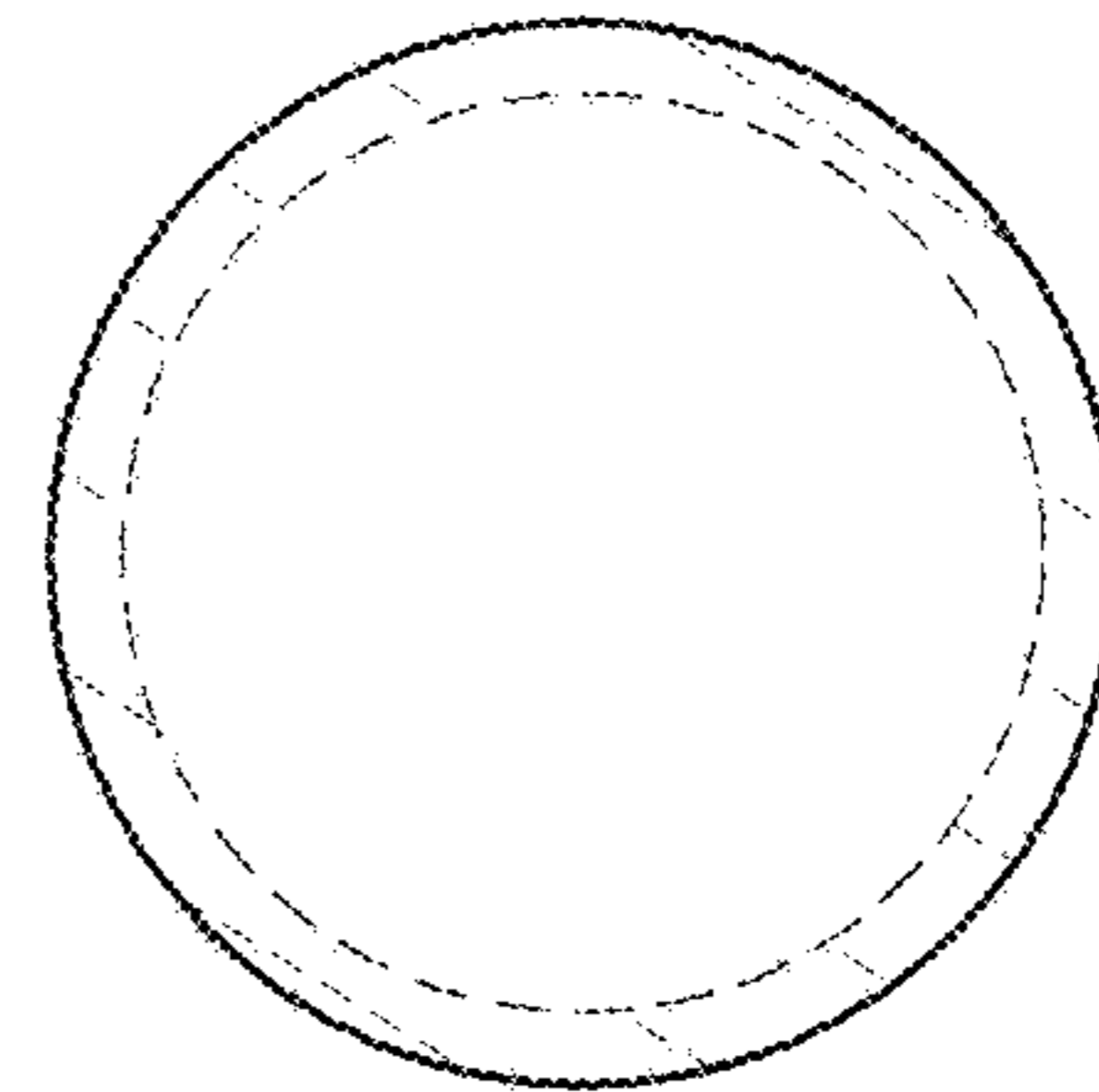


Fig. 20