



US00D845956S

(12) **United States Design Patent** (10) **Patent No.:** **US D845,956 S**
Moore et al. (45) **Date of Patent:** **** Apr. 16, 2019**

- (54) **DEVICE COVER**
- (71) Applicant: **Amazon Technologies, Inc.**, Seattle, WA (US)
- (72) Inventors: **Jesse Wheeler Moore**, Oakland, CA (US); **Monica Liane Mecchella**, San Francisco, CA (US)
- (73) Assignee: **Amazon Technologies, Inc.**, Seattle, WA (US)
- (**) Term: **15 Years**
- (21) Appl. No.: **29/631,908**
- (22) Filed: **Jan. 3, 2018**

- D713,846 S * 9/2014 Chen D14/440
- D736,777 S 8/2015 Rayner
- D742,889 S 11/2015 Mecchella et al.
- D742,890 S 11/2015 Mecchella et al.
- D748,097 S 1/2016 Feng
- D748,636 S 2/2016 Zadvinskis
- D750,619 S * 3/2016 Amit D14/341

(Continued)

OTHER PUBLICATIONS

Canadian Office Action dated Feb. 8, 2017 for Canadian Design Application No. 171479, a counterpart foreign application of Design U.S. Appl. No. 29/567,146, 1 page.

(Continued)

Primary Examiner — Cynthia R Underwood
(74) *Attorney, Agent, or Firm* — Lee & Hayes, P.C.

Related U.S. Application Data

- (62) Division of application No. 29/567,146, filed on Jun. 6, 2016, now Pat. No. Des. 810,088.
- (51) **LOC (11) Cl.** **14-02**
- (52) **U.S. Cl.**
USPC **D14/440**
- (58) **Field of Classification Search**
USPC D14/440; 206/45.23, 320, 45.2;
361/679.55; 294/25; 224/218
CPC ... G06F 1/1628; G06F 1/1626; A47B 23/044;
H04B 1/3888; H05K 5/0217
See application file for complete search history.

(57) **CLAIM**

The ornamental design for a device cover, as shown and described.

DESCRIPTION

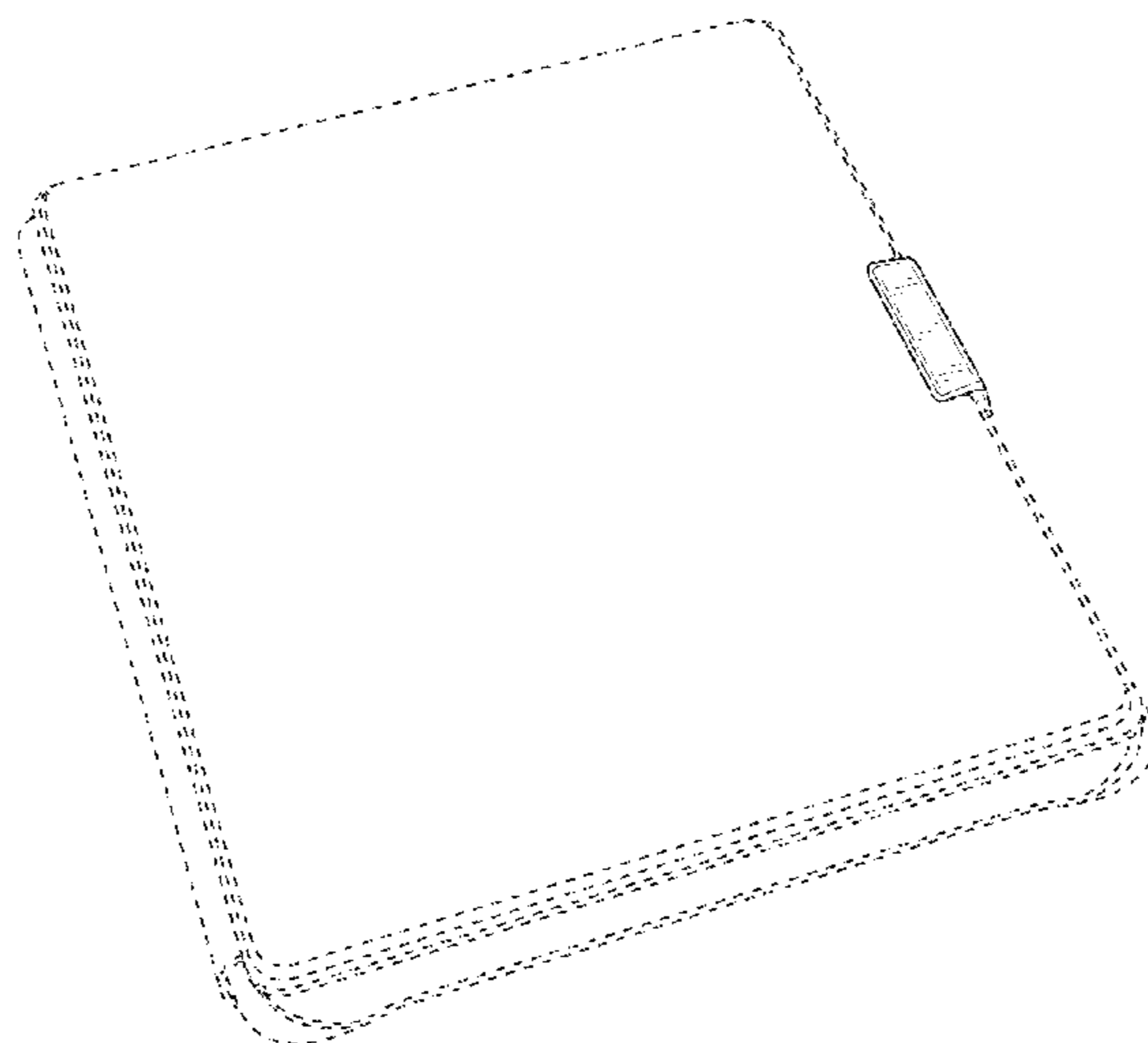
FIG. 1 is a perspective view of a device cover, taken from above;
 FIG. 2 is a front view of the device cover as shown in FIG. 1;
 FIG. 3 is a back view of the device cover as shown in FIG. 1;
 FIG. 4 is a left-side view of the device cover as shown in FIG. 1;
 FIG. 5 is a right-side view of the device cover as shown in FIG. 1;
 FIG. 6 is a top view of the device cover as shown in FIG. 1; and,
 FIG. 7 is a bottom view of the device cover as shown in FIG. 1.
 The broken lines depict portions of the device cover which form no part of the claimed design.

(56) **References Cited**

U.S. PATENT DOCUMENTS

- D467,429 S 12/2002 Bone et al.
- 8,016,107 B2 * 9/2011 Emsky A45C 11/00
206/320
- D657,354 S 4/2012 Kim
- D676,448 S 2/2013 Gorman et al.
- D676,449 S 2/2013 Probst et al.
- 8,542,495 B1 9/2013 Gorman et al.
- D707,229 S 6/2014 Almodova

1 Claim, 5 Drawing Sheets



(56)

References Cited

OTHER PUBLICATIONS

U.S. PATENT DOCUMENTS

D753,123 S 4/2016 Probst et al.
 9,307,131 B1 4/2016 Breen
 D761,798 S 7/2016 Lee et al.
 D765,086 S 8/2016 Lee et al.
 D765,663 S 9/2016 Shih et al.
 D768,638 S 10/2016 Lee et al.
 D774,036 S 12/2016 Kuntz
 D777,167 S * 1/2017 Wengreen D14/447
 D781,278 S 3/2017 Kim et al.
 D787,520 S 5/2017 Wall et al.
 D792,412 S 7/2017 Zhang
 D792,887 S 7/2017 Zhang
 D802,596 S * 11/2017 Hannon D14/440
 D804,486 S * 12/2017 Nyholm D14/440
 D807,892 S * 1/2018 Wang D14/440
 D824,391 S * 7/2018 Melmon D14/440
 D832,836 S * 11/2018 Akana D14/345
 2007/0097087 A1 5/2007 Homer et al.
 2008/0194139 A1 8/2008 Chan
 2012/0043235 A1 2/2012 Klement
 2012/0170212 A1 * 7/2012 Gallouzi F16M 11/041
 361/679.56
 2013/0222139 A1 * 8/2013 Gouge A61B 5/01
 340/573.1
 2013/0264459 A1 10/2013 McCosh et al.
 2016/0011628 A1 1/2016 Sato

Canadian Office Action dated Feb. 8, 2017 for Canadian Design Application No. 171477, a counterpart foreign application of Design U.S. Appl. No. 29/567,146, 1 page.
 Canadian Office Action dated Feb. 8, 2017 for Canadian Design Application No. 171478, a counterpart foreign application of Design U.S. Appl. No. 29/567,146, 1 page.
 Indian Office Action dated Dec. 13, 2016 for Indian Design Application No. 288537, a counterpart foreign application of Design U.S. Appl. No. 29/567,146, 2 pages.
 Indian Office Action dated Dec. 27, 2016 for Indian Design Application No. 288538, a counterpart foreign application of Design U.S. Appl. No. 29/567,146, 2 pages.
 Korean Office Action dated May 24, 2017 for Korean Design Application No. 30-2016-54584 M001, a counterpart foreign application of Design U.S. Appl. No. 29/567,146.
 Korean Office Action dated May 24, 2017 for Korean Design Application No. 30-2016-54584 M002, a counterpart foreign application of Design U.S. Appl. No. 29/567,146.
 Korean Office Action dated May 24, 2017 for Korean Design Application No. 30-2016-54584 M003, a counterpart foreign application of Design U.S. Appl. No. 29/567,146.

* cited by examiner

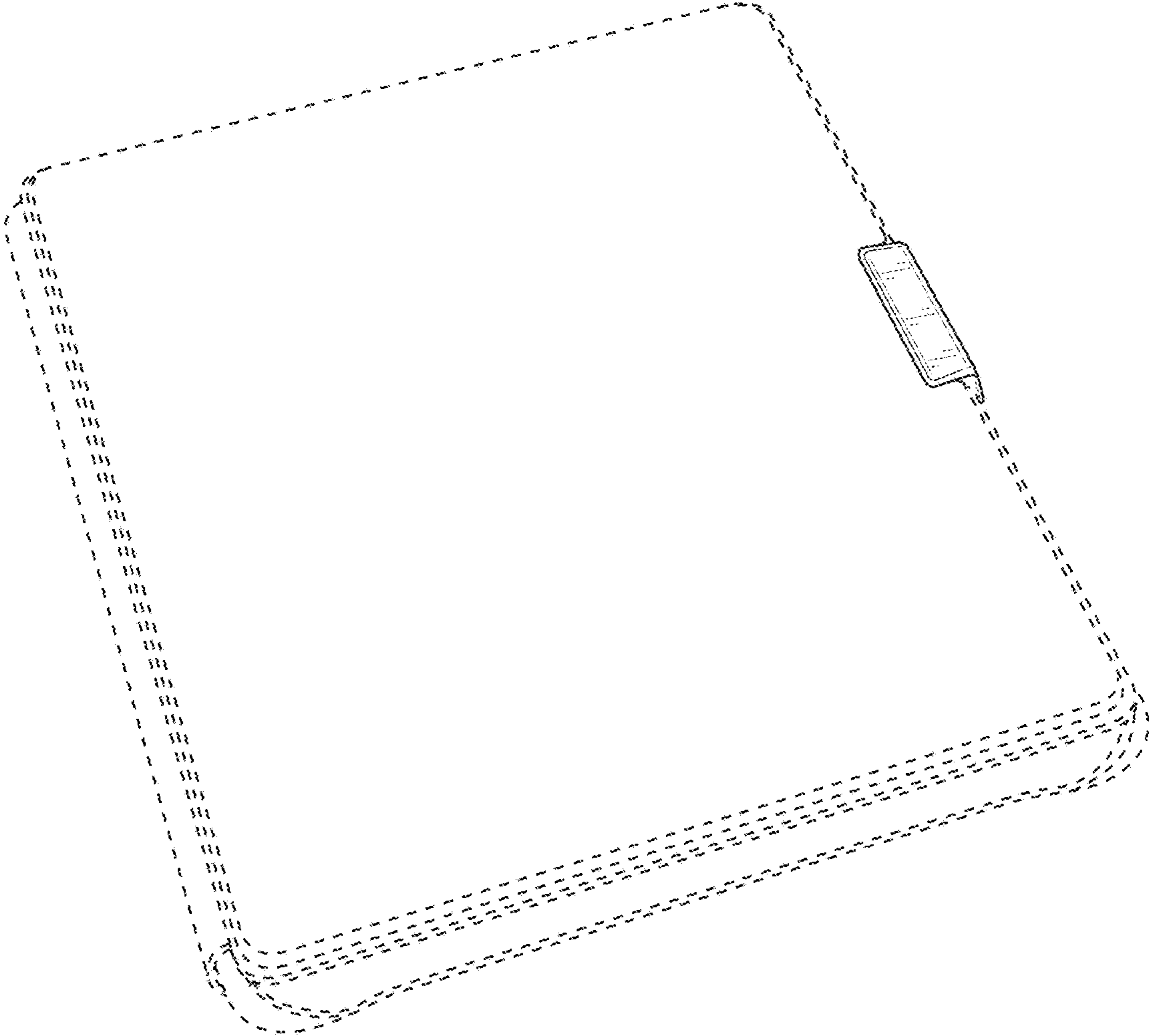


FIG. 1

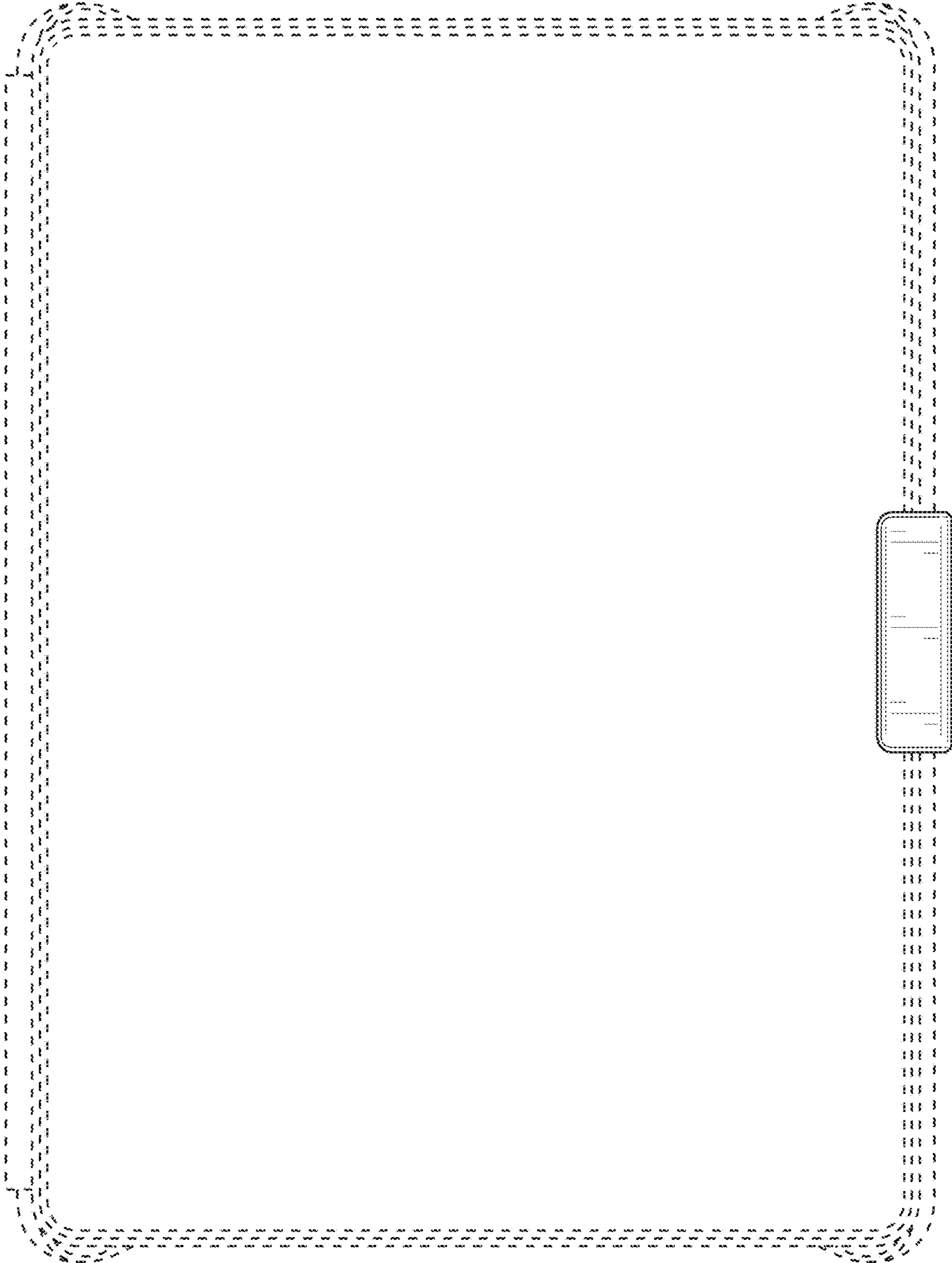


FIG. 2



FIG. 3

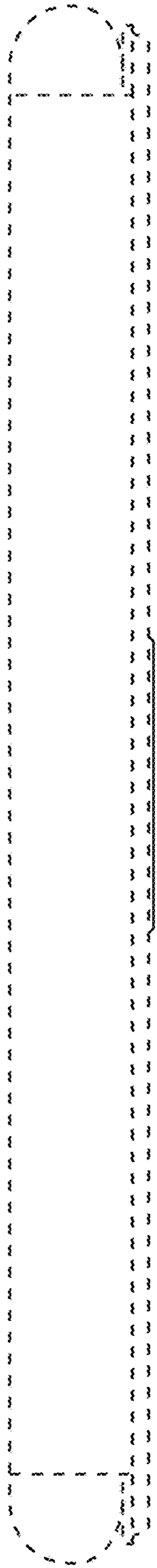


FIG. 4

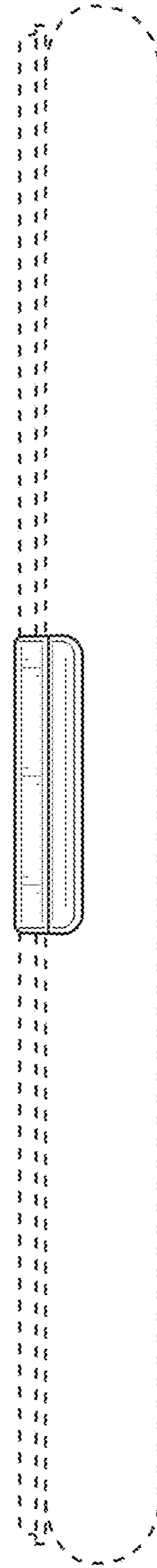


FIG. 5

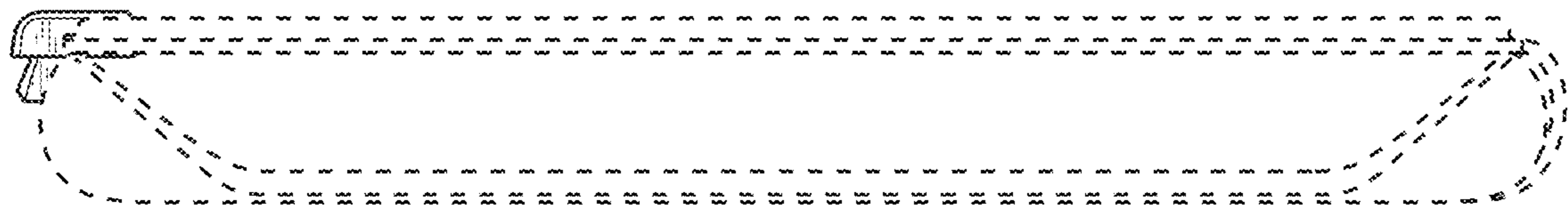


FIG. 6



FIG. 7