



US00D845955S

(12) **United States Design Patent**  
**Zhong**

(10) **Patent No.:** **US D845,955 S**

(45) **Date of Patent:** **\*\* Apr. 16, 2019**

(54) **HAND STRAP**

(71) Applicant: **GETAC TECHNOLOGY CORPORATION**, Hsinchu County (TW)

(72) Inventor: **Shi-Liang Zhong**, Taipei (TW)

(73) Assignee: **GETAC TECHNOLOGY CORPORATION**, Hsinchu County (TW)

(\*\*) Term: **15 Years**

(21) Appl. No.: **29/621,556**

(22) Filed: **Oct. 9, 2017**

(51) **LOC (11) Cl.** ..... **14-02**

(52) **U.S. Cl.**  
USPC ..... **D14/439**

(58) **Field of Classification Search**  
USPC ..... D14/300–302, 308–313, 314, 348, D14/353–355, 432, 439–446, 447; D19/65, 91  
CPC ..... A45C 11/00; A45C 2011/003; B60R 11/0241; B60R 11/0252; F16M 13/00  
See application file for complete search history.

(56) **References Cited**

**U.S. PATENT DOCUMENTS**

7,717,483 B1 \* 5/2010 Bombara ..... A47G 23/0625 206/557  
D693,818 S \* 11/2013 Webber ..... D14/439

D693,819 S \* 11/2013 Cocquyt ..... D14/439  
D714,394 S \* 9/2014 Baumann ..... D21/398  
D733,147 S \* 6/2015 Stevens ..... D14/439  
D749,559 S \* 2/2016 Senoff ..... D14/251  
D765,662 S \* 9/2016 Kang ..... D14/251  
D769,859 S \* 10/2016 Herbst ..... D14/253  
D772,233 S \* 11/2016 Kuo ..... D14/439  
9,486,910 B2 \* 11/2016 Stevens ..... F16M 11/041  
D792,408 S \* 7/2017 Kuo ..... D14/432  
D795,240 S \* 8/2017 Kaufman ..... D14/253  
D819,603 S \* 6/2018 Pearce ..... D14/217  
D820,823 S \* 6/2018 Ahn ..... D14/253  
2011/0284599 A1 \* 11/2011 Sternick ..... A45F 5/00 224/191

\* cited by examiner

*Primary Examiner* — Charles D Hanson

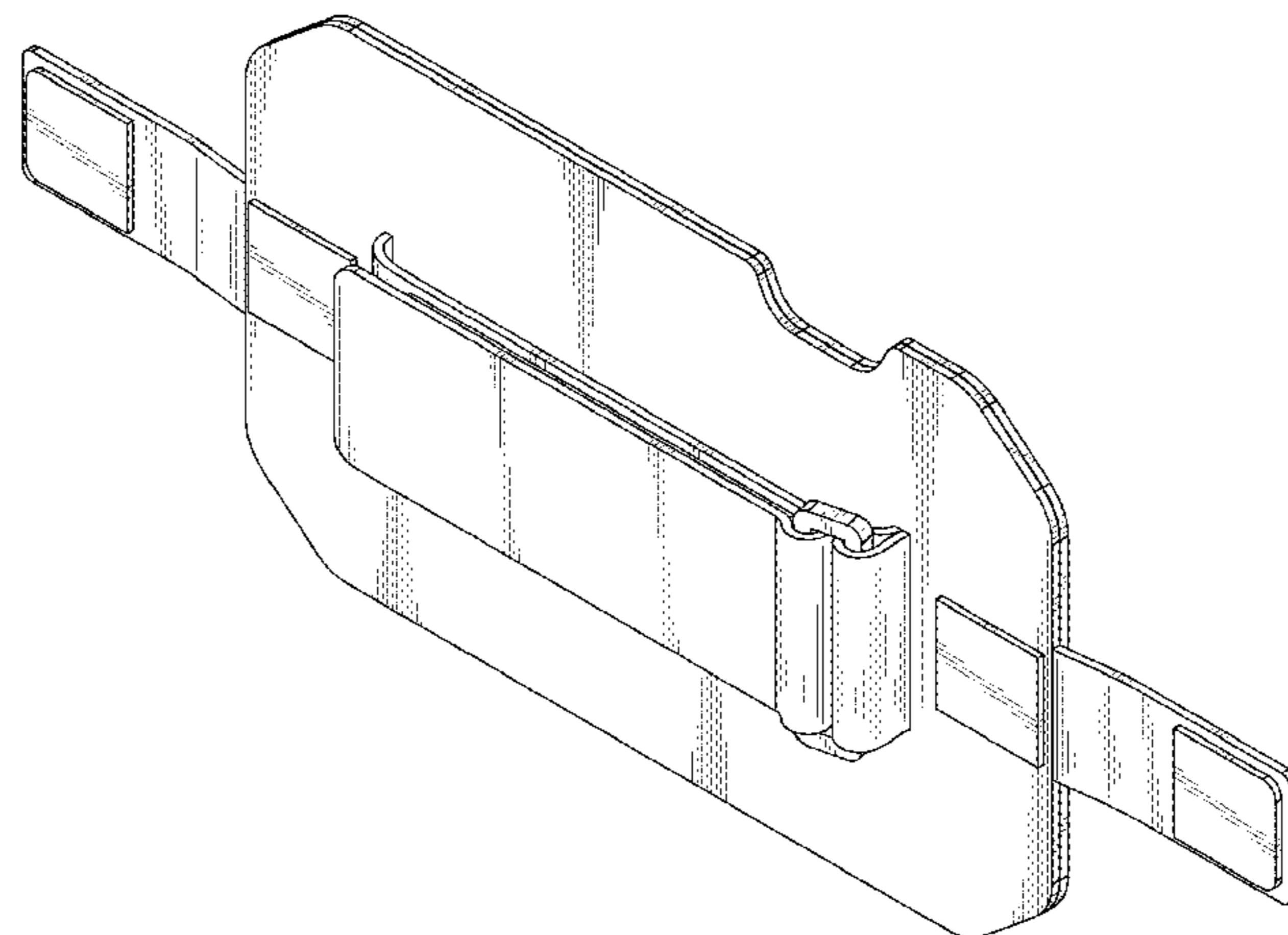
(57) **CLAIM**

The ornamental design is for a hand strap, as shown and described.

**DESCRIPTION**

FIG. 1 is a top, front and right side perspective view showing a first embodiment of my new design;  
FIG. 2 is a front view thereof;  
FIG. 3 is a rear view thereof;  
FIG. 4 is a left side view thereof;  
FIG. 5 is a right side view thereof;  
FIG. 6 is a top view thereof;  
FIG. 7 is a bottom view thereof; and,  
FIG. 8 is a reference perspective view showing a first embodiment of my new design assembled on a portable electronic device.

**1 Claim, 6 Drawing Sheets**



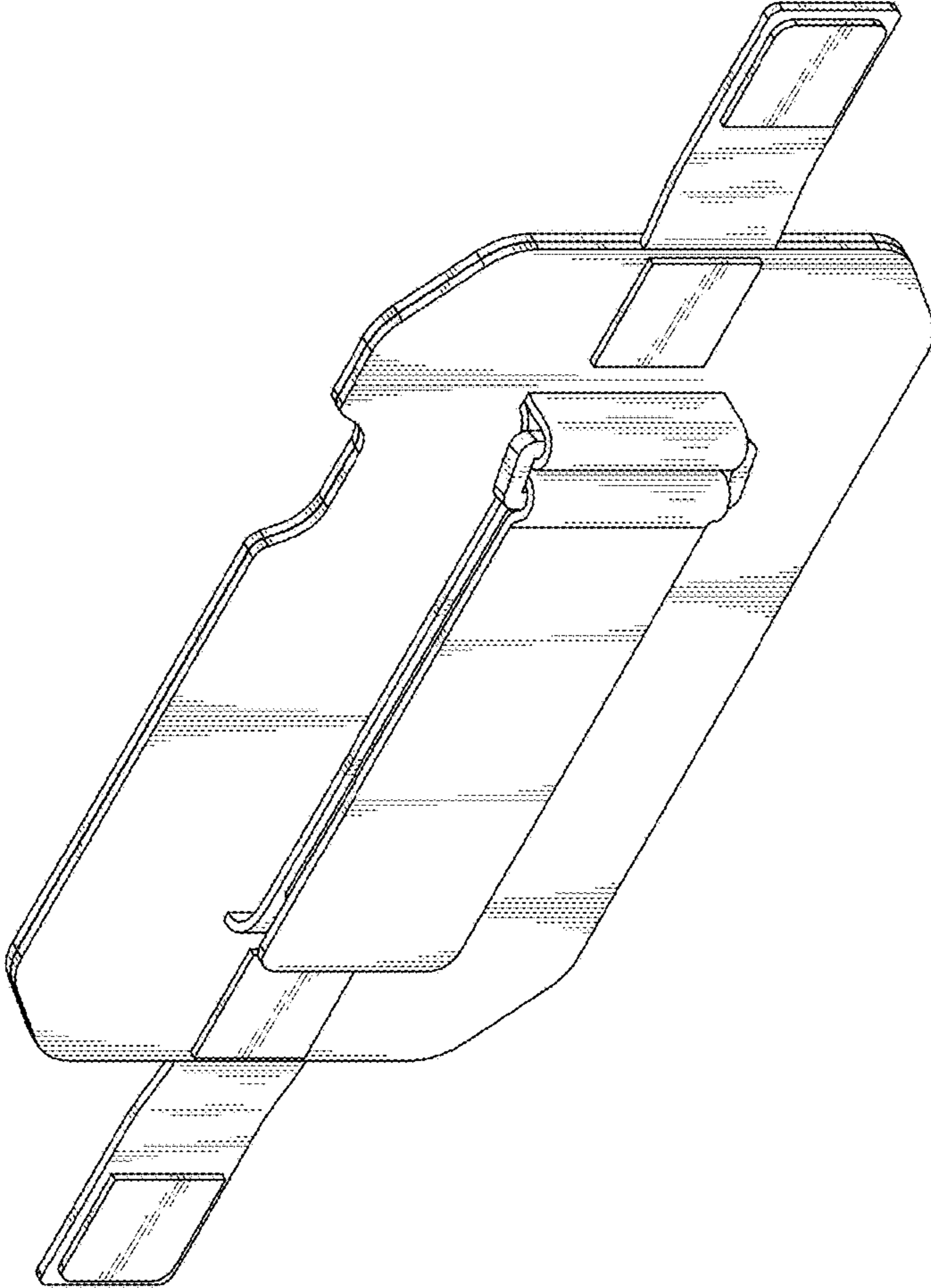


FIG. 1

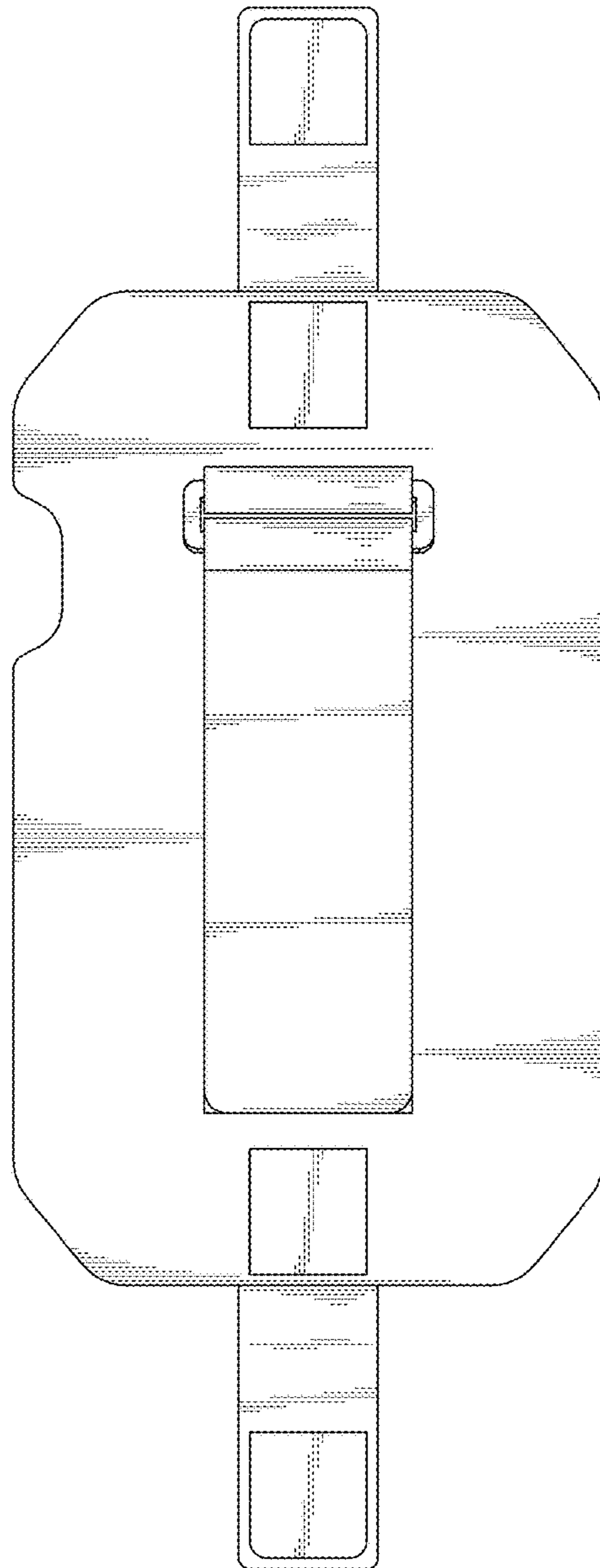


FIG. 2

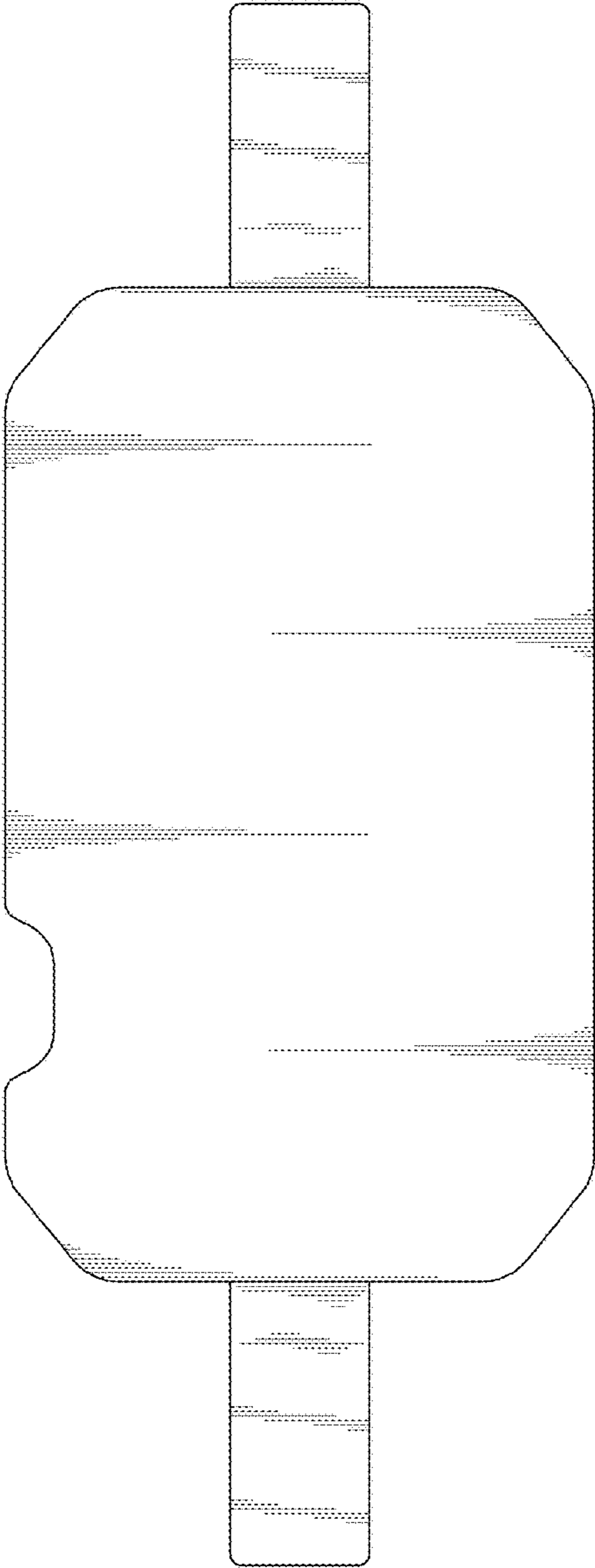


FIG. 3

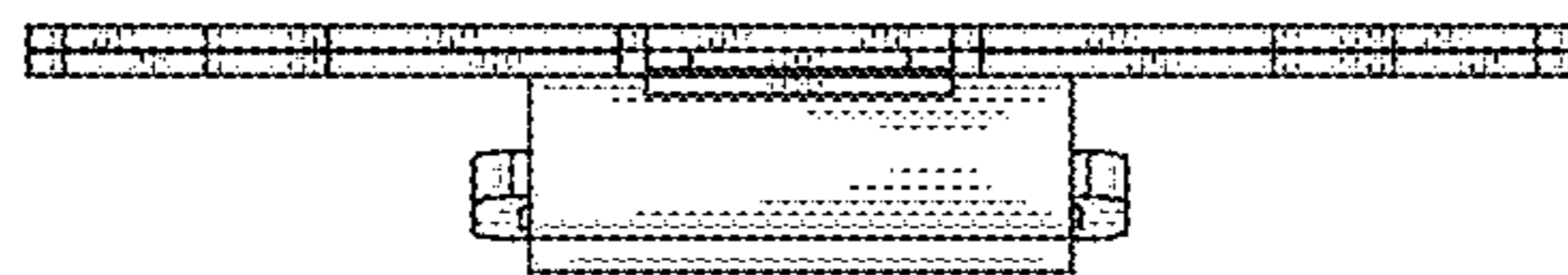


FIG. 5



FIG. 4

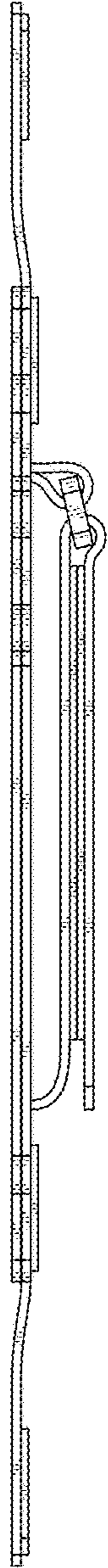


FIG. 6

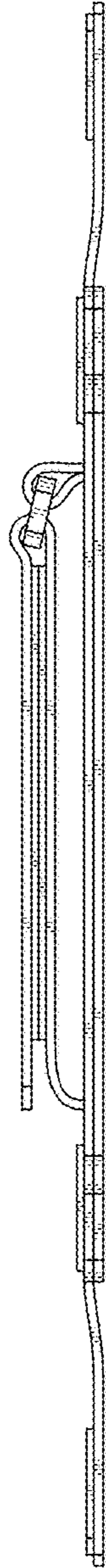


FIG. 7

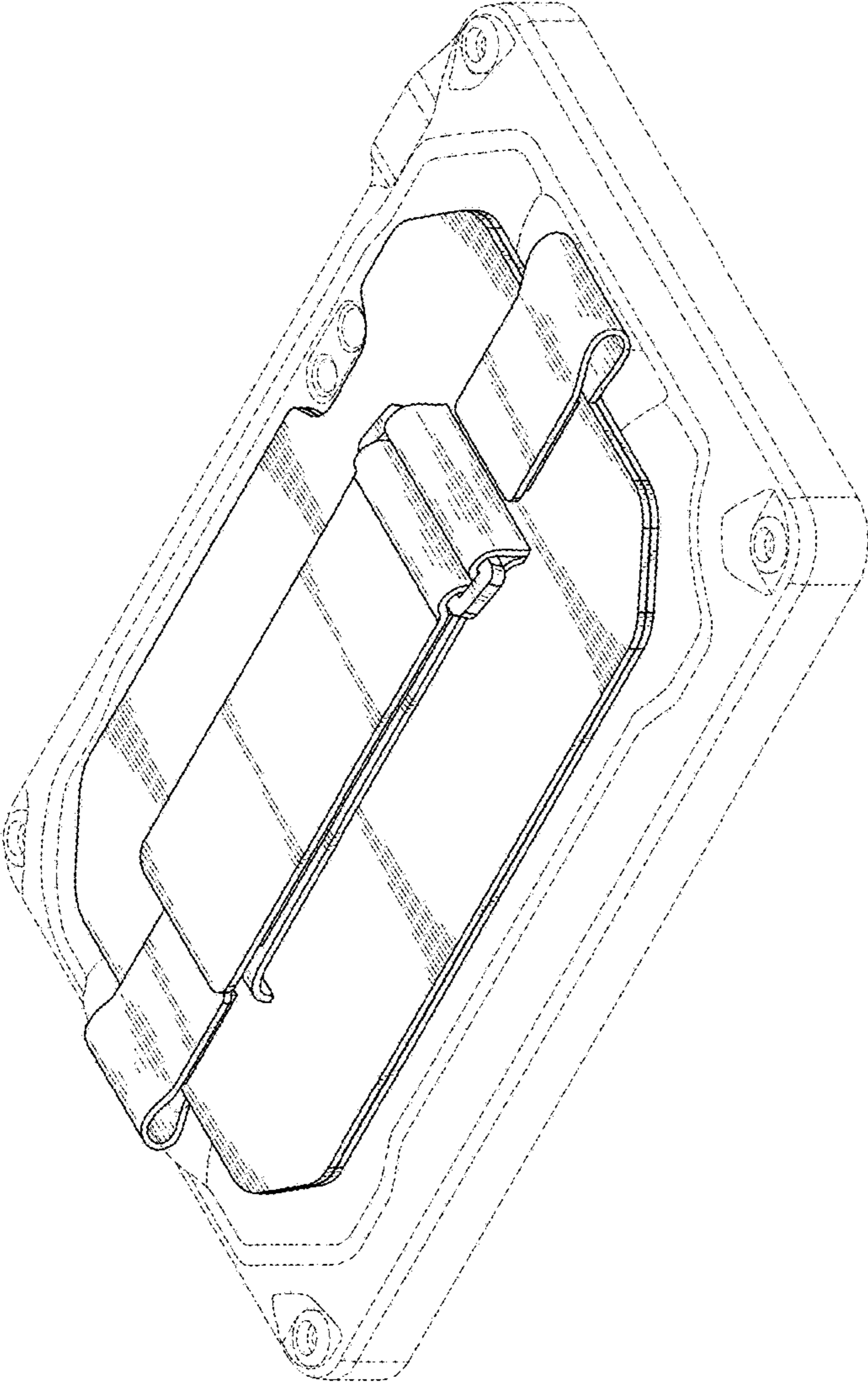


FIG. 8