



US00D845954S

(12) **United States Design Patent** (10) **Patent No.:** **US D845,954 S**  
**Bae et al.** (45) **Date of Patent:** **\*\* Apr. 16, 2019**

(54) **DOCKING STATION FOR ELECTRONIC DEVICE**

(71) Applicant: **SAMSUNG ELECTRONICS CO., LTD.**, Suwon-si, Gyeonggi-do (KR)  
(72) Inventors: **Hyemin Bae**, Seoul (KR); **Sanhui Oh**, Seoul (KR); **Yongseok Bang**, Yongin-si (KR)  
(73) Assignee: **SAMSUNG ELECTRONICS CO., LTD.**, Gyeonggi-Do (KR)  
(\*\*) Term: **15 Years**

(21) Appl. No.: **29/642,413**

(22) Filed: **Mar. 29, 2018**

(30) **Foreign Application Priority Data**

Jan. 31, 2018 (KR) ..... 30-2018-0005362

(51) **LOC (11) Cl.** ..... **14-02**

(52) **U.S. Cl.**  
USPC ..... **D14/434; D14/253**

(58) **Field of Classification Search**  
USPC ..... D14/434, 432, 433, 440, 447, 251–253, D14/451, 452, 454, 140, 142, 149, 217, D14/240, 299, 496, 356, 357, 358, 209.1, D14/171; D13/103, 107, 108, 118, 119, D13/110, 123, 184; D21/333; D6/512, D6/672, 682, 682.5  
CPC .... G06F 1/1616; G06F 1/1626; G06F 1/1632; G06F 1/1688; G06F 13/00; H01M 10/44; F16M 11/10; F16M 11/20; H02J 7/0042; H02J 7/00; H02J 7/0027; H02J 7/0044; H02J 7/0045; H02J 7/355; H02J 7/025; H01R 31/065; H04R 1/025; H04R 5/04

See application file for complete search history.

(56) **References Cited**

U.S. PATENT DOCUMENTS

|              |         |                |         |
|--------------|---------|----------------|---------|
| D514,108 S   | 1/2006  | Bahar et al.   |         |
| D523,419 S * | 6/2006  | Joseph .....   | D14/214 |
| D535,252 S   | 1/2007  | Sandnes        |         |
| D546,839 S * | 7/2007  | Hynecek .....  | D14/434 |
| D577,334 S * | 9/2008  | Kim .....      | D13/108 |
| D583,315 S * | 12/2008 | Kujawski ..... | D13/107 |
| D606,065 S * | 12/2009 | Rihu .....     | D14/253 |
| D609,637 S * | 2/2010  | Chu .....      | D13/108 |
| D609,638 S * | 2/2010  | Biheller ..... | D13/108 |
| D611,408 S * | 3/2010  | Ferber .....   | D13/108 |
| D638,817 S * | 5/2011  | Fleming .....  | D14/145 |
| D638,818 S * | 5/2011  | Fleming .....  | D14/145 |
| D649,945 S * | 12/2011 | Kim .....      | D14/125 |

(Continued)

*Primary Examiner* — Marie D. Fast Horse

(74) *Attorney, Agent, or Firm* — Cantor Colburn LLP

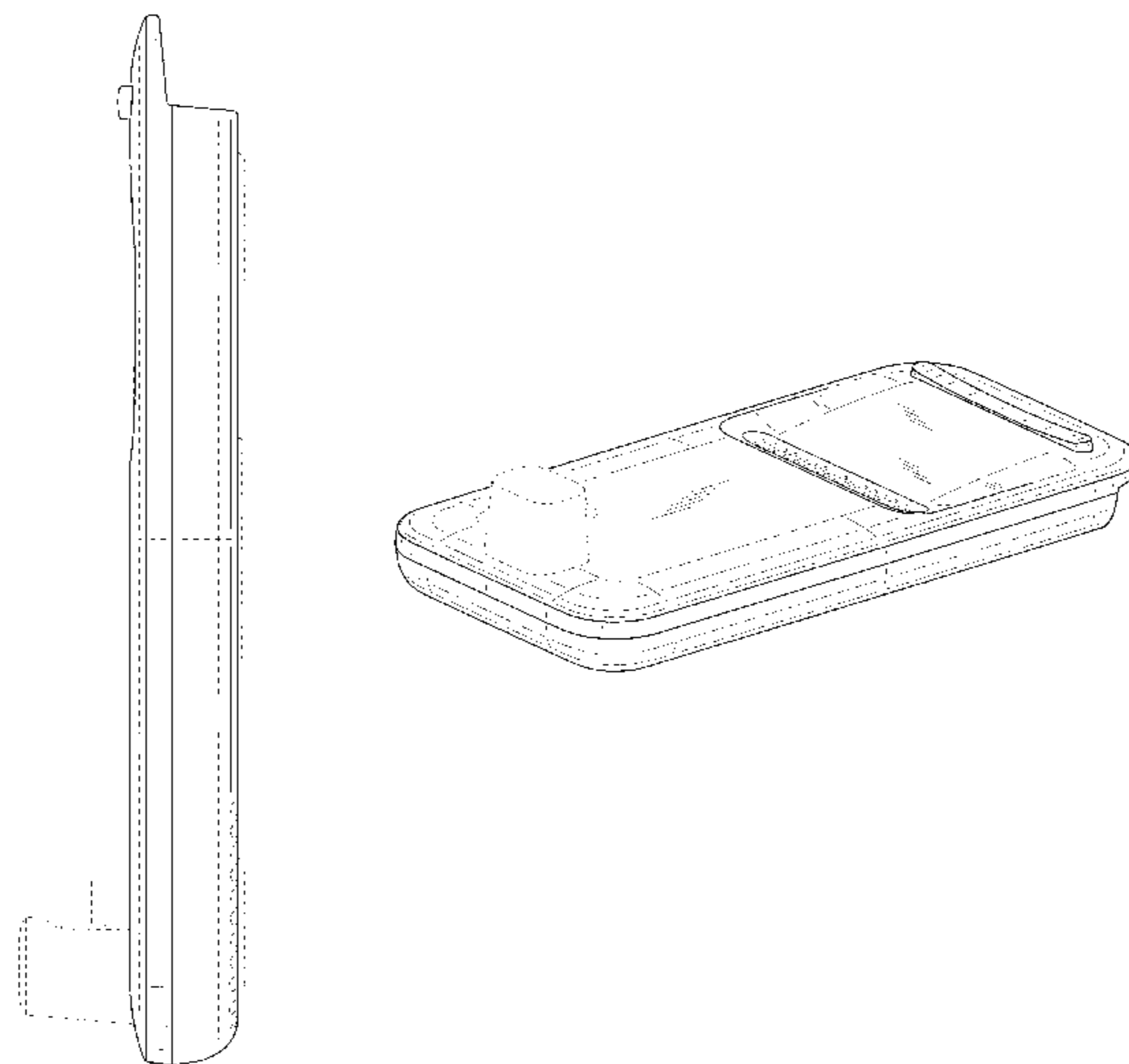
(57) **CLAIM**

The ornamental design for a docking station for electronic device, as shown and described.

**DESCRIPTION**

FIG. 1 is a front perspective view of a docking station for electronic device showing our new design;  
FIG. 2 is a front view thereof;  
FIG. 3 is a rear view thereof;  
FIG. 4 is a left-side view thereof;  
FIG. 5 is a right-side view thereof;  
FIG. 6 is a top view thereof;  
FIG. 7 is a bottom view thereof;  
FIG. 8 is another front perspective view thereof; and,  
FIG. 9 is a right-side view thereof in an environment of use. The broken lines in FIG. 9 consisting of the large dashes, showing the electronic device, depict environmental subject matter only and form no part of the claim; while all other broken lines depict portions of the docking station for electronic device that form no part of the claimed design.

**1 Claim, 7 Drawing Sheets**



(56)

**References Cited**

## U.S. PATENT DOCUMENTS

D653,232 S \* 1/2012 Jones ..... D14/144  
D659,690 S \* 5/2012 Huang ..... D14/138 G  
D662,918 S \* 7/2012 Ikeda ..... D14/240  
D662,919 S \* 7/2012 Ikeda ..... D14/240  
D668,247 S \* 10/2012 Kim ..... D14/253  
D671,935 S \* 12/2012 Mao ..... D14/253  
D675,602 S \* 2/2013 Ikeda ..... D14/240  
D687,817 S \* 8/2013 Petersen ..... D14/240  
D689,496 S \* 9/2013 Park ..... D14/434  
D692,438 S \* 10/2013 Chang ..... D14/447  
D719,934 S \* 12/2014 Xiao ..... D14/251  
D719,939 S \* 12/2014 Liang ..... D14/240  
D725,781 S \* 3/2015 Collins ..... D24/169  
D729,239 S \* 5/2015 Fukuoka ..... D14/348  
D745,010 S \* 12/2015 Kim ..... D14/433  
D749,507 S \* 2/2016 Choi ..... D13/108  
D750,020 S \* 2/2016 Song ..... D13/108  
D750,764 S \* 3/2016 DeSocio ..... D23/304  
D751,071 S \* 3/2016 Kurata ..... D14/365  
D755,184 S \* 5/2016 Uranga ..... D14/433  
D762,171 S \* 7/2016 Jung ..... D13/108  
D785,564 S \* 5/2017 Lee ..... D13/108  
D793,958 S \* 8/2017 Rautiainen ..... D13/108  
RE46,597 E \* 11/2017 Collins ..... D24/169  
D813,806 S \* 3/2018 Ito ..... D13/108  
D819,595 S \* 6/2018 Tan ..... D14/209.1  
D830,370 S \* 10/2018 McKenna ..... D14/451  
2018/0074550 A1 \* 3/2018 Sorias ..... G06F 1/1632

\* cited by examiner

FIG.1

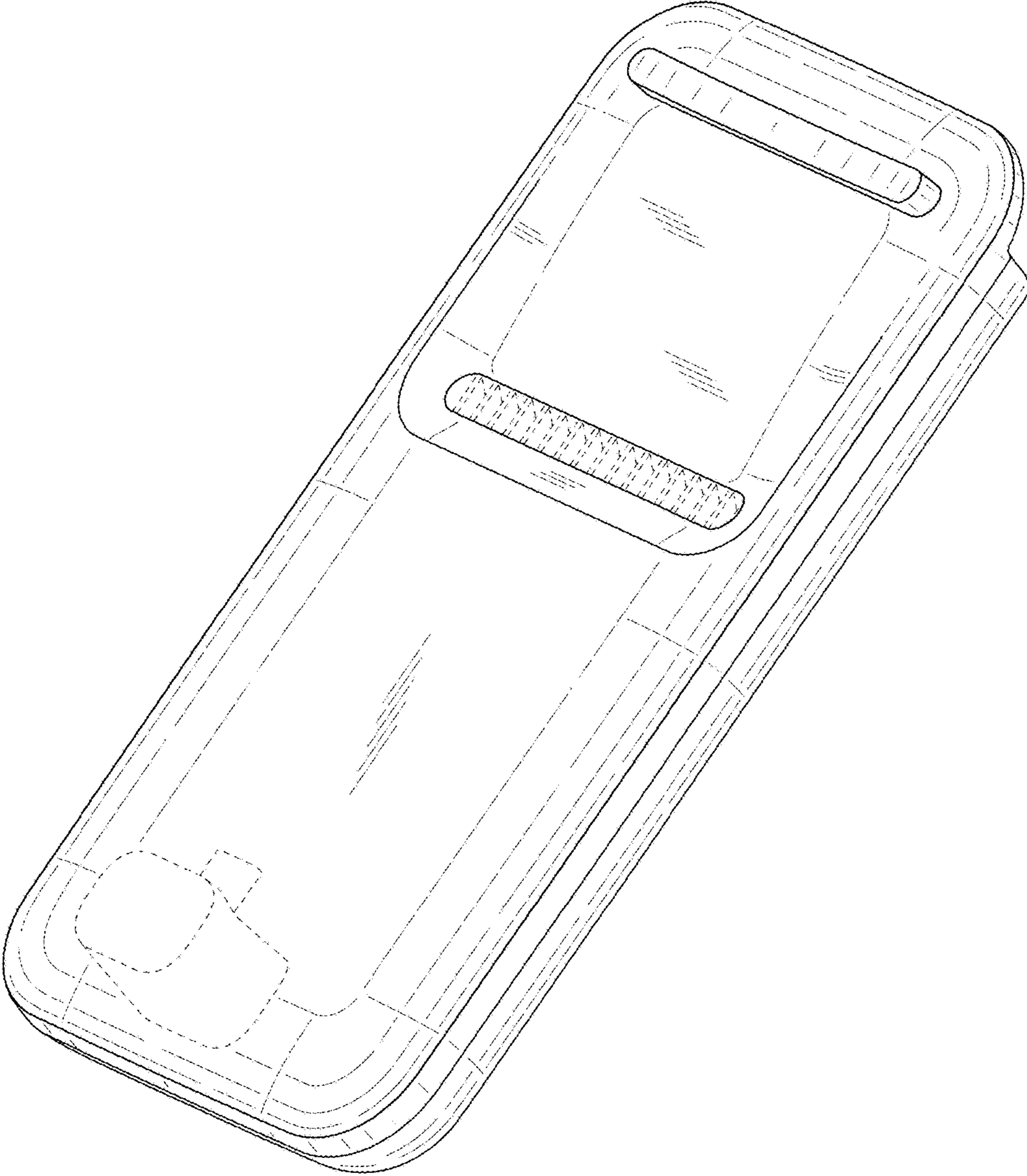


FIG.2

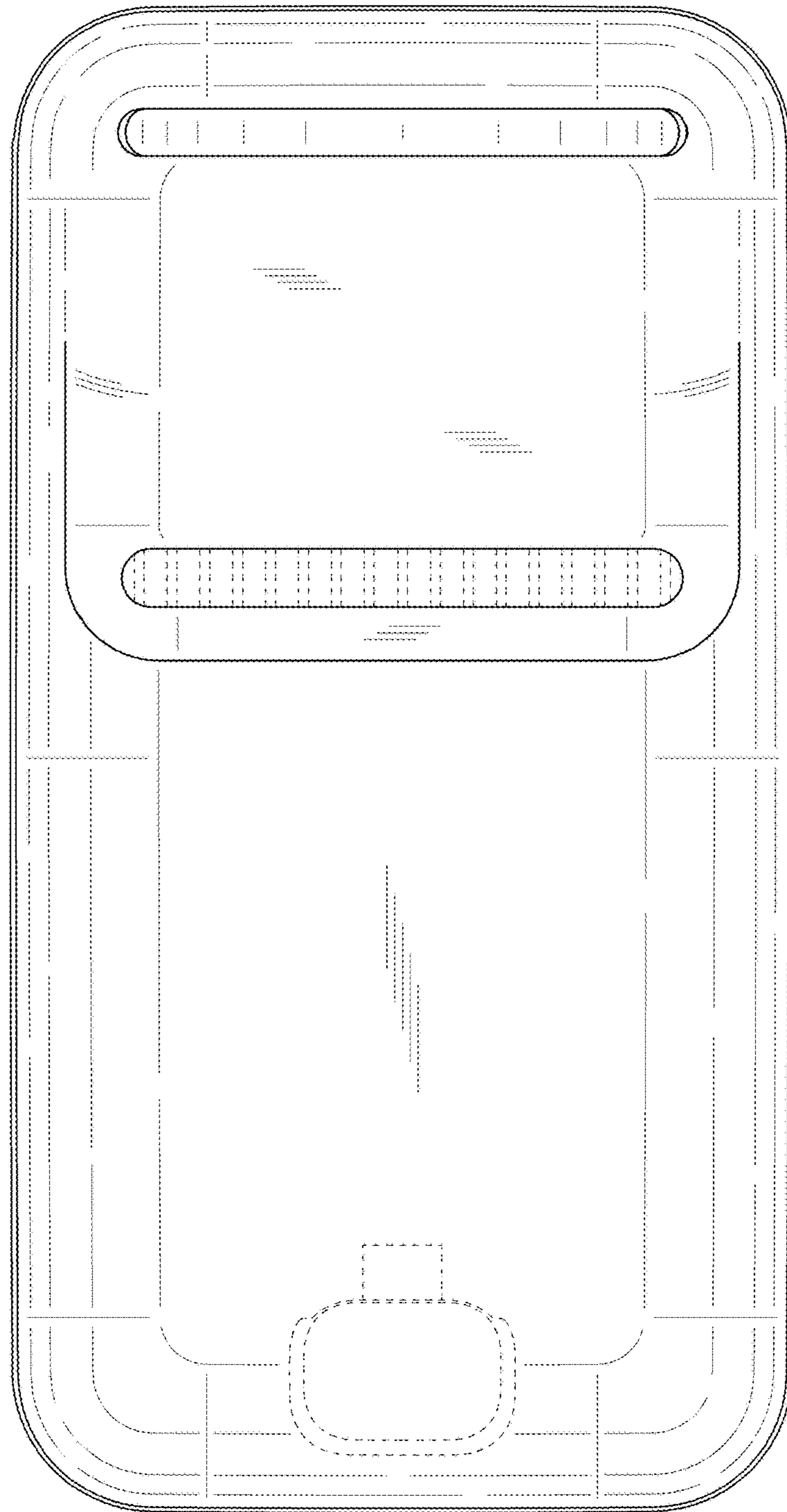


FIG.3

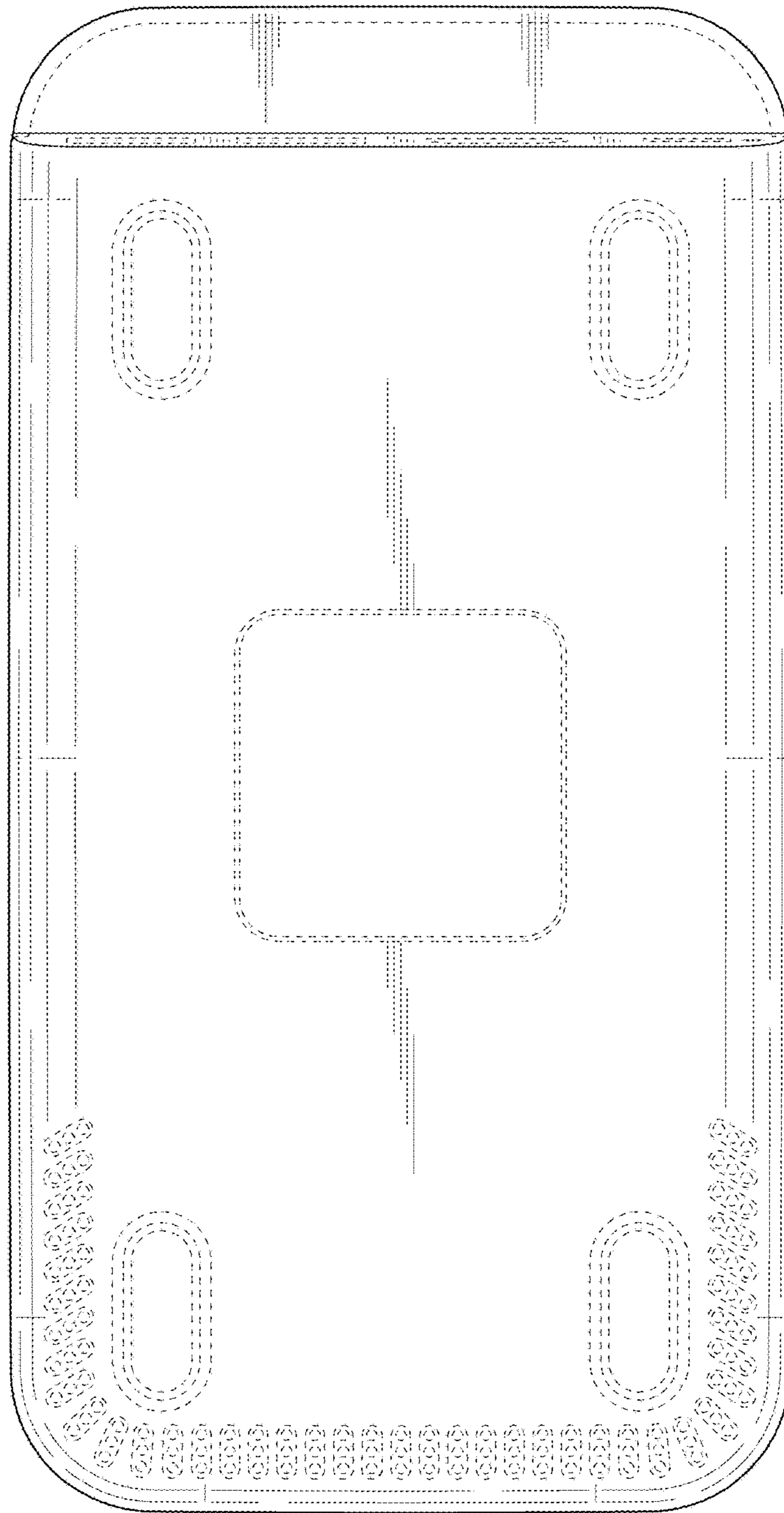


FIG.4

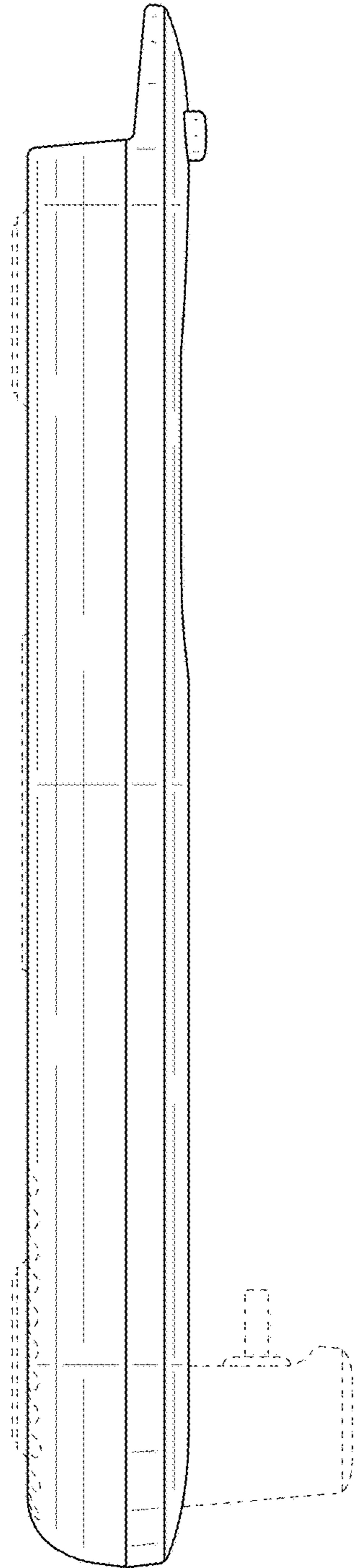


FIG.5

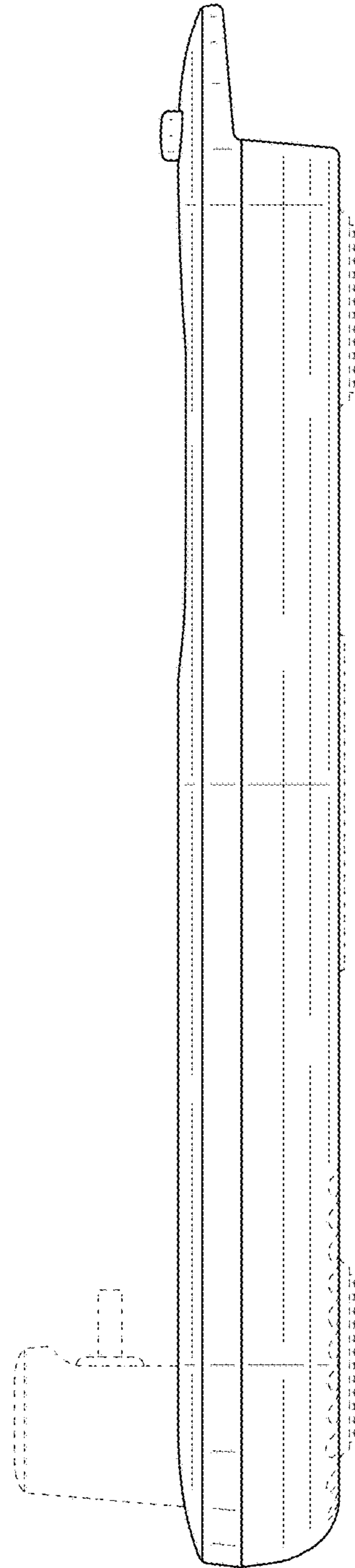


FIG.6

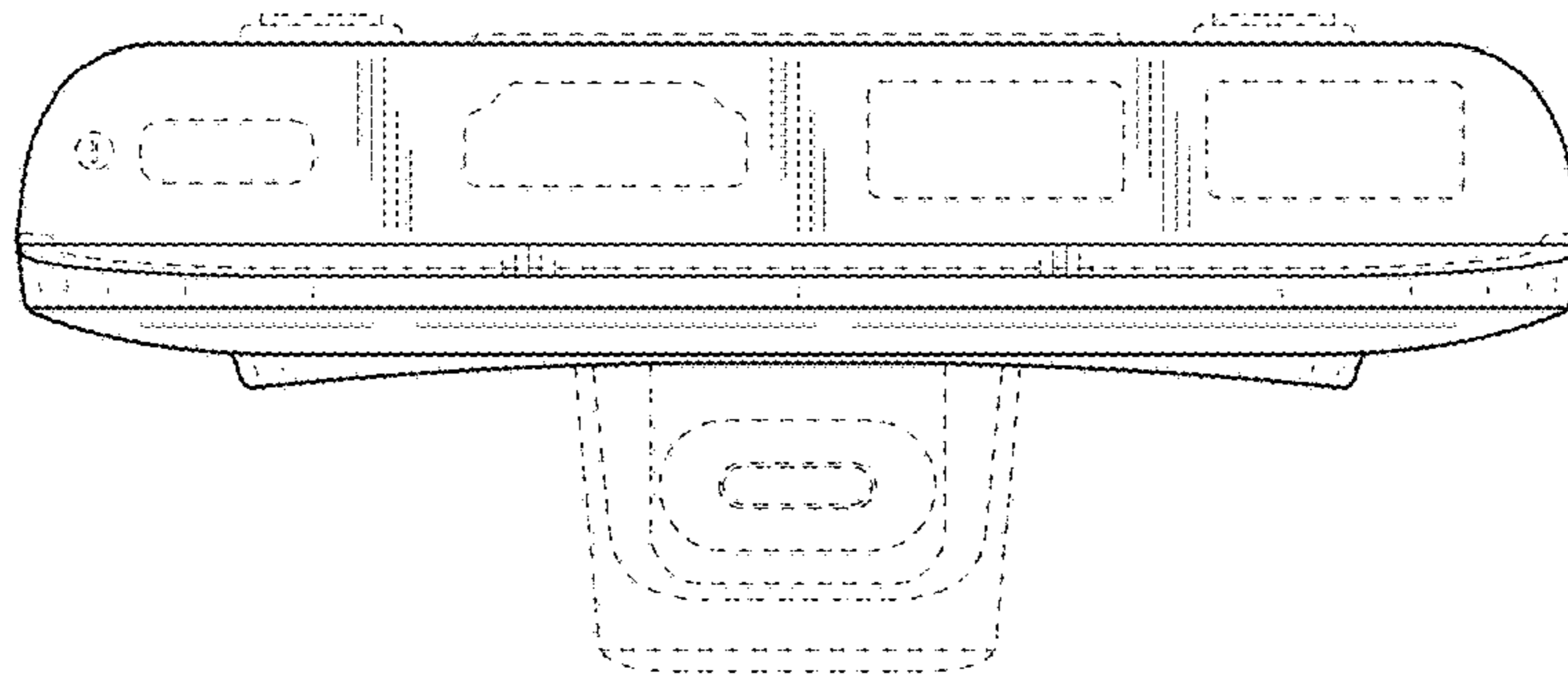


FIG.7

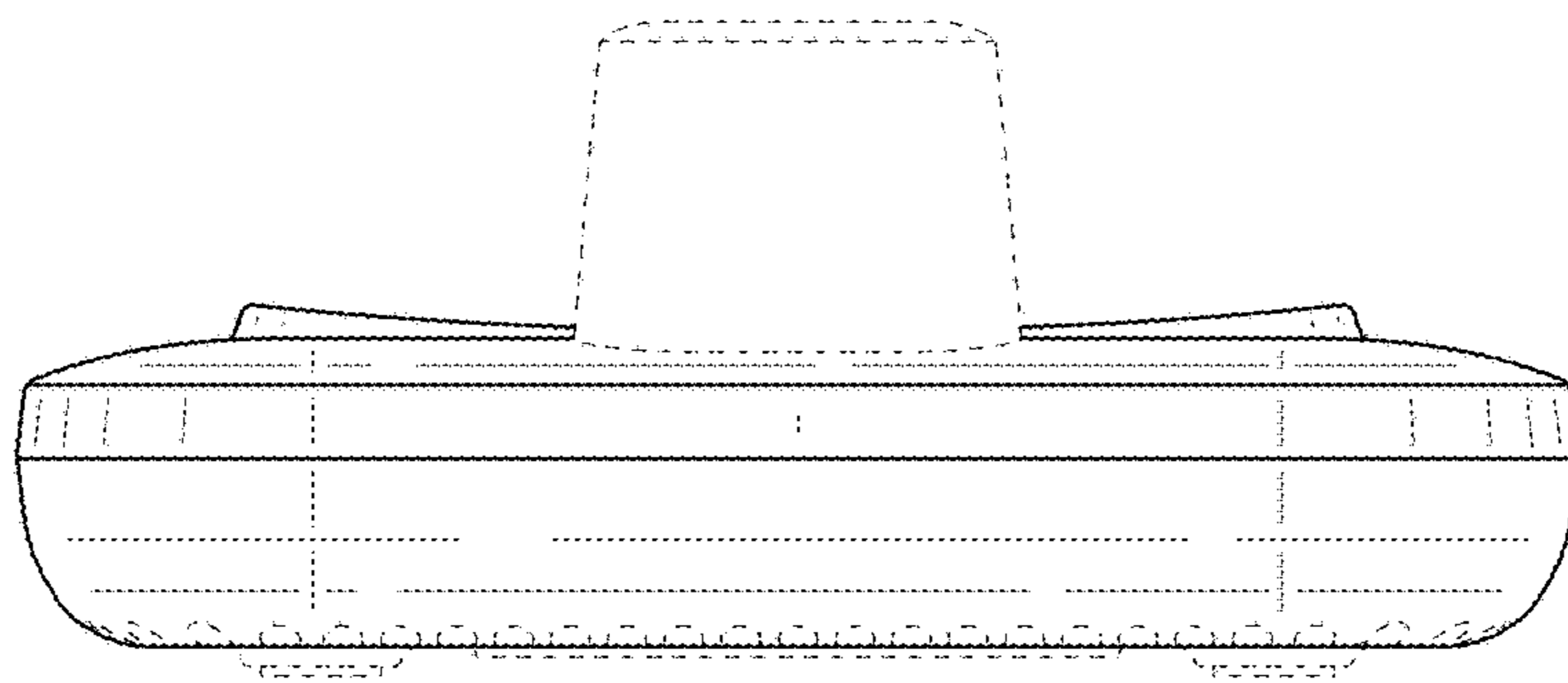


FIG.8

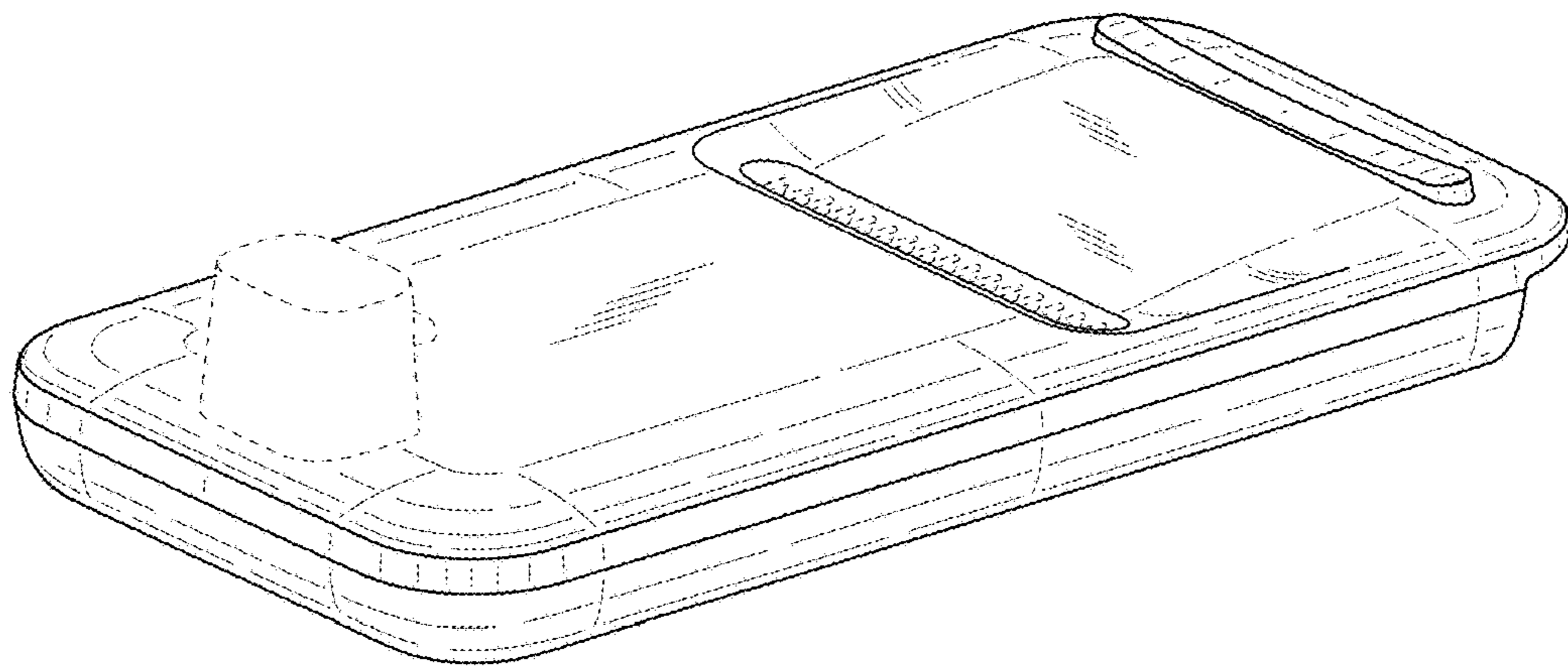




FIG.9

