



US00D845952S

(12) **United States Design Patent**
Egami

(10) **Patent No.:** **US D845,952 S**
(45) **Date of Patent:** **** Apr. 16, 2019**

(54) **SCANNER**

(71) Applicant: **BROTHER INDUSTRIES, LTD.**,
Nagoya-shi, Aichi-ken (JP)

(72) Inventor: **Keiichiro Egami**, Kuwana (JP)

(73) Assignee: **BROTHER INDUSTRIES, LTD.**,
Nagoya (JP)

(**) Term: **15 Years**

(21) Appl. No.: **29/640,098**

(22) Filed: **Mar. 12, 2018**

(30) **Foreign Application Priority Data**

Oct. 31, 2017 (JP) 2017-024248

(51) **LOC (11) Cl.** **14-02**

(52) **U.S. Cl.**
USPC **D14/422**

(58) **Field of Classification Search**

USPC D14/421-425; D18/40, 36-39, 41,
D18/44-56; 235/462, 455, 470, 462.43,
235/482, 483; 358/474, 486, 488, 496,
358/498, 452, 449, 451, 453.1, 1.13;
318/685, 696; 355/81, 75; 399/405, 367,
399/379, 380; 382/217; 715/209, 222,
715/226, 274; 400/613, 613.1-613.4,
400/690.1-690.4, 691-694; 271/109,
271/162, 3.14, 145, 275

CPC H04N 1/00; H04N 1/12; H04N 1/00013;
H04N 1/00018; H04N 1/00026; H04N
1/00557; H04N 1/00564; H04N 1/00567;
H04N 1/0057; H04N 1/00572; H04N
1/00586; H04N 1/00588; H04N 1/00591;
H04N 1/00594; H04N 1/00596; H04N
1/00604; H04N 1/00519; H04N 1/00559;
H04N 1/1013; H04N 1/10; H04N
1/00551; H04N 1/00278; H04N
2201/0456; H04N 2201/0446; H04N
2201/00; H04N 2201/0094; H04N

1/00525; G03G 15/0142; G03G 15/605;
G03G 15/602; B65H 5/068; B65H 5/14;
B65H 5/16; B65H 5/26; B65H 5/30;
B65H 7/00; B65H 2402/515; B65H
2402/31; B65H 2402/40; B65H 2402/44;
B65H 2402/441; B65H 2402/442; B65H
2402/46; B65H 2402/343; B65H 2511/20;
B65H 2511/22; B65H 2511/12; B65H
2511/414; B65H 2511/00194; B65H
2511/00198; B65H 2511/00202; B65H
2511/00206; B65H 2511/21; B65H
2301/00; B65H 2301/4212; B65H
(Continued)

(56) **References Cited**

U.S. PATENT DOCUMENTS

D231,539 S * 4/1974 MacConkey et al. D14/462
D293,578 S * 1/1988 Matsumoto D18/55

(Continued)

Primary Examiner — Susan Moon Lee

(74) *Attorney, Agent, or Firm* — Oliff PLC

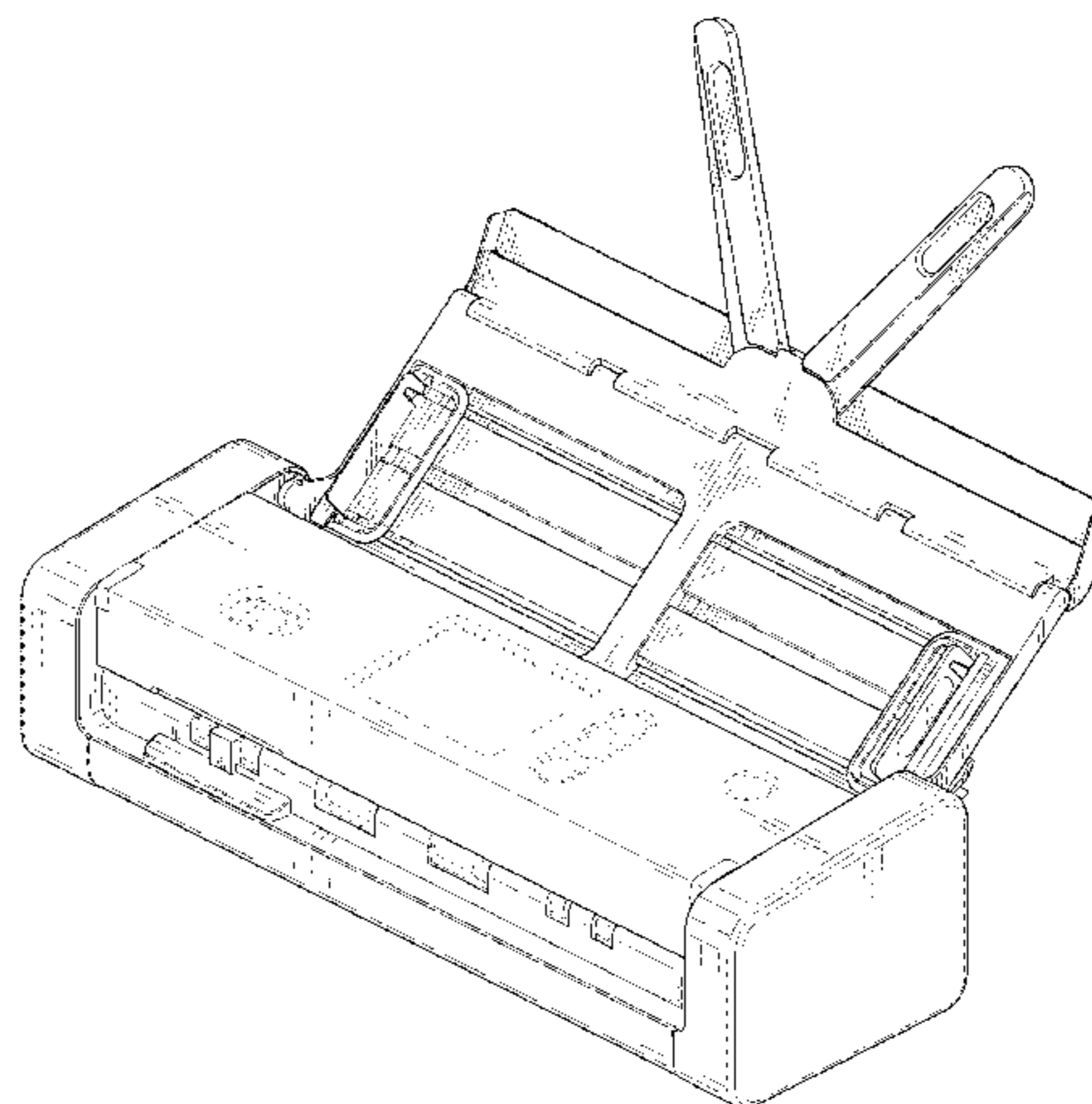
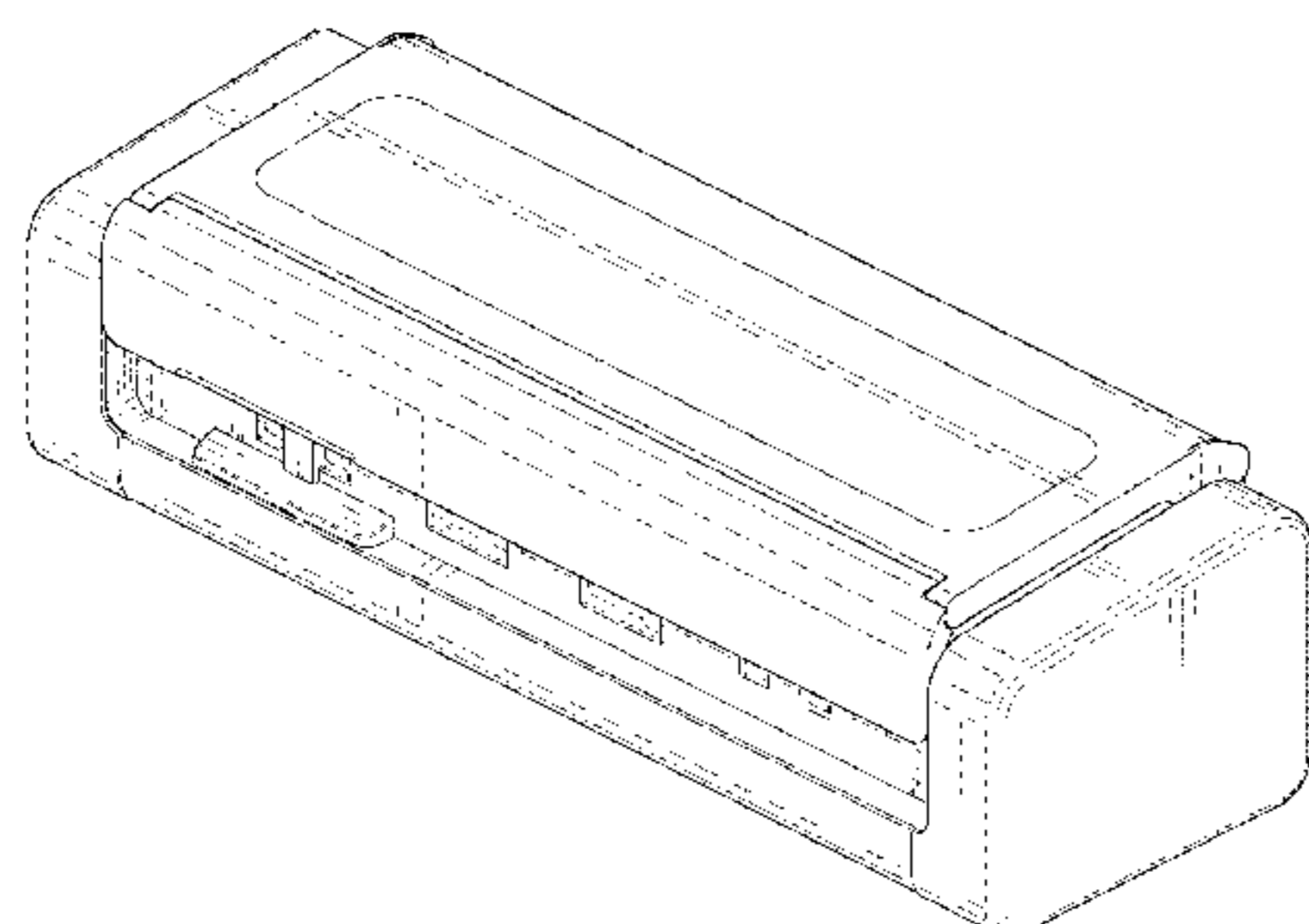
(57) **CLAIM**

The ornamental design for a scanner, as shown and described.

DESCRIPTION

FIG. 1 is a perspective view of a scanner;
FIG. 2 is a front view thereof;
FIG. 3 is a top view thereof;
FIG. 4 is a left-side view thereof;
FIG. 5 is a right-side view thereof;
FIG. 6 is a rear view thereof;
FIG. 7 is a bottom view thereof; and,
FIG. 8 is perspective view thereof with a cover and a paper guide in an opened position.
The evenly spaced broken lines depict environmental subject matter only and form no part of the claimed design.

1 Claim, 7 Drawing Sheets



(58) **Field of Classification Search**

CPC ... 2301/51214; B65H 2220/04; B65H 3/5261;
 B65H 2513/42; B65H 1/02; B65H 1/027;
 B65H 1/022; B65H 3/06; B65H 3/063;
 B65H 3/0638; B65H 3/0653; B65H
 3/0676; B65H 3/0684; B65H 3/523;
 B65H 2405/21; B65H 2405/2111; B65H
 2405/30; B65H 2405/324; B65H
 2405/1114; B65H 2405/11164; B65H
 2515/81; B65H 29/14; B65H 29/70;
 B65H 31/02; B65H 31/22

See application file for complete search history.

(56) **References Cited**

U.S. PATENT DOCUMENTS

D304,598 S * 11/1989 Jokl D18/55
 4,904,100 A * 2/1990 Enix B41J 3/36
 242/538.3
 D321,898 S * 11/1991 Kasee D18/55
 5,236,265 A * 8/1993 Saito B41J 3/36
 312/208.1
 D339,576 S * 9/1993 Sawada D14/462
 D340,232 S * 10/1993 Yoshida D14/422
 D345,353 S * 3/1994 Dietrich D14/462
 D352,731 S * 11/1994 Sugimoto D18/50
 D382,256 S * 8/1997 Lin D14/422
 D428,623 S * 7/2000 Igarashi D18/54
 D440,246 S * 4/2001 Yin D18/50
 D441,012 S * 4/2001 Kawahara D18/55
 D441,783 S * 5/2001 Kawahara D18/55
 6,382,858 B1 * 5/2002 Nojima B41J 13/00
 347/108
 D466,921 S * 12/2002 Senshiki D18/54
 D482,387 S * 11/2003 Tatara D18/55
 6,687,391 B1 * 2/2004 Scott G06K 9/00026
 382/126
 6,899,422 B2 * 5/2005 Strowe B41J 29/13
 347/108
 D514,161 S * 1/2006 Wong D18/55
 D516,620 S * 3/2006 Wong D18/55
 D517,119 S * 3/2006 Suzuki D18/50
 D518,093 S * 3/2006 de Salis D18/55
 7,029,113 B2 * 4/2006 Hwang B41J 29/13
 347/108
 D525,295 S * 7/2006 Suzuki D18/55
 D528,156 S * 9/2006 King D18/55
 D529,952 S * 10/2006 King D18/55
 D544,907 S * 6/2007 Tjin Wong Joe D18/55
 D563,413 S * 3/2008 Kuroda D14/422
 D624,544 S * 9/2010 Kuroda D14/422
 D624,545 S * 9/2010 Kuroda D14/422
 D624,546 S * 9/2010 Kuroda D14/422
 D624,547 S * 9/2010 Kuroda D14/422
 D631,479 S * 1/2011 Komuro D14/422
 D636,776 S * 4/2011 Kuroda D14/422
 D648,378 S * 11/2011 Ishikawa D18/50
 D682,329 S * 5/2013 Day D15/146

D682,834 S * 5/2013 Ishikawa D14/422
 D689,865 S * 9/2013 Kitamura D14/422
 D689,868 S * 9/2013 Ishikawa D14/422
 8,587,845 B2 * 11/2013 Yonemura H04N 1/00535
 358/473
 D696,339 S * 12/2013 Hasui D18/34.3
 D699,726 S * 2/2014 Seki D14/422
 D706,269 S * 6/2014 Qian D14/422
 D709,071 S * 7/2014 Kato D14/422
 D714,290 S * 9/2014 Tanaka D14/422
 D714,291 S * 9/2014 Tanaka D14/422
 D716,305 S * 10/2014 Tani D14/422
 D736,773 S * 8/2015 Okamoto D14/422
 D780,181 S * 2/2017 Peng D14/422
 D807,887 S * 1/2018 Hama D14/422
 D831,654 S * 10/2018 Chiu D14/422
 2005/0094227 A1 * 5/2005 Hwang H04N 1/00525
 358/498
 2005/0150400 A1 * 7/2005 Lin B41J 29/13
 101/35
 2010/0321745 A1 * 12/2010 Van Os H04N 1/0049
 358/498
 2012/0081764 A1 * 4/2012 Ho H04N 1/00525
 358/498
 2014/0071503 A1 * 3/2014 Mukai H04N 1/00604
 358/498
 2014/0092454 A1 * 4/2014 Nakayama H04N 1/00602
 358/498
 2014/0092456 A1 * 4/2014 Ukai H04N 1/00588
 358/498
 2014/0103598 A1 * 4/2014 Kuriki B65H 1/06
 271/3.19
 2014/0118803 A1 * 5/2014 Lee H04N 1/1215
 358/498
 2014/0118804 A1 * 5/2014 Tomono H04N 1/00811
 358/498
 2014/0291913 A1 * 10/2014 Tamura B65H 1/266
 271/9.03
 2014/0293374 A1 * 10/2014 Nakayama H04N 1/00588
 358/498
 2014/0293375 A1 * 10/2014 Mukai H04N 1/00615
 358/498
 2014/0293377 A1 * 10/2014 Minoshima H04N 1/12
 358/498
 2014/0300939 A1 * 10/2014 Suzuki H04N 1/00588
 358/498
 2015/0062667 A1 * 3/2015 Kuriki H04N 1/0057
 358/474
 2015/0062672 A1 * 3/2015 Kuriki H04N 1/12
 358/498
 2015/0097329 A1 * 4/2015 Ukai B65H 1/04
 271/9.07
 2015/0274451 A1 * 10/2015 Ukai B65H 1/02
 271/9.08
 2015/0365549 A1 * 12/2015 Lin H04N 1/00525
 358/498
 2016/0323465 A1 * 11/2016 Lin H04N 1/00602
 2017/0054864 A1 * 2/2017 Nagai H04N 1/00795

* cited by examiner

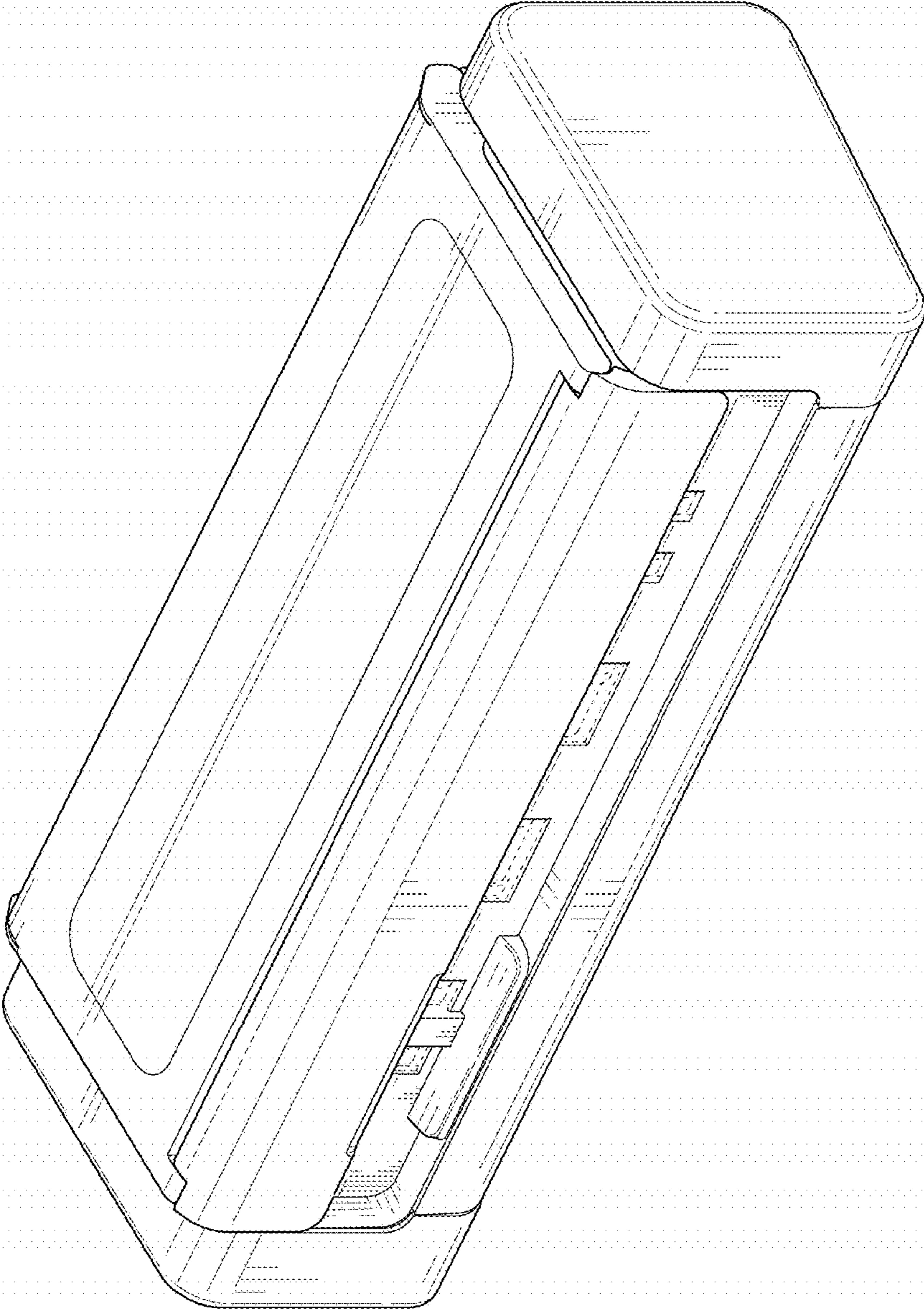


FIG. 1

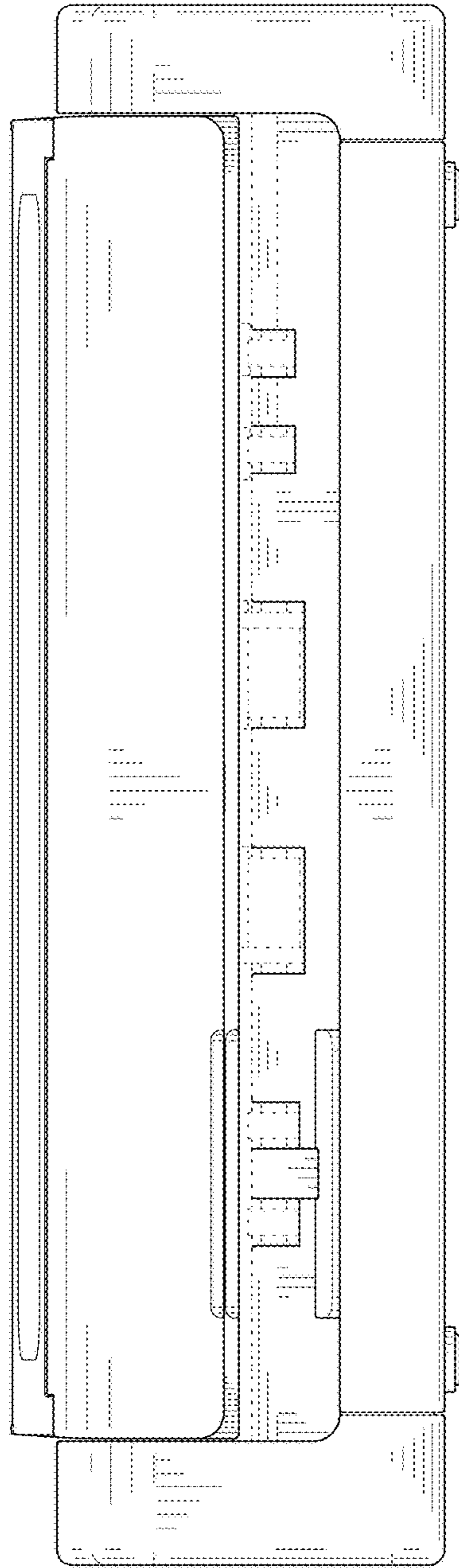


FIG. 2

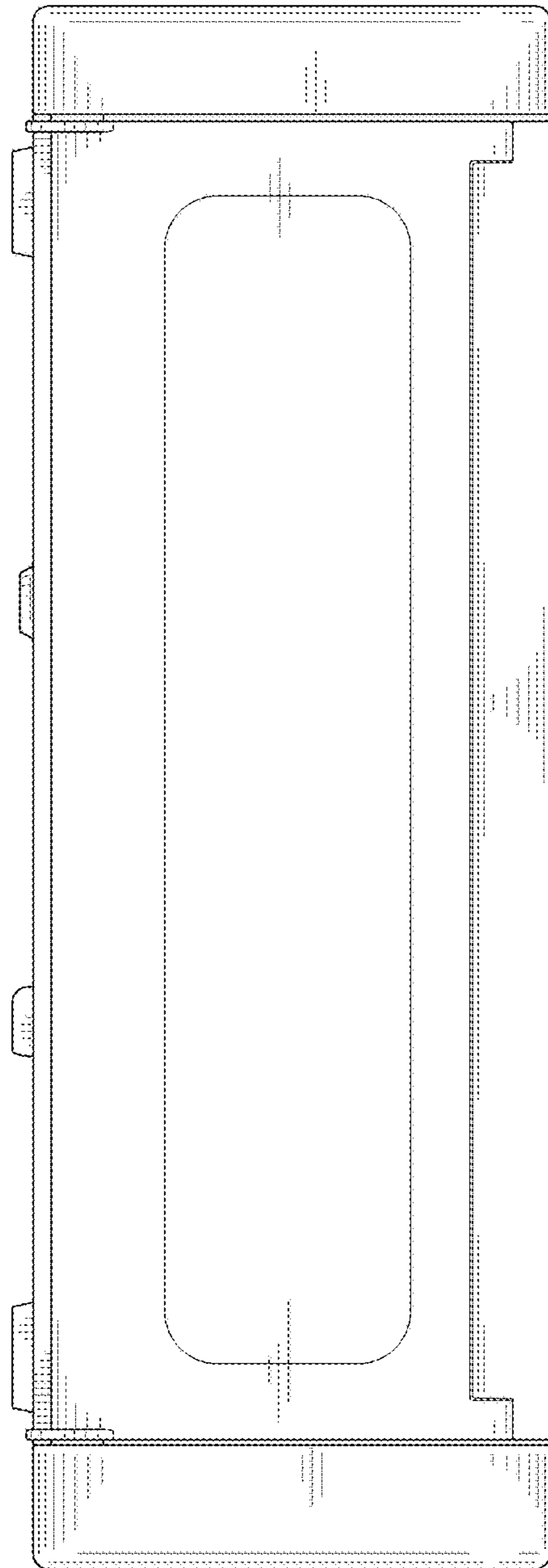


FIG. 3

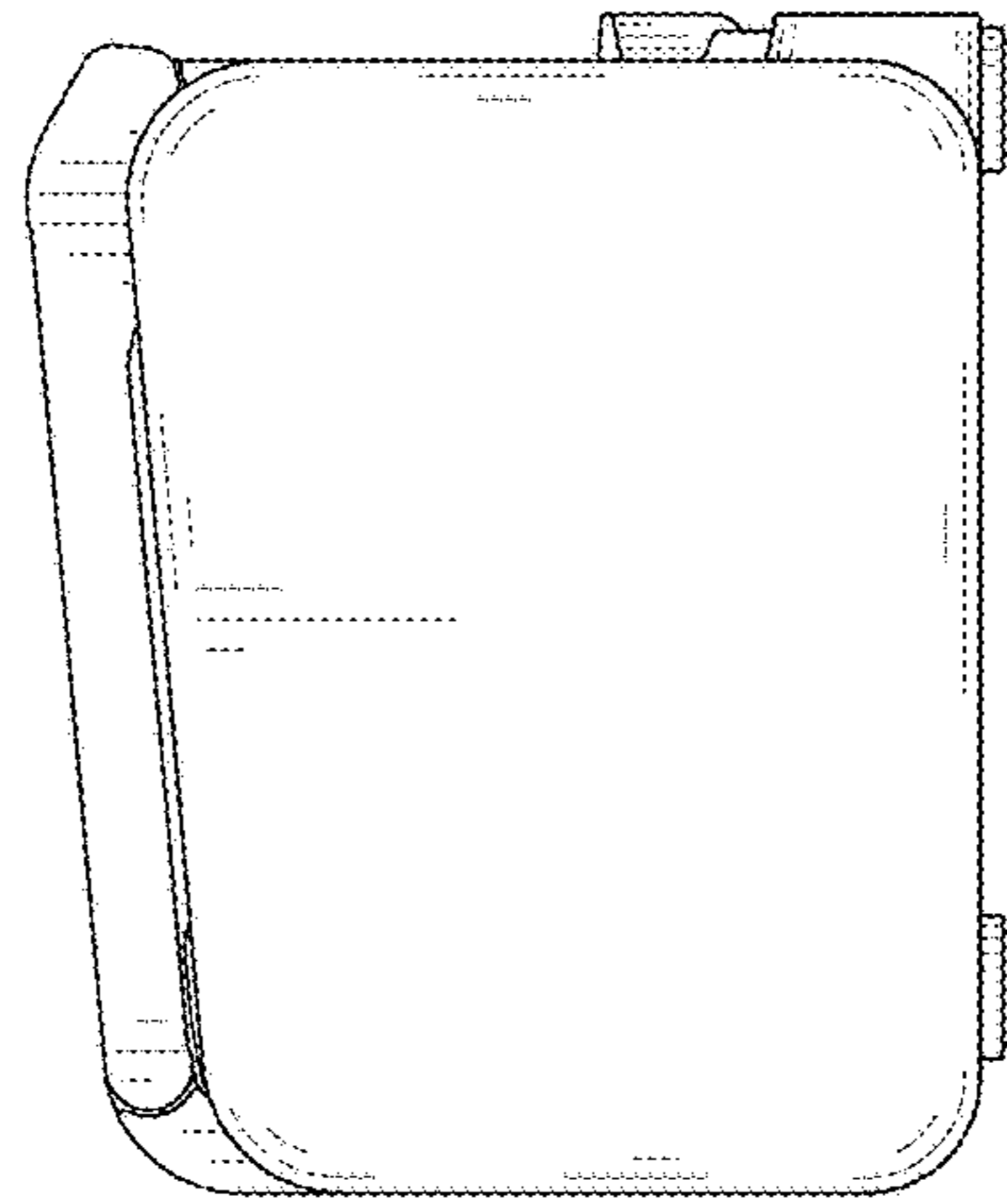


FIG. 5

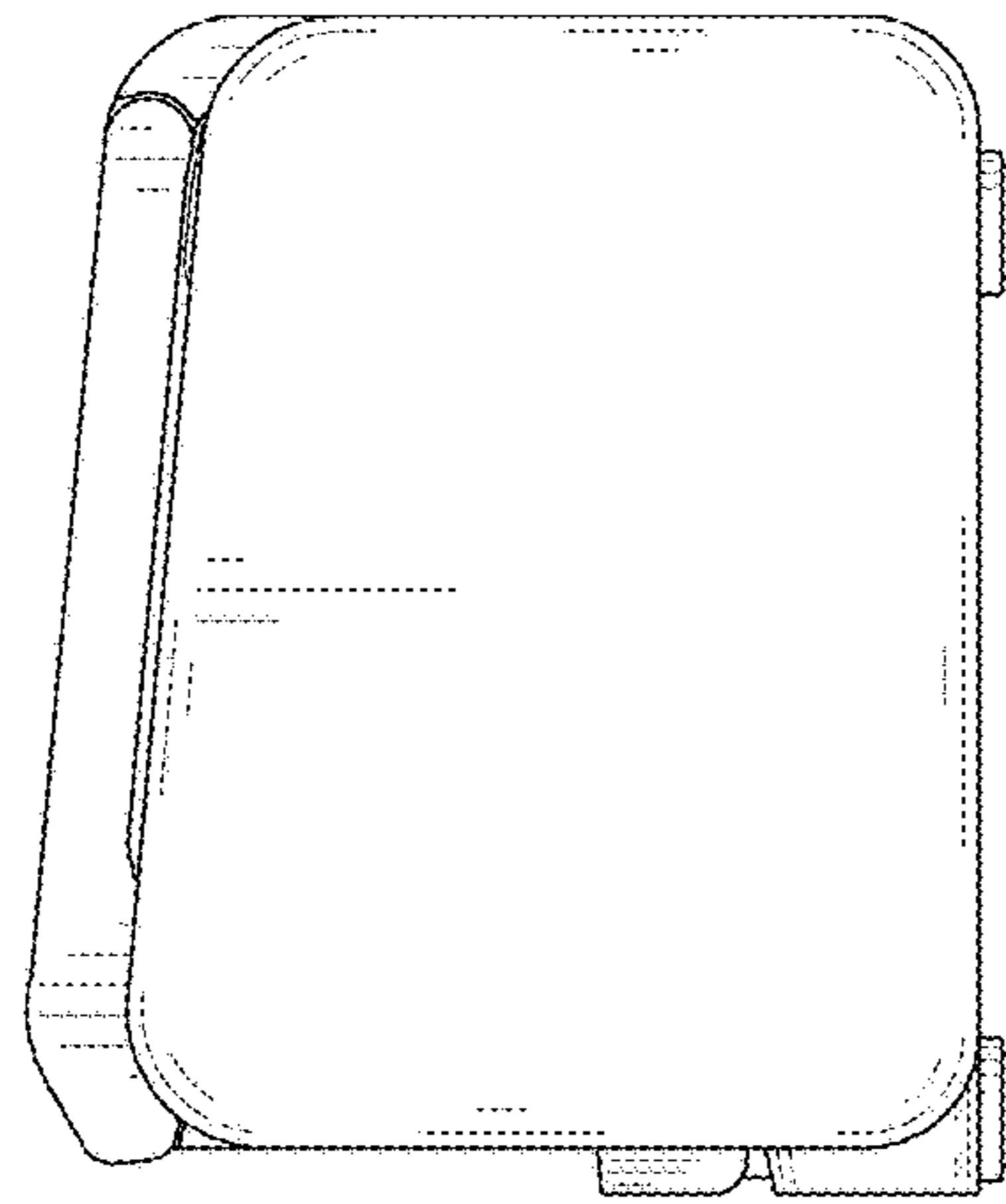


FIG. 4

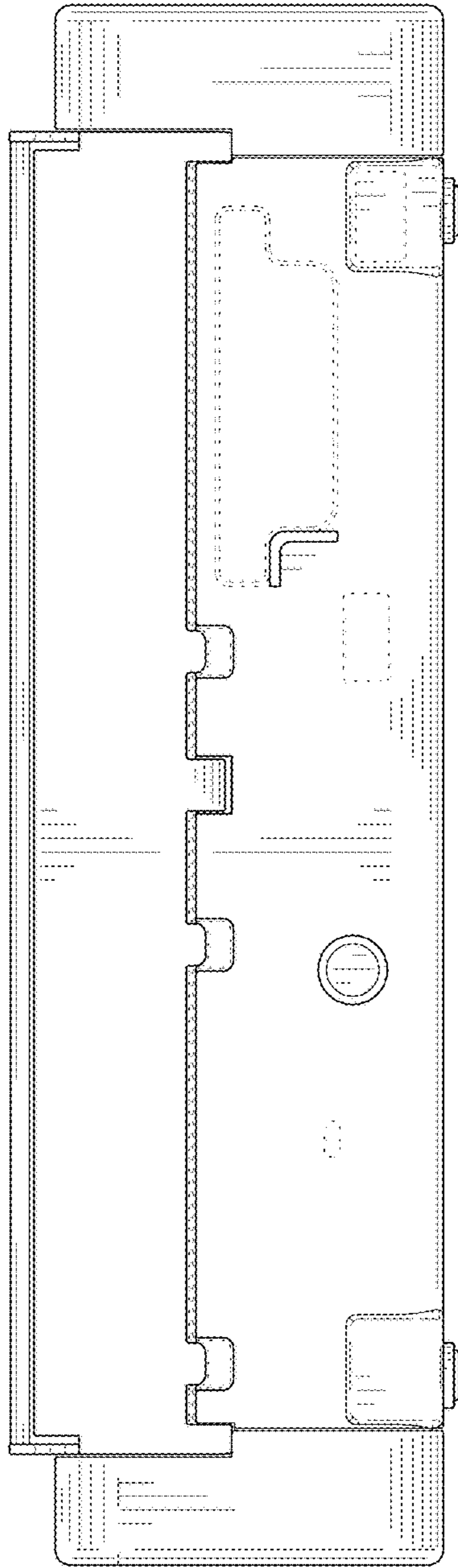


FIG. 6

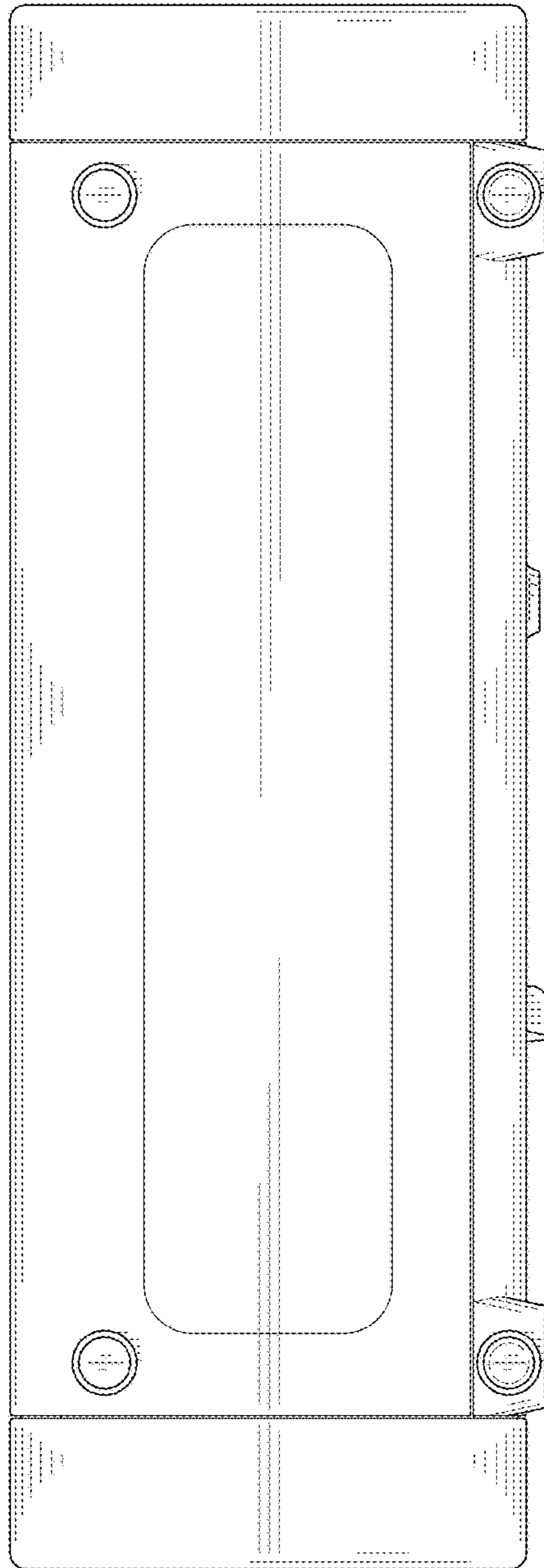


FIG. 7

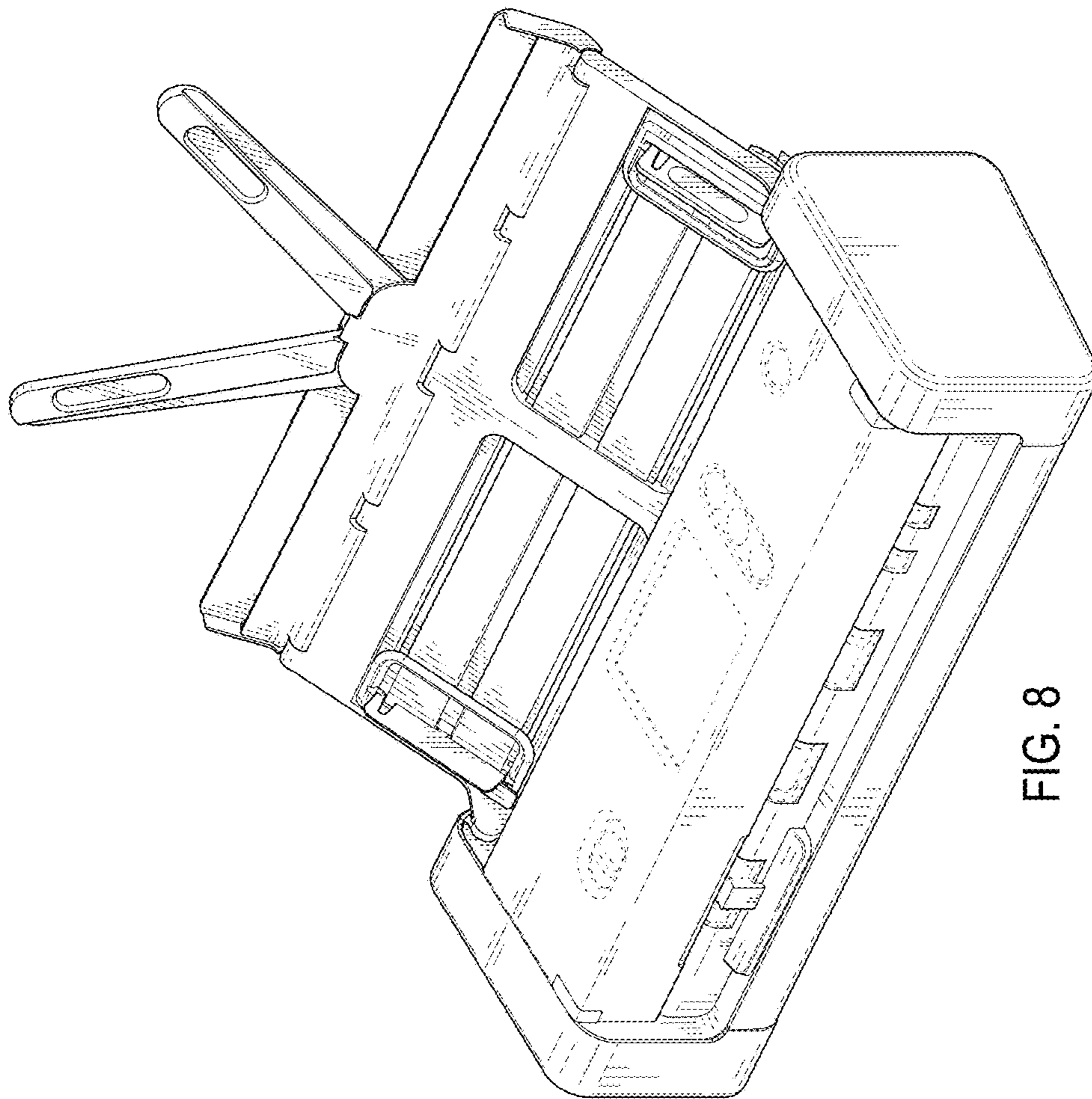


FIG. 8