



US00D845951S

(12) **United States Design Patent**
Shigeno et al.

(10) **Patent No.:** **US D845,951 S**
(45) **Date of Patent:** **** Apr. 16, 2019**

(54) **SCANNER**

(71) Applicant: **CANON DENSHI KABUSHIKI KAISHA**, Saitama (JP)

(72) Inventors: **Takashi Shigeno**, Kawasaki (JP);
Manabu Ikarashi, Tokyo (JP);
Shinobu Kato, Yokohama (JP);
Takashi Machida, Tokyo (JP); **Tatsuya Nishi**, Funabashi (JP)

(73) Assignee: **Canon Denshi Kabushiki Kaisha**, Chichibu-shi (JP)

(**) Term: **15 Years**

(21) Appl. No.: **29/622,921**

(22) Filed: **Oct. 20, 2017**

(30) **Foreign Application Priority Data**

Apr. 21, 2017 (JP) 2017-008627

(51) **LOC (11) Cl.** **14-02**

(52) **U.S. Cl.**
USPC **D14/422**

(58) **Field of Classification Search**
USPC D14/421-425; D18/40, 36-39, 41, D18/44-56; 235/462, 455, 470, 462.43, 235/482, 483; 358/474, 486, 488, 496, 358/498, 452, 449, 451, 453.1, 1.13; 318/685, 696; 355/81, 75; 399/405, 367, 399/379, 380; 382/217; 715/209, 222, 715/226, 274; 400/613, 613.1-613.4, 400/690.1-690.4, 691-694
CPC H04N 1/00; H04N 1/12; H04N 1/00013; H04N 1/00015; H04N 1/00018; H04N 1/00026; H04N 1/00557; H04N 1/00564; H04N 1/00567; H04N 1/0057; H04N 1/00572; H04N 1/00586; H04N 1/00588; H04N 1/00591; H04N 1/00594; H04N 1/00596; H04N 1/00604; H04N 1/00519; H04N 1/00559; H04N 1/1013; H04N

1/10; H04N 1/00551; H04N 1/00278; H04N 2201/0456; H04N 2201/0446; H04N 2201/00; H04N 2201/0094; H04N 1/00525; G03G 15/0142; G03G 15/605; G03G 15/602; B65H 5/26; B65H 5/30; B65H 7/00; B65H 2402/515; B65H 2402/31; B65H 2511/20; B65H 2511/414; B65H 2511/00194; B65H 2511/00198; B65H 2511/00202; B65H 2511/00206; B65H

(Continued)

(56) **References Cited**

U.S. PATENT DOCUMENTS

D258,959 S * 4/1981 Clayton D18/54
5,017,033 A * 5/1991 Hermann B41J 11/54
400/691

(Continued)

Primary Examiner — Susan Moon Lee

(74) *Attorney, Agent, or Firm* — Venable LLP

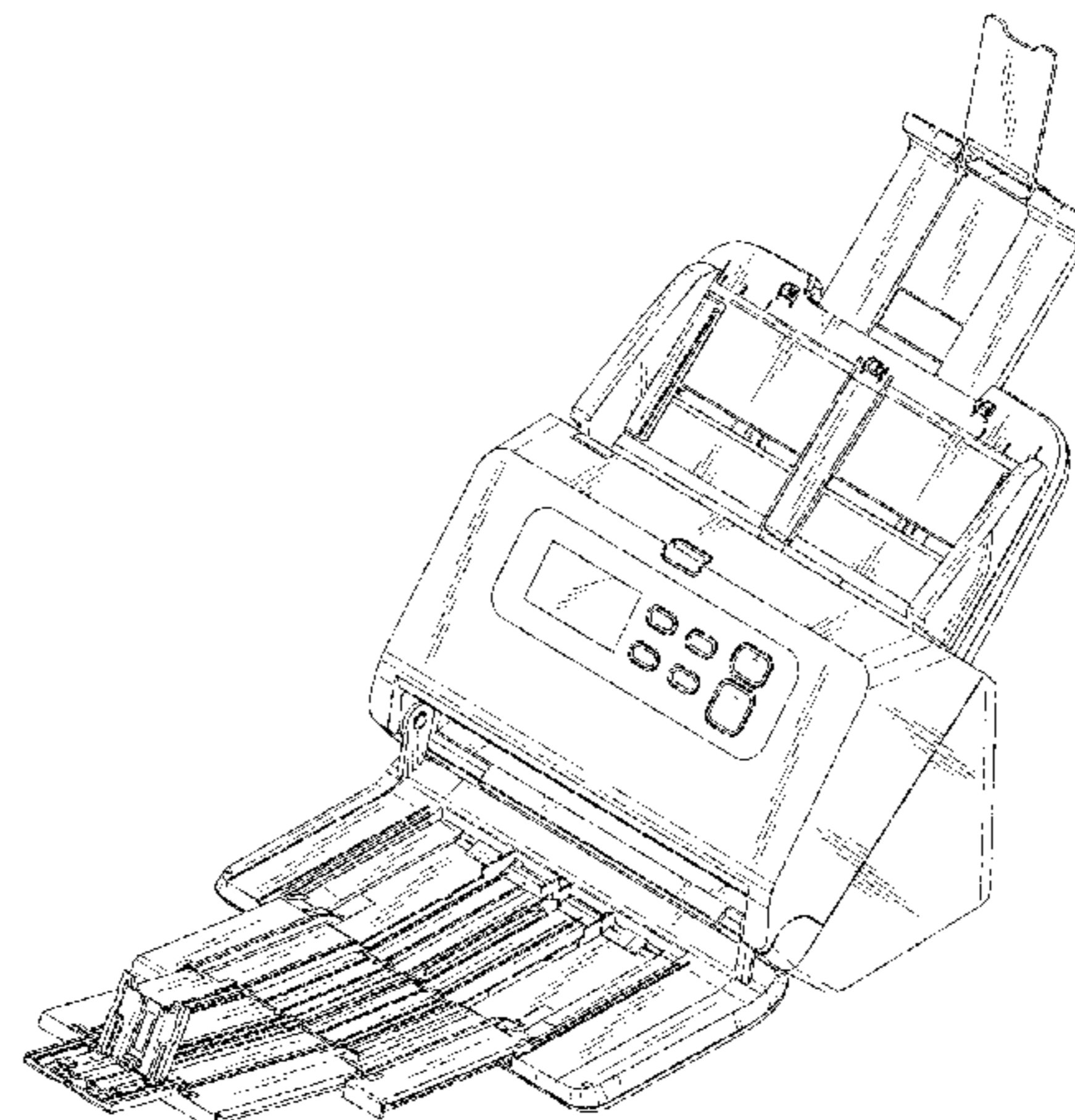
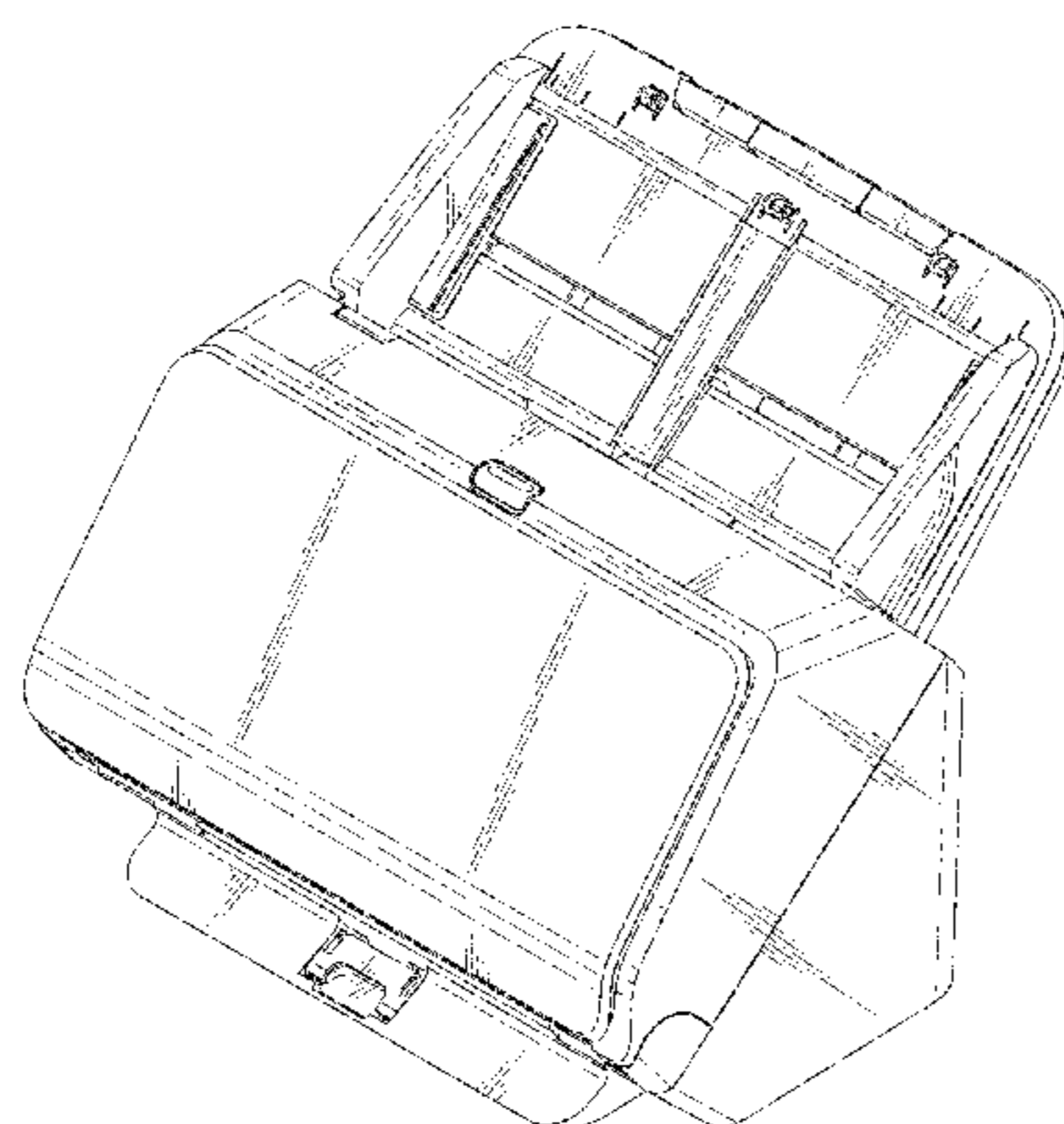
(57) **CLAIM**

The ornamental design for a scanner, as shown and described.

DESCRIPTION

FIG. 1 is a perspective view of the scanner showing the new design;
FIG. 2 is a front view thereof;
FIG. 3 is a rear view thereof;
FIG. 4 is a plan view thereof;
FIG. 5 is a bottom view thereof;
FIG. 6 is a left side view thereof;
FIG. 7 is a right side view thereof;
FIG. 8 is a perspective view thereof with the catching tray in an open state; and,
FIG. 9 is a perspective view thereof with each tray in an open state.

1 Claim, 9 Drawing Sheets



(58) **Field of Classification Search**
 CPC 2301/00; B65H 2220/04; B65H 3/5261;
 B65H 2513/42
 See application file for complete search history.

(56) **References Cited**

U.S. PATENT DOCUMENTS

5,187,374 A * 2/1993 Rogers B41J 13/32
 250/205
 D370,471 S * 6/1996 Au D14/422
 6,040,919 A * 3/2000 Iwata H04N 1/00525
 358/400
 D422,570 S * 4/2000 Kobayashi D14/509
 D475,052 S * 5/2003 Chujou D14/422
 D478,594 S * 8/2003 Ichiyoshi et al.
 D479,555 S * 9/2003 Sakai D18/50
 D518,826 S * 4/2006 Chujou D14/422
 D549,705 S * 8/2007 Sugitani D14/422
 D609,711 S * 2/2010 Kuroda D14/422
 D610,146 S * 2/2010 Kuroda D14/422
 D610,147 S * 2/2010 Kuroda D14/422
 D610,148 S * 2/2010 Kuroda D14/422
 D610,149 S * 2/2010 Kuroda D14/422
 D610,150 S * 2/2010 Kuroda D14/422
 D610,151 S * 2/2010 Kuroda D14/422
 D610,153 S * 2/2010 Kuroda D14/422
 D610,154 S * 2/2010 Kuroda D14/422
 D610,155 S * 2/2010 Kuroda D14/422
 D616,889 S * 6/2010 Kuroda D14/422
 D619,588 S * 7/2010 Kuroda D14/422
 D619,589 S * 7/2010 Kuroda D14/422
 D631,050 S * 1/2011 Iliffe-Moon D14/422
 D632,295 S * 2/2011 Kuroda D14/422
 D638,545 S * 5/2011 Okawa D24/186
 D642,179 S * 7/2011 Kuroda D14/422
 D669,080 S * 10/2012 Iwai D14/422
 D669,081 S * 10/2012 Iwai D14/422
 D669,526 S * 10/2012 Sakurai D18/50
 D687,436 S * 8/2013 Penke D14/422
 D689,865 S * 9/2013 Kitamura et al.
 D689,866 S * 9/2013 Anzai et al.
 D696,339 S * 12/2013 Hasui D18/34.3
 D700,908 S * 3/2014 Taniho D14/422
 8,699,097 B2 * 4/2014 Kozakura H04N 1/00347
 358/474
 D709,071 S * 7/2014 Kato et al.
 D713,845 S * 9/2014 Taniho D14/422
 D716,305 S * 10/2014 Tani D14/422
 D719,168 S * 12/2014 Tani D14/422
 D723,562 S * 3/2015 Inada D14/422
 D758,369 S * 6/2016 Kuroda D14/422
 D766,246 S * 9/2016 Inada D14/422
 D776,118 S * 1/2017 Ishida D14/422
 D783,023 S * 4/2017 Kuroda D14/422

D788,110 S * 5/2017 Kuroda D14/422
 D794,640 S * 8/2017 Shigeno et al.
 D797,744 S * 9/2017 Tan D14/422
 D813,871 S * 3/2018 Egami D14/422
 2001/0015829 A1 * 8/2001 Veigl H04N 1/00538
 358/474
 2007/0188818 A1 * 8/2007 Westcott H04N 1/00525
 358/296
 2007/0217799 A1 * 9/2007 Otsubo G03G 21/20
 399/44
 2008/0001343 A1 * 1/2008 Kato H04N 1/00525
 271/3.14
 2008/0252922 A1 * 10/2008 Ikegami H04L 63/083
 358/1.15
 2009/0230611 A1 * 9/2009 Ngai H04N 1/00525
 271/145
 2010/0053701 A1 * 3/2010 Yoshida H04N 1/00525
 358/474
 2010/0060948 A1 * 3/2010 Yoshida H04N 1/00519
 358/474
 2010/0208977 A1 * 8/2010 Imae G06K 9/18
 382/140
 2012/0248687 A1 * 10/2012 Takahata B65H 3/063
 271/253
 2013/0056924 A1 * 3/2013 Mizuno B65H 1/00
 271/162
 2013/0057932 A1 * 3/2013 Mukai H04N 1/00533
 358/498
 2013/0134667 A1 * 5/2013 Nakayama B65H 5/06
 271/275
 2013/0135697 A1 * 5/2013 Ukai B65H 3/5238
 358/498
 2013/0163056 A1 * 6/2013 Hanayama H04N 1/00013
 358/474
 2013/0222867 A1 * 8/2013 Tomita H04N 1/00013
 358/498
 2014/0054849 A1 * 2/2014 Morikawa B65H 7/125
 271/264
 2014/0054850 A1 * 2/2014 Umi B65H 5/00
 271/264
 2014/0061998 A1 * 3/2014 Kasashima B65H 5/06
 271/10.11
 2014/0063573 A1 * 3/2014 Yonemura H04N 1/00602
 358/498
 2014/0077440 A1 * 3/2014 Umi B65H 3/0661
 271/109
 2017/0043968 A1 * 2/2017 Nagai B65H 1/266
 2017/0267476 A1 * 9/2017 Miyagi H04N 1/00602
 2017/0279991 A1 * 9/2017 Shiota B65H 3/06
 2018/0007221 A1 * 1/2018 Mokuo H04N 1/00631
 2018/0170695 A1 * 6/2018 Kitsuki B65H 3/66
 2018/0176398 A1 * 6/2018 Harada B65H 29/70
 2018/0179006 A1 * 6/2018 Kogi B65H 3/063
 2018/0194579 A1 * 7/2018 Harada B65H 3/523

* cited by examiner

Fig. 1

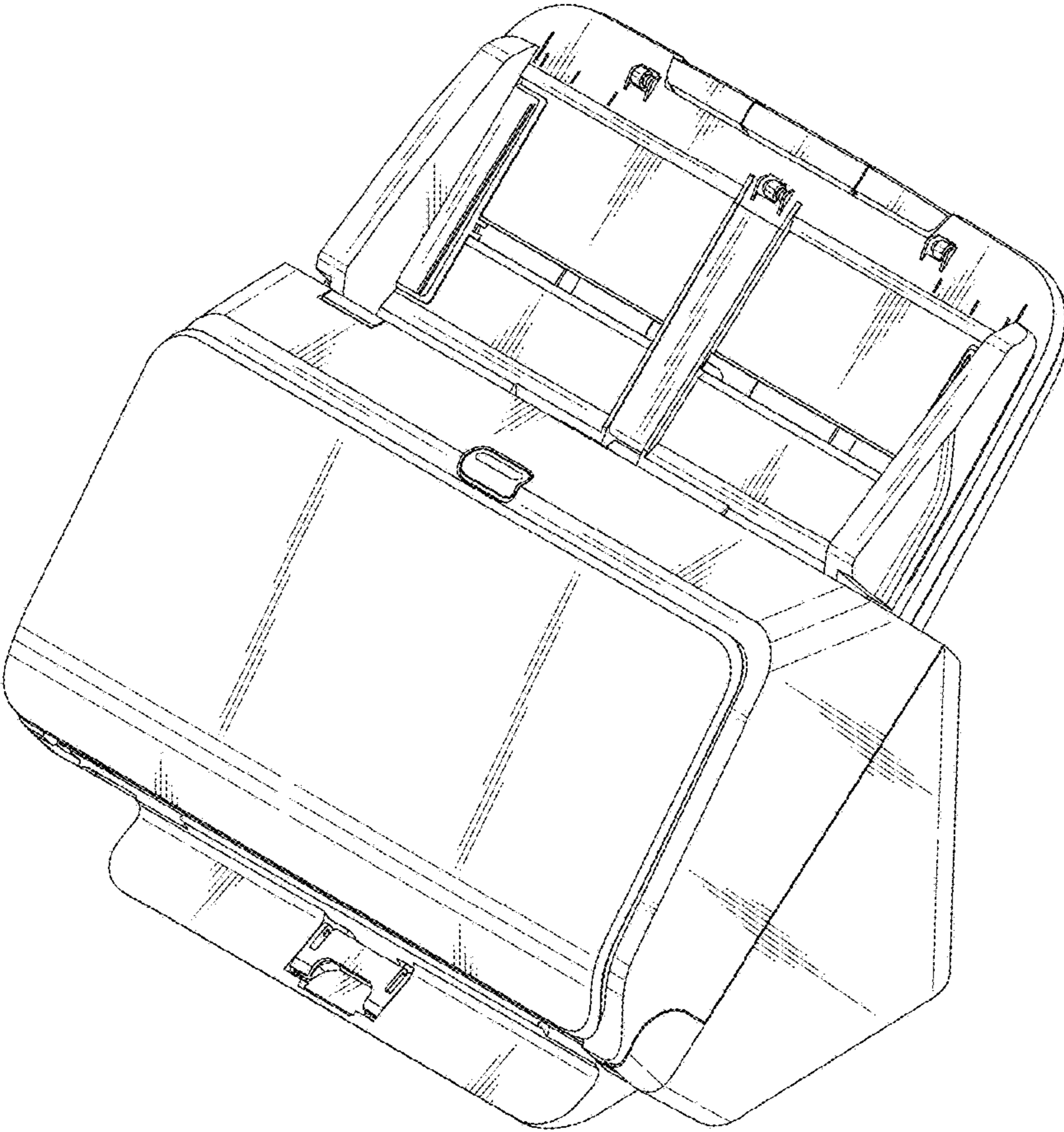


Fig. 2

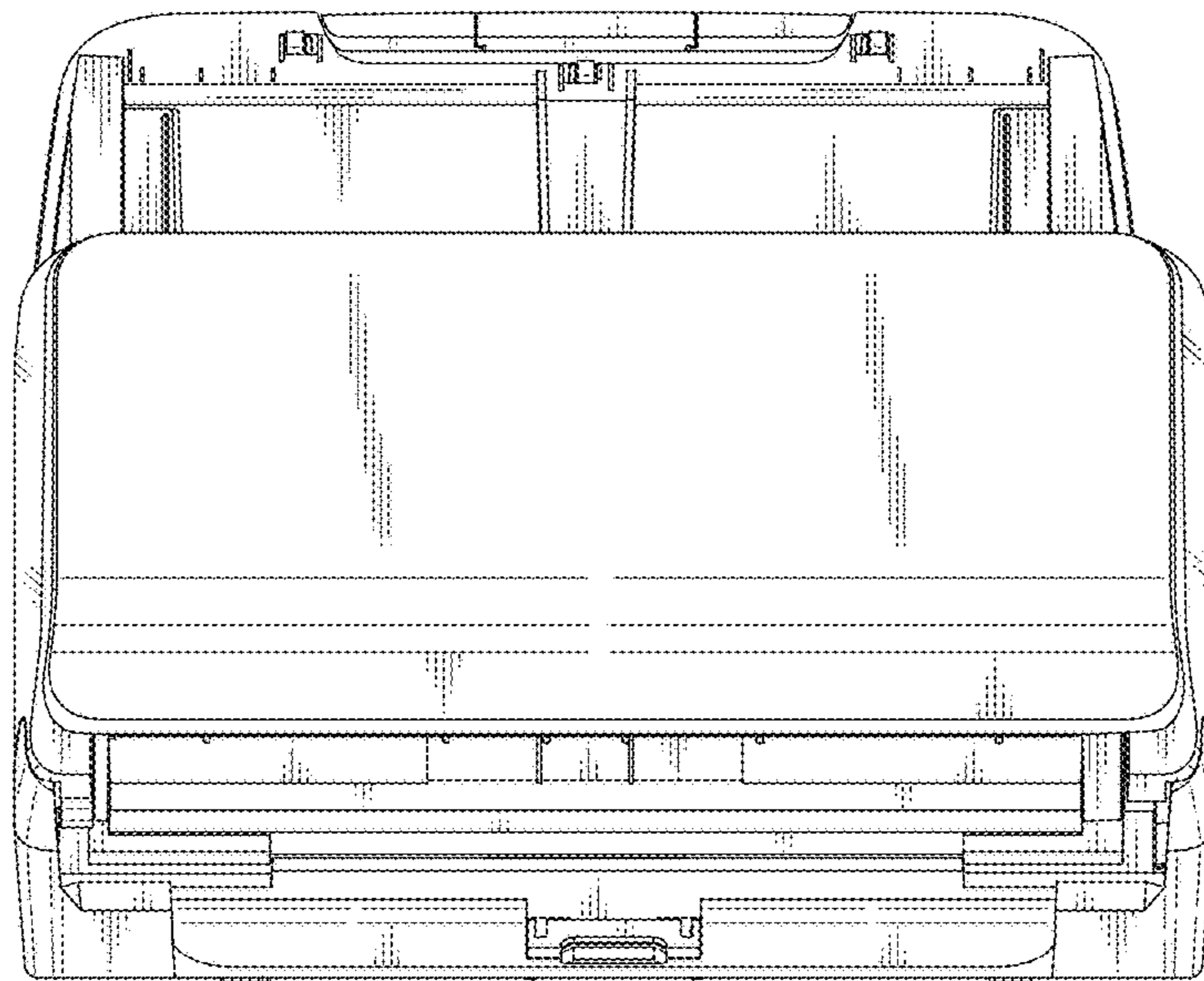


Fig. 3

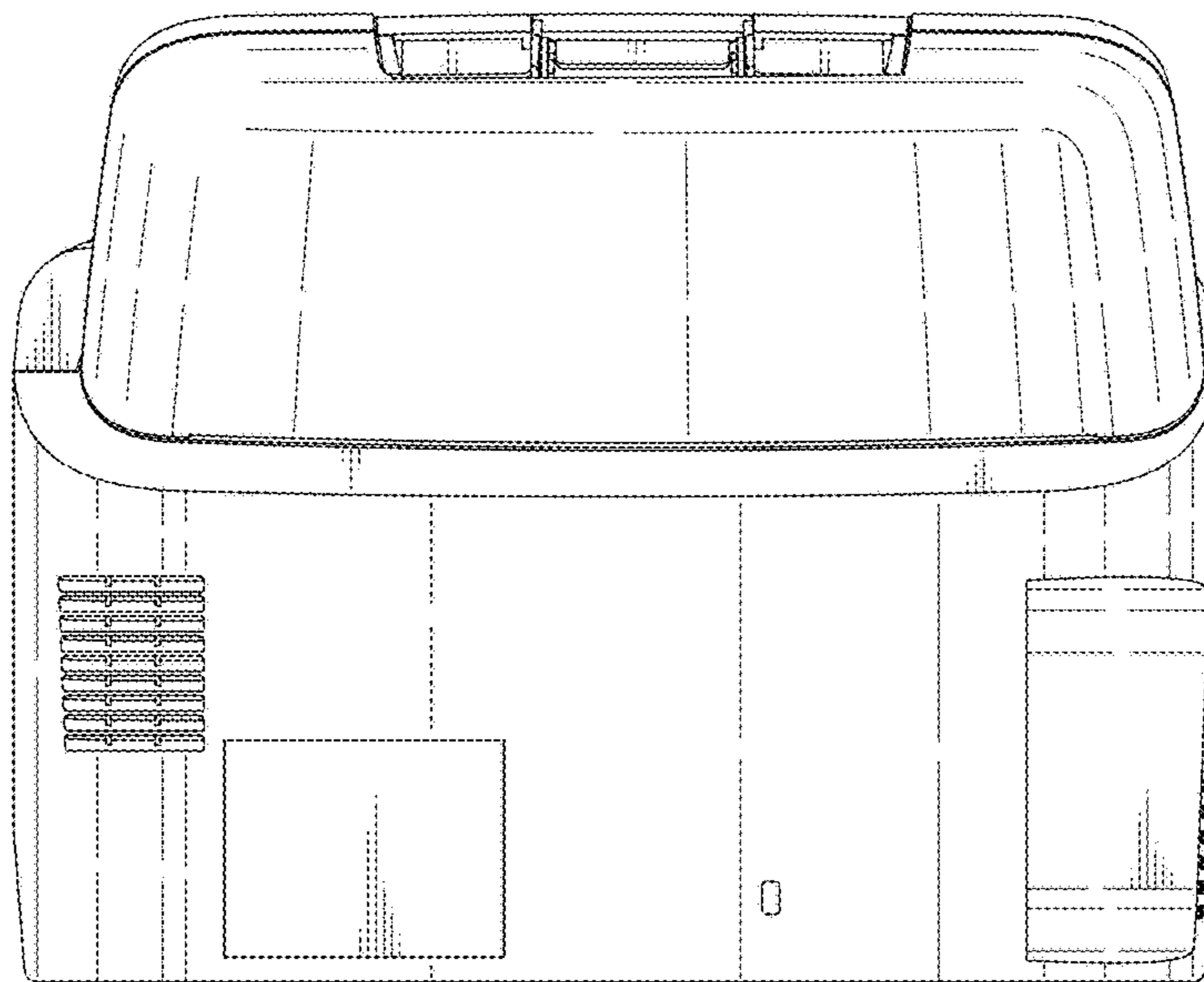


Fig. 4

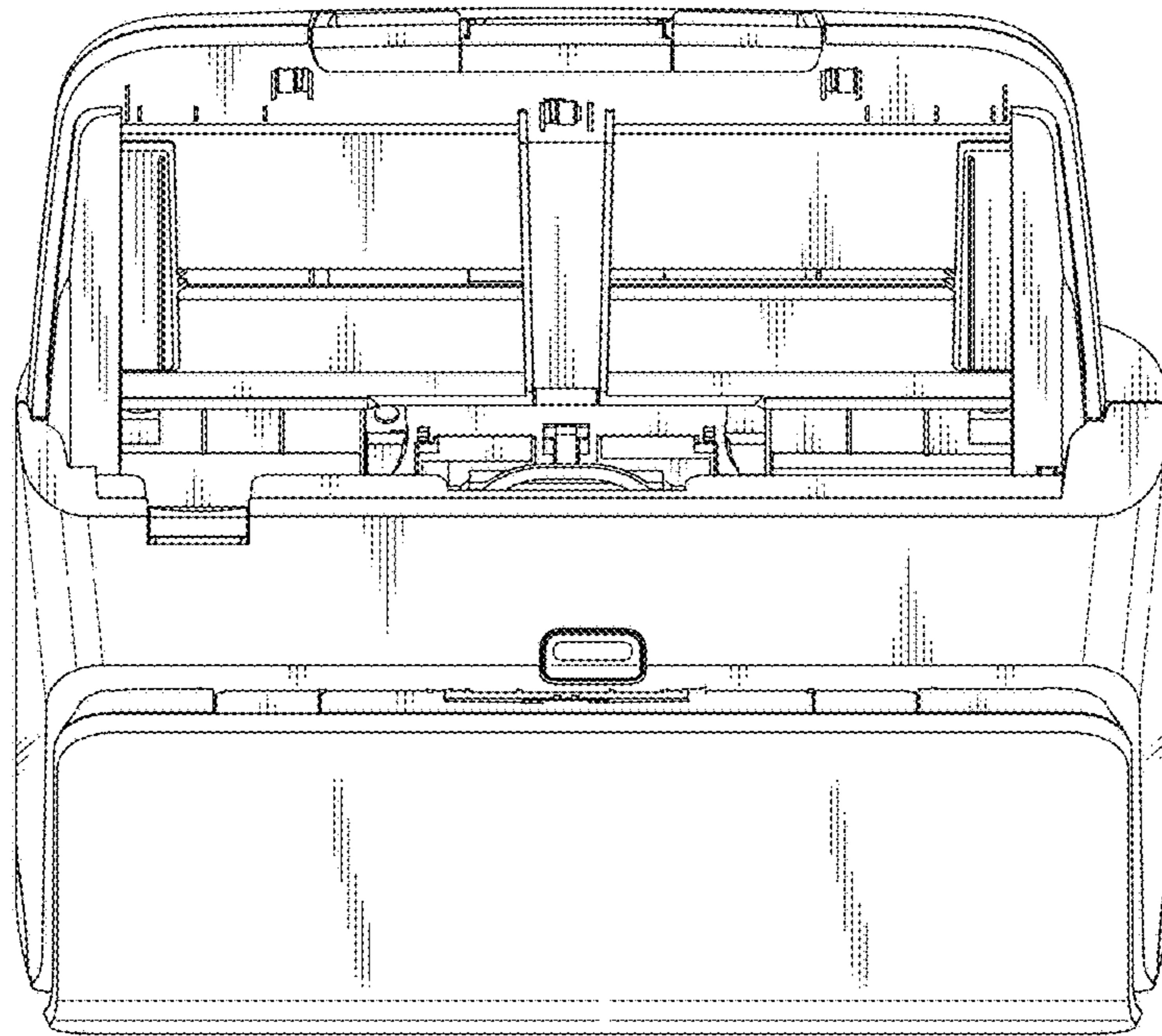


Fig. 5

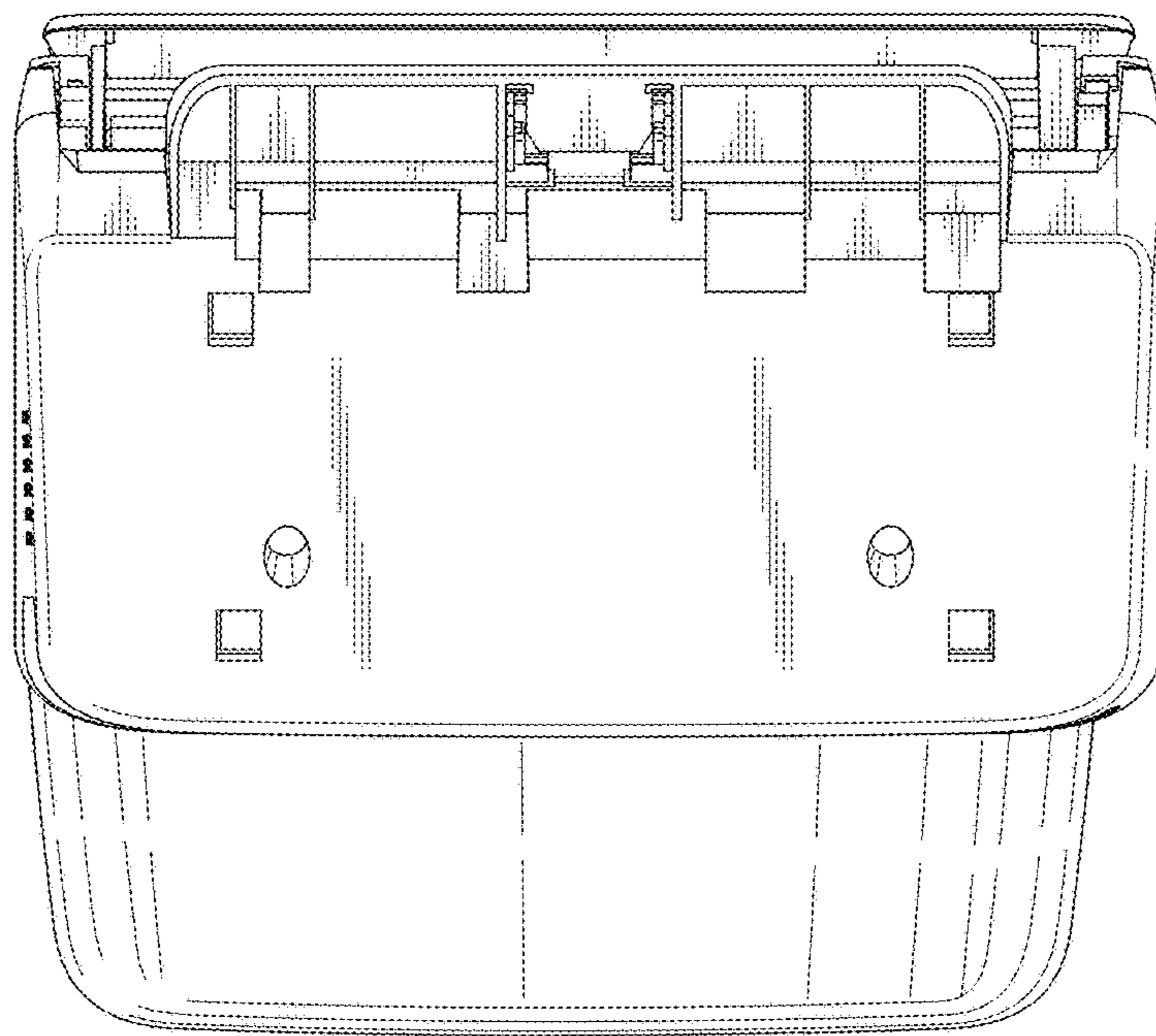


Fig. 6

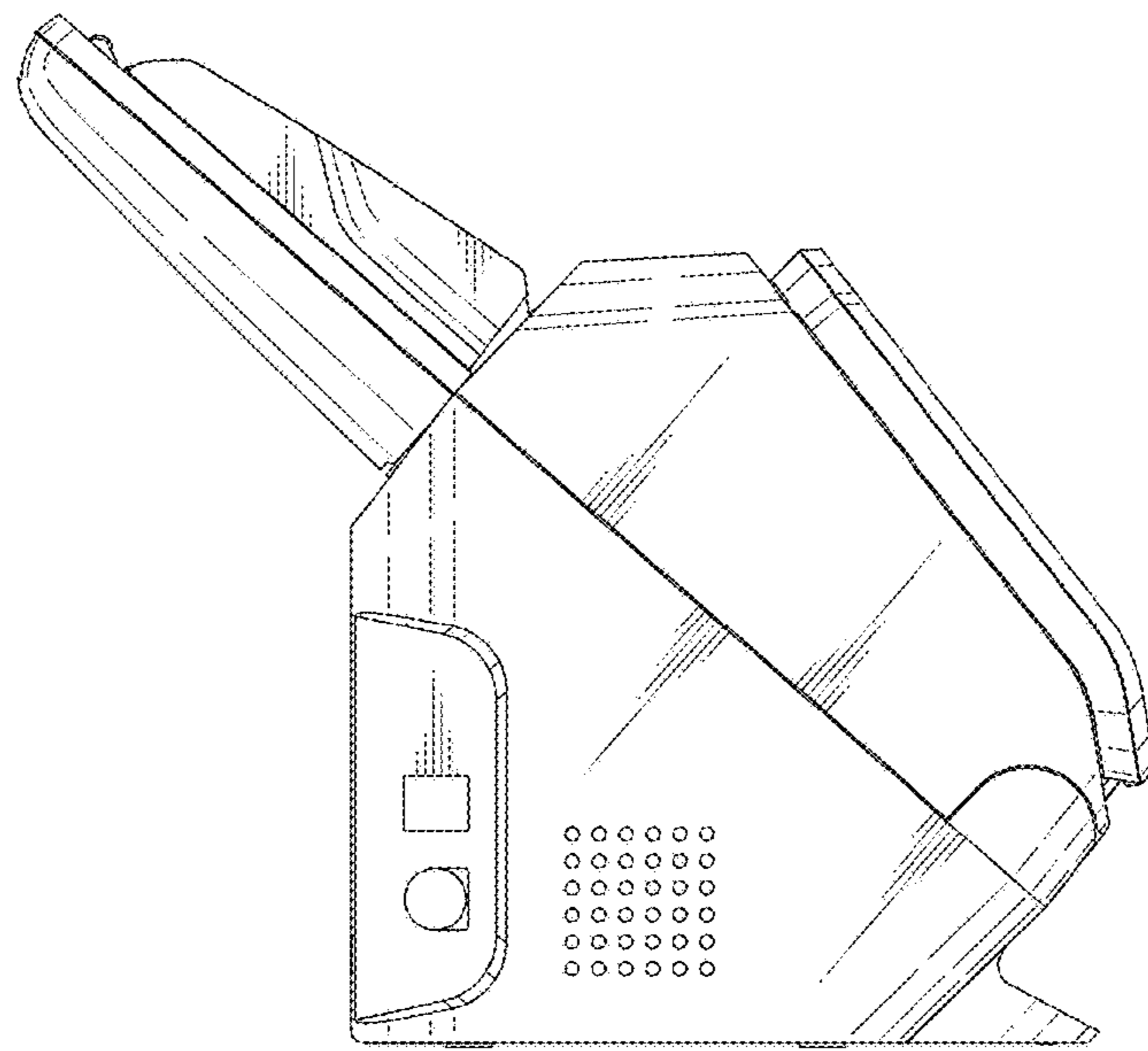


Fig. 7

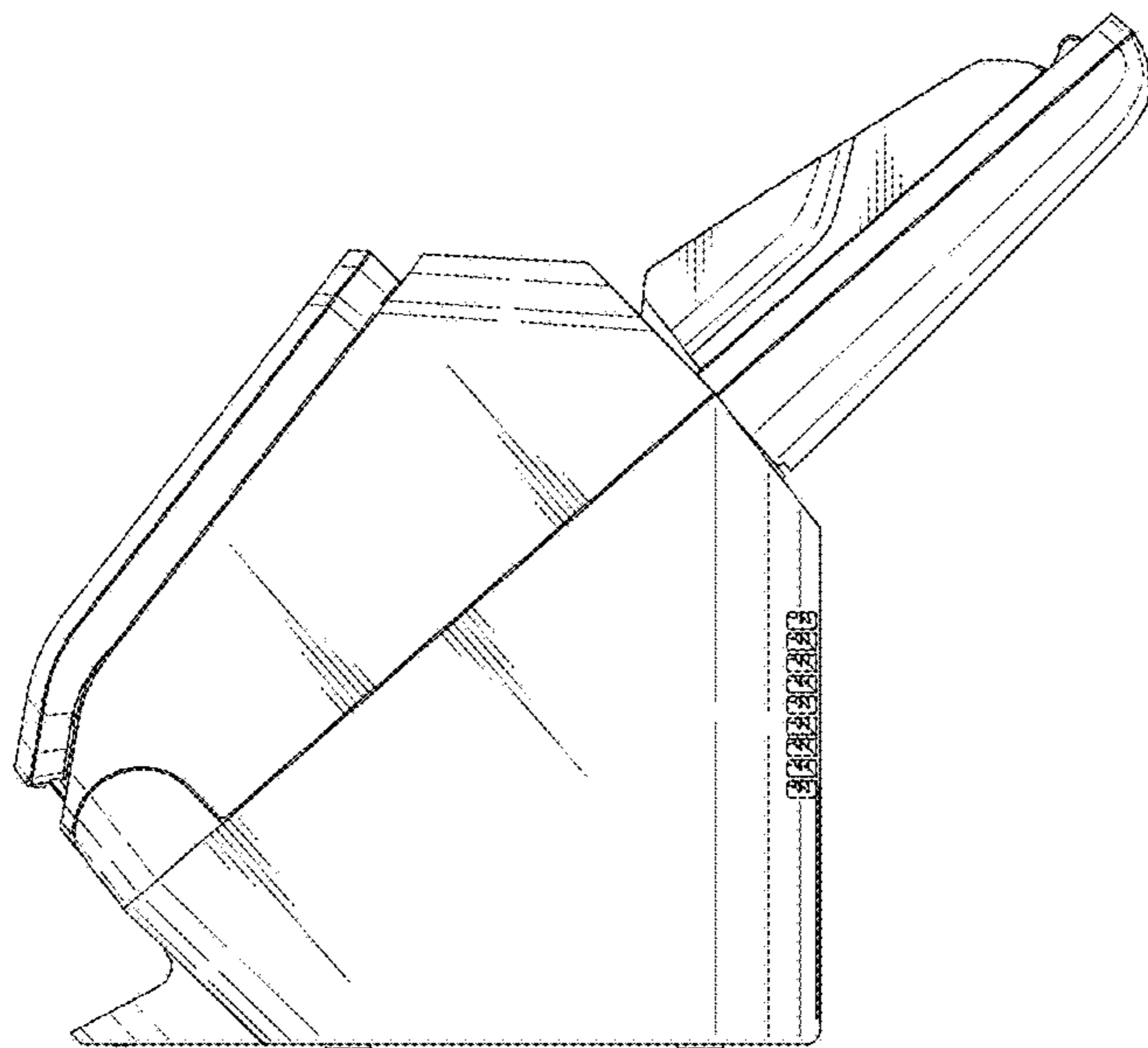


Fig. 8

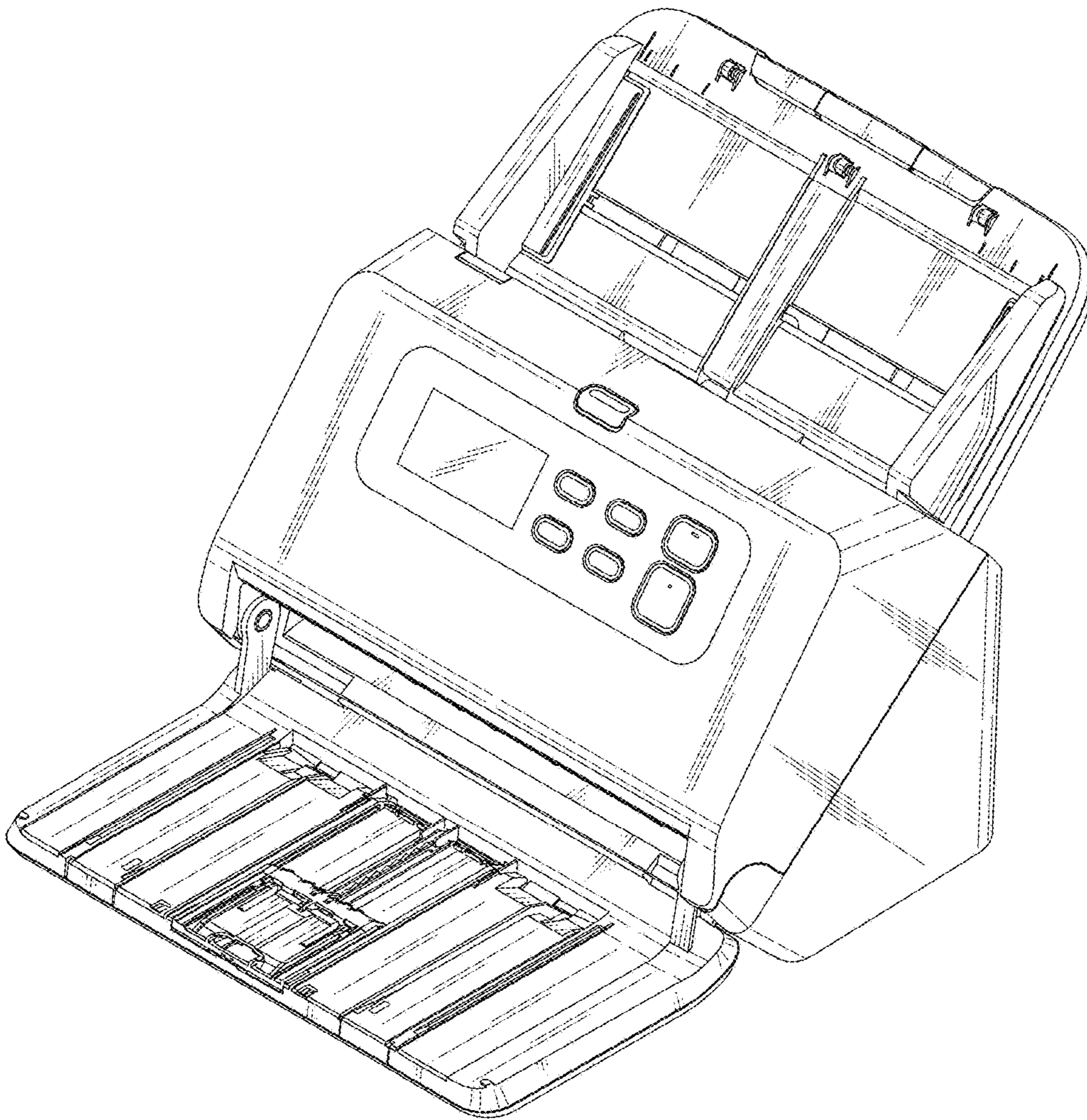


Fig. 9

