



US00D845949S

(12) **United States Design Patent**  
**Huebner**

(10) **Patent No.:** **US D845,949 S**

(45) **Date of Patent:** **\*\* Apr. 16, 2019**

(54) **COORDINATE INPUT INSTRUMENT**

FOREIGN PATENT DOCUMENTS

(71) Applicant: **Wacom Co., Ltd.**, Kazo-shi, Saitama (JP)

JP D1384580 S 4/2010

*Primary Examiner* — Austin Murphy

(72) Inventor: **Volker Huebner**, Erkrath (DE)

(74) *Attorney, Agent, or Firm* — Christensen O'Connor Johnson Kindness PLLC

(73) Assignee: **Wacom Co., Ltd.**, Kazo-shi (JP)

(57) **CLAIM**

(\*\*) Term: **15 Years**

The ornamental design for a coordinate input instrument, as shown and described.

(21) Appl. No.: **29/631,220**

**DESCRIPTION**

(22) Filed: **Dec. 28, 2017**

(30) **Foreign Application Priority Data**

Jun. 28, 2017 (JP) ..... 2017-013844

(51) **LOC (11) Cl.** ..... **14-02**

(52) **U.S. Cl.**  
USPC ..... **D14/411**

(58) **Field of Classification Search**  
USPC ..... D14/372, 496, 432, 371, 125, 126, 129,  
D14/299, 411; D16/300-342; 351/158,  
351/153, 144; 345/7-9, 905; 455/344;  
348/115, 53, 121, 739  
CPC ..... G02B 27/017; G06F 3/016; G06F 3/033;  
G06F 3/0317; G06F 3/03545; G06F  
3/041; G06K 9/222

See application file for complete search history.

(56) **References Cited**

U.S. PATENT DOCUMENTS

D527,050 S 8/2006 Hirota  
D595,718 S 7/2009 Richter et al.  
D614,623 S 4/2010 Crisp et al.  
D717,798 S \* 11/2014 Groene ..... D14/411  
D724,086 S \* 3/2015 Schoenert ..... D14/411  
D772,230 S \* 11/2016 Lee ..... D14/411

(Continued)

FIG. 1 shows a top perspective view of a representative embodiment of a coordinate input instrument according to my new design;

FIG. 2 shows a bottom perspective view of the coordinate input instrument of FIG. 1;

FIG. 3 shows a top plan view of the coordinate input instrument of FIG. 1;

FIG. 4 shows a right side elevational view of the coordinate input instrument of FIG. 1, wherein the left side elevational view is a mirror image of the right side elevational view;

FIG. 5 shows a bottom plan view of the coordinate input instrument of FIG. 1;

FIG. 6 shows a front elevational view of the coordinate input instrument of FIG. 1;

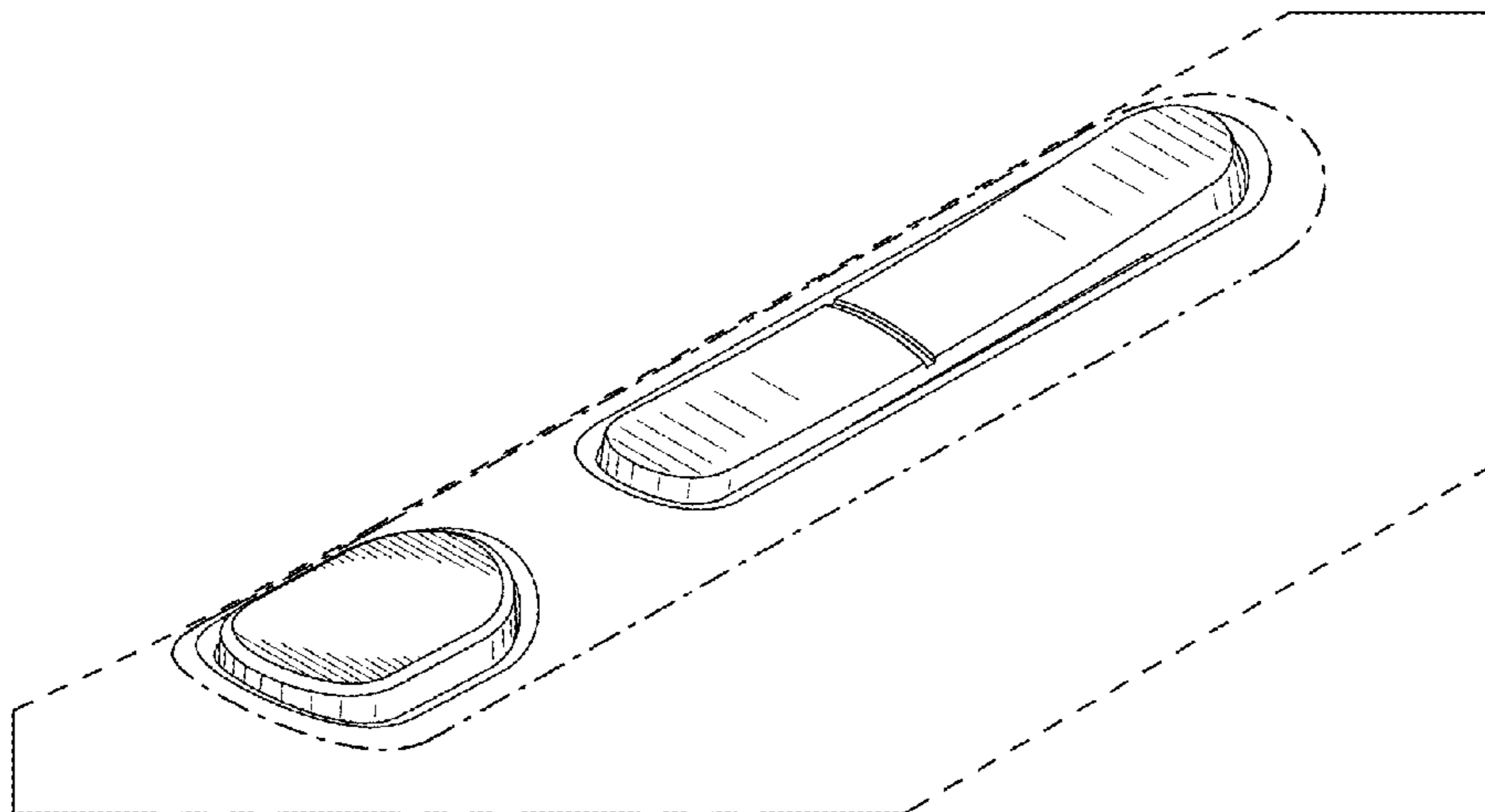
FIG. 7 shows a rear elevational view of the coordinate input instrument of FIG. 1;

FIG. 8 shows an enlarged rear elevational view of the coordinate input instrument of FIG. 1; and,

FIG. 9 shows an enlarged, partial top perspective view of the coordinate input instrument, as indicated in FIG. 1.

The dashed broken lines in the drawings show portions of the coordinate input device that form no part of the claimed design. The dot-dash broken lines in the drawings indicate boundaries of the claimed subject matter that form no part of the claimed design. The dot-dot-dash broken lines in the drawings indicate boundaries of the view indicators that form no part of the claimed design.

**1 Claim, 3 Drawing Sheets**



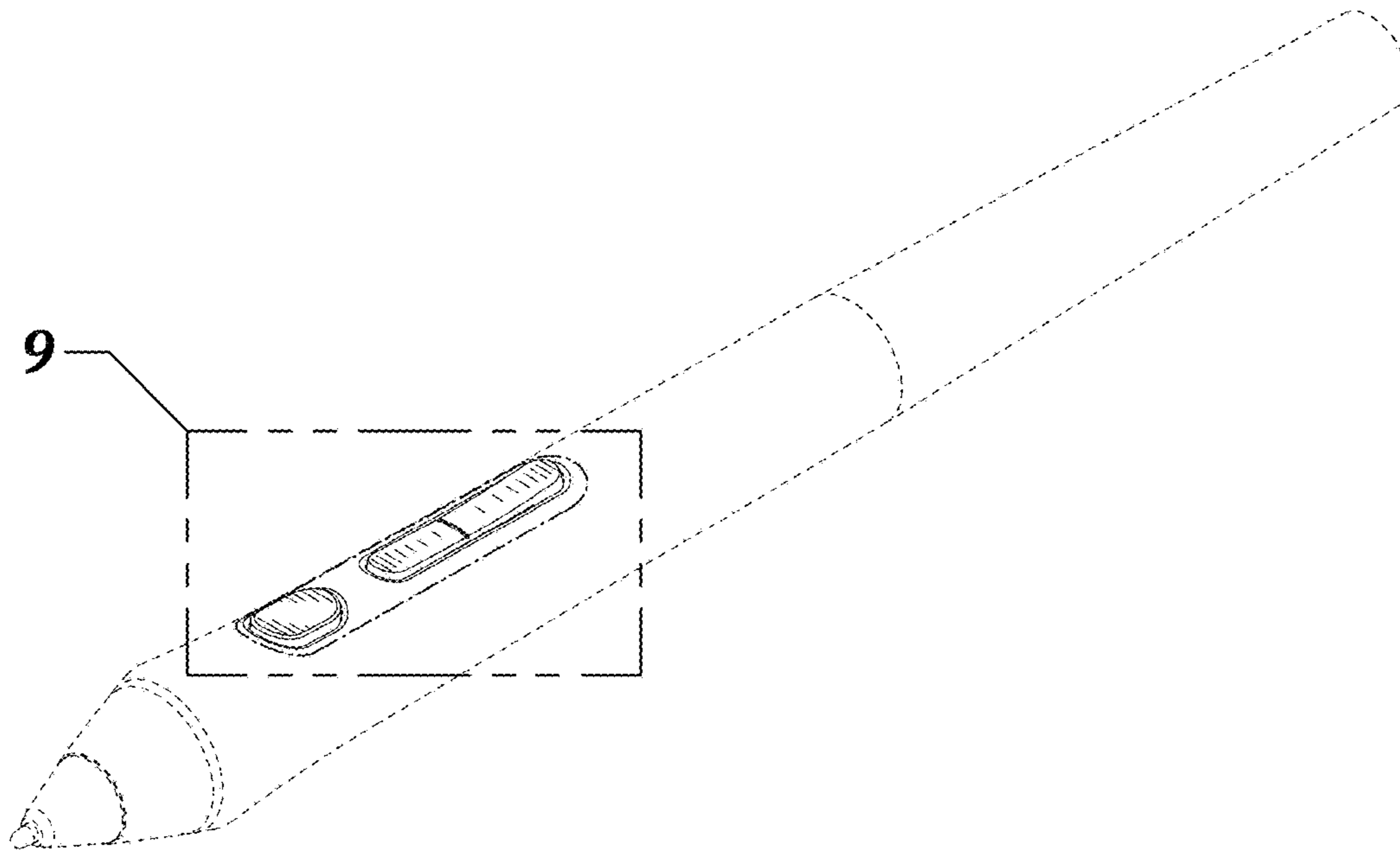
(56)

**References Cited**

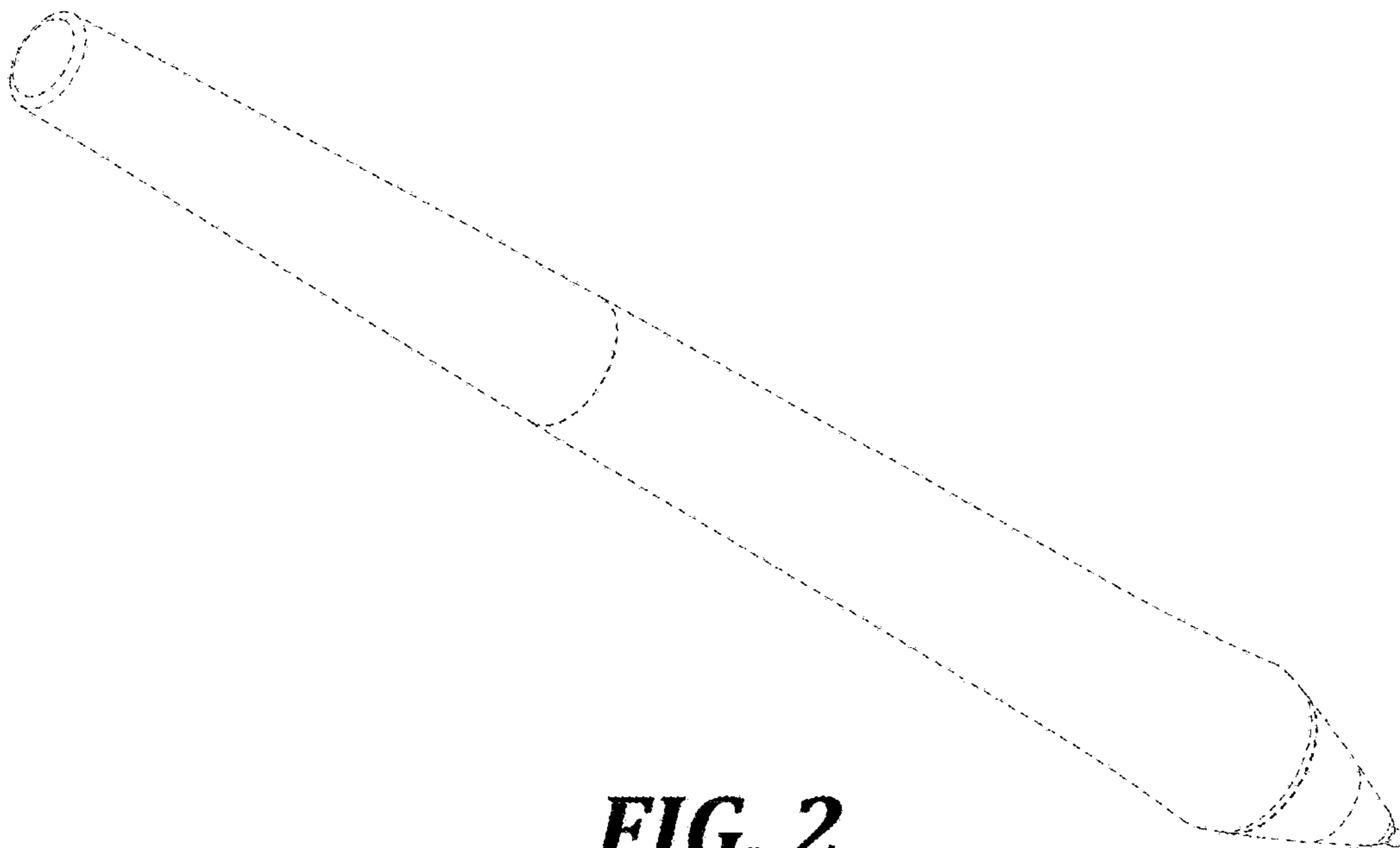
U.S. PATENT DOCUMENTS

|            |   |         |           |       |         |
|------------|---|---------|-----------|-------|---------|
| D773,462 S | * | 12/2016 | Mitchell  | ..... | D14/411 |
| D784,991 S | * | 4/2017  | Chang     | ..... | D14/411 |
| D797,741 S | * | 9/2017  | Cebe      | ..... | D14/411 |
| D807,349 S | * | 1/2018  | Lee       | ..... | D14/342 |
| D808,384 S | * | 1/2018  | Lee       | ..... | D14/342 |
| D811,401 S | * | 2/2018  | Lehman    | ..... | D14/411 |
| D812,057 S | * | 3/2018  | Lehman    | ..... | D14/411 |
| D813,237 S | * | 3/2018  | Lee       | ..... | D14/411 |
| D813,238 S | * | 3/2018  | Lee       | ..... | D14/411 |
| D825,566 S | * | 8/2018  | Peterson  | ..... | D14/411 |
| D826,940 S | * | 8/2018  | Nishizawa | ..... | D14/411 |
| D832,841 S | * | 11/2018 | Lee       | ..... | D14/411 |
| D832,842 S | * | 11/2018 | Lee       | ..... | D14/411 |

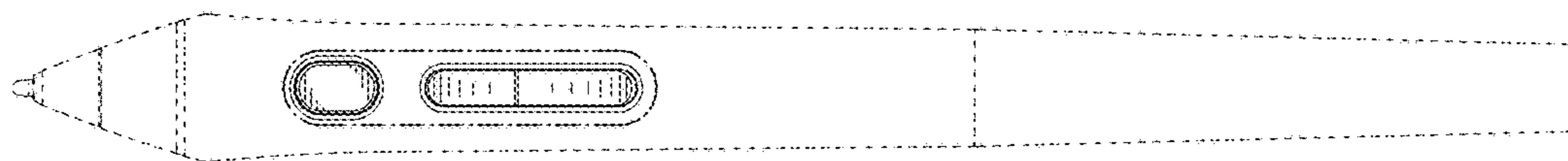
\* cited by examiner



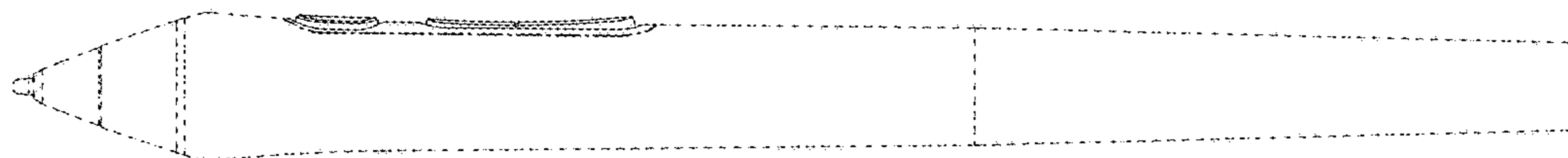
**FIG. 1**



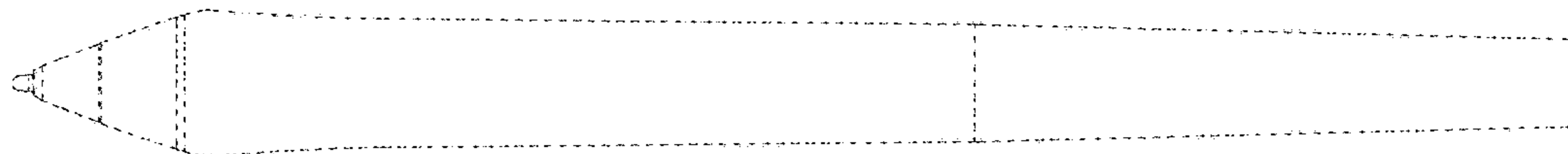
**FIG. 2**



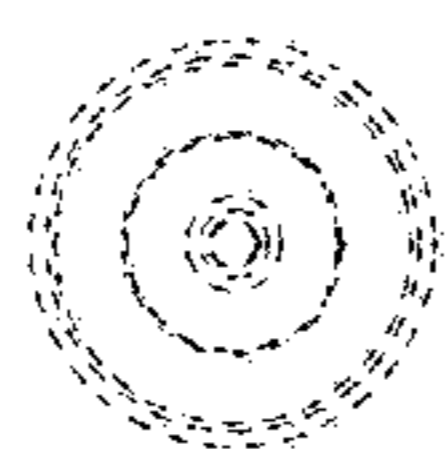
**FIG. 3**



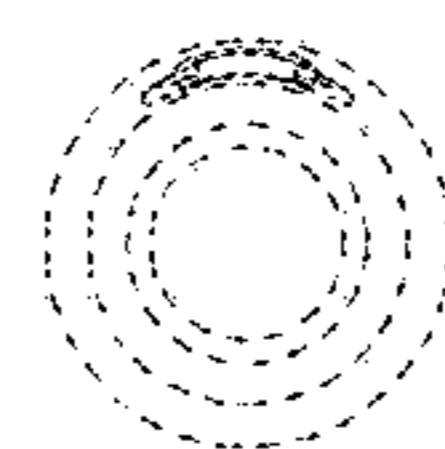
**FIG. 4**



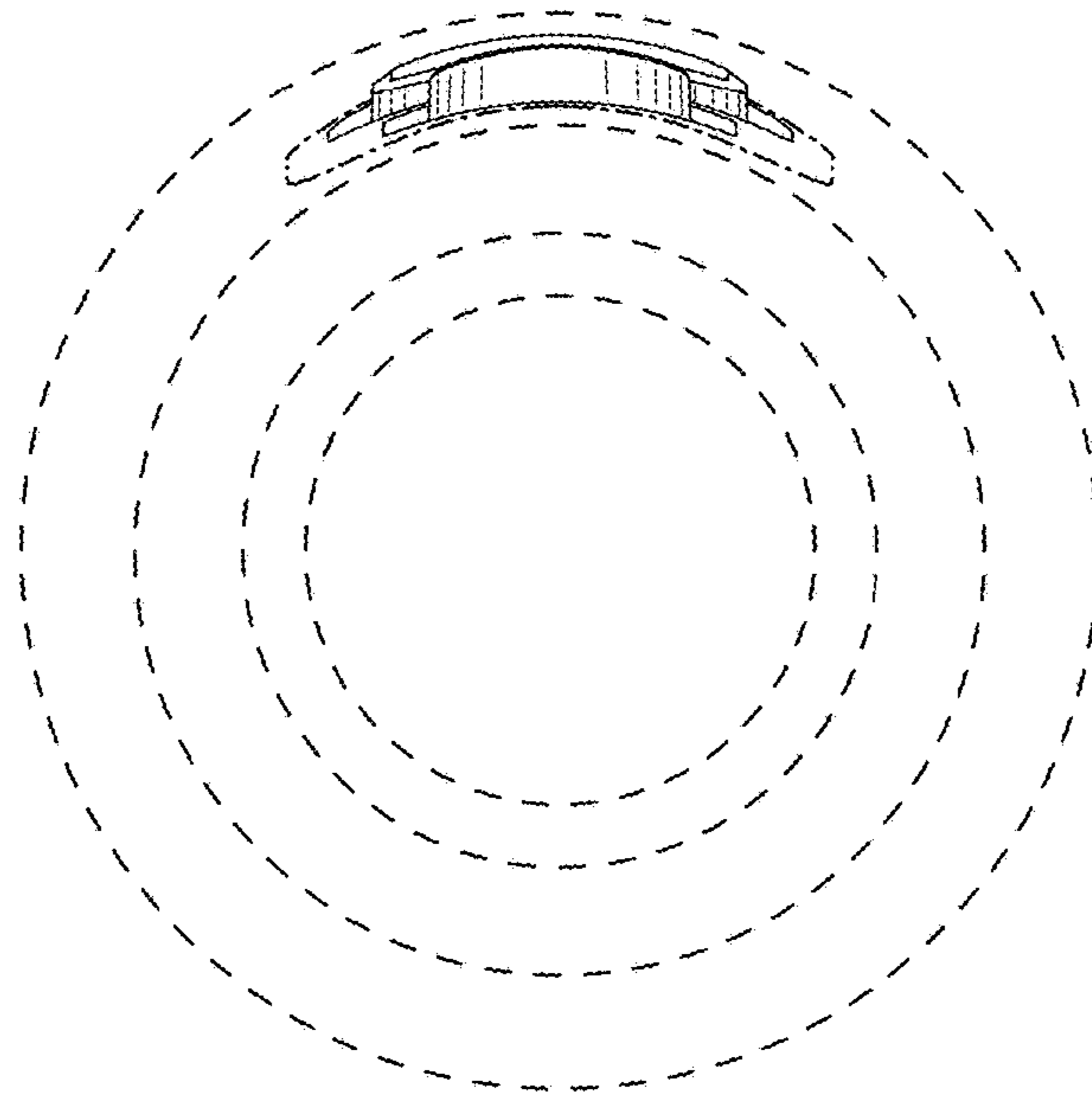
**FIG. 5**



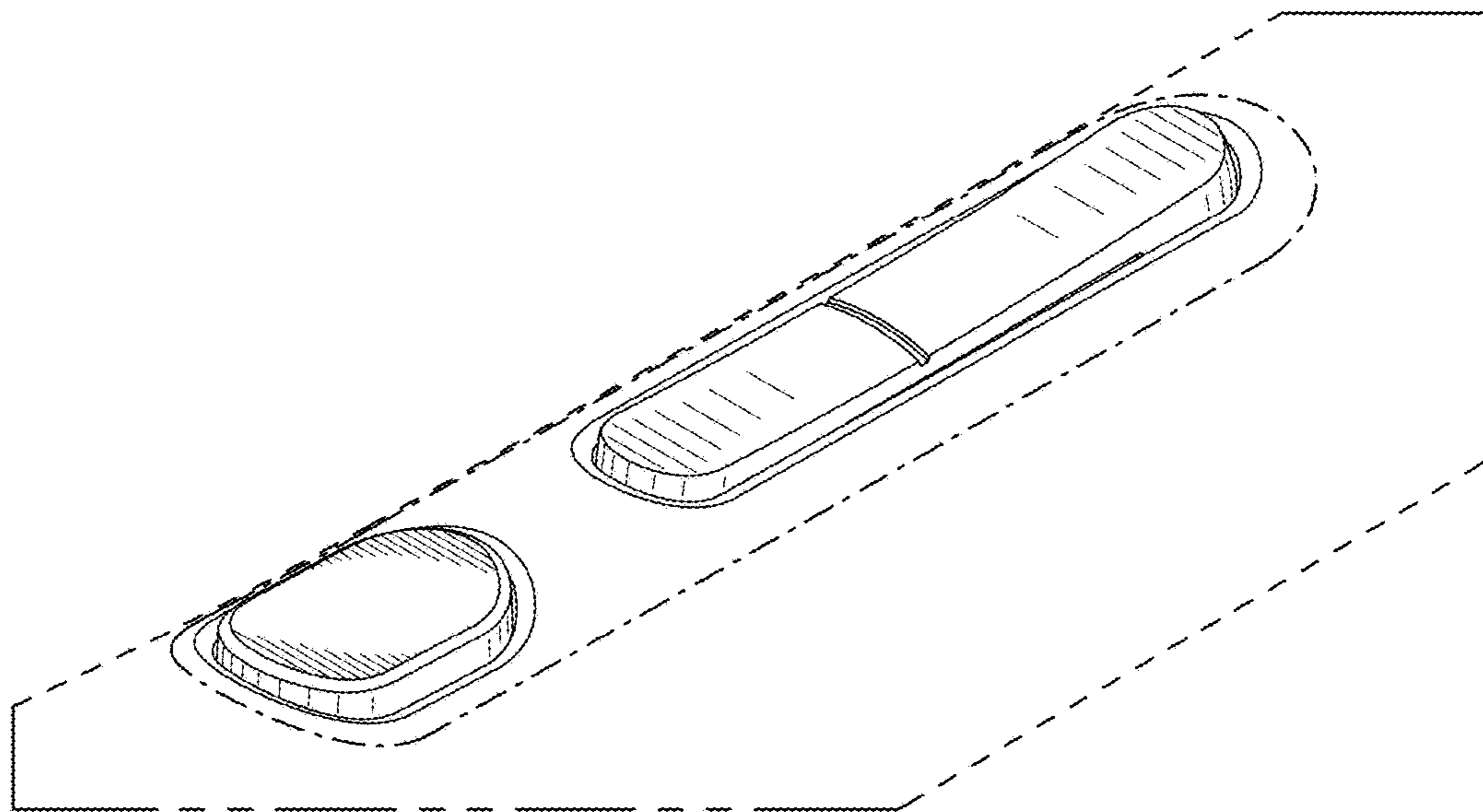
**FIG. 6**



**FIG. 7**



**FIG. 8**



**FIG. 9**