



US00D845948S

(12) **United States Design Patent**  
**Jin et al.**

(10) **Patent No.:** **US D845,948 S**

(45) **Date of Patent:** **\*\* Apr. 16, 2019**

(54) **MOUSE**

- (71) Applicant: **Kingston Digital, Inc.**, Fountain Valley, CA (US)
- (72) Inventors: **Albert Jin**, Fountain Valley, CA (US);  
**Lung Yuan Chen**, Hsinchu (TW);  
**Chung Chuan Chou**, Hsinchu (TW)
- (73) Assignee: **Kingston Digital, Inc.**, Fountain Valley, CA (US)

(\*\*) Term: **15 Years**

(21) Appl. No.: **29/633,384**

(22) Filed: **Jan. 12, 2018**

(51) **LOC (11) Cl.** ..... **14-02**

(52) **U.S. Cl.**  
USPC ..... **D14/410**

(58) **Field of Classification Search**  
USPC ..... D14/402–411, 356, 388, 389, 383–385,  
D14/417, 426; 345/156–167; 463/36–38;  
358/471, 473; 273/148 B  
See application file for complete search history.

(56) **References Cited**

**U.S. PATENT DOCUMENTS**

D424,550 S *	5/2000	Su	.....	D14/410
D640,257 S *	6/2011	Lee	.....	D14/410
D680,113 S *	4/2013	Li	.....	D14/409
D709,883 S *	7/2014	Moon	.....	D14/402
D711,380 S *	8/2014	Urban	.....	D14/410
D729,804 S *	5/2015	Jost	.....	D14/410
D762,646 S *	8/2016	Chong	.....	D14/409
D764,470 S *	8/2016	Jost	.....	D14/406
D771,046 S *	11/2016	Jost	.....	D14/410
D820,262 S *	6/2018	Shayani	.....	D14/410
D829,717 S *	10/2018	Lu	.....	D14/409
D830,361 S *	10/2018	Jin	.....	D14/402

**OTHER PUBLICATIONS**

Office Action to the corresponding Taiwan Patent Application rendered by the Taiwan Intellectual Property Office (TIPO) on Jul. 31, 2018, 3 pages.

\* cited by examiner

*Primary Examiner* — Austin Murphy

(74) *Attorney, Agent, or Firm* — Skaar Ulbrich Macari, P.A.

(57) **CLAIM**

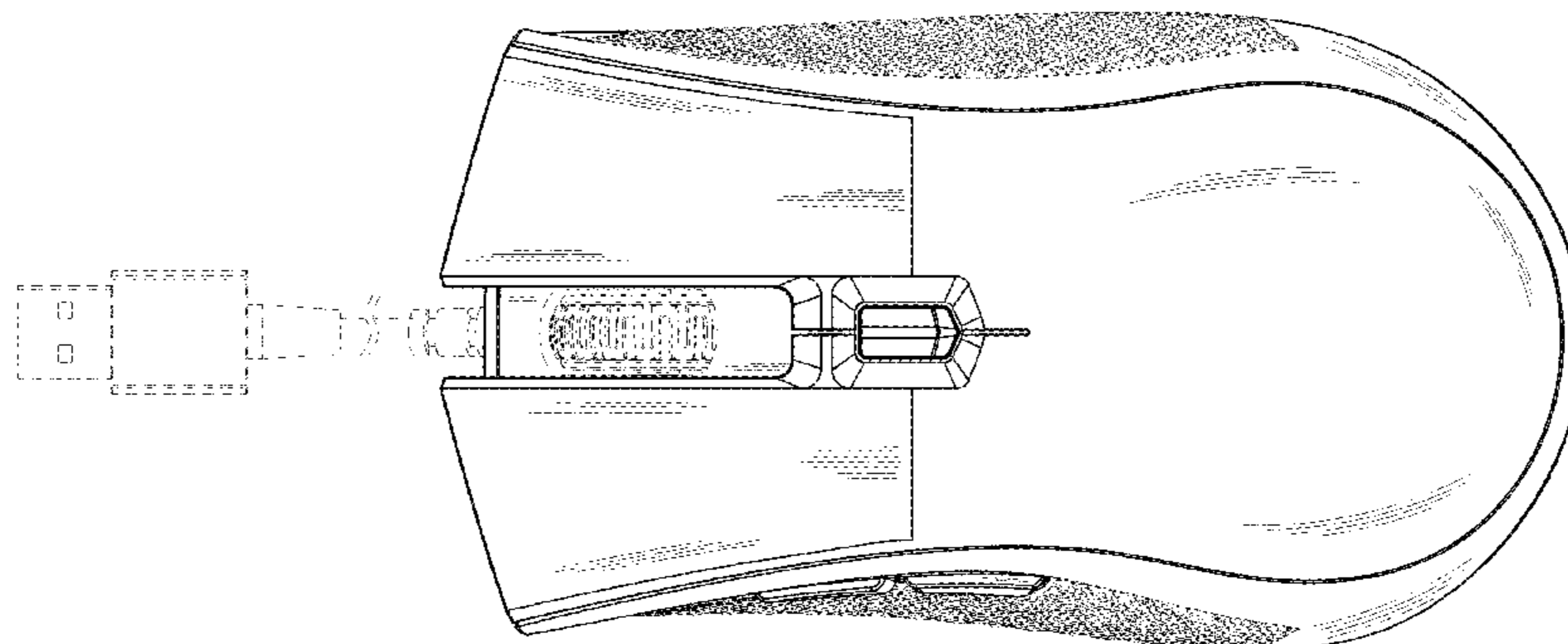
We claim an ornamental design for a mouse, as shown and described.

**DESCRIPTION**

FIG. 1 is a first perspective view of a mouse showing the claimed design;  
FIG. 2 is a second perspective view of FIG. 1;  
FIG. 3 is a third perspective view of FIG. 1;  
FIG. 4 is a fourth perspective view of FIG. 1;  
FIG. 5 is a front elevational view of FIG. 1;  
FIG. 6 is a rear elevational view of FIG. 1;  
FIG. 7 is a left side elevational view of FIG. 1;  
FIG. 8 is a right side elevational view of FIG. 1;  
FIG. 9 is a top plan view of FIG. 1;  
FIG. 10 is a bottom plan view of FIG. 1; and,  
FIG. 11 is an enlarged view according to an area A of FIG. 2.

The dashed broken lines in the figures represent portions of the article which form no part of the claimed design.  
The dot-dash lines in the figures represent the boundaries of the enlarged area which forms no part of the claimed design.

**1 Claim, 9 Drawing Sheets**



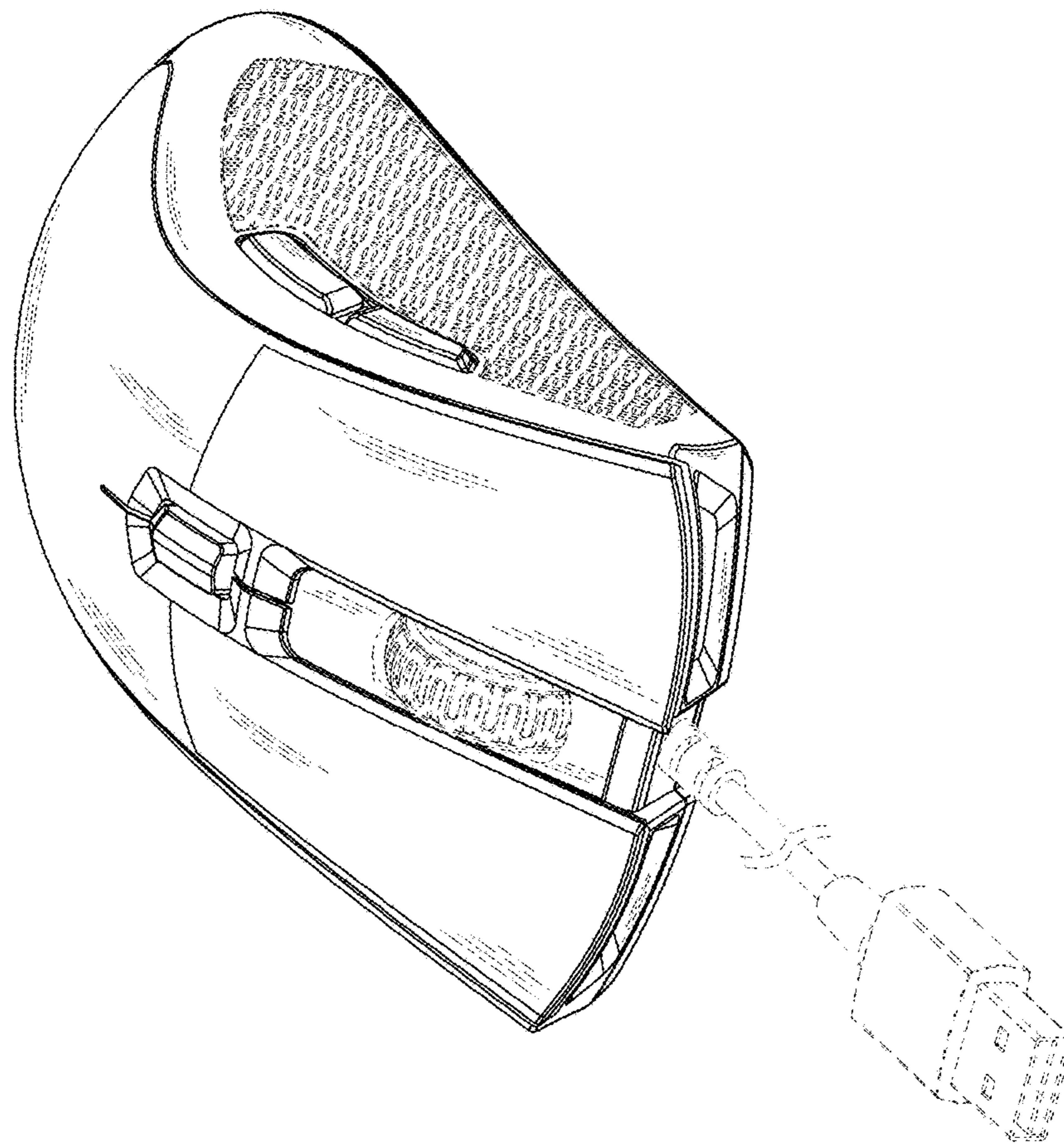


FIG. 1

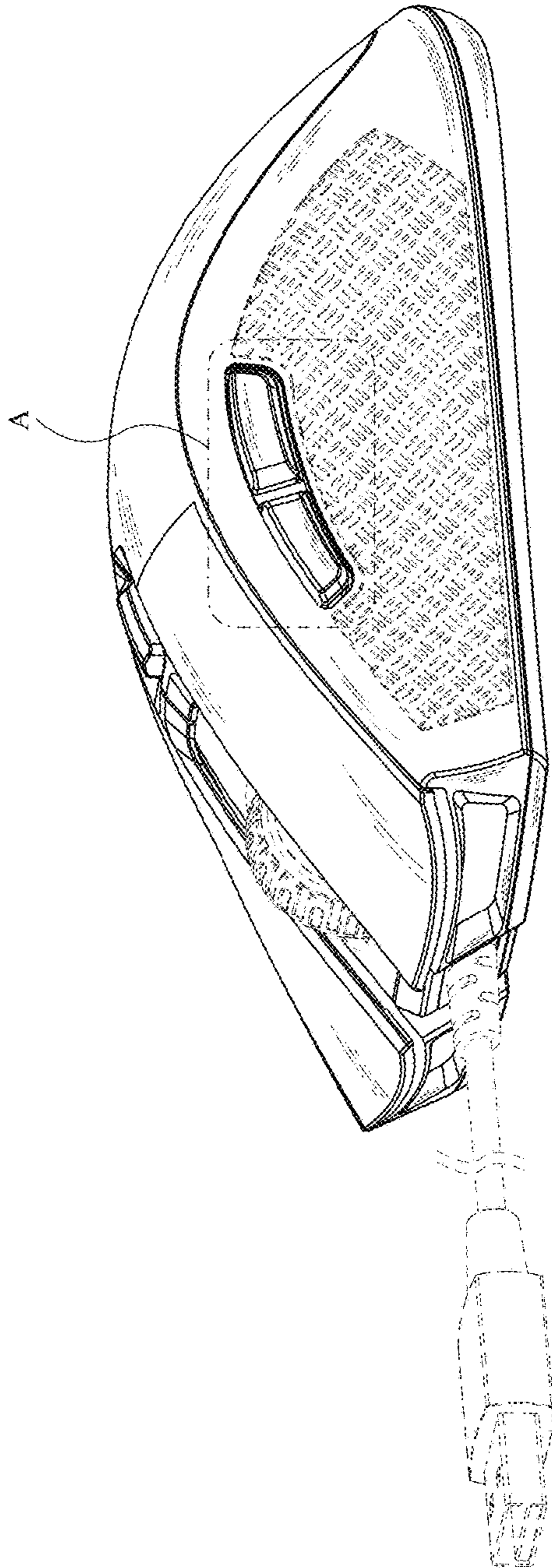


FIG. 2

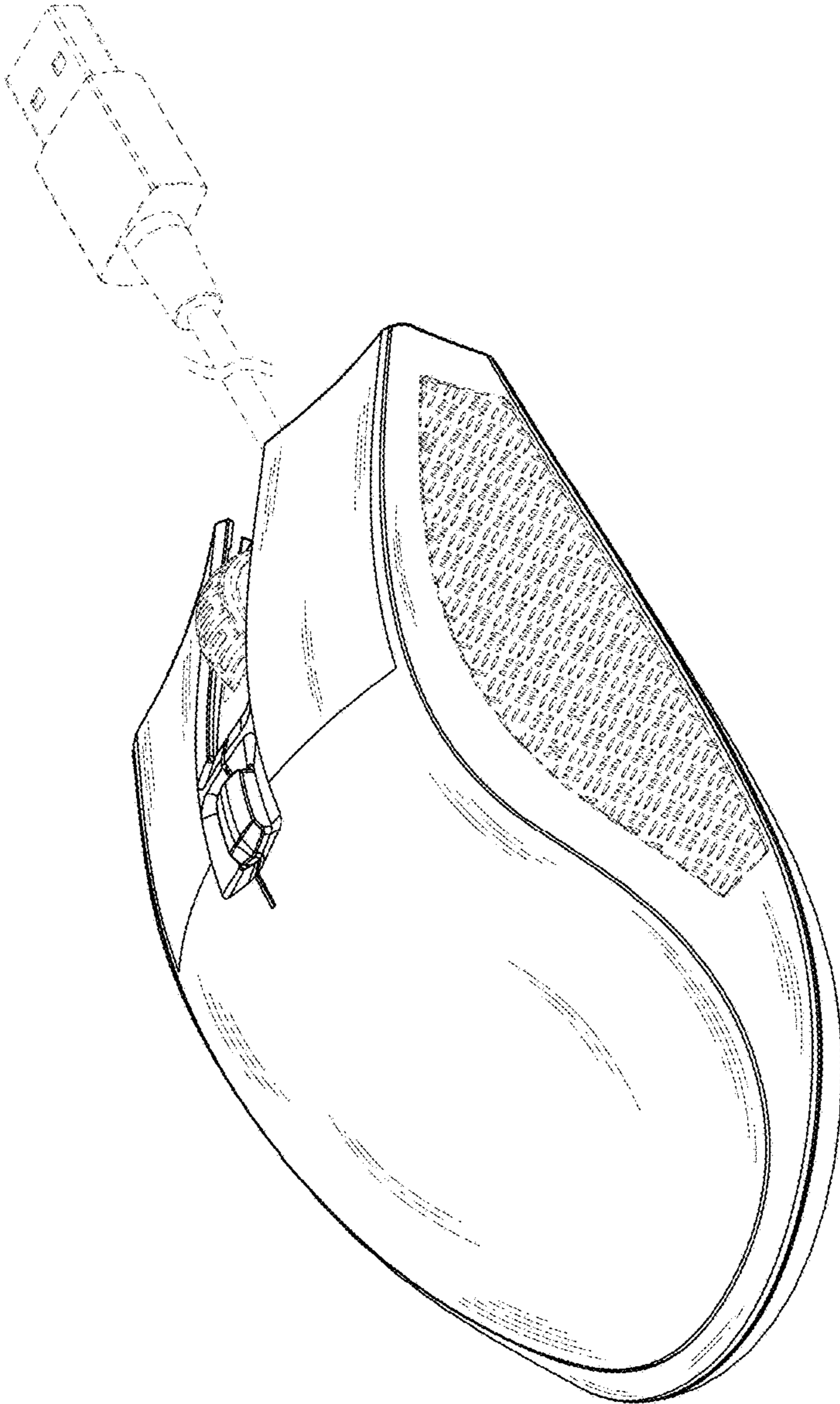


FIG. 3

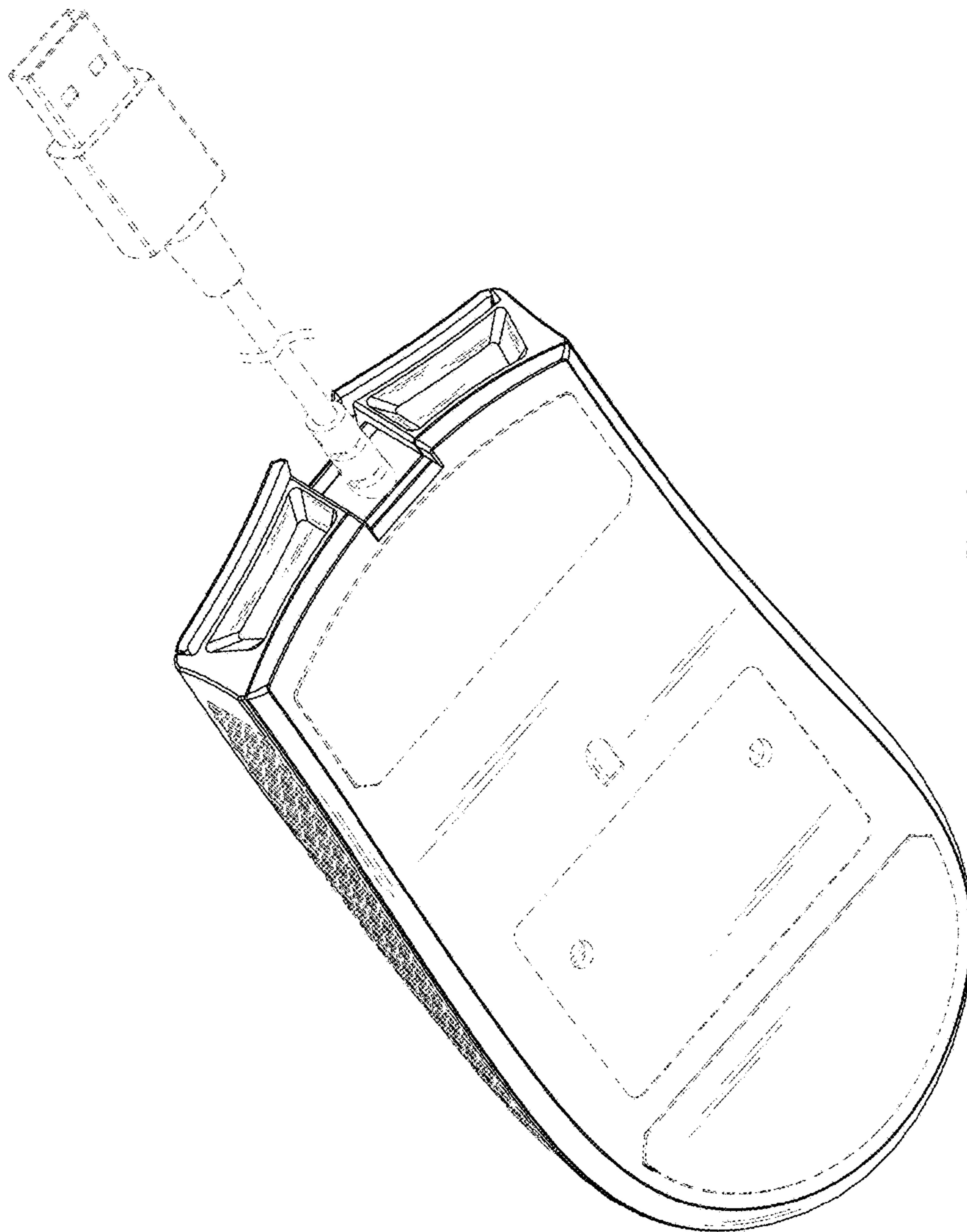


FIG. 4

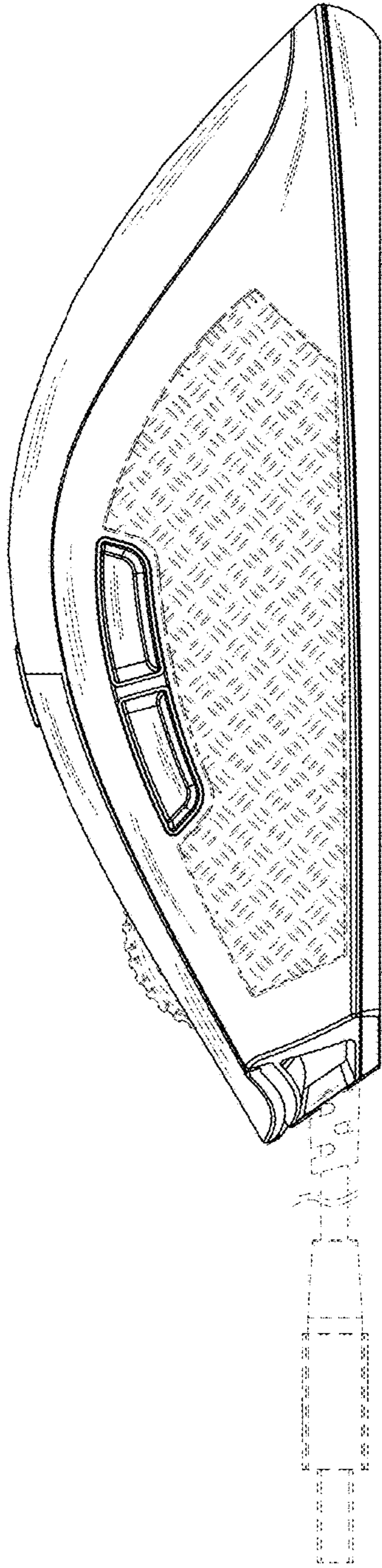


FIG. 5

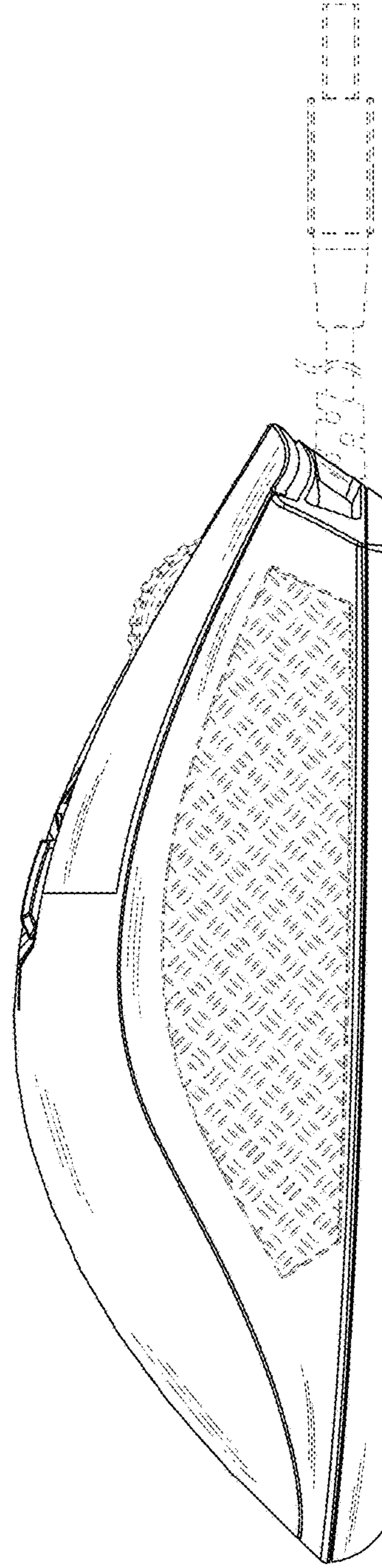


FIG. 6

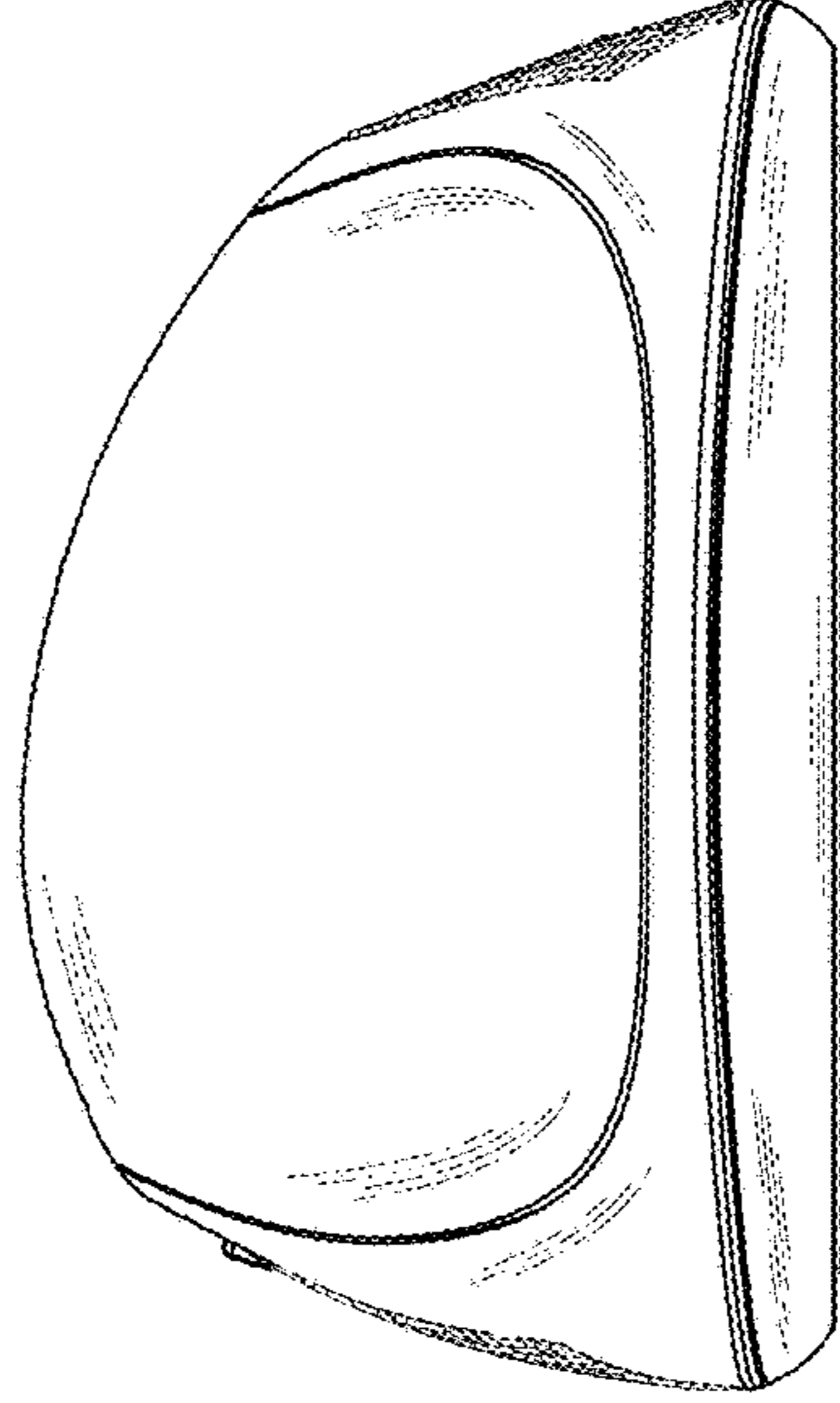


FIG. 8

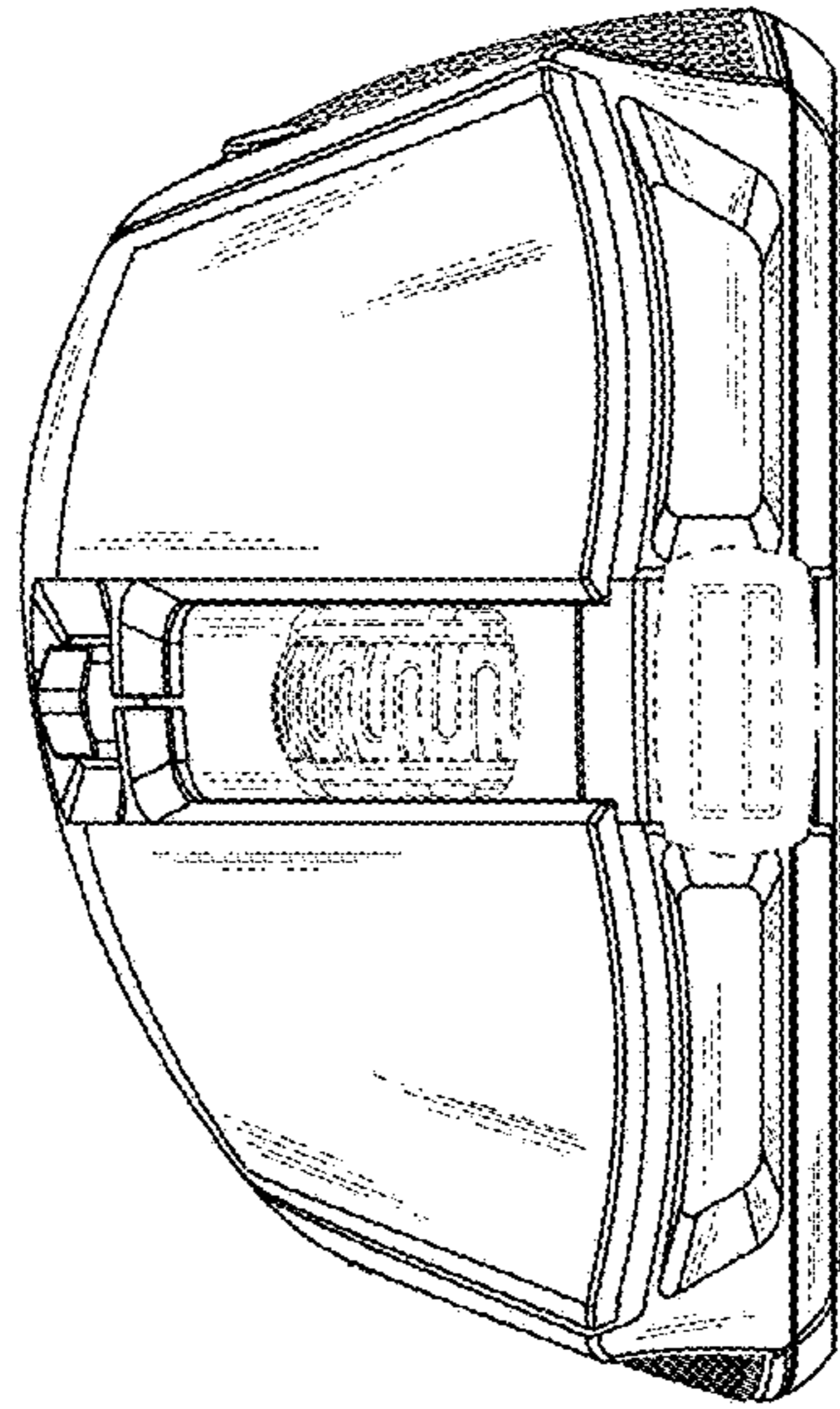


FIG. 7

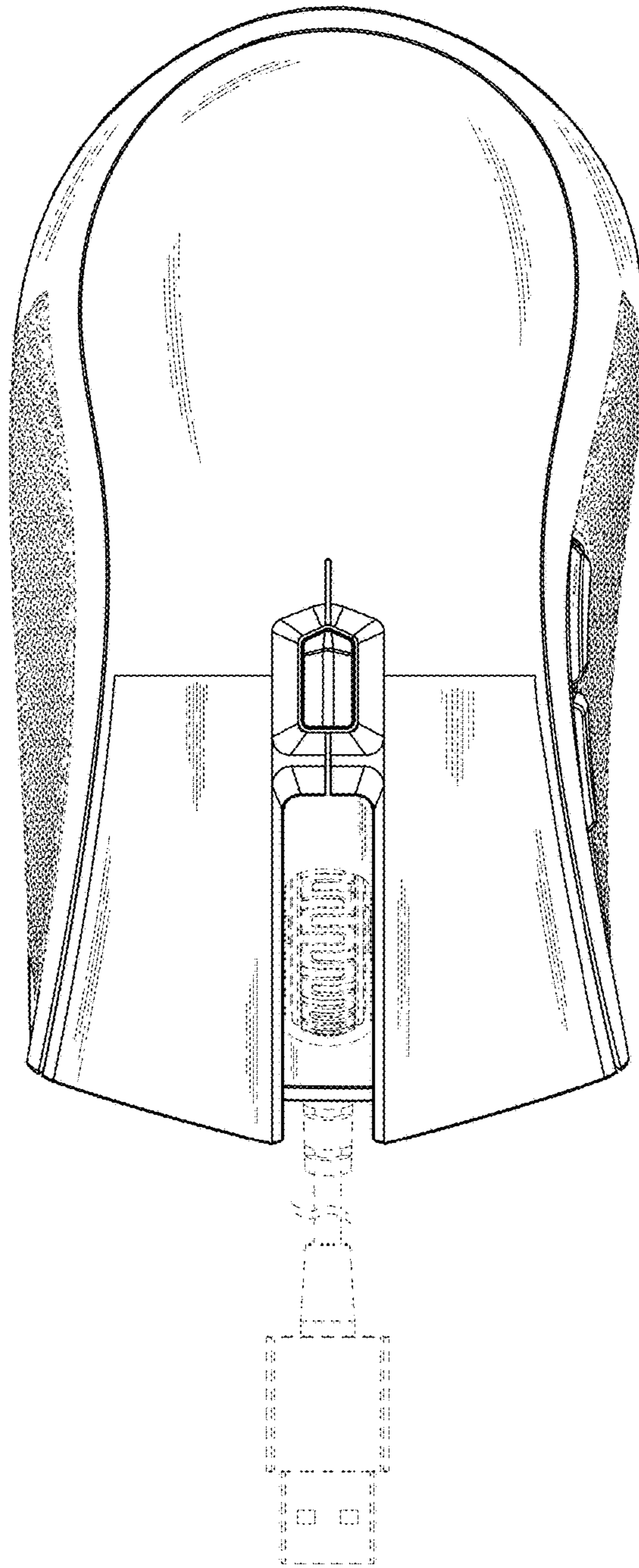


FIG. 9



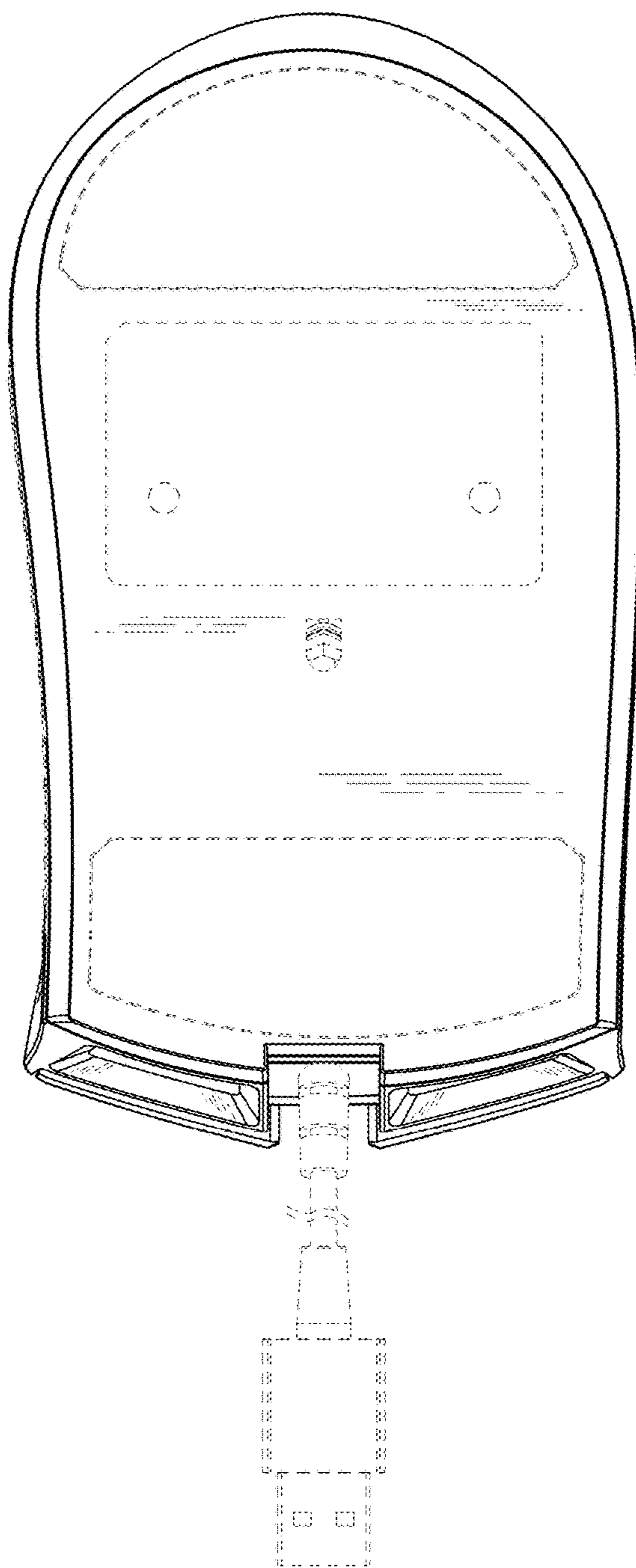


FIG. 10

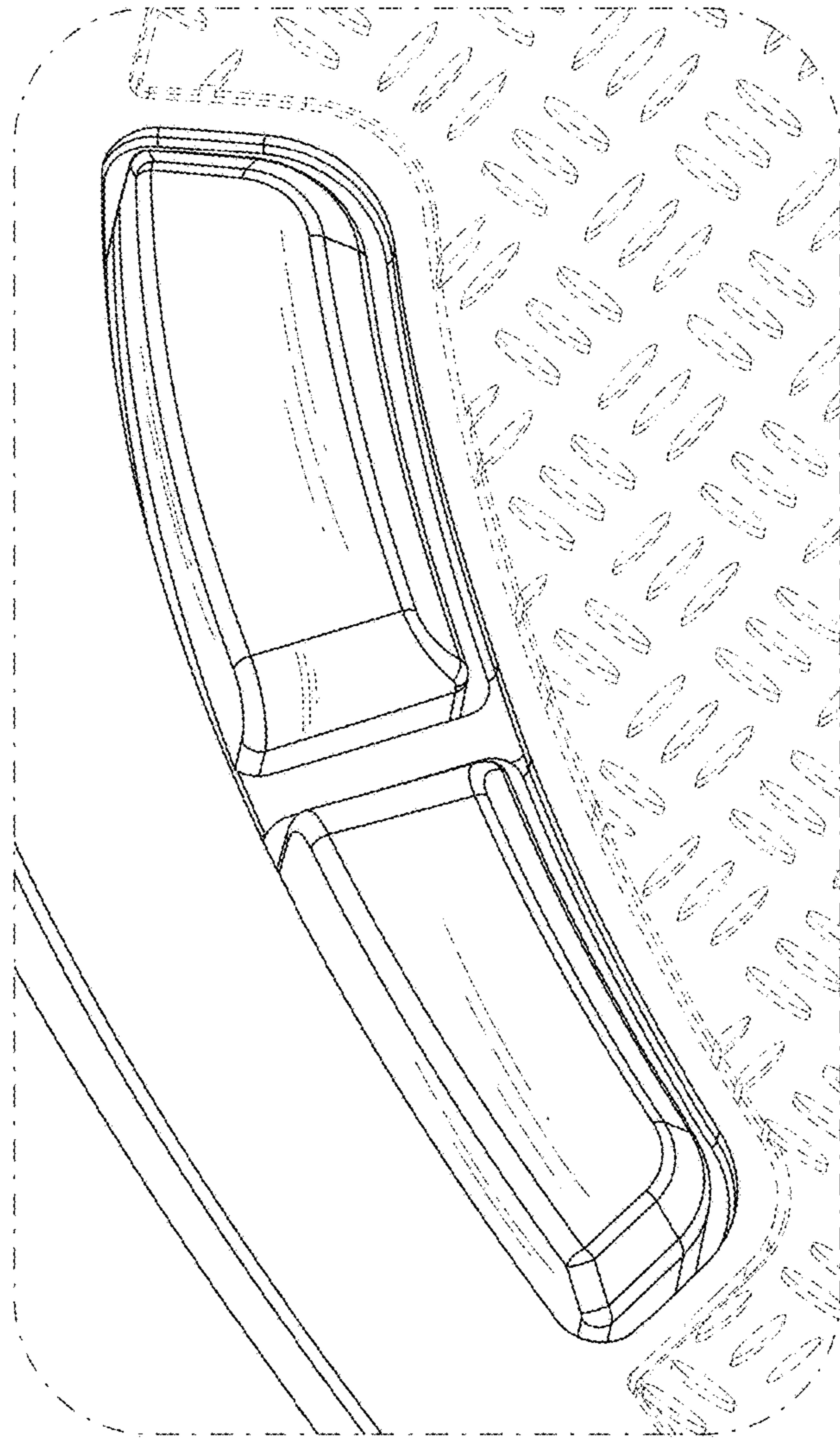


FIG. 11