



US00D845947S

(12) **United States Design Patent** (10) **Patent No.:** **US D845,947 S**
Raken et al. (45) **Date of Patent:** **** Apr. 16, 2019**

(54) **TABLET**
(71) Applicant: **Microsoft Corporation**, Redmond, WA (US)
(72) Inventors: **Jan Raken**, Seattle, WA (US); **Young Soo Kim**, Seattle, WA (US)
(73) Assignee: **Microsoft Corporation**, Redmond, WA (US)

D705,778 S * 5/2014 Groene D14/341
D754,655 S * 4/2016 Groene D14/341
D763,252 S * 8/2016 Lee D14/341
D782,469 S * 3/2017 Raken D14/341
D782,470 S * 3/2017 Raken D14/341
D782,471 S * 3/2017 Nuk D14/341
D783,625 S * 4/2017 Okuley D14/447
D798,292 S * 9/2017 Groene D14/341

(**) Term: **15 Years**

(21) Appl. No.: **29/541,181**

(22) Filed: **Sep. 30, 2015**

(51) **LOC (11) Cl.** **14-02**

(52) **U.S. Cl.** **D14/341**
USPC

(58) **Field of Classification Search**

USPC D14/315-318, 341-347, 420, 426, 129,
D14/130, 496, 137, 138 R, 138 AA,
D14/138 C, 138 G, 147, 203.1, 203.3,
D14/204.4, 203.7, 218, 248, 388, 389;
D10/50, 65, 104.1; D21/329, 330;
D6/308, 310

CPC G06F 3/0485; G06F 3/0488; G06F 1/1613;
G06F 1/1624; G06F 1/1626; G06F 1/165;
H04M 1/0202; H04M 1/0264; H04M
1/0214; H04M 1/0279; H04M 1/0281;
H04M 1/0283; H04M 1/72544

See application file for complete search history.

(56) **References Cited**

U.S. PATENT DOCUMENTS

D558,460 S * 1/2008 Yu D14/341
D678,271 S * 3/2013 Chiu D14/341
D678,877 S * 3/2013 Groene D14/341
D705,776 S * 5/2014 Groene D14/341
D705,777 S * 5/2014 Groene D14/341

FOREIGN PATENT DOCUMENTS

KR 3008018220001 6/2015

OTHER PUBLICATIONS

Sep. 6, 2016—(JP) Office Action—App 2016-005779.

(Continued)

Primary Examiner — Katie Jane Stofko

(74) *Attorney, Agent, or Firm* — Banner & Witcoff, Ltd.

(57) **CLAIM**

The ornamental design for a tablet, as shown and described.

DESCRIPTION

FIG. 1 is a front perspective view of a tablet showing our new design;

FIG. 2 is a rear perspective view thereof;

FIG. 3 is a bottom perspective view thereof;

FIG. 4 is a rear view thereof;

FIG. 5 is a front view thereof;

FIG. 6 is a right side view thereof;

FIG. 7 is a right side view thereof identifying features of FIG. 8;

FIG. 8 is an enlarged view of features shown in FIG. 7;

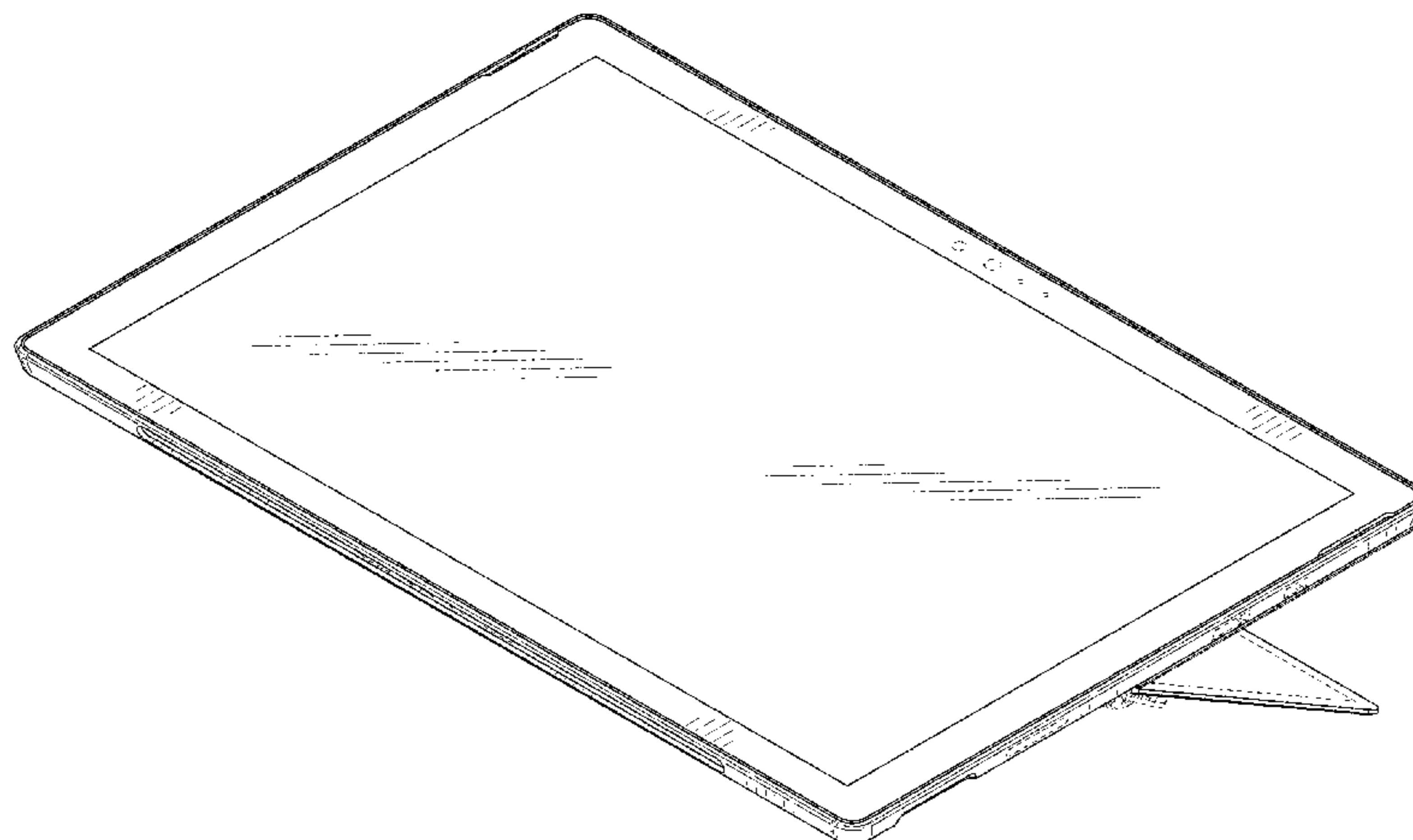
FIG. 9 is a left side view thereof;

FIG. 10 is a top view thereof; and,

FIG. 11 is a bottom view thereof.

The broken lines in the drawings illustrate portions of the tablet that form no part of the claimed design.

1 Claim, 8 Drawing Sheets



(56)

References Cited

OTHER PUBLICATIONS

“Surface Pro 3”, Retrieved From: <https://web.archive.org/web/20140724150728/http://kakaku.com/article/pr/14/07_surface/index.html>, Jul. 24, 2014, 13 Pages.

“Office Action Issued in Japanese Patent Application No. 2016-005779”, dated Oct. 24, 2017, 5 Pages.

* cited by examiner

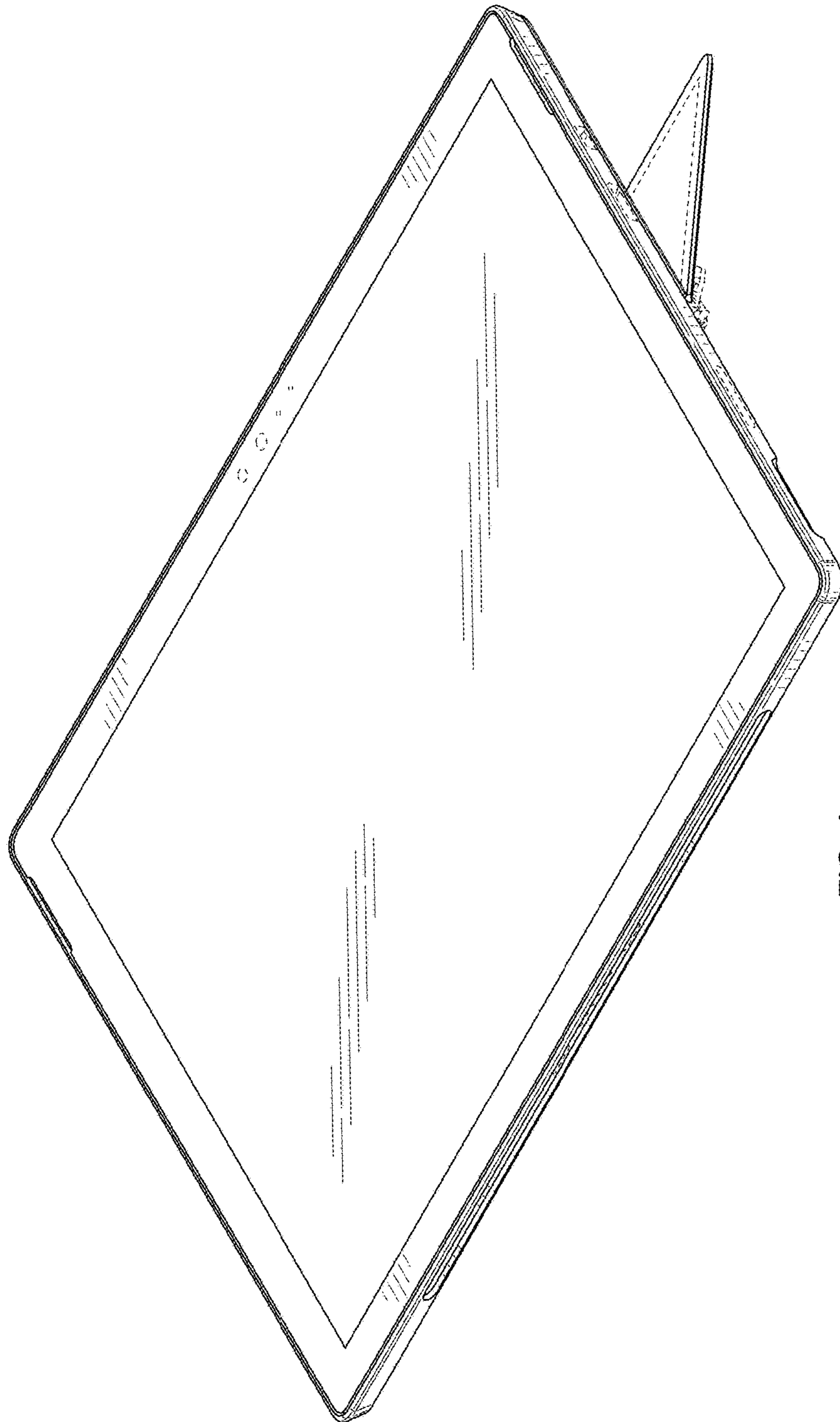


FIG. 1

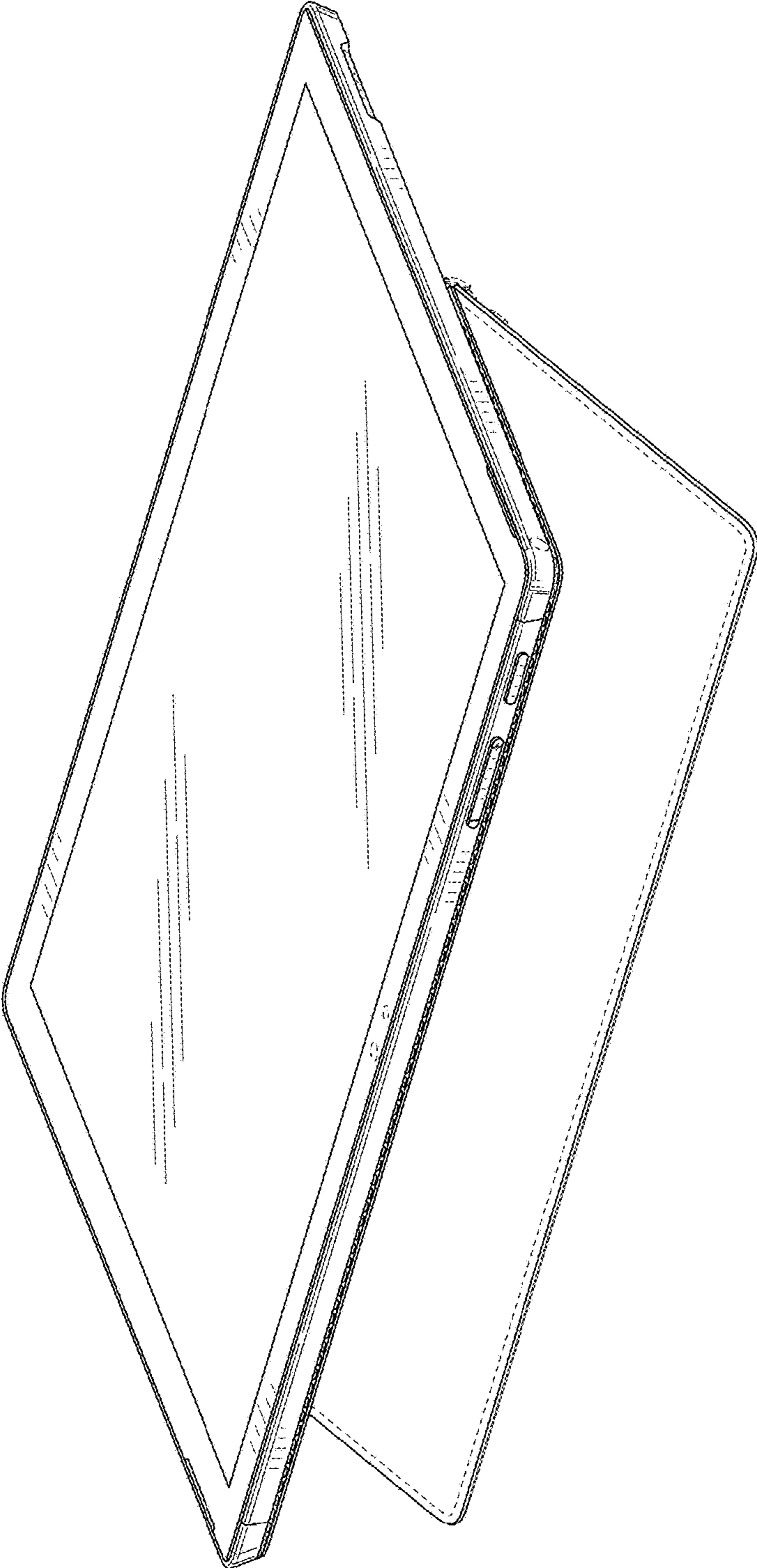


FIG. 2

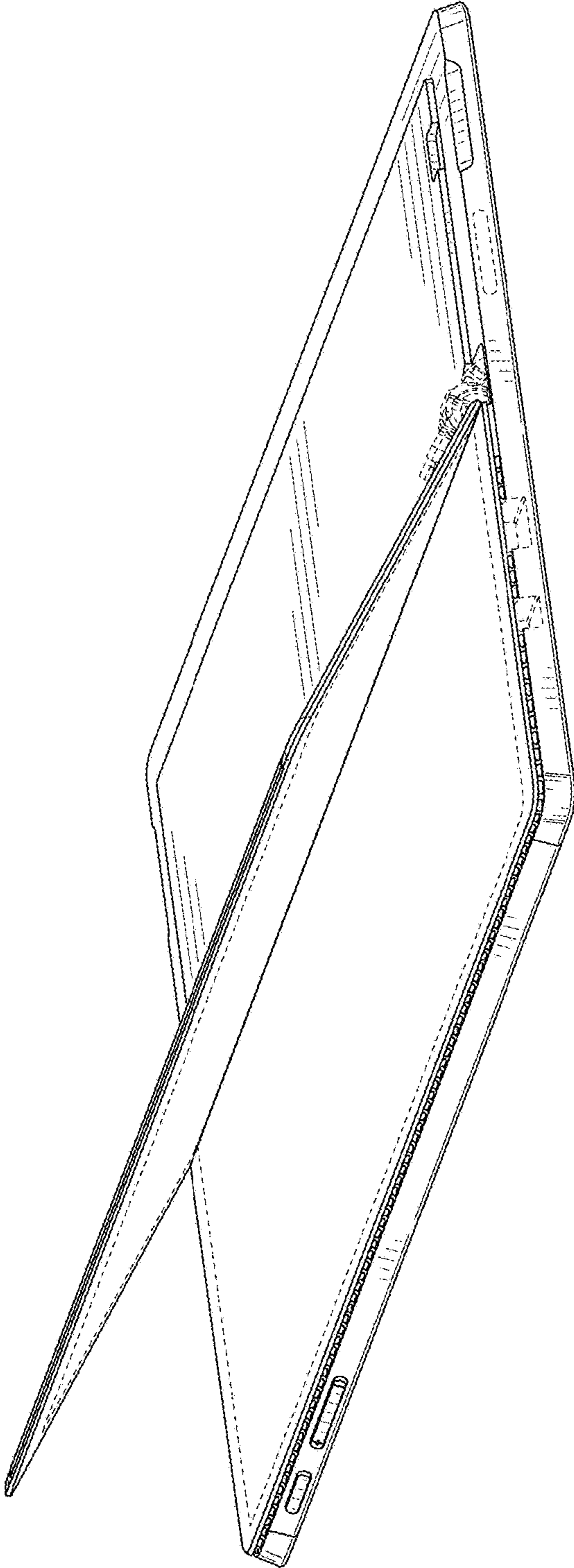


FIG. 3

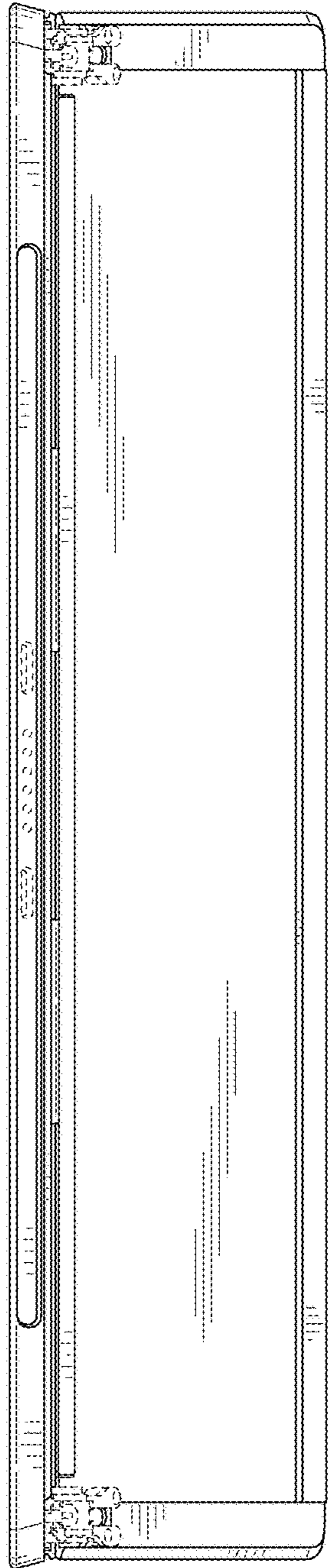


FIG. 4

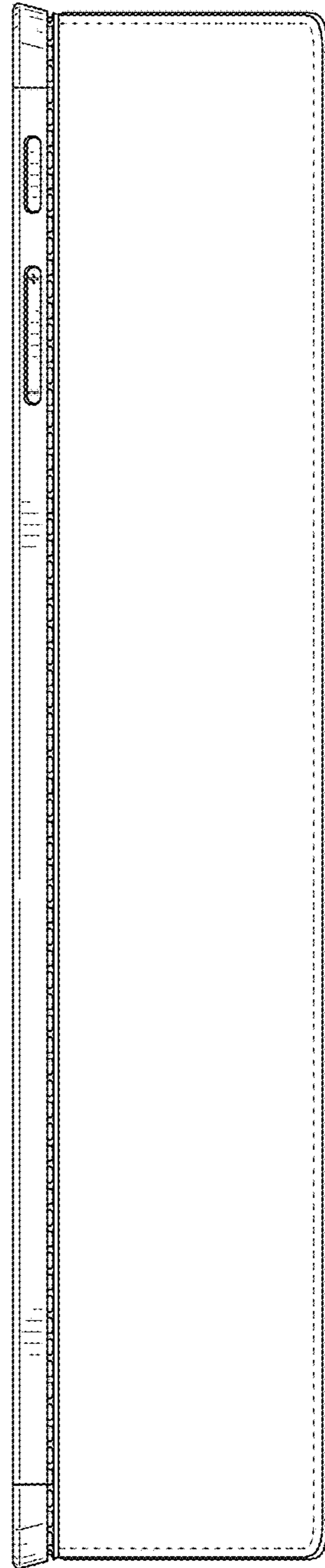


FIG. 5

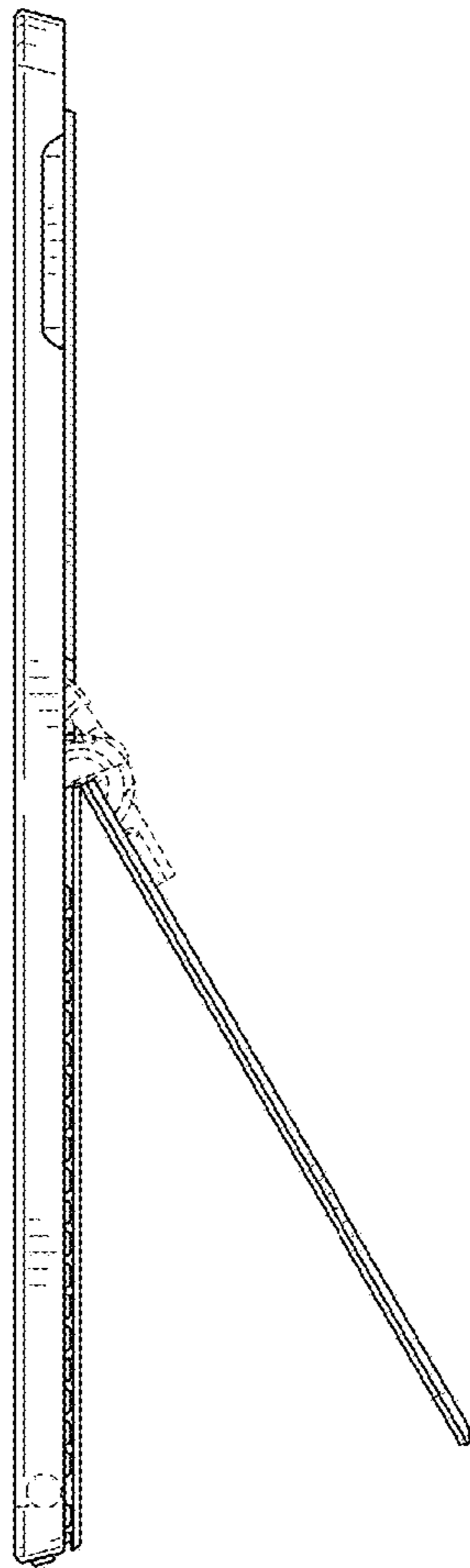


FIG. 6

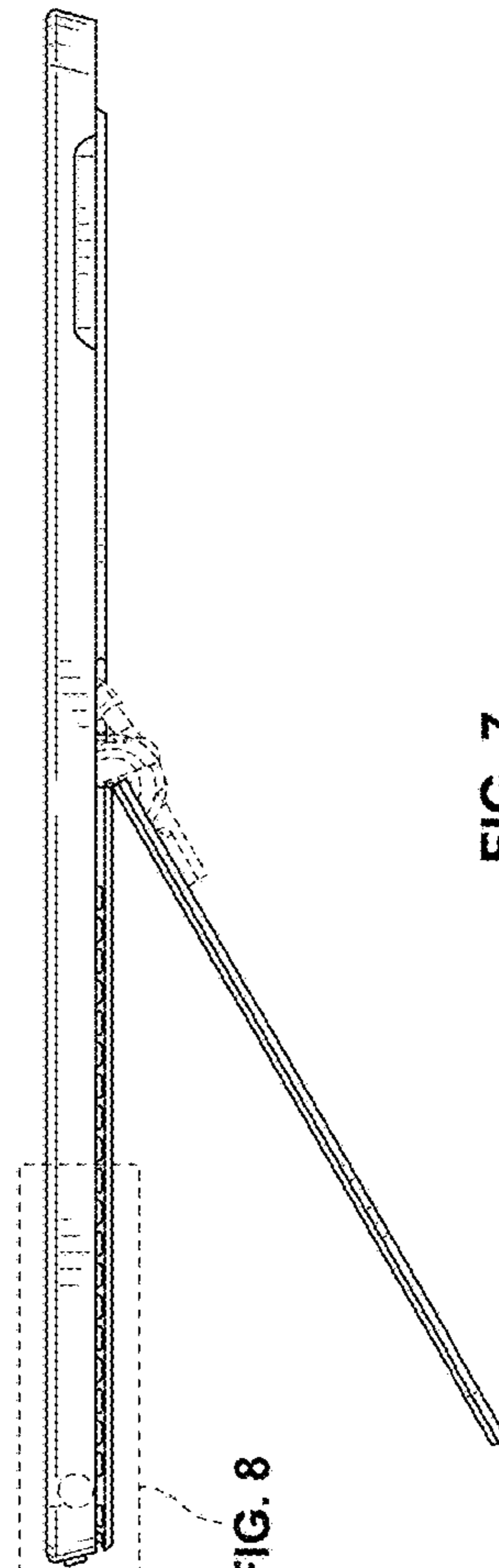


FIG. 7

FIG. 8

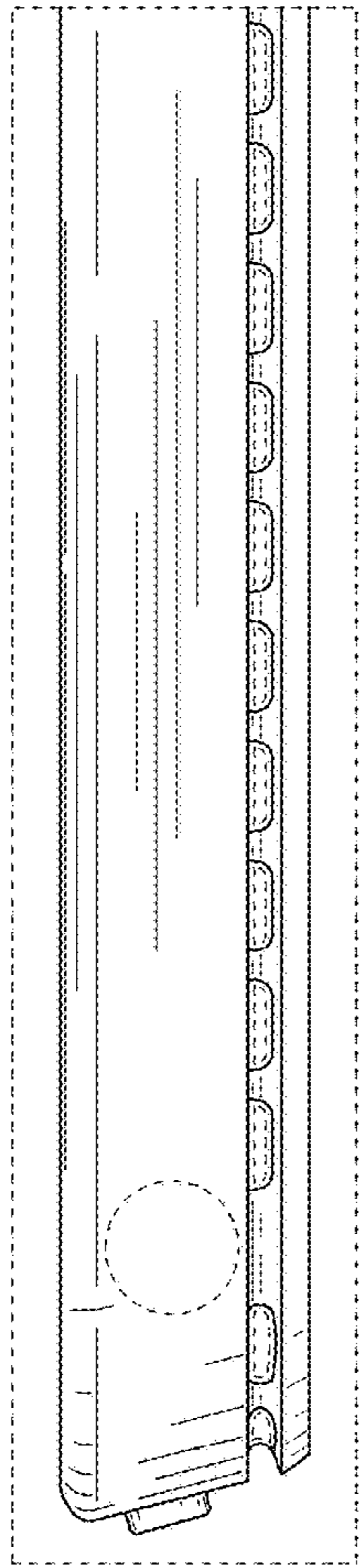


FIG. 8

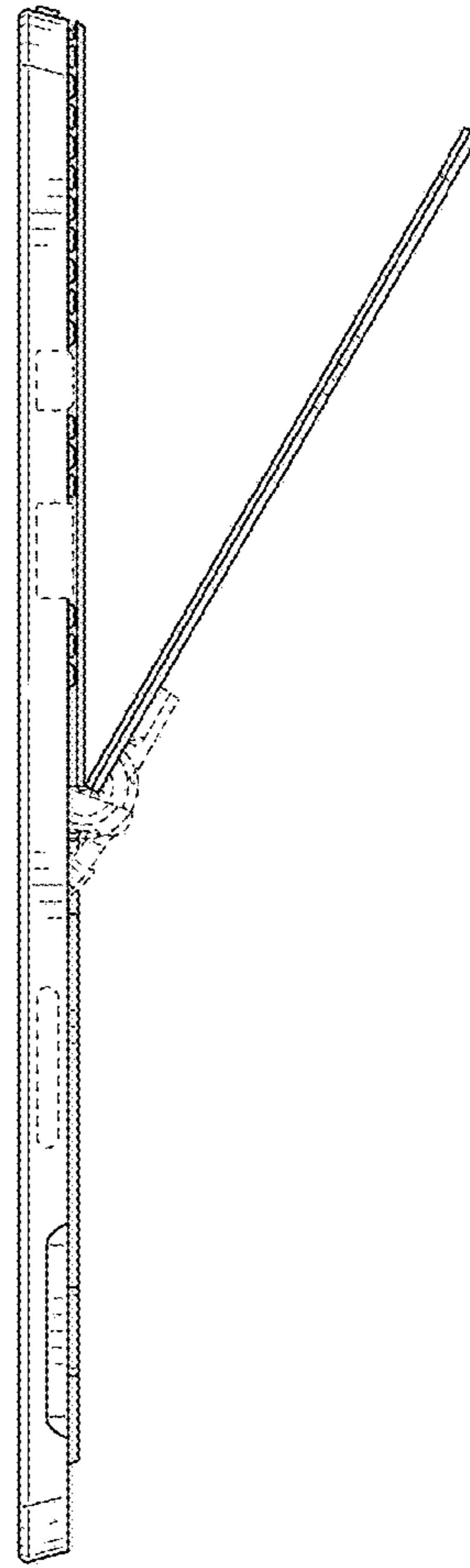


FIG. 9

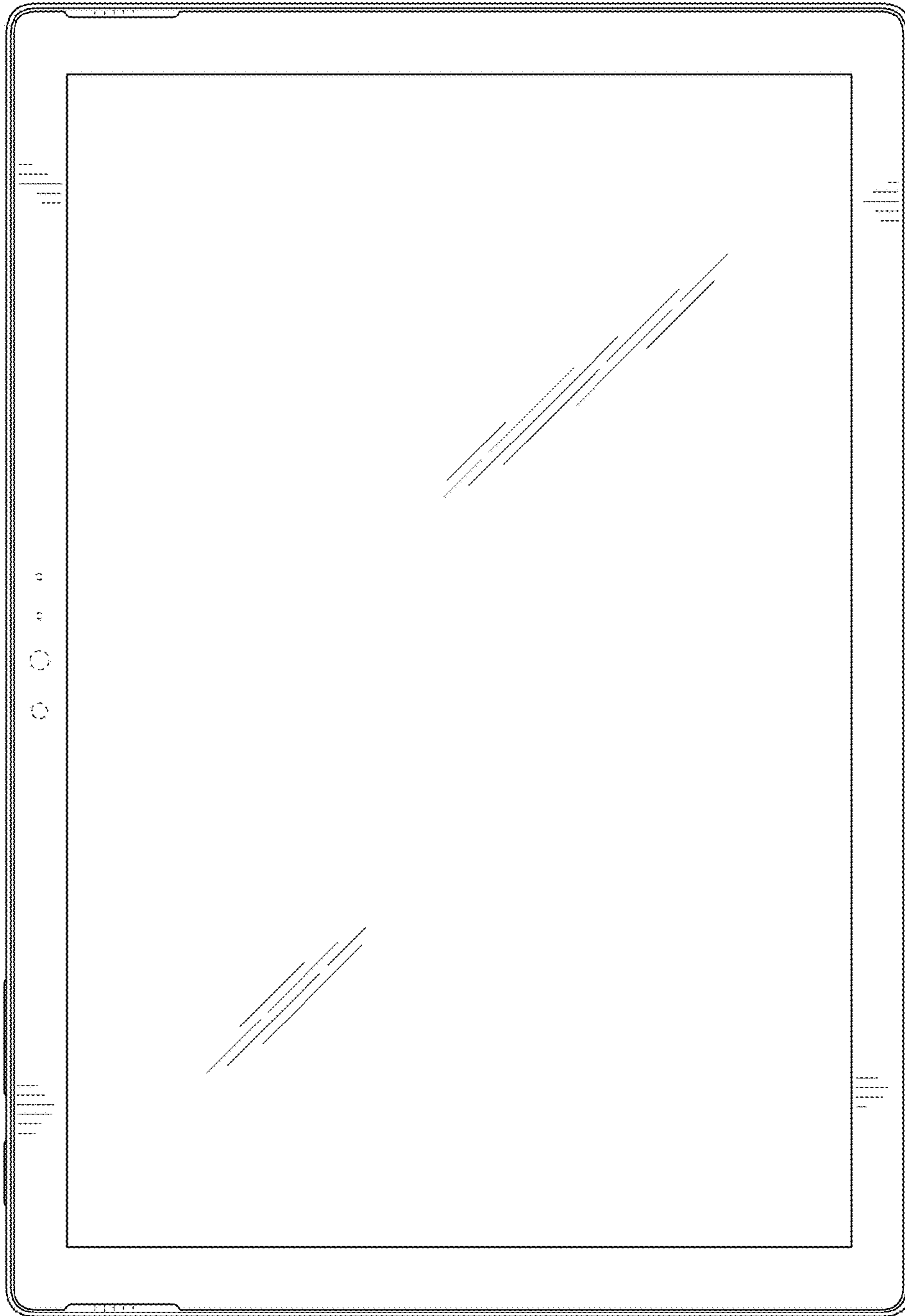


FIG. 10

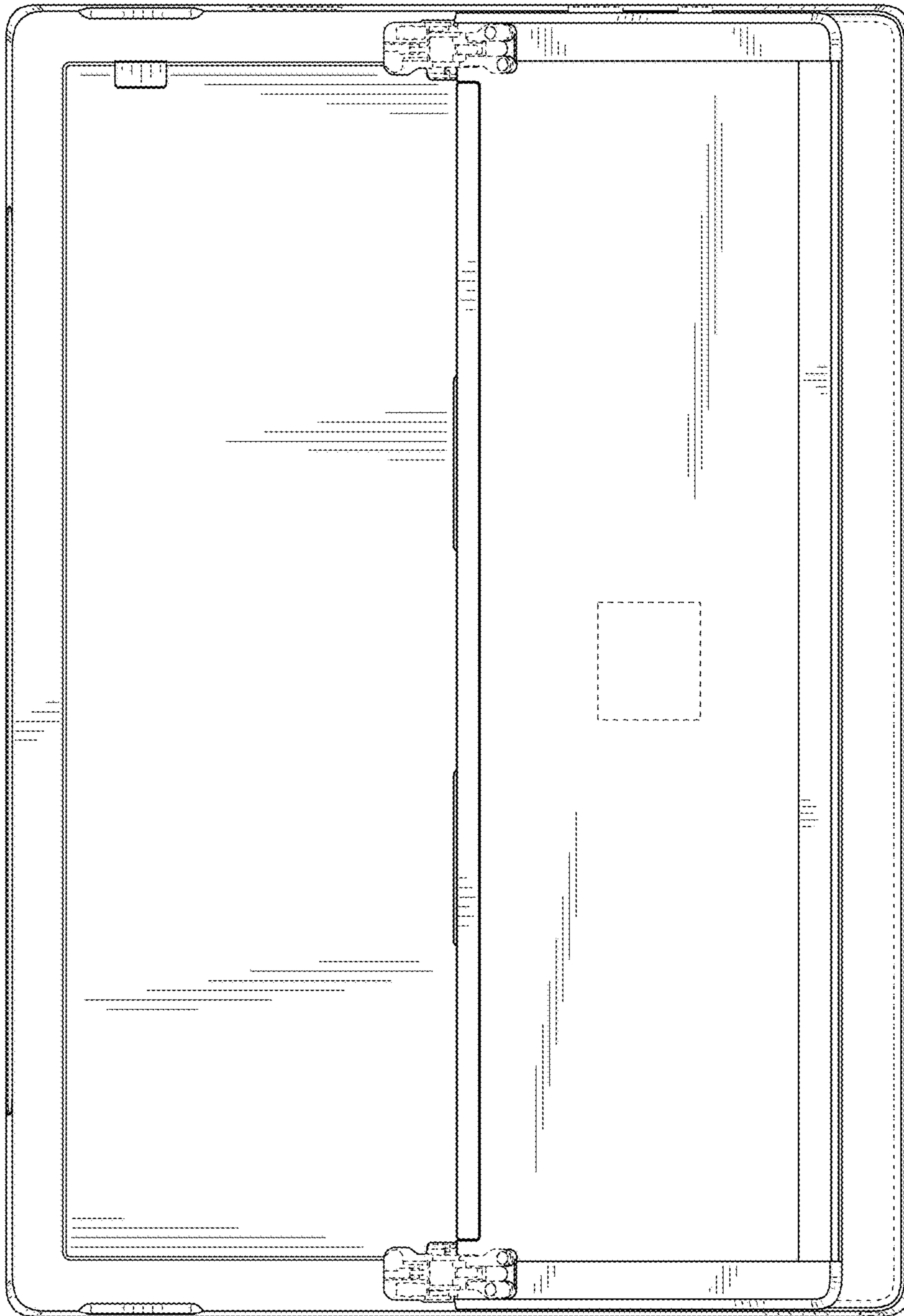


FIG. 11