



US00D845946S

(12) **United States Design Patent**
Takahashi

(10) **Patent No.:** **US D845,946 S**

(45) **Date of Patent:** **** Apr. 16, 2019**

(54) **WIRELESS COMMUNICATION DEVICE**

(71) Applicant: **JVC KENWOOD Corporation,**
Kanagawa (JP)

(72) Inventor: **Noriyuki Takahashi,** Yokohama (JP)

(73) Assignee: **JVC KENWOOD CORPORATION,**
Kanagawa (JP)

(**) Term: **15 Years**

(21) Appl. No.: **29/629,500**

(22) Filed: **Dec. 13, 2017**

(30) **Foreign Application Priority Data**

Jun. 13, 2017 (JP) D2017-012637

(51) **LOC (11) Cl.** **14-03**

(52) **U.S. Cl.**
USPC **D14/257**

(58) **Field of Classification Search**

USPC D12/192, 195, 415, 420; D14/154, 157,
D14/168-171, 188-198, 257-258, 496;
248/27.1, 27.3, 558; 455/347, 350

CPC B60R 11/02; B60K 37/02; B60K 37/04;
B60K 37/06; B60K 35/00; H04B 1/06;
H04B 1/08; H04B 1/082

See application file for complete search history.

(56) **References Cited**

U.S. PATENT DOCUMENTS

D346,609 S * 5/1994 Person D14/157

D364,876 S * 12/1995 Tokiyama D14/258

D427,591 S * 7/2000 Burghoff D14/258
D504,881 S * 5/2005 Kangasmaa D14/188
D575,266 S * 8/2008 Nishida D14/198
D599,775 S * 9/2009 Onoue D14/188
D608,340 S * 1/2010 Nishizawa D14/258
D635,969 S * 4/2011 Iwamoto D14/258
D678,265 S * 3/2013 Tran D14/258
D678,266 S * 3/2013 Tran D14/258
D689,905 S * 9/2013 Moriya D14/496

* cited by examiner

Primary Examiner — Sandra L Morris

(74) *Attorney, Agent, or Firm* — Cantor Colburn LLP

(57) **CLAIM**

The ornamental design for a wireless communication device, as shown and described.

DESCRIPTION

FIG. 1 is a perspective view of the wireless communication device.

FIG. 2 is a front view of FIG. 1;

FIG. 3 is a back side view of FIG. 1;

FIG. 4 is a top view of FIG. 1;

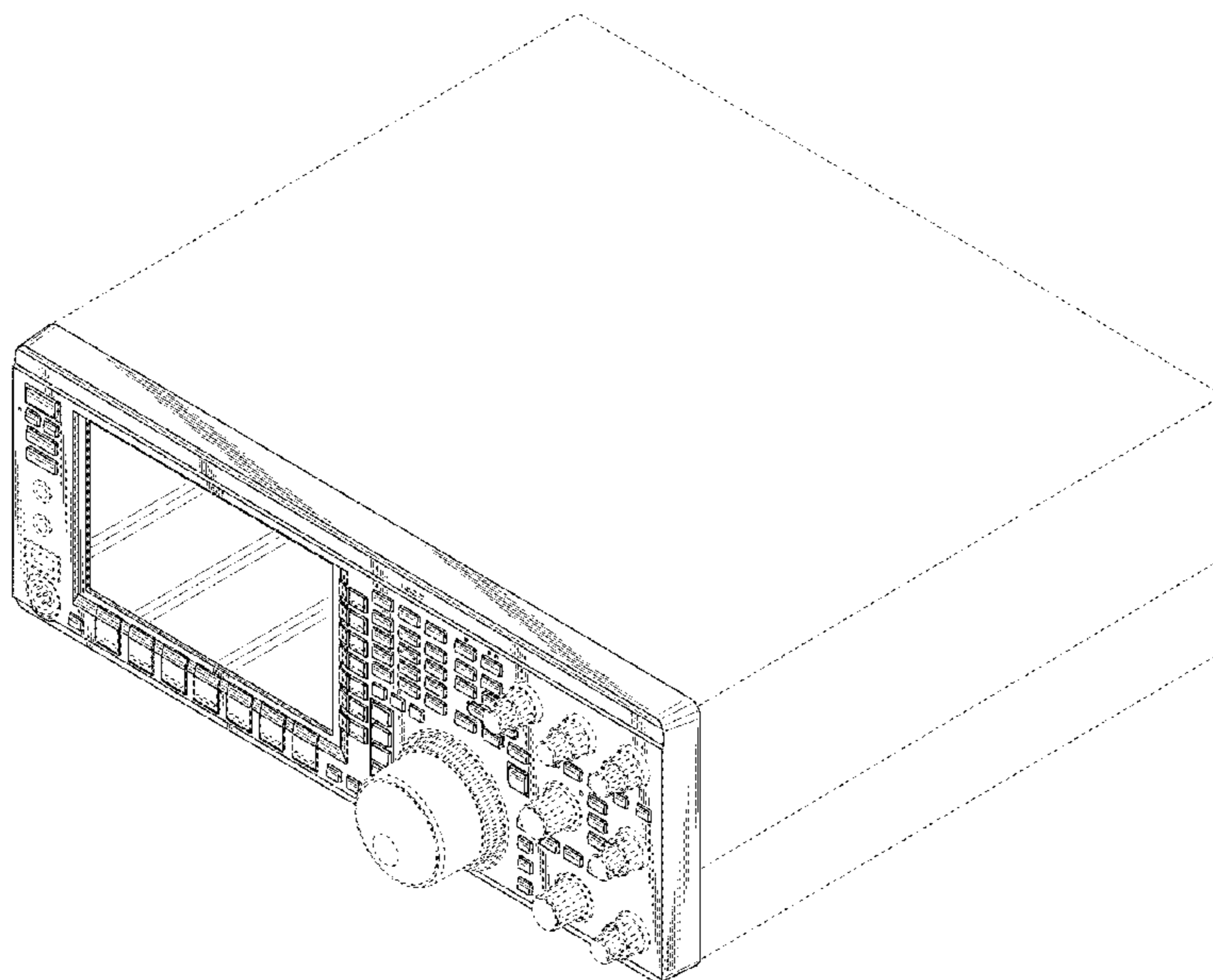
FIG. 5 is a bottom view of FIG. 1;

FIG. 6 is a right side view of FIG. 1; and,

FIG. 7 is a left side view of FIG. 1.

The broken lines in the drawings are for the purpose of illustrating portions of the wireless communication device that form no part of the claimed design.

1 Claim, 7 Drawing Sheets



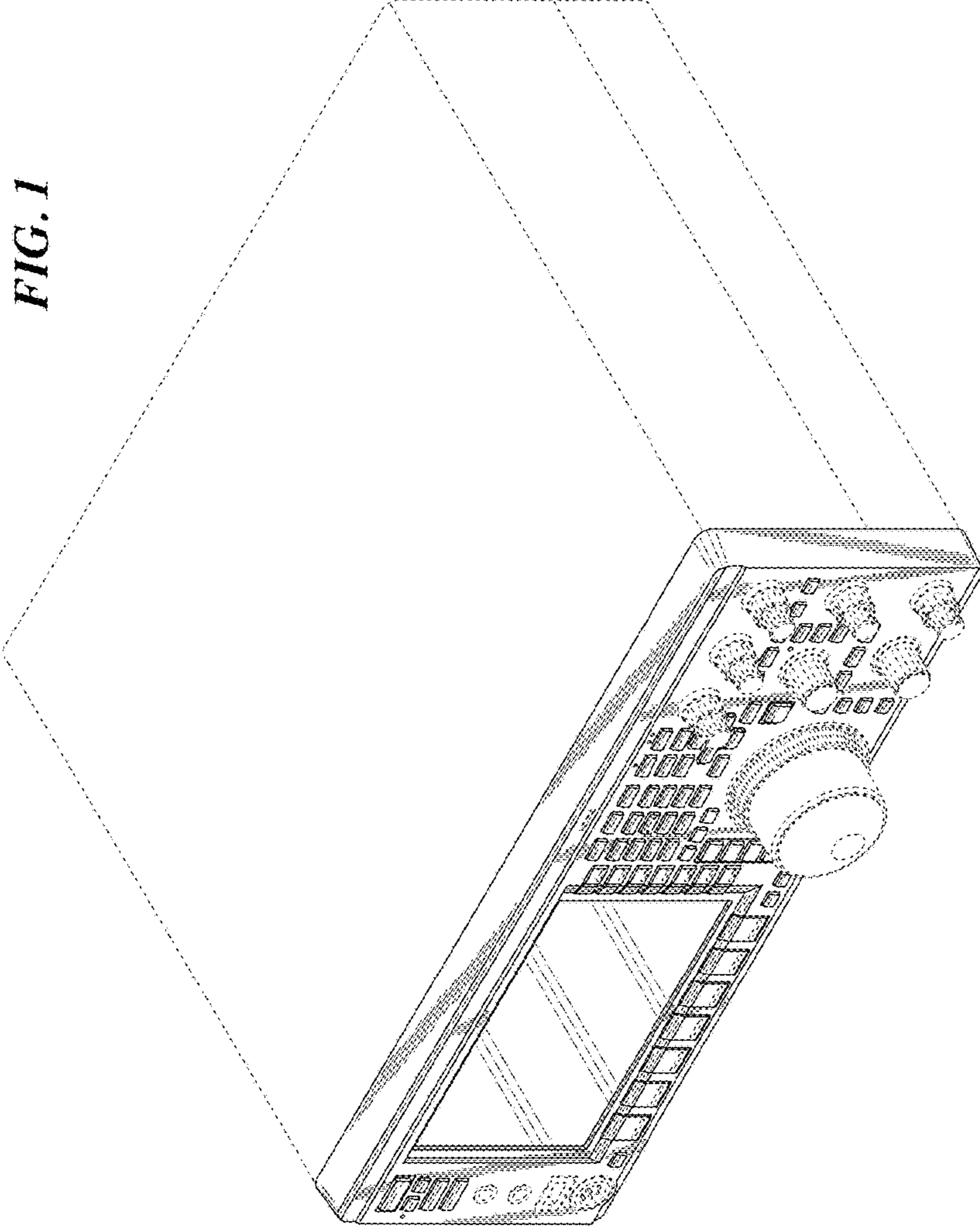


FIG. 1

FIG. 2

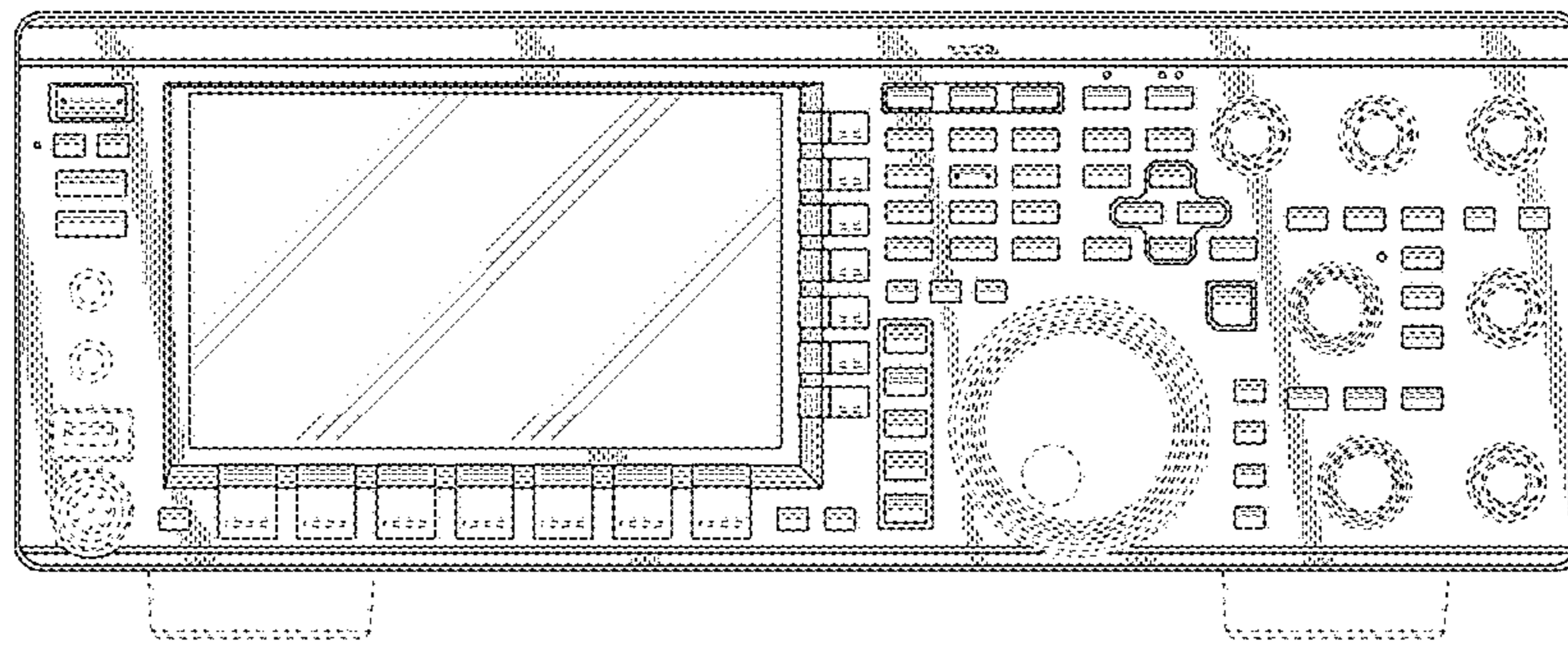


FIG. 3

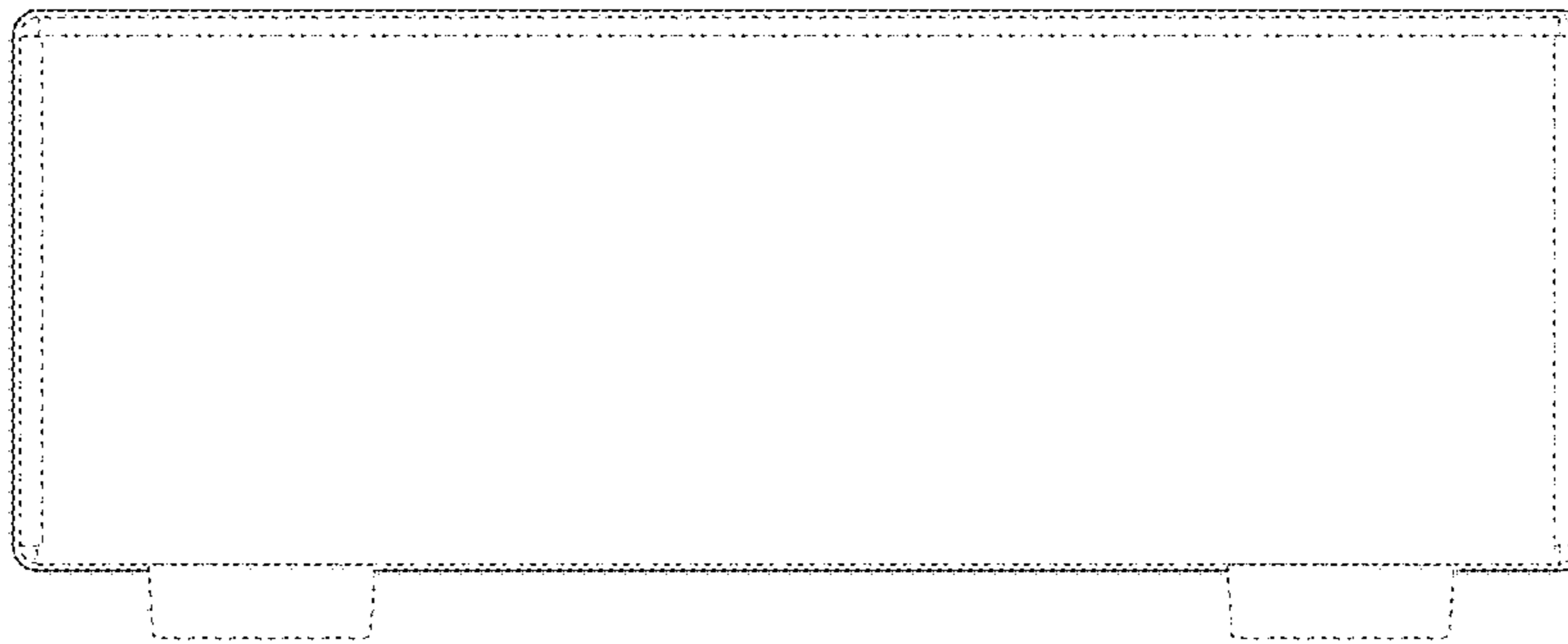


FIG. 4

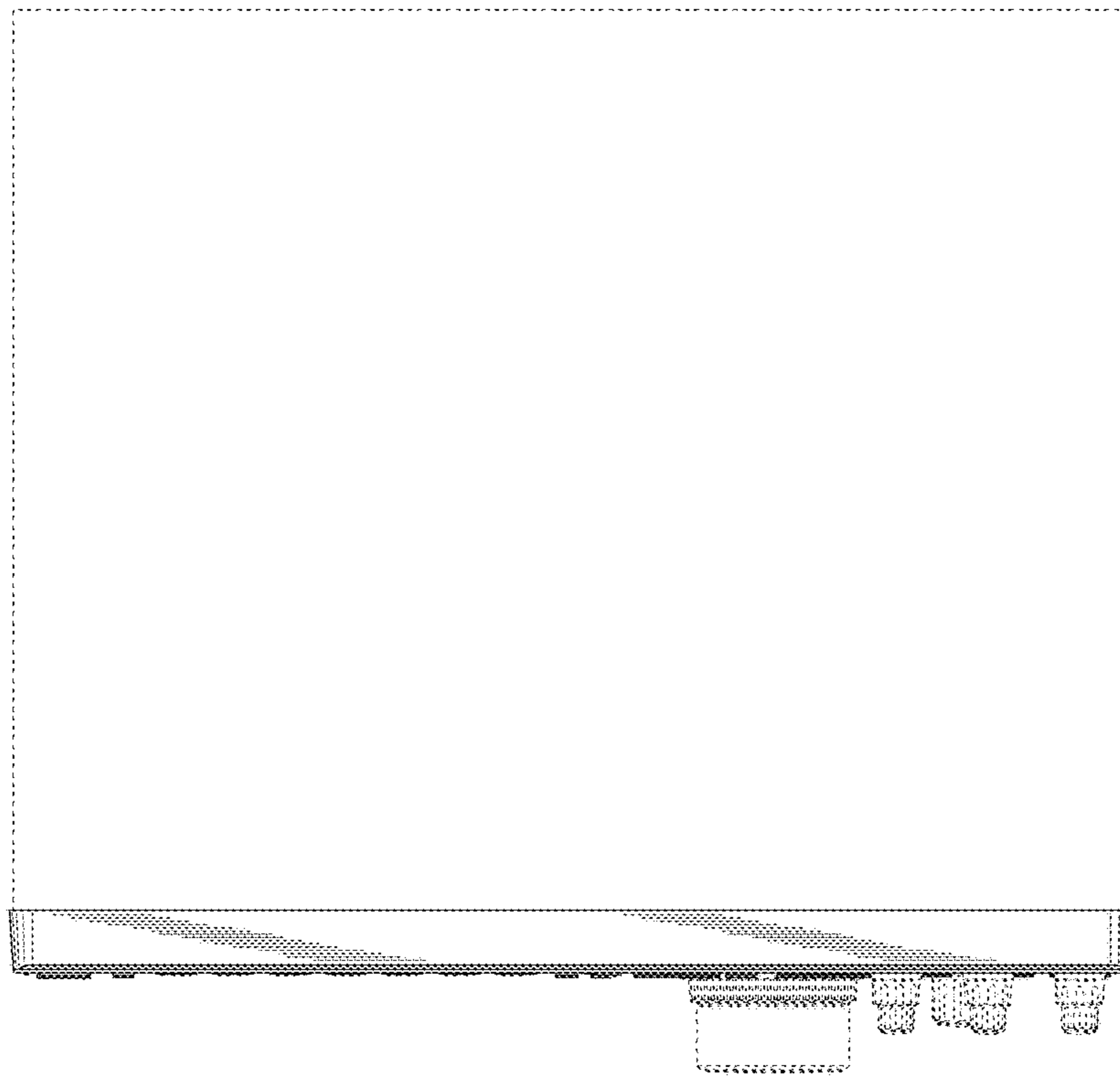


FIG. 5

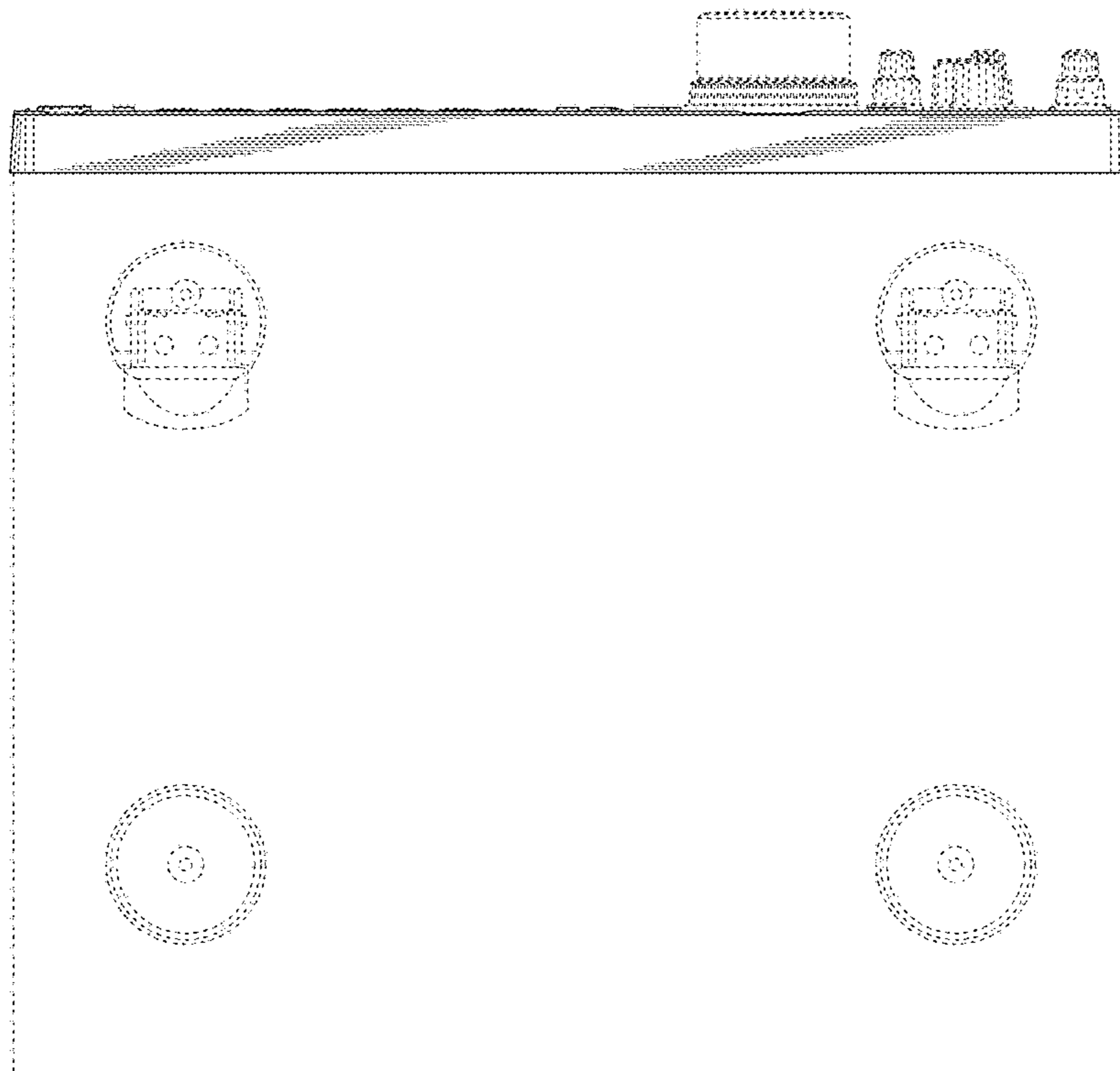


FIG. 6



FIG. 7

