



US00D845944S

(12) **United States Design Patent** (10) **Patent No.:** **US D845,944 S**  
**Gronewoller et al.** (45) **Date of Patent:** **\*\* Apr. 16, 2019**

- (54) **CASE FOR A SMARTPHONE**
- (71) Applicant: **OTTER PRODUCTS, LLC**, Fort Collins, CO (US)
- (72) Inventors: **Peter J Gronewoller**, Fort Collins, CO (US); **Hsiao Lu Sun**, Fort Collins, CO (US); **Jeremy L. Dennis**, Fort Collins, CO (US)
- (73) Assignee: **Otter Products, LLC**, Fort Collins, CO (US)
- (\*\*) Term: **15 Years**
- (21) Appl. No.: **29/597,583**
- (22) Filed: **Mar. 17, 2017**
- (51) **LOC (11) Cl.** ..... **14-03**
- (52) **U.S. Cl.**  
 USPC ..... **D14/250**
- (58) **Field of Classification Search**  
 USPC ..... D3/201, 218, 226, 227, 247, 249, 250, D3/269, 303; D13/103, 107, 108, 119; D14/137, 138 R, 138 AA, 138 C, 138 G, D14/203.3-203.7, 217, 238.1, 247, 248, D14/250-254, 299, 440  
 CPC ..... H04B 1/3888; H04M 1/0283; H04M 1/0202; A45C 1/06; A45C 2011/002; A45C 11/00; A45F 2005/028; A45F 2200/0525  
 See application file for complete search history.

(56) **References Cited**

**U.S. PATENT DOCUMENTS**

- D459,346 S 6/2002 Powell  
 D528,110 S \* 9/2006 Cohn ..... D14/248  
 D551,856 S \* 10/2007 Ko ..... D3/201  
 D556,681 S \* 12/2007 Kim ..... D13/103  
 7,609,512 B2 10/2009 Richardson et al.  
 D606,305 S \* 12/2009 Lee ..... D3/269

- D621,821 S 8/2010 Richardson et al.  
 D623,639 S 9/2010 Richardson et al.  
 D624,533 S 9/2010 Richardson et al.  
 D628,994 S \* 12/2010 Griffin, Jr. .... D14/250  
 D632,685 S 2/2011 Richardson et al.  
 D632,686 S 2/2011 Magness et al.  
 D634,741 S 3/2011 Richardson et al.  
 D637,589 S 5/2011 Willes et al.  
 D637,591 S 5/2011 Willes et al.  
 D638,411 S 5/2011 Willes et al.  
 D638,413 S 5/2011 Magness et al.  
 D638,828 S 5/2011 Melanson et al.  
 D638,830 S 5/2011 Magness et al.  
 D640,680 S 6/2011 Magness et al.  
 D641,013 S 7/2011 Richardson et al.  
 D642,171 S 7/2011 Melanson et al.  
 D643,422 S 8/2011 Smith et al.  
 D643,837 S 8/2011 Smith et al.

(Continued)

*Primary Examiner* — Susan E Krakower  
*Assistant Examiner* — L. A. Grabenstetter

(57) **CLAIM**

The ornamental design for a case for a smartphone, as shown and described.

**DESCRIPTION**

FIG. 1 is a front isometric view of a case for a smartphone; FIG. 2 is a rear isometric view thereof; FIG. 3 is a front view thereof; FIG. 4 is a rear view thereof; FIG. 5 is a left view thereof; FIG. 6 is a right view thereof; FIG. 7 is a top view thereof; and, FIG. 8 is a bottom view thereof.

The dot-dash broken line represents a boundary of the claimed design. The dash-dash broken lines depict unclaimed subject matter. The broken lines and unshaded surfaces bounded by broken lines form no part of the claimed design.

**1 Claim, 6 Drawing Sheets**



(56)

References Cited

U.S. PATENT DOCUMENTS

D644,637 S	9/2011	Smith et al.	
D644,639 S	9/2011	Weller et al.	
D651,203 S	12/2011	Michie et al.	
D651,204 S *	12/2011	Wibby .....	D14/250
D651,594 S	1/2012	Melanson et al.	
D653,248 S *	1/2012	Fahrendorff .....	D14/250
D653,658 S *	2/2012	Fahrendorff .....	D14/250
D654,484 S	2/2012	Chang et al.	
D654,485 S	2/2012	Chang et al.	
D654,487 S	2/2012	Weller et al.	
D654,492 S	2/2012	Melanson et al.	
D656,495 S	3/2012	Andre et al.	
D662,924 S	7/2012	Melanson et al.	
D673,541 S	1/2013	Weller et al.	
D673,542 S	1/2013	Melanson et al.	
D673,543 S	1/2013	Melanson et al.	
D673,545 S	1/2013	Magness et al.	
D673,552 S	1/2013	Weller et al.	
D673,569 S	1/2013	Smith et al.	
D673,939 S	1/2013	Chang et al.	
D673,940 S	1/2013	Chang et al.	
D673,941 S	1/2013	Melanson et al.	
D674,791 S	1/2013	Melanson et al.	
D675,603 S	2/2013	Melanson et al.	
D675,604 S	2/2013	Limber et al.	
D675,606 S	2/2013	Adelman et al.	
D676,433 S	2/2013	Smith et al.	
D676,435 S	2/2013	Chang et al.	
D676,838 S	2/2013	Magness et al.	
D676,840 S	2/2013	Chang et al.	
D676,845 S	2/2013	Melanson et al.	
D677,251 S	3/2013	Melanson et al.	
D680,522 S	4/2013	Melanson	
D681,022 S	4/2013	Chang et al.	
D681,023 S	4/2013	Weller et al.	
D681,613 S	5/2013	Magness et al.	
D681,623 S	5/2013	Chang et al.	
D683,338 S	5/2013	Wilson et al.	
D683,341 S	5/2013	Melanson et al.	
D684,568 S	6/2013	Fitzgerald et al.	
D685,780 S	7/2013	Murchison et al.	
D694,244 S	11/2013	Magness et al.	
D695,297 S	12/2013	Sun et al.	
D695,744 S	12/2013	Weller et al.	
D697,903 S	1/2014	Witter et al.	
D697,905 S	1/2014	Chang et al.	
D698,344 S	1/2014	Weller et al.	
D698,345 S	1/2014	Chang et al.	
D699,715 S	2/2014	Fitzgerald et al.	
D703,199 S	4/2014	Smith	
D703,211 S	4/2014	Weller et al.	
D703,648 S	4/2014	Magness et al.	
D703,652 S	4/2014	Melanson et al.	
D703,653 S	4/2014	Brubaker et al.	
D703,654 S	4/2014	Melanson et al.	
D704,182 S	5/2014	Smith	
D704,687 S	5/2014	Northrup et al.	
D709,062 S	7/2014	Melanson et al.	
D709,063 S	7/2014	Chang et al.	
D709,488 S	7/2014	Bulkley et al.	
D709,868 S	7/2014	Witter et al.	
D710,346 S	8/2014	Smith et al.	
D716,281 S	10/2014	Melanson et al.	
D720,738 S	1/2015	Rodriguez et al.	
D720,740 S	1/2015	Wicks et al.	
D721,069 S	1/2015	Havens et al.	
D721,070 S	1/2015	Pickett et al.	
D721,358 S	1/2015	Pickett et al.	
D726,702 S *	4/2015	Umlauf .....	D14/250
D737,263 S *	8/2015	Armstrong .....	D14/250
D738,365 S	9/2015	Melanson et al.	
D741,844 S	10/2015	Rayner et al.	
D751,058 S	3/2016	Cocchia et al.	
D751,542 S	3/2016	Daniel	
D753,099 S	4/2016	Kim	
D756,910 S	5/2016	Gupta et al.	
D756,911 S	5/2016	Gupta et al.	
D756,977 S *	5/2016	Schriefer .....	D14/250
D761,239 S	7/2016	Kim	
D765,632 S	9/2016	Northrup et al.	
D765,635 S	9/2016	Chang et al.	
D765,641 S	9/2016	Bulkley et al.	
D765,643 S	9/2016	Witter et al.	
D766,819 S *	9/2016	Gjovik .....	D13/103
D767,551 S *	9/2016	Sasaki .....	D14/250
D771,027 S *	11/2016	Prstojevich .....	D14/250
D772,854 S	11/2016	Igarashi	
D772,857 S *	11/2016	Poon .....	D14/250
D773,447 S *	12/2016	Taylor .....	D14/250
D808,378 S	1/2018	Witter et al.	
D816,075 S	4/2018	Cavenagh et al.	
2010/0104814 A1	4/2010	Richardson et al.	
2013/0049142 A1	2/2013	Liu et al.	
2013/0273944 A1	10/2013	Wilson et al.	
2014/0247235 A1	9/2014	Lee	
2014/0360892 A1	12/2014	Lin	
2015/0244407 A1	8/2015	Peral	

\* cited by examiner

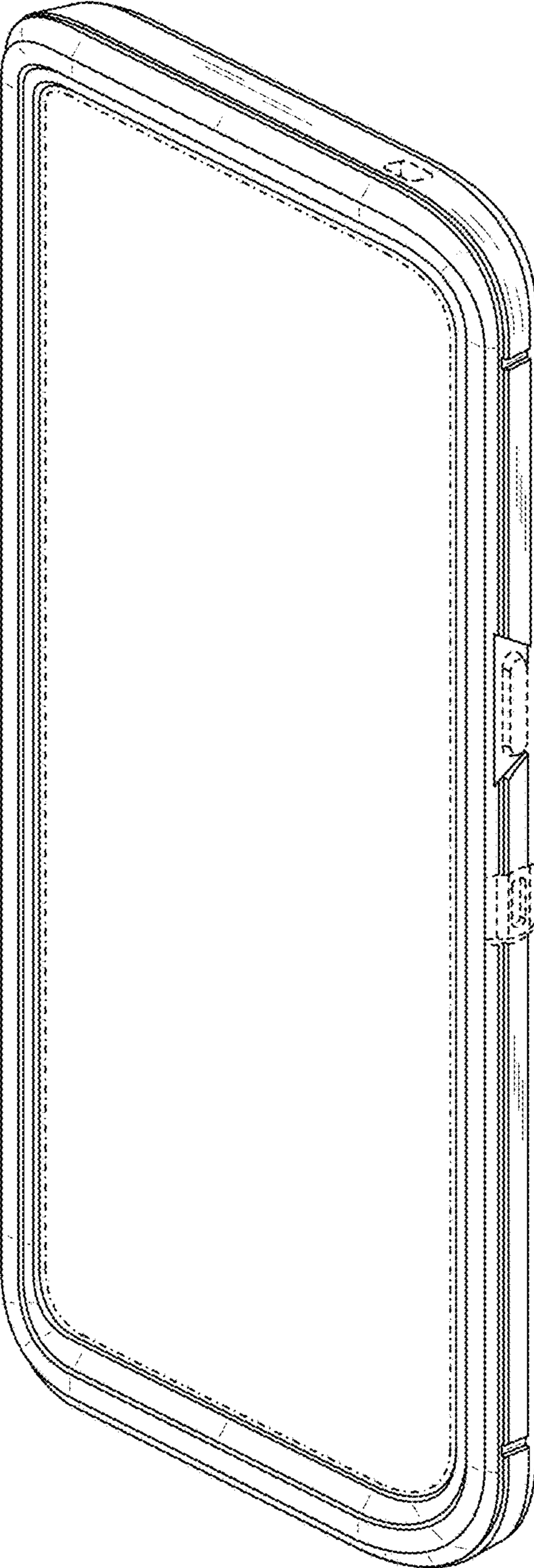


FIG. 1



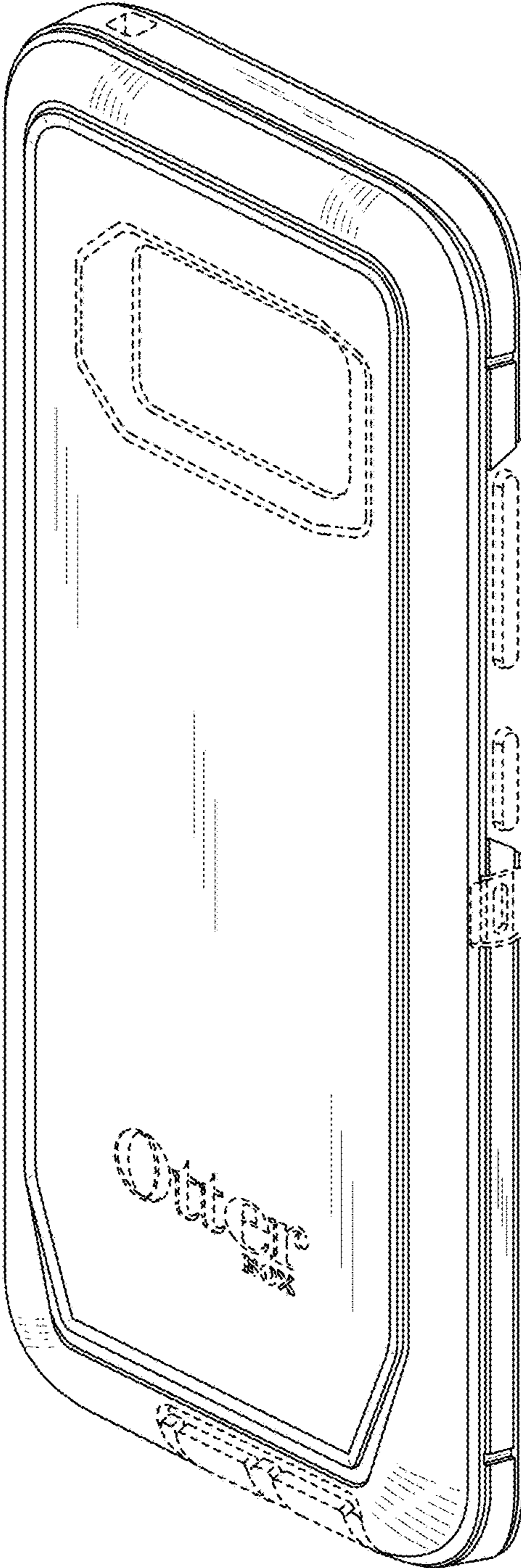


FIG. 2

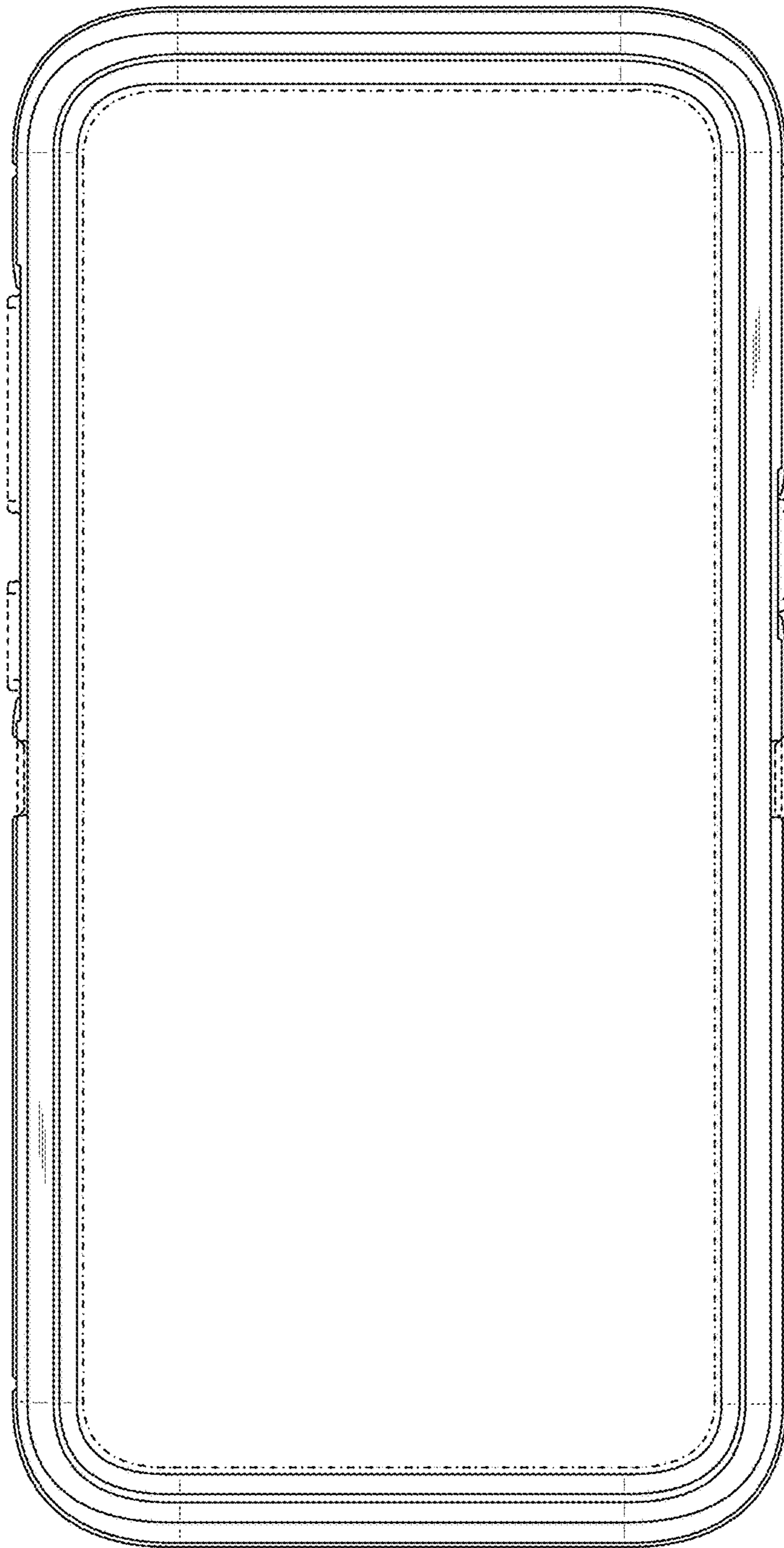


FIG. 3

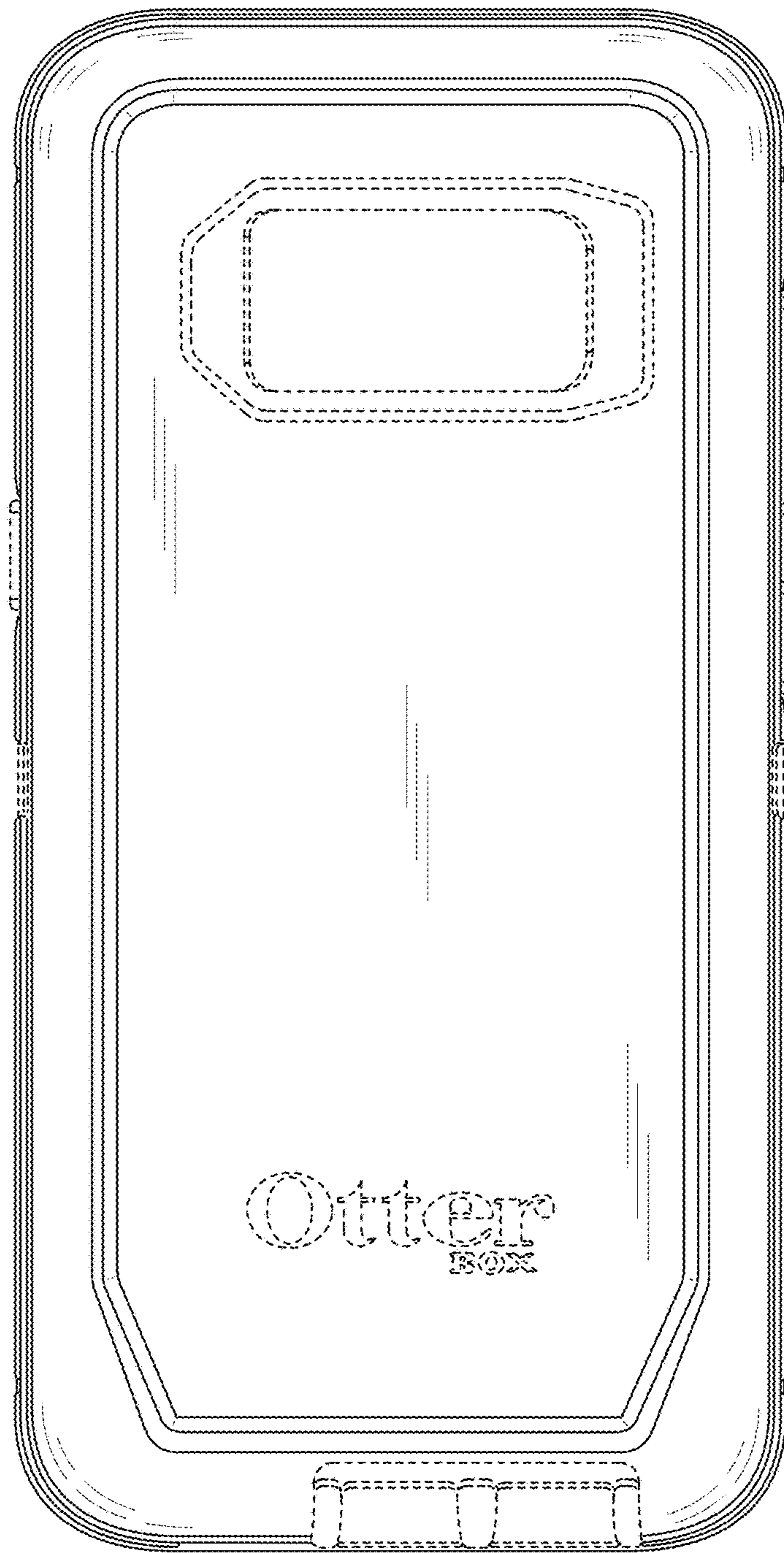


FIG. 4

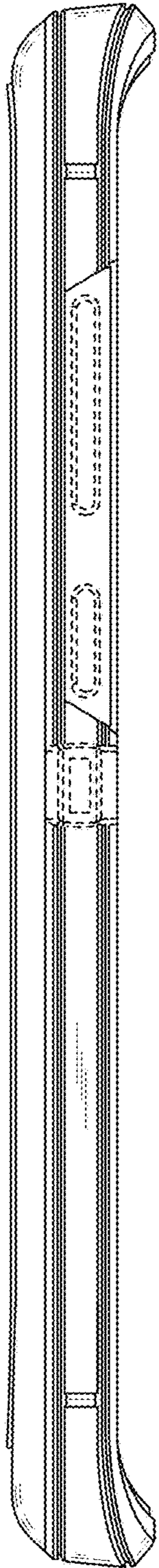


FIG. 5

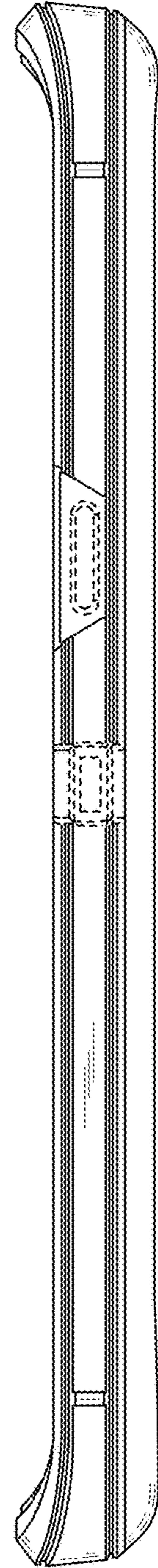


FIG. 6



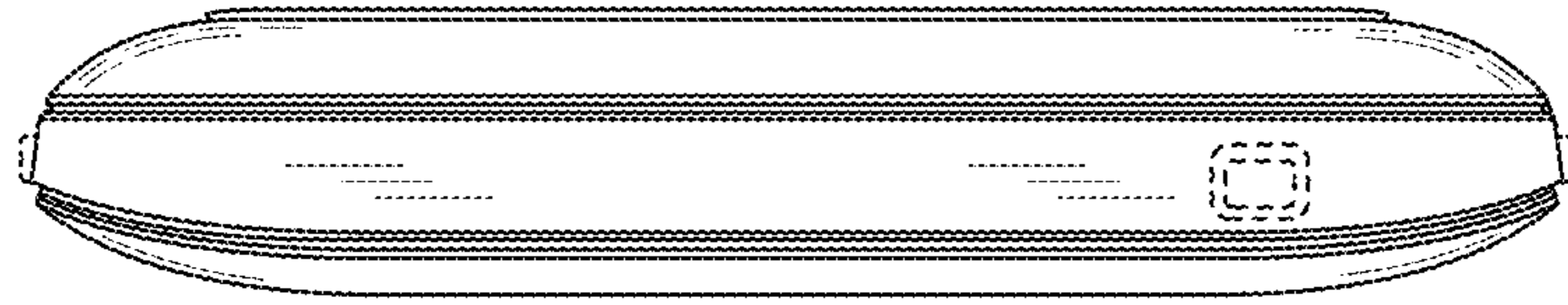


FIG. 7

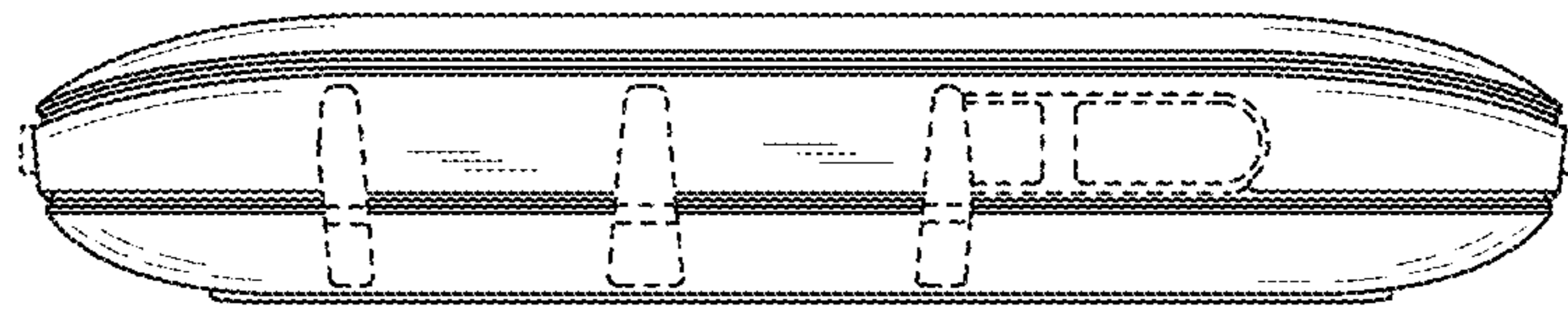


FIG. 8