



US00D845939S

(12) **United States Design Patent**
Igarashi

(10) **Patent No.:** **US D845,939 S**

(45) **Date of Patent:** **** Apr. 16, 2019**

(54) **MOBILE COMMUNICATIONS DEVICE COVER**

(71) Applicant: **Power Support Co., Ltd.**, Tokyo (JP)

(72) Inventor: **Katsushi Igarashi**, Tokyo (JP)

(73) Assignee: **Power Support Co., Ltd.**, Tokyo (JP)

(**) Term: **15 Years**

(21) Appl. No.: **29/553,106**

(22) Filed: **Jan. 28, 2016**

(30) **Foreign Application Priority Data**

Jul. 28, 2015 (JP) 2015-016744

(51) **LOC (11) Cl.** **14-03**

(52) **U.S. Cl.**
USPC **D14/250**

(58) **Field of Classification Search**

USPC D3/215, 218, 232, 233, 239, 242,
D3/245-251, 269, 273, 301, 303;
D13/103, 107, 108, 119; D14/137,
D14/138 R, 138 AA, 138 C, 138 G,
D14/203.3-203.7, 217, 238.1, 247, 248,
D14/250, 251-253, 440, 447

CPC H04B 1/3888; H04M 1/0283; H04M
1/0202; A45C 1/06; A45C 2011/002;
A45C 11/00; A45F 2005/028; A45F
2200/0525

See application file for complete search history.

(56) **References Cited**

U.S. PATENT DOCUMENTS

D683,338 S * 5/2013 Wilson D14/250
D691,124 S * 10/2013 Yang D14/250
D697,060 S * 1/2014 Yang D14/250
D697,504 S * 1/2014 Yang D14/250
D706,253 S * 6/2014 Simmer D14/250
D709,059 S * 7/2014 Kim D14/250
D709,060 S * 7/2014 Melanson D14/250
D709,061 S * 7/2014 Borra D14/250

D710,839 S 8/2014 Chang
D753,099 S * 4/2016 Kim D14/250
D775,100 S * 12/2016 Teruyama D14/138 G
2013/0271897 A1* 10/2013 Limber H04B 1/3888
361/679.01

(Continued)

FOREIGN PATENT DOCUMENTS

JP 1463422 S 3/2013
JP 1535640 S 10/2015
KR 300622810 S 11/2011

OTHER PUBLICATIONS

Japanese Office Action in corresponding Application No. JP 2015-003808; dated Jun. 30, 2015; 8 pgs.

Primary Examiner — Susan E Krakower

Assistant Examiner — L. A. Grabenstetter

(74) *Attorney, Agent, or Firm* — Maier & Maier, PLLC

(57) **CLAIM**

The ornamental design for a mobile communications device cover, as shown and described.

DESCRIPTION

FIG. 1 is a front elevation view of a mobile communications device cover;

FIG. 2 is a back elevation view thereof;

FIG. 3 is a right elevation view thereof;

FIG. 4 is a left elevation view thereof;

FIG. 5 is a top plan view thereof;

FIG. 6 is a bottom plan view thereof;

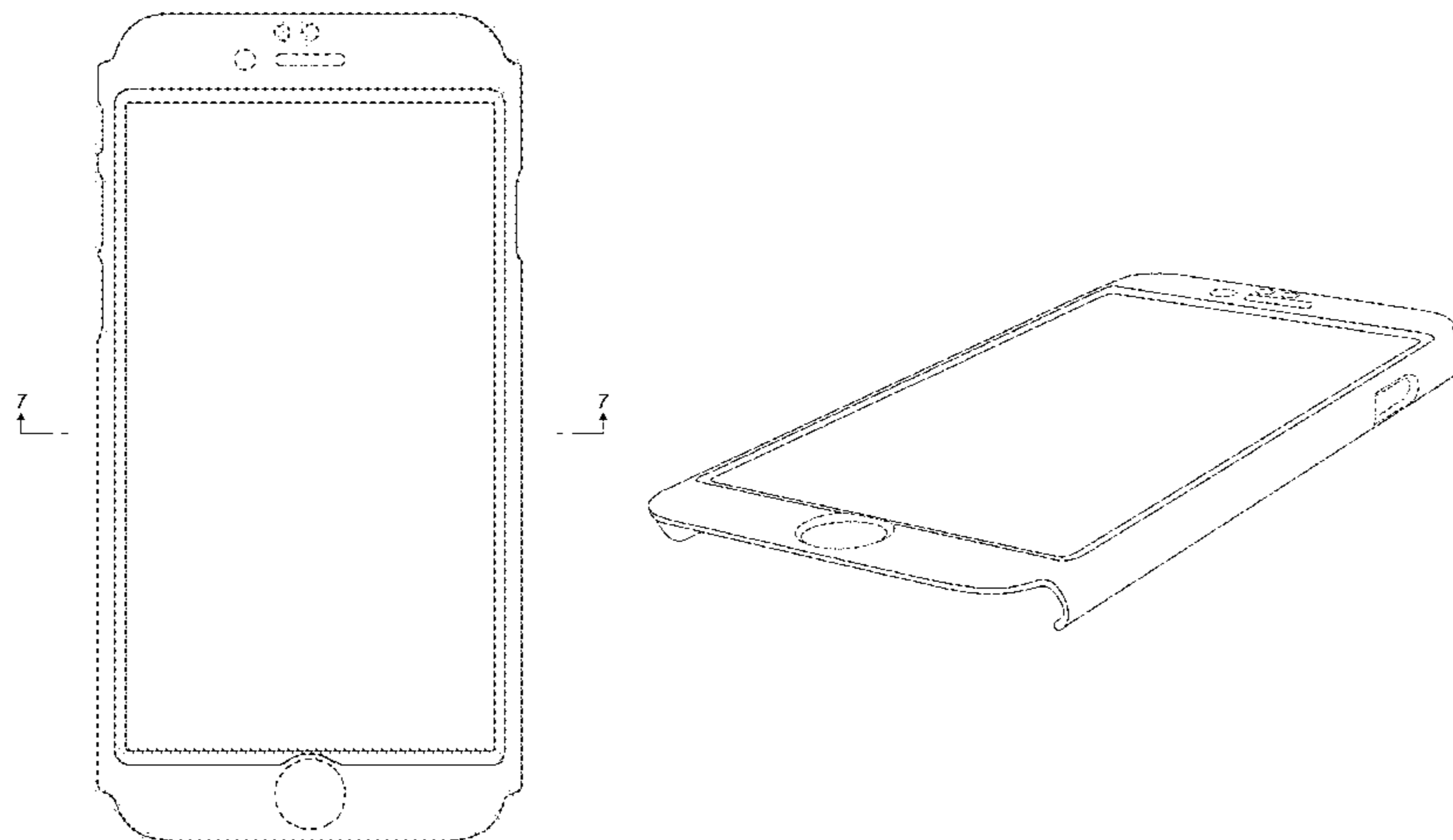
FIG. 7 is a cross-sectional view thereof, taken along line 7-7 of FIG. 1;

FIG. 8 is a partial cross-sectional view thereof, taken along line 8-8 of FIG. 7; and,

FIG. 9 is a front perspective view thereof.

The dash-dash broken lines represent environmental subject matter that forms no part of the claimed design.

1 Claim, 6 Drawing Sheets



(56)

References Cited

U.S. PATENT DOCUMENTS

2013/0273944 A1* 10/2013 Wilson H04W 4/90
455/457
2016/0285497 A1* 9/2016 Roberts A45F 5/00

* cited by examiner

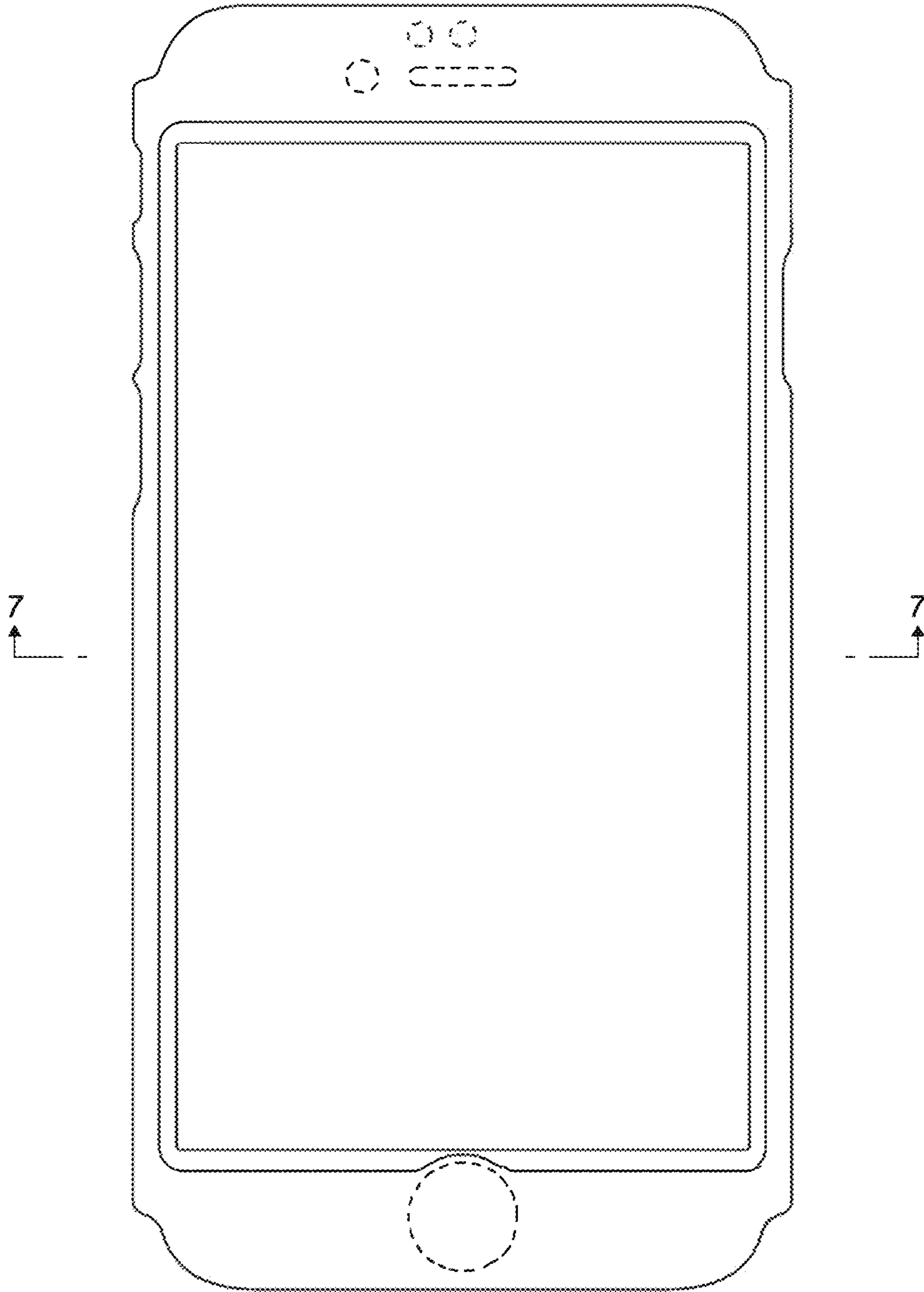


FIG. 1

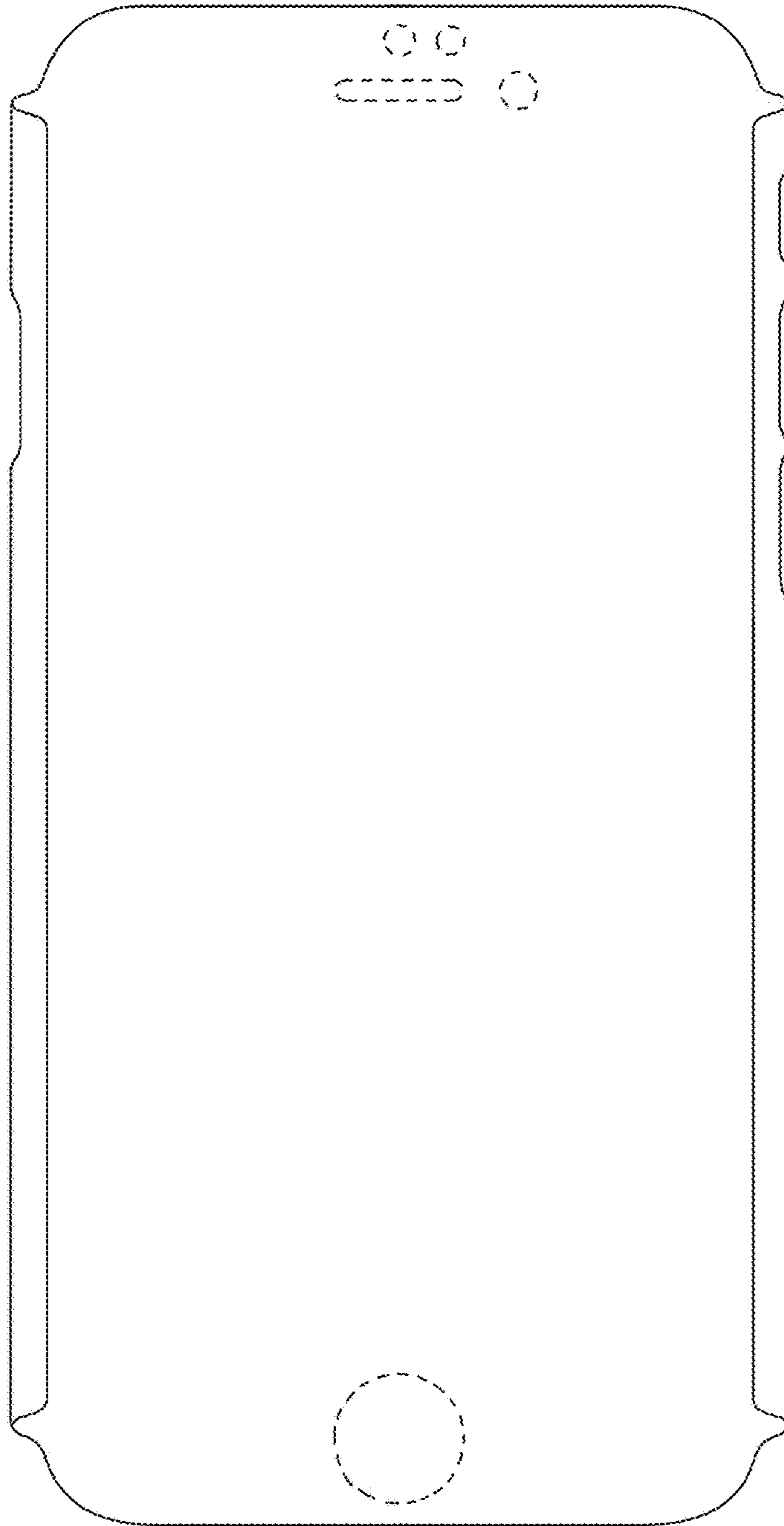


FIG. 2

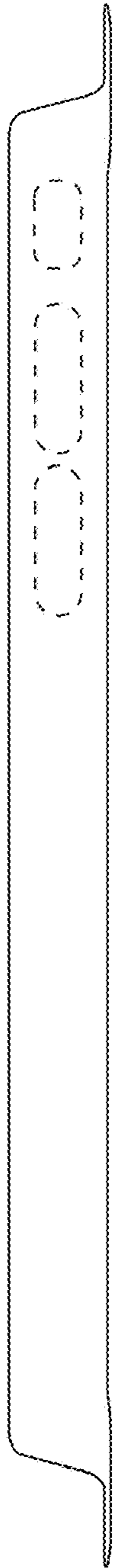


FIG. 3

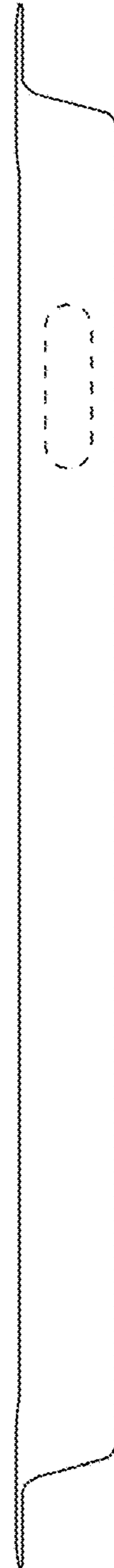


FIG. 4



FIG. 5

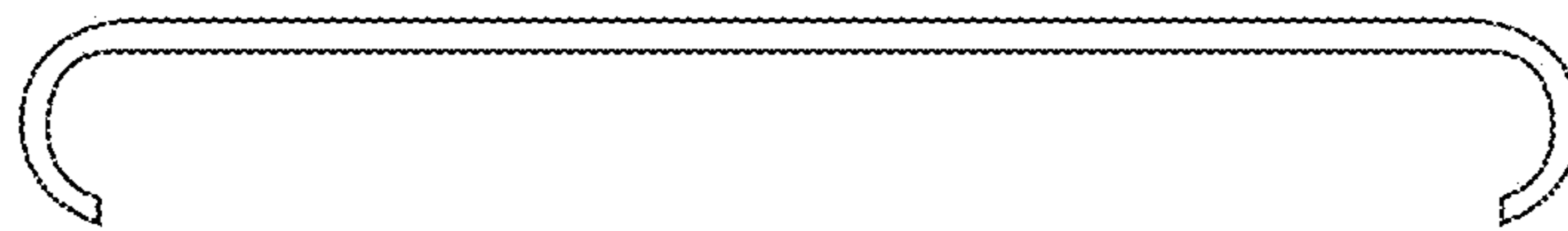


FIG. 6

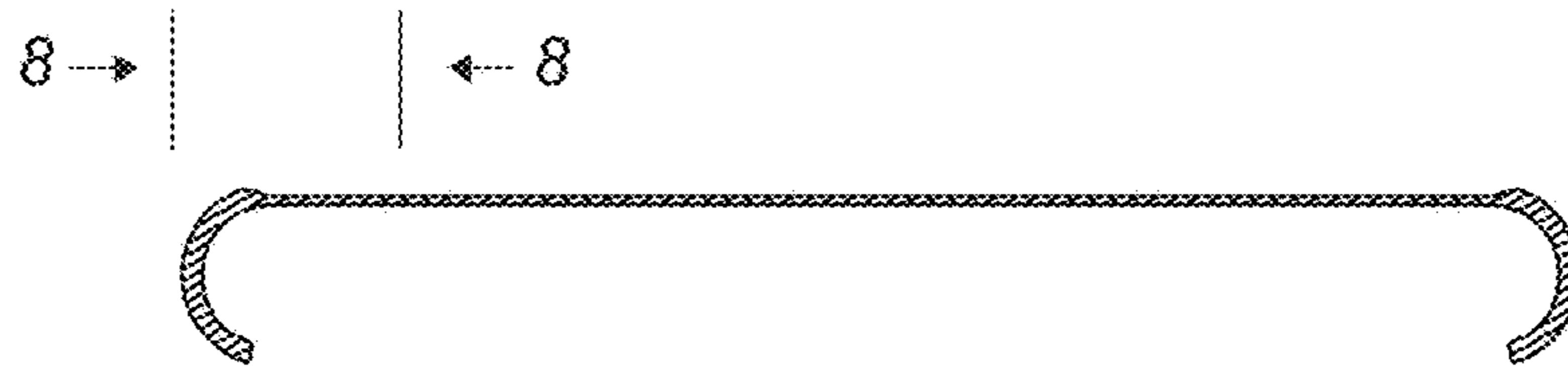


FIG. 7

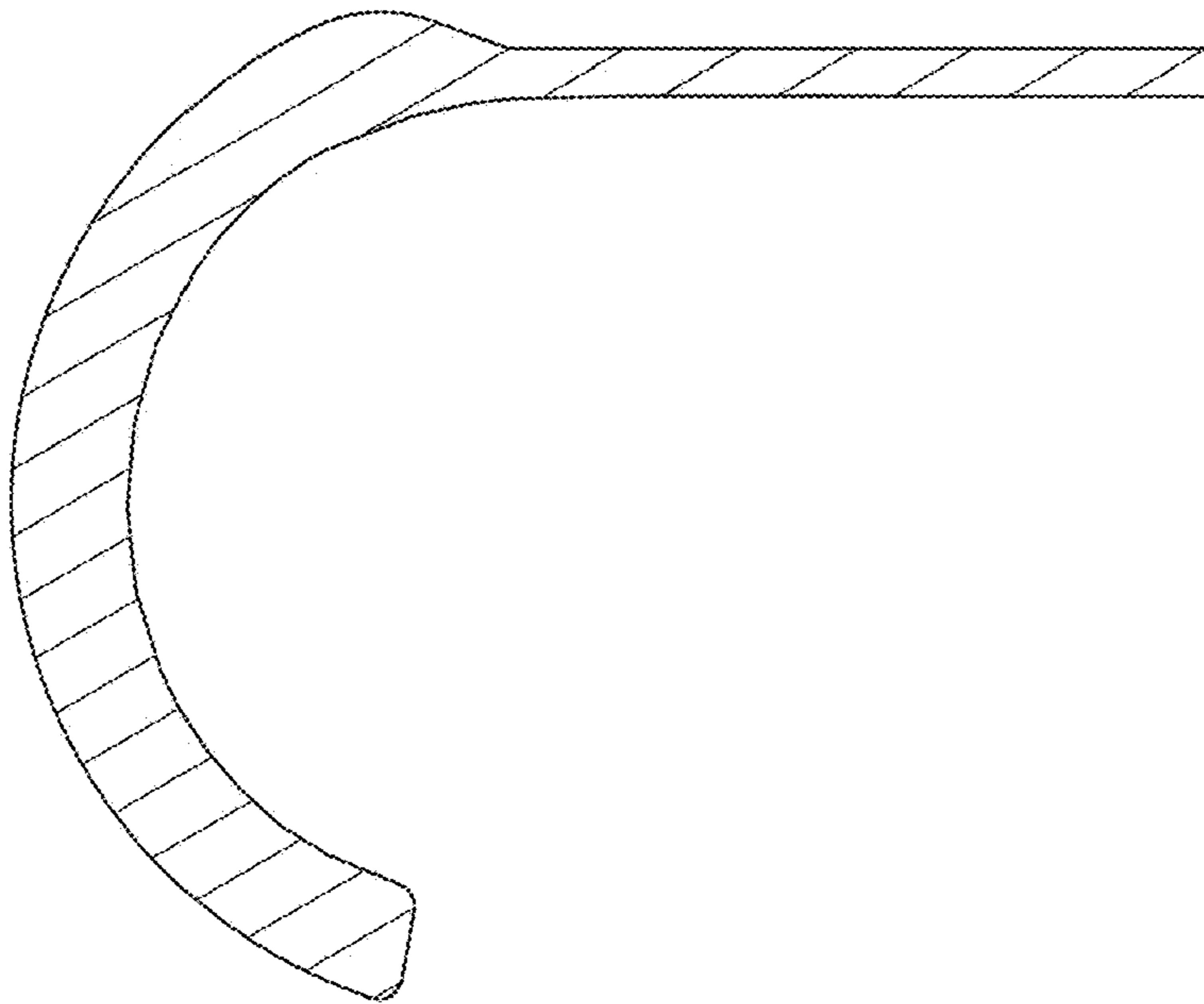


FIG. 8

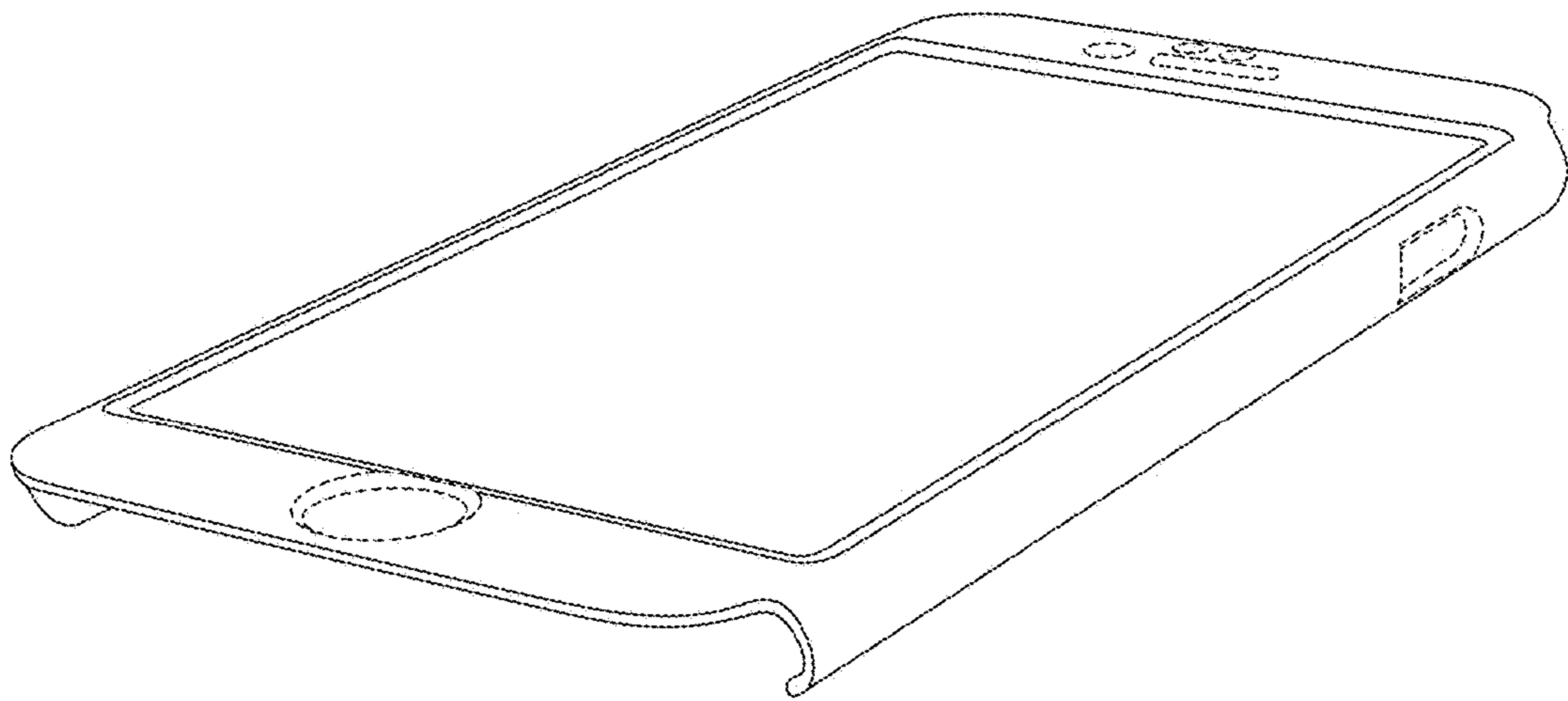


FIG. 9