



US00D845933S

(12) **United States Design Patent** (10) **Patent No.:** **US D845,933 S**  
**Lee** (45) **Date of Patent:** **\*\* Apr. 16, 2019**

(54) **EARBUD FOR EARPHONES**  
(71) Applicant: **GN Audio A/S**, Ballerup (DK)  
(72) Inventor: **Chang Ho Lee**, Ballerup (DK)  
(73) Assignee: **GN Audio A/S** (DK)  
(\*\*) Term: **15 Years**

D745,862 S \* 12/2015 Otani ..... D14/223  
D797,706 S \* 9/2017 Sagawa ..... D14/218  
D801,950 S \* 11/2017 Otani ..... D14/223  
D808,360 S \* 1/2018 Arimoto ..... D14/205  
D817,309 S \* 5/2018 Czaniecki ..... D14/223  
D825,533 S \* 8/2018 Paschke ..... D14/223  
D831,620 S \* 10/2018 Bian ..... D14/223  
2017/0026738 A1\* 1/2017 Tang ..... H04R 1/1091

(21) Appl. No.: **29/641,684**  
(22) Filed: **Mar. 23, 2018**

**Related U.S. Application Data**

(62) Division of application No. 29/581,296, filed on Oct. 18, 2016.

**Foreign Application Priority Data**

Apr. 21, 2016 (EM) ..... 003076975-0001  
Apr. 21, 2016 (EM) ..... 003076975-0002  
Apr. 21, 2016 (EM) ..... 003076975-0003  
Apr. 21, 2016 (EM) ..... 003076975-0004  
Apr. 21, 2016 (EM) ..... 003076975-0005

(51) **LOC (11) Cl.** ..... **14-01**  
(52) **U.S. Cl.**  
USPC ..... **D14/223**

(58) **Field of Classification Search**  
USPC ..... D14/205, 221, 223, 224, 224.1, 225;  
D24/173, 174  
CPC ..... H04R 1/10; H04R 1/1016; H04R 1/1066;  
H04R 1/1033; H04R 1/08; H04R 5/033;  
H04R 5/0335; H04R 25/00  
See application file for complete search history.

(56) **References Cited**

**U.S. PATENT DOCUMENTS**

D667,817 S \* 9/2012 Otani ..... D14/223  
D705,757 S \* 5/2014 Yashiro ..... H04R 1/10  
D14/223

**OTHER PUBLICATIONS**

Jabra Halo Free Wireless Bluetooth Stereo Earbuds, posted Sep. 27, 2016 [online], retrieved Dec. 4, 2018, retrieved from internet, see box V.\*

(Continued)

*Primary Examiner* — Barbara Fox  
*Assistant Examiner* — Messina L Smith

(74) *Attorney, Agent, or Firm* — Altera Law Group, LLC

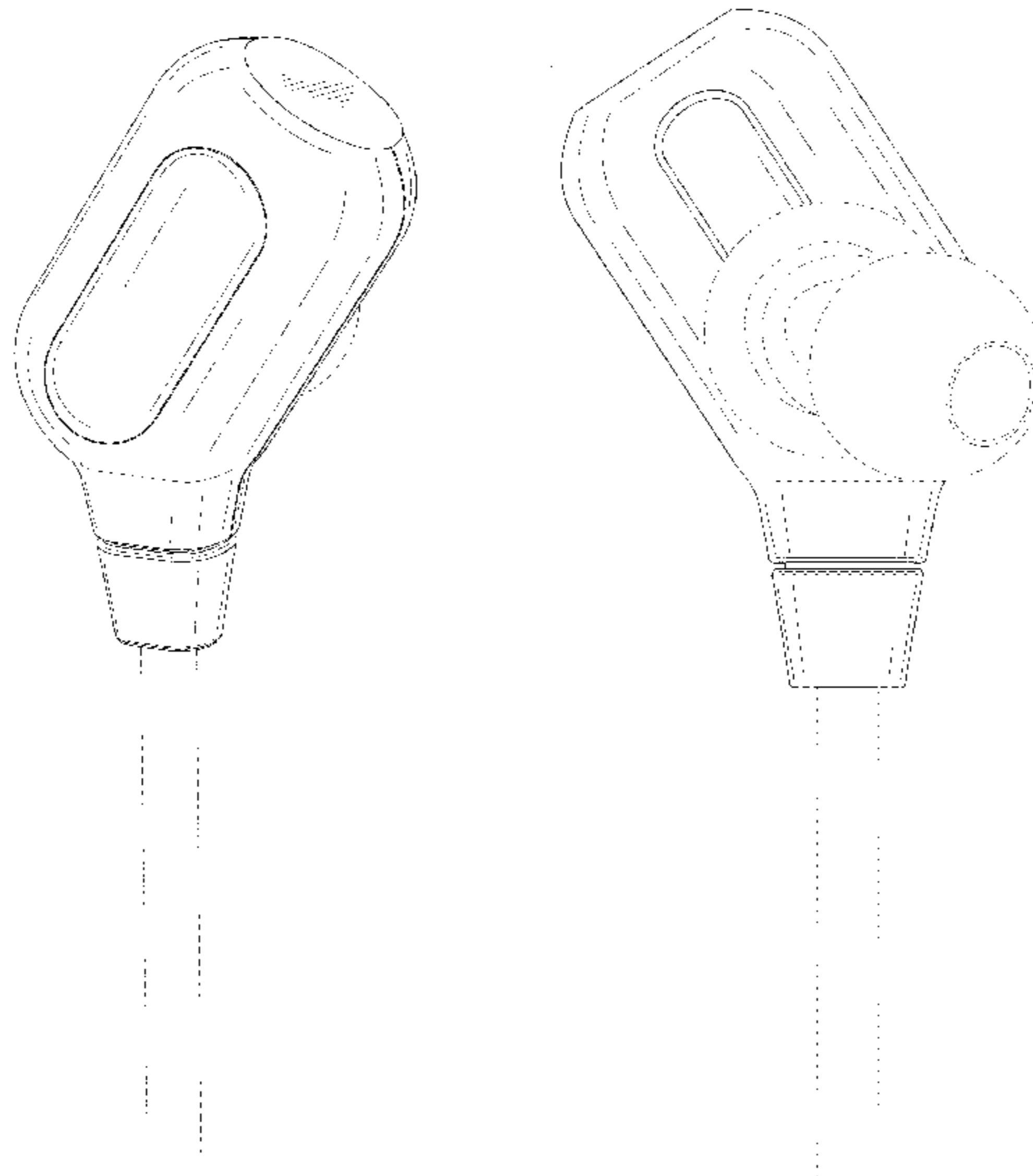
(57) **CLAIM**

The ornamental design for a earbud for earphones, as shown and described.

**DESCRIPTION**

FIG. 1 is a perspective view of an earbud for earphones, showing the new design;  
FIG. 2 is a front view of FIG. 1 thereof.  
FIG. 3 is a back view of FIG. 1 thereof.  
FIG. 4 is the left side view of FIG. 1 thereof.  
FIG. 5 is the right side view of FIG. 1 thereof.  
FIG. 6 is a top view of FIG. 1 thereof; and,  
FIG. 7 is a bottom view of FIG. 1 thereof.  
The broken line showing of the cord in FIGS. 1-5 and 7 depicts environment and forms no part of the claimed design. All other broken lines depict portions of the earbud for earphones that form no part of the claimed design.

**1 Claim, 7 Drawing Sheets**



(56)

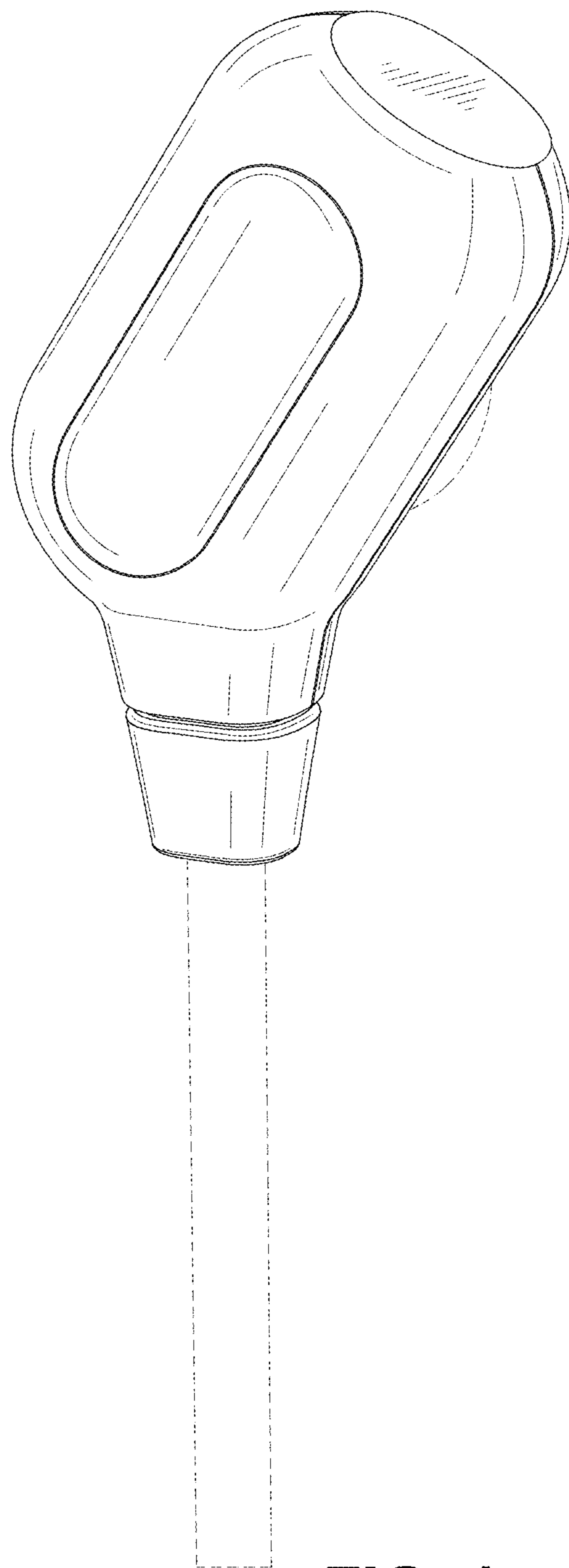
**References Cited**

OTHER PUBLICATIONS

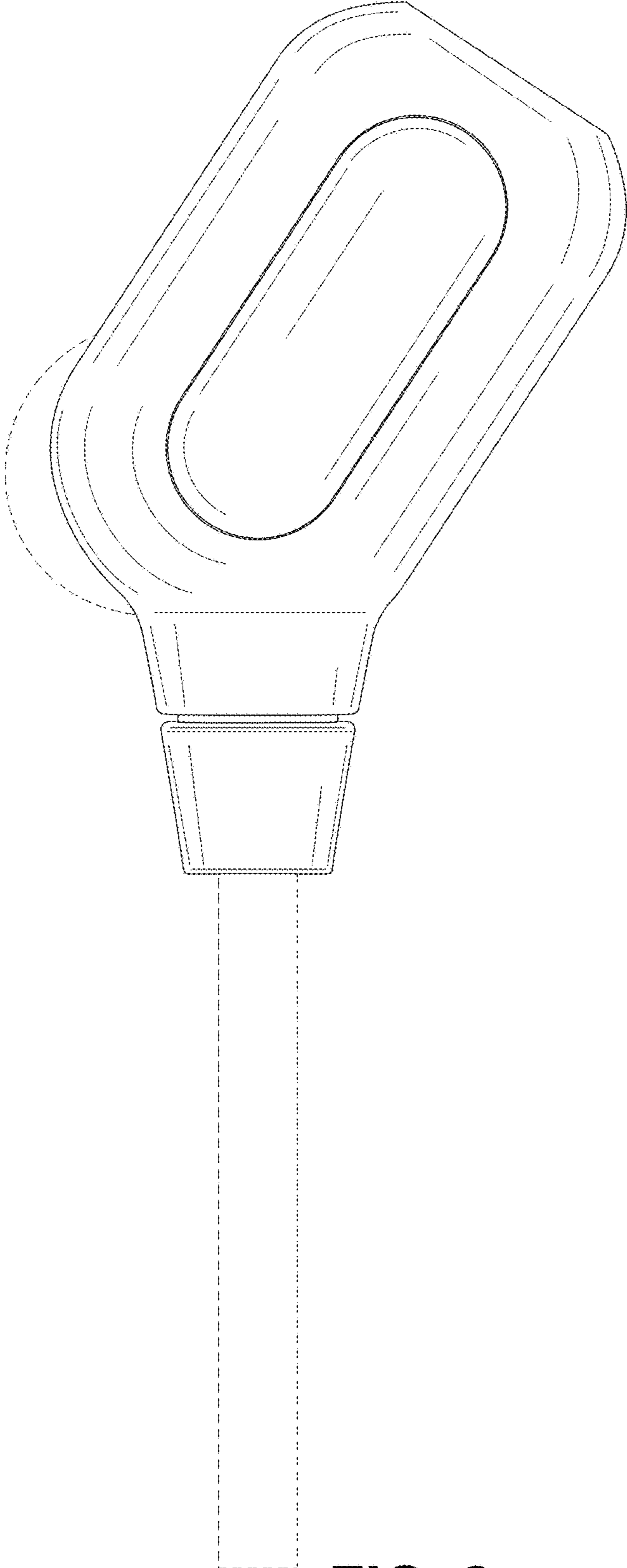
<[https://www.amazon.com/Jabra-Wireless-Bluetooth-Earbuds-Packaging/product-reviews/B01J63O2DM/ref=cm\\_cr\\_getr\\_d\\_paging\\_btm\\_6?ie=UTF8&reviewerType=all\\_reviews&sortBy=recent&pageNumber=6](https://www.amazon.com/Jabra-Wireless-Bluetooth-Earbuds-Packaging/product-reviews/B01J63O2DM/ref=cm_cr_getr_d_paging_btm_6?ie=UTF8&reviewerType=all_reviews&sortBy=recent&pageNumber=6)>.\*

Jabra Halo Free Wireless Bluetooth stereo headphones available for Rs. 2899, posted Dec. 20, 2016 [online], retrieved Dec. 4, 2018, retrieved from internet, <<https://www.gogi.in/jabra-halo-free-wireless-bluetooth-stereo-headphones-available-for-rs-2899.html>>.\*

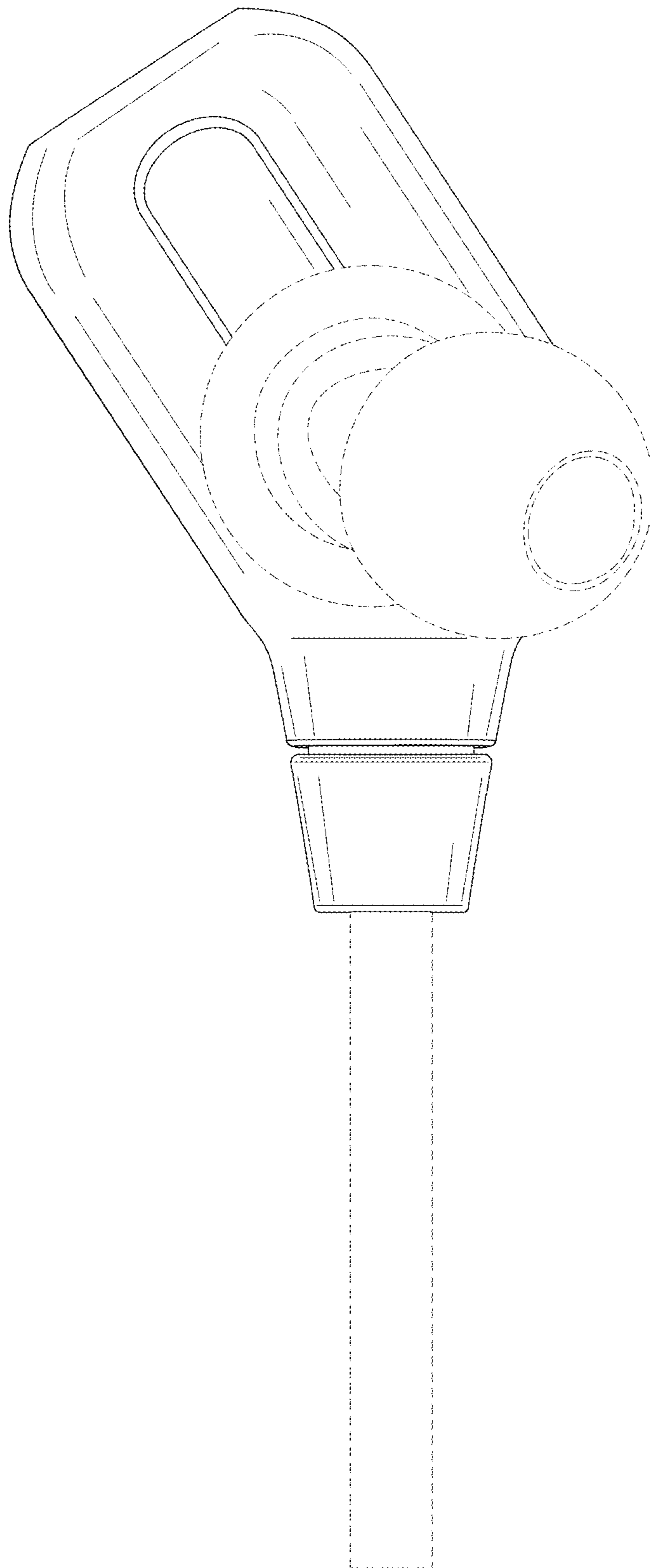
\* cited by examiner



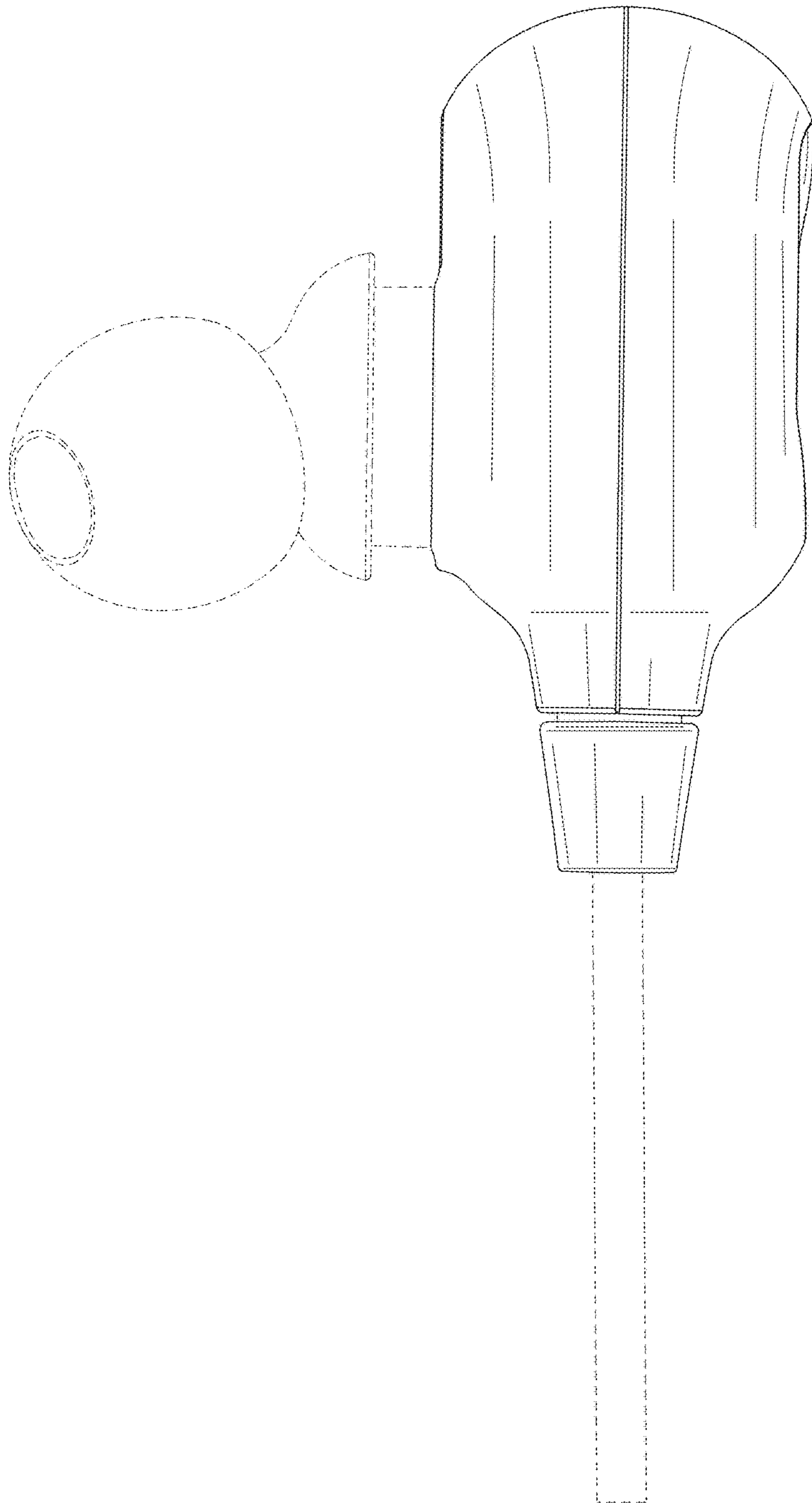
**FIG. 1**



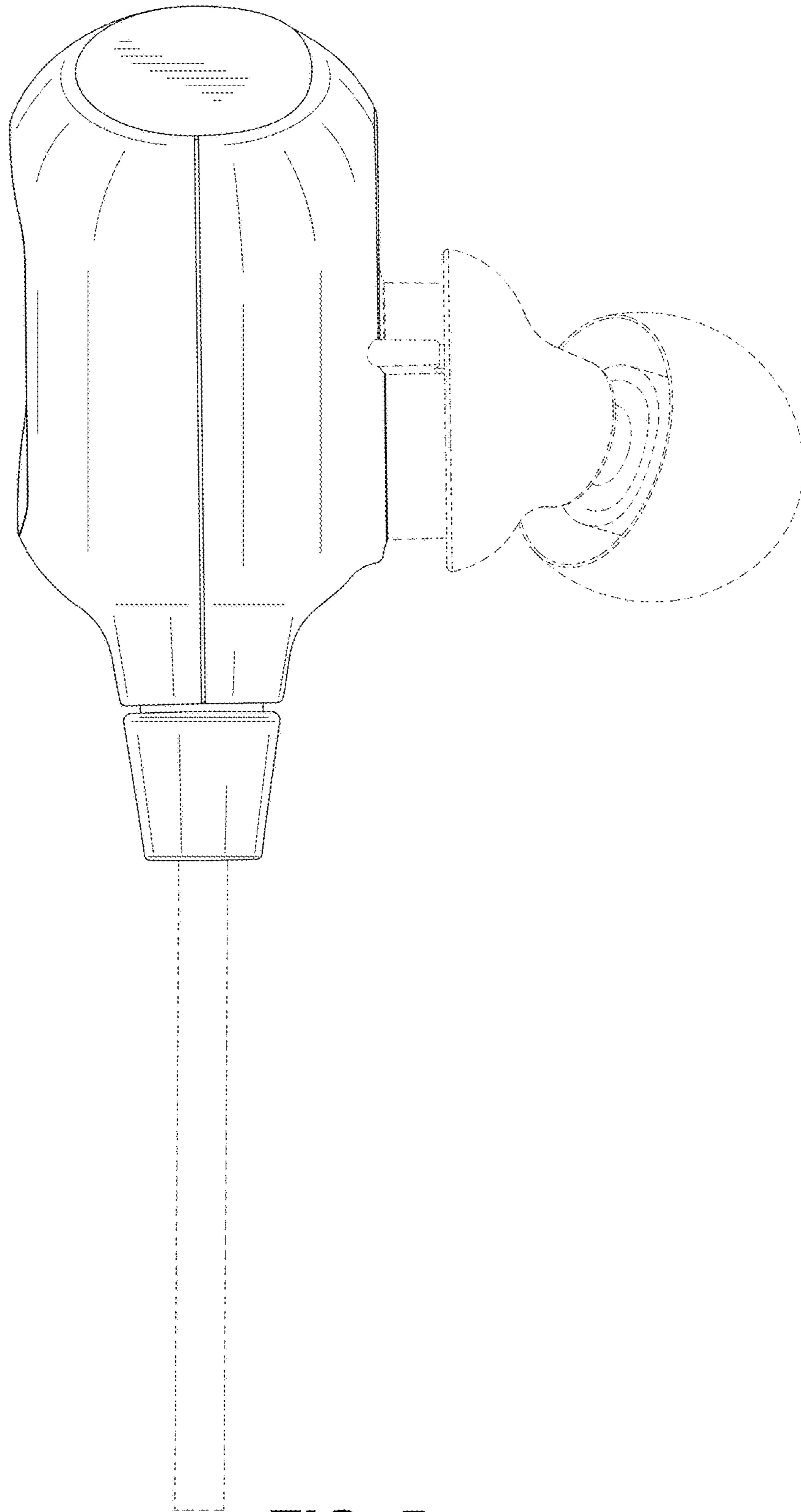
**FIG. 2**



**FIG. 3**

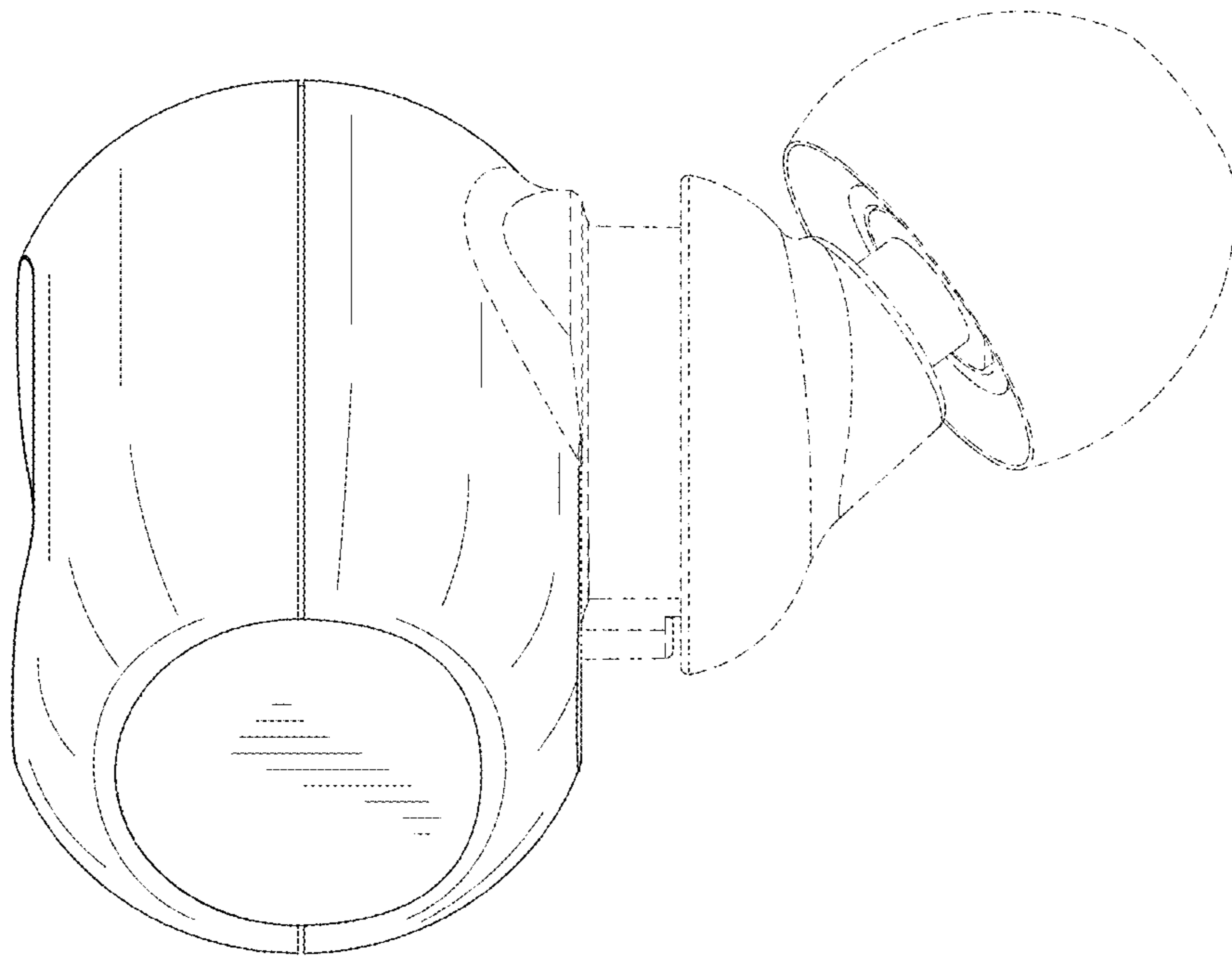


**FIG. 4**



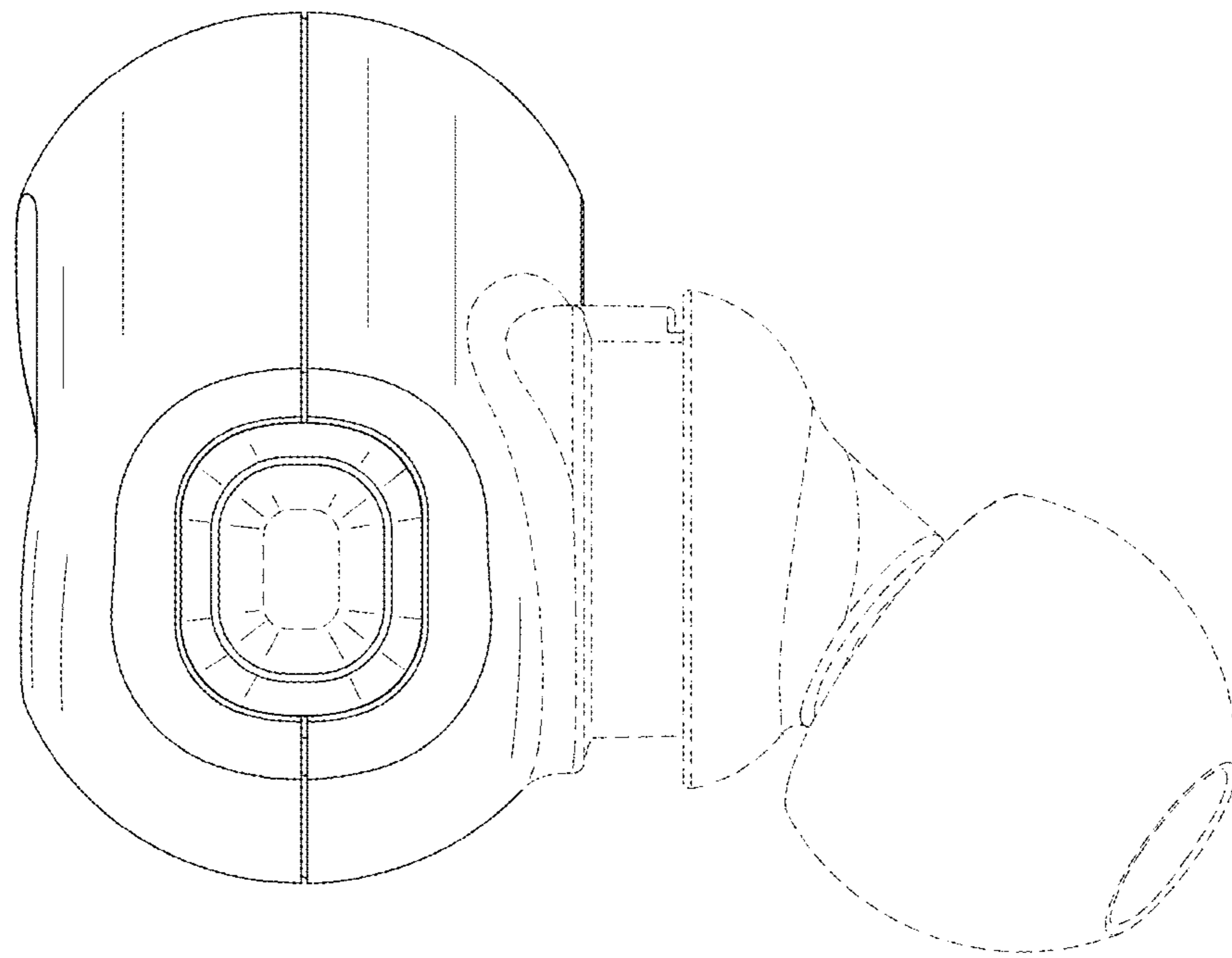
**FIG. 5**





**FIG. 6**





**FIG. 7**