



US00D845932S

(12) **United States Design Patent**  
**Lu**

(10) **Patent No.:** **US D845,932 S**  
(45) **Date of Patent:** **\*\* Apr. 16, 2019**

(54) **HEADPHONE**

(71) Applicant: **Harman International Industries, Incorporated**, Northridge, CA (US)

(72) Inventor: **Chenxi Lu**, Hong Kong (HK)

(73) Assignee: **Harman International Industries, Incorporated**, Northridge, CA (US)

(\*\*) Term: **15 Years**

(21) Appl. No.: **29/615,826**

(22) Filed: **Aug. 31, 2017**

(51) **LOC (11) Cl.** ..... **14-01**

(52) **U.S. Cl.**  
USPC ..... **D14/223**

(58) **Field of Classification Search**  
USPC ..... D14/223, 205; D24/174; 181/129, 130, 181/135; 379/430, 431; 381/380, 381, 381/374; 455/90.3, 575.1, 569.1; 128/865, 866, 867; D13/107  
CPC ..... H04R 1/10; H04R 25/00; H04R 1/1066; H04R 1/1016; H04R 5/033; H04R 5/0335; H04R 1/1091; H04R 1/1083  
See application file for complete search history.

(56) **References Cited**

U.S. PATENT DOCUMENTS

1,312,493	A *	8/1919	Theis	.....	A61F 11/14
					128/866
1,624,144	A *	4/1927	Mathieu	.....	H04R 1/1016
					181/129
1,668,890	A *	5/1928	Curran	.....	H04R 1/1016
					181/130
1,668,910	A *	5/1928	Jones	.....	H04R 1/1016
					181/130
2,377,739	A *	6/1945	Wyckoff	.....	H04R 25/652
					181/132
2,595,672	A *	5/1952	Greenwood	.....	H04R 25/65
					24/113 MP

2,754,365	A *	7/1956	Walters	.....	H04R 1/225
					181/132
2,805,332	A *	9/1957	Bell	.....	H04B 1/088
					329/370
2,910,679	A *	10/1959	Baldwin	.....	B60K 28/06
					200/61.47
2,971,065	A *	2/1961	Busse	.....	H04R 25/456
					381/104
3,234,467	A *	2/1966	Haveson	.....	H01Q 1/24
					334/76
3,440,365	A *	4/1969	Hazell	.....	H04M 1/05
					379/430
3,457,375	A *	7/1969	Haggerty	.....	H04R 25/456
					381/322
D215,675	S *	10/1969	Yran	.....	D13/114

(Continued)

*Primary Examiner* — Paula Allen Greene  
(74) *Attorney, Agent, or Firm* — Plumsea Law Group, LLC

(57) **CLAIM**

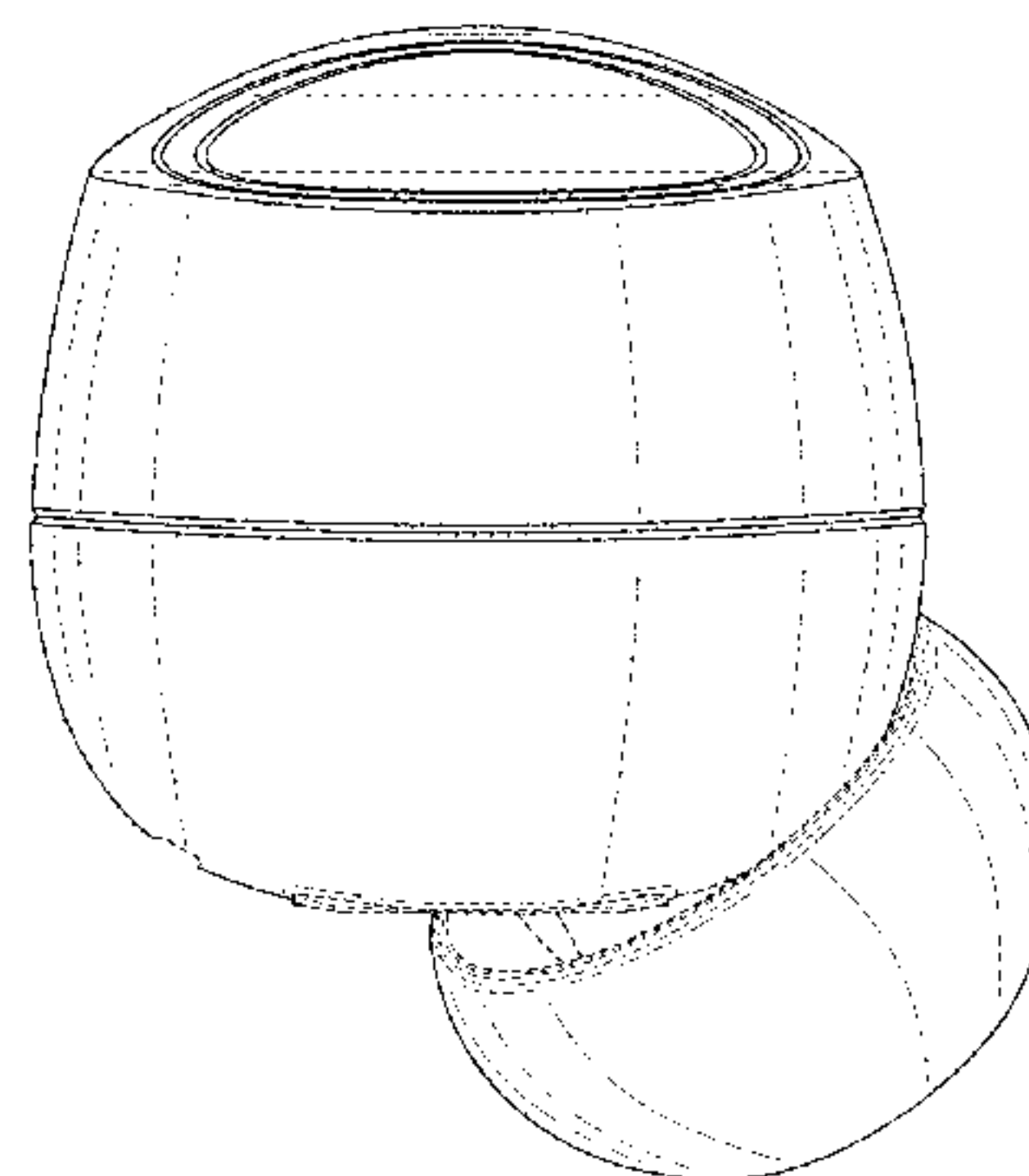
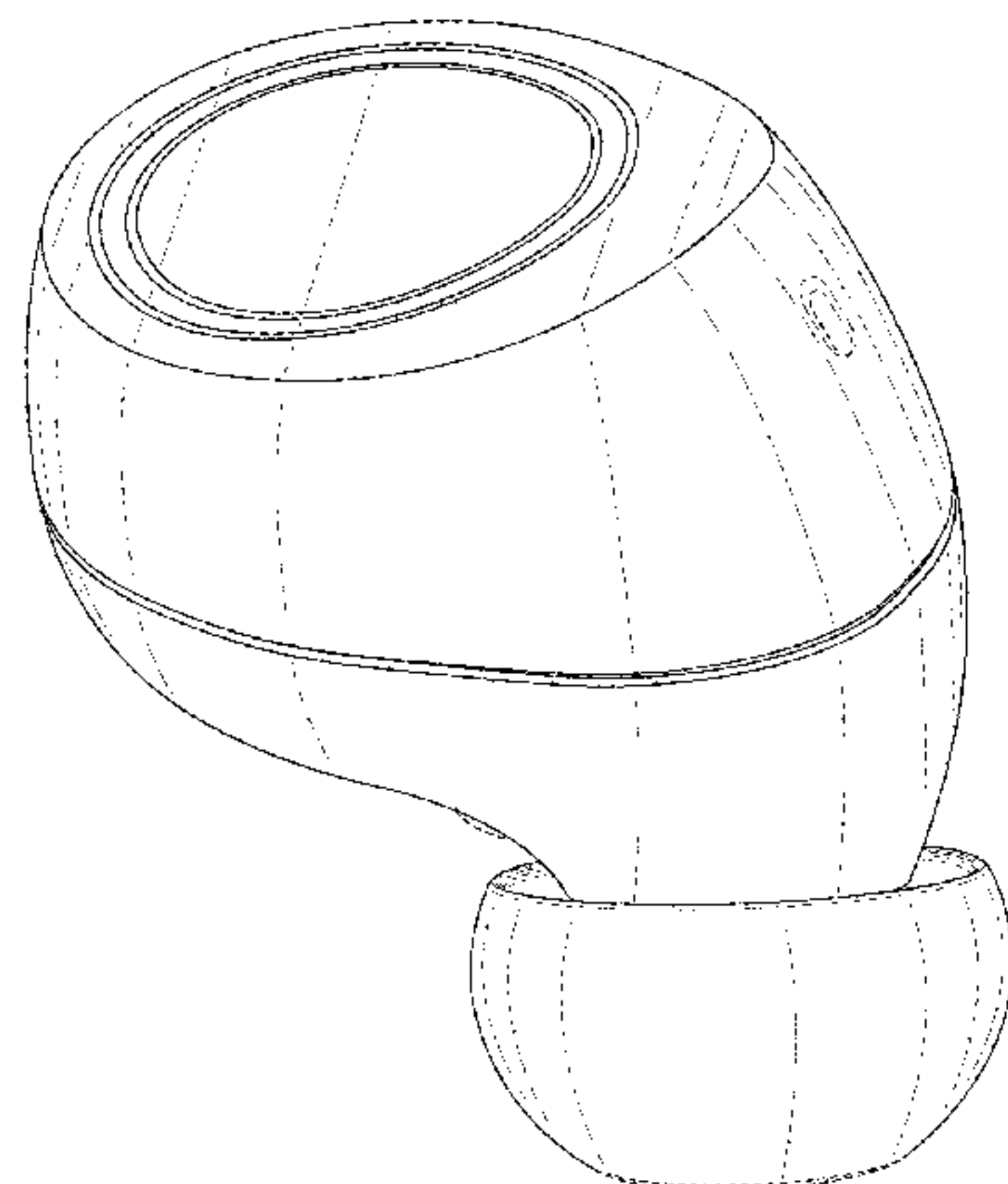
The ornamental design for a headphone, as shown and described.

**DESCRIPTION**

FIG. 1 is a perspective view of a headphone showing the new design;  
FIG. 2 is a front elevational view thereof;  
FIG. 3 is a rear elevational view thereof;  
FIG. 4 is a side elevational view thereof;  
FIG. 5 is an opposite side elevational view thereof;  
FIG. 6 is a top view thereof; and,  
FIG. 7 is a bottom view thereof.

The claimed design also encompasses a mirror image representation of each of the figures. The broken lines immediately adjacent the shaded areas represent the bounds of the claimed design, while all other broken lines are directed to environment and are for illustrative purposes only; the broken lines form no part of the claimed design.

**1 Claim, 7 Drawing Sheets**



(56)

References Cited

U.S. PATENT DOCUMENTS

3,730,181 A \* 5/1973 Fling ..... A61F 11/08  
128/868  
3,821,647 A \* 6/1974 Minasian ..... H03D 1/10  
381/380  
D236,988 S \* 9/1975 Walters ..... D14/223  
4,069,400 A \* 1/1978 Johanson ..... H04R 25/60  
381/322  
4,457,396 A \* 7/1984 James ..... H04R 1/345  
181/129  
4,539,708 A \* 9/1985 Norris ..... H04B 1/088  
455/100  
4,585,089 A \* 4/1986 Topholm ..... H04R 25/65  
181/130  
D287,764 S \* 1/1987 Topholm ..... D24/174  
D287,765 S \* 1/1987 Topholm ..... D24/174  
D295,173 S \* 4/1988 Oren ..... D14/168  
5,054,079 A \* 10/1991 Frielingsdorf ..... H04R 1/46  
379/430  
D321,881 S \* 11/1991 Hopewell ..... D14/192  
D348,066 S \* 6/1994 Lucey ..... D14/205  
D417,465 S \* 12/1999 Kreitz ..... D14/192  
6,122,388 A \* 9/2000 Feldman ..... H04R 25/604  
381/322  
D477,593 S \* 7/2003 Komiyama ..... D14/223  
D477,822 S \* 7/2003 Komiyama ..... D14/223  
D481,709 S \* 11/2003 Solderits ..... D14/223  
D505,411 S \* 5/2005 Sakai ..... D14/192  
D519,108 S \* 4/2006 Yang ..... D14/223  
7,120,267 B2 \* 10/2006 Ito ..... H04M 1/05  
381/375  
D588,111 S \* 3/2009 Komiyama ..... D14/223  
D603,380 S \* 11/2009 Hutchieson ..... D14/223  
D637,997 S \* 5/2011 Peller ..... D14/205  
D637,999 S \* 5/2011 Brunner ..... D14/205  
D641,010 S \* 7/2011 Kwon ..... D14/223  
D652,817 S \* 1/2012 Lee ..... D14/205  
D652,822 S \* 1/2012 Lee ..... D14/223

D654,056 S \* 2/2012 Hoggarth ..... D14/205  
D666,581 S \* 9/2012 Perez ..... D14/223  
8,275,166 B2 \* 9/2012 Wu ..... H04R 25/00  
381/328  
D685,764 S \* 7/2013 Coulter ..... D14/205  
D699,226 S \* 2/2014 Yoon ..... D14/206  
8,776,801 B2 \* 7/2014 McIntosh ..... A61F 11/08  
128/864  
D711,356 S \* 8/2014 Yang ..... D14/223  
D719,550 S \* 12/2014 Yang ..... D14/223  
D725,082 S \* 3/2015 Palmborg ..... D14/223  
8,983,108 B2 \* 3/2015 Ho ..... H04R 1/1016  
181/135  
D726,145 S \* 4/2015 Hsieh ..... D14/205  
D727,871 S \* 4/2015 Orbach ..... D14/205  
D733,102 S \* 6/2015 Palmborg ..... D14/223  
D735,169 S \* 7/2015 Shieh ..... D14/223  
9,087,506 B1 \* 7/2015 Kraft ..... G10L 21/0232  
9,131,308 B2 \* 9/2015 Kraft ..... G10L 21/0232  
D742,861 S \* 11/2015 Miyake ..... D14/223  
D764,445 S \* 8/2016 Czaniecki ..... D14/223  
D773,032 S \* 11/2016 Palmborg ..... D24/106  
D777,710 S \* 1/2017 Palmborg ..... D14/223  
D778,267 S \* 2/2017 Hsieh ..... D14/223  
9,565,491 B2 \* 2/2017 Baker ..... H04R 1/1083  
D781,269 S \* 3/2017 Choe ..... D14/223  
D782,997 S \* 4/2017 Shin ..... D14/205  
D782,998 S \* 4/2017 Shin ..... D14/205  
D788,079 S \* 5/2017 Son ..... D14/223  
D798,843 S \* 10/2017 Valenzuela ..... D14/223  
D800,097 S \* 10/2017 Chen ..... D14/223  
D806,879 S \* 1/2018 Horbinski ..... D24/174  
D813,206 S \* 3/2018 Tang ..... D14/223  
D818,990 S \* 5/2018 Tzeng ..... D14/205  
2007/0263896 A1 \* 11/2007 Chen ..... H04R 1/105  
381/381  
2011/0293130 A1 \* 12/2011 Huang ..... H04R 1/1016  
381/380  
2012/0114160 A1 \* 5/2012 Lin ..... H04R 1/1091  
381/380

\* cited by examiner



FIG. 1

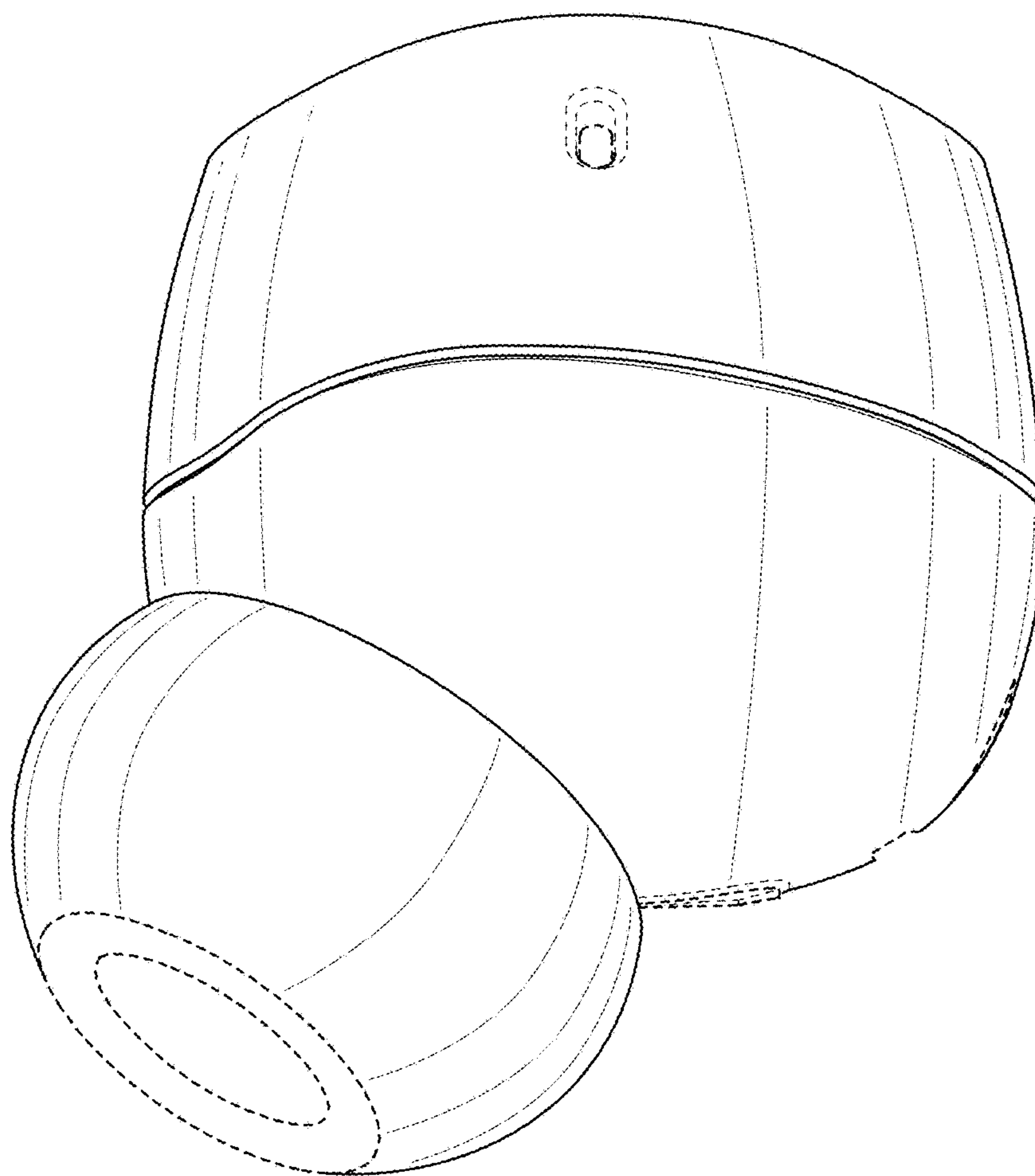


FIG. 2



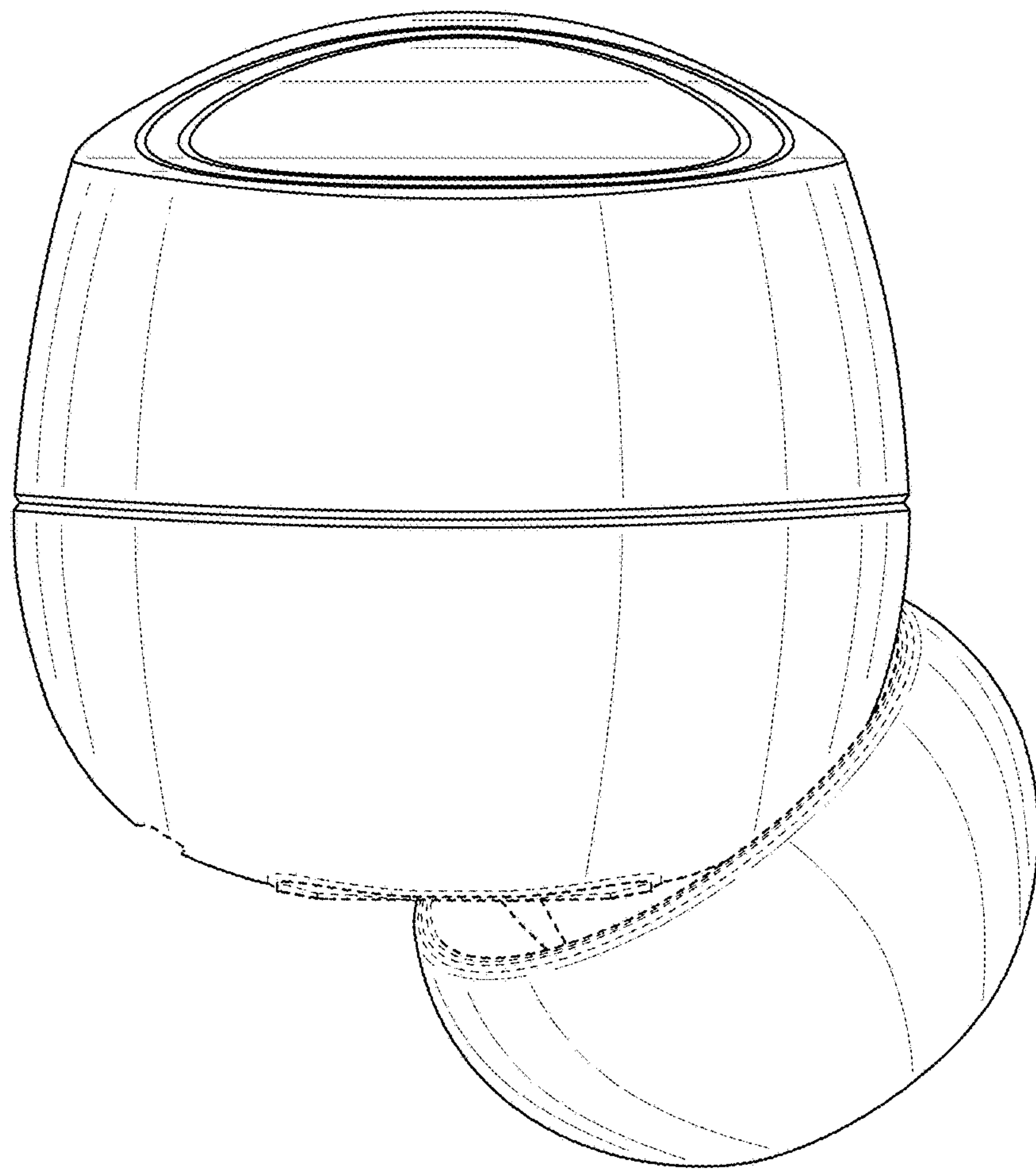


FIG. 3

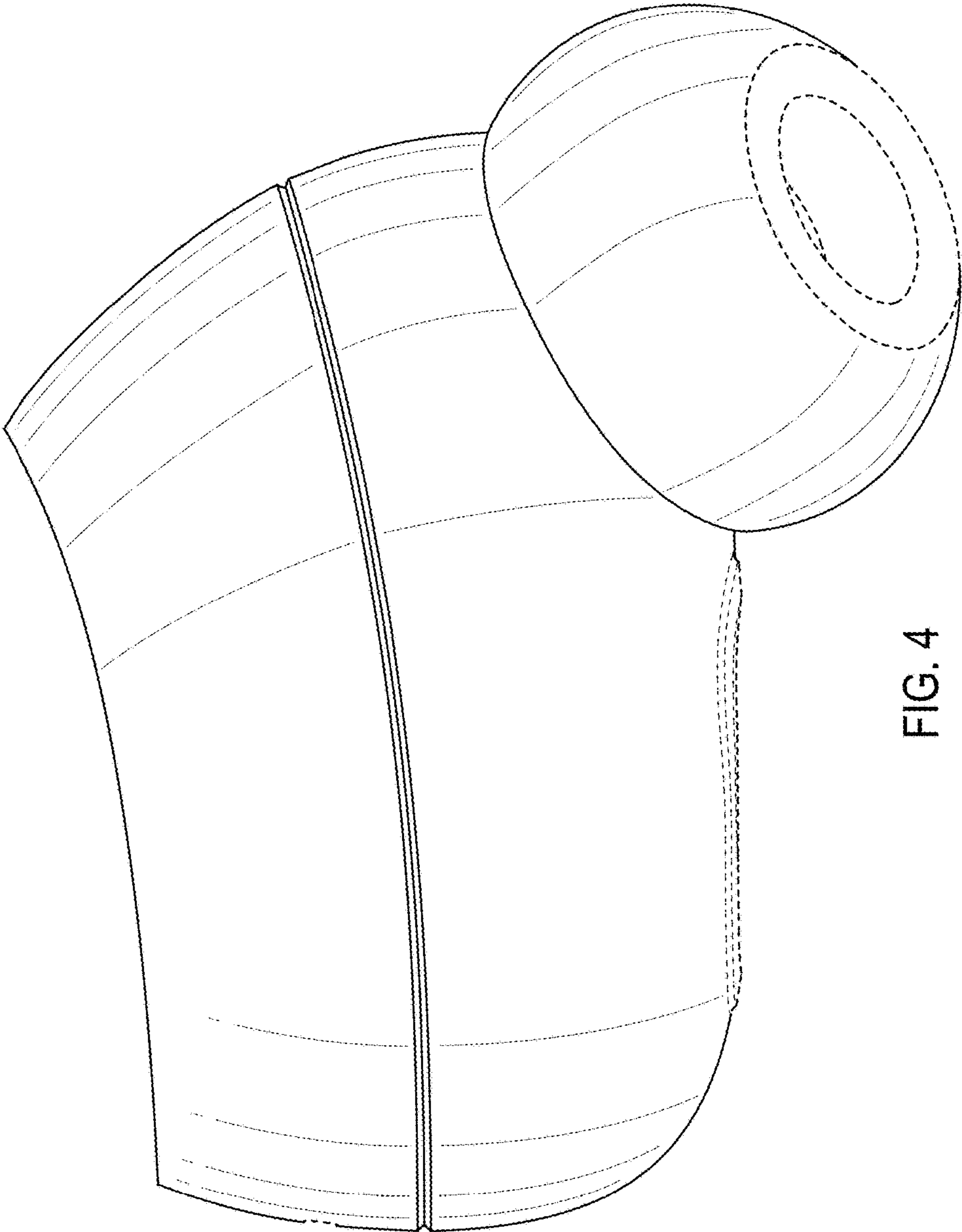


FIG. 4

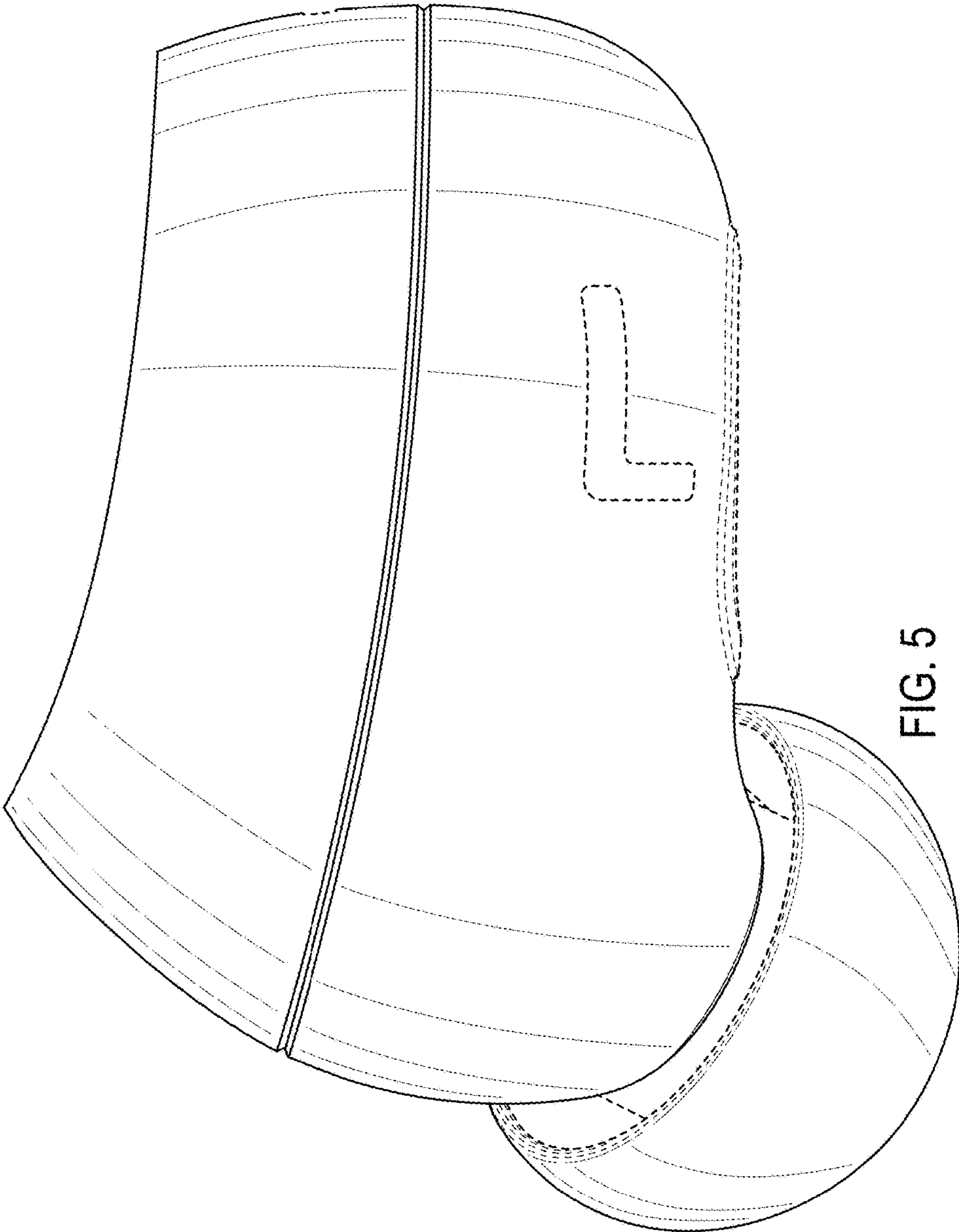


FIG. 5

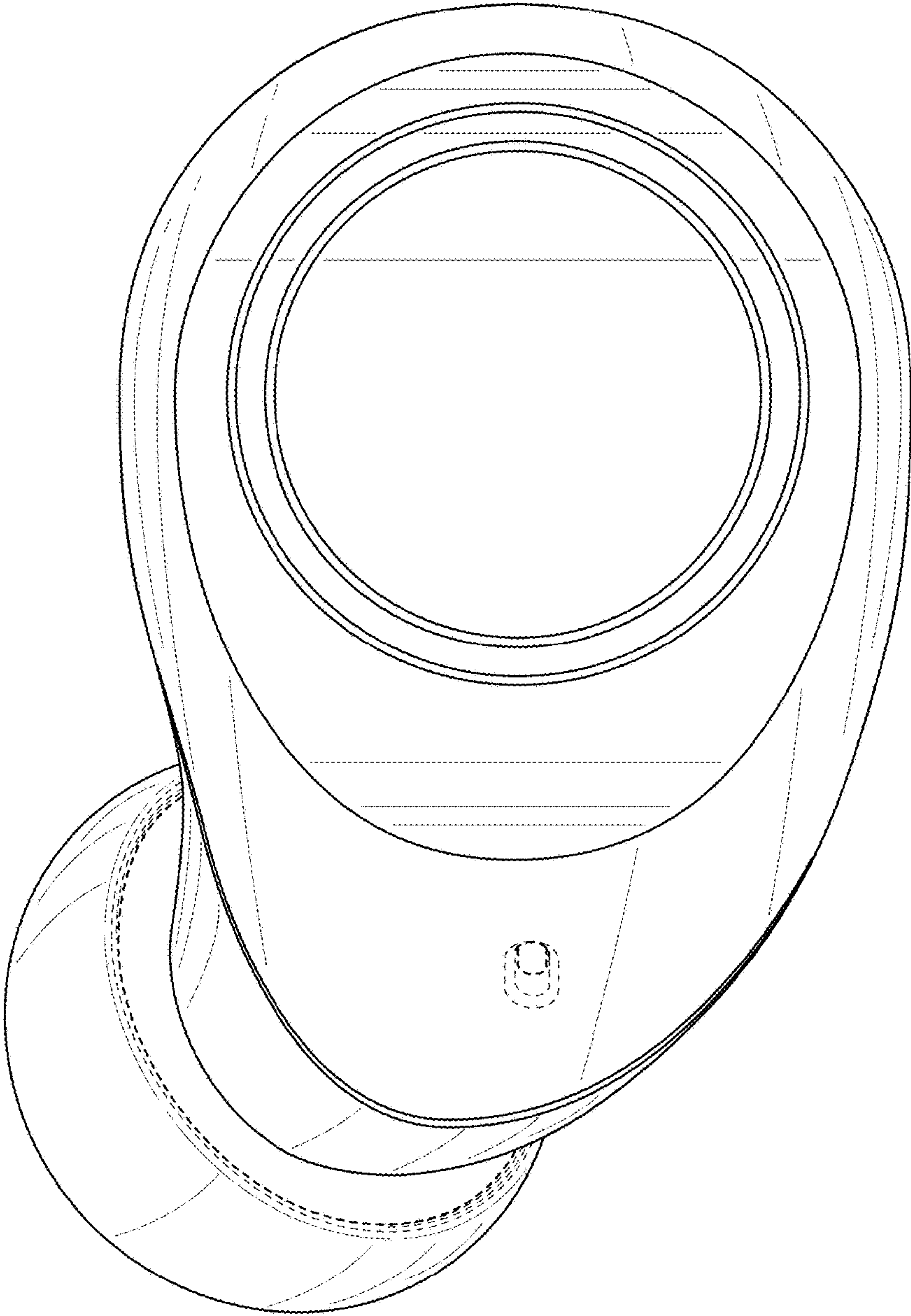


FIG. 6



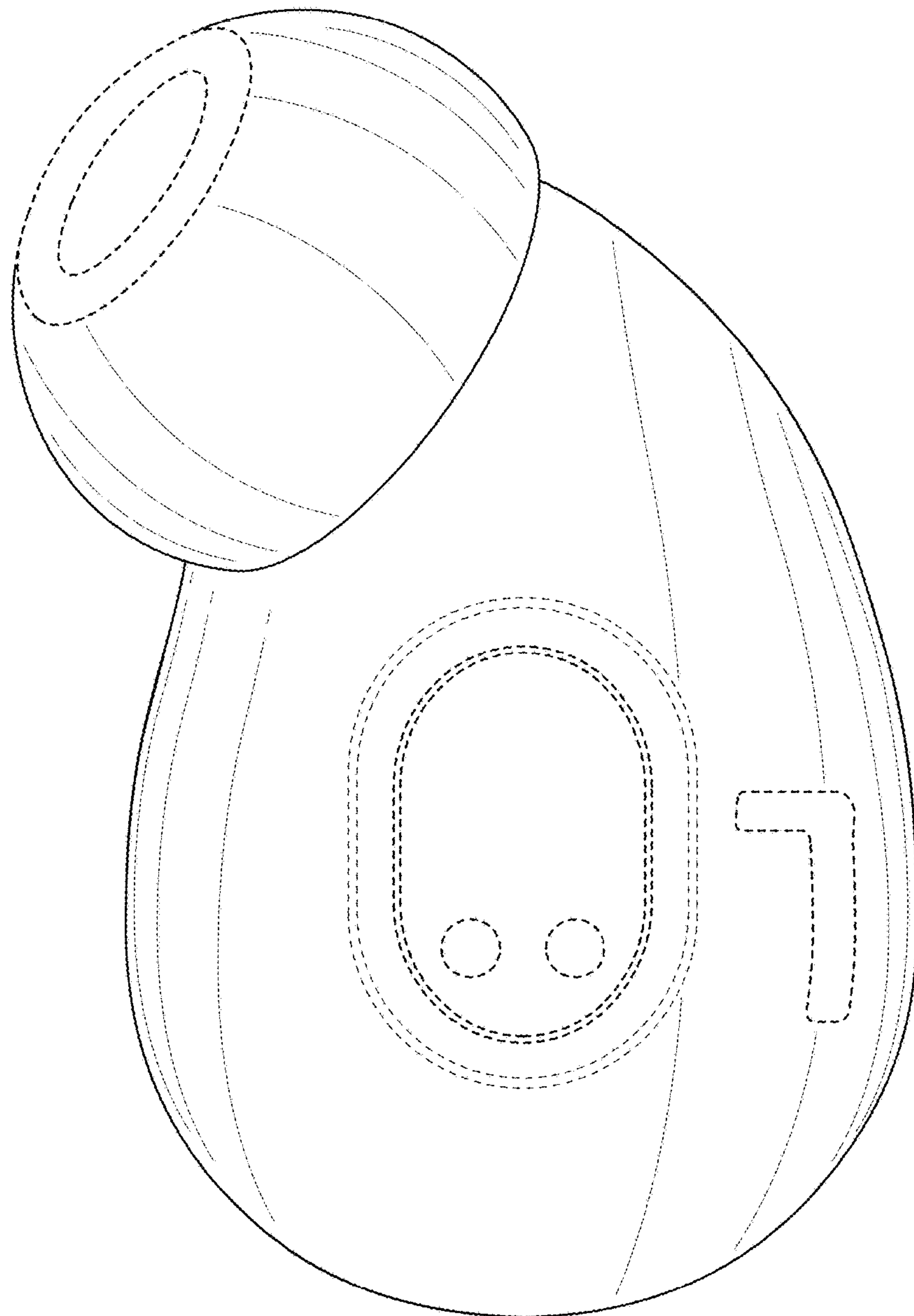


FIG. 7