



US00D845931S

(12) **United States Design Patent**
Kosuge et al.

(10) **Patent No.:** **US D845,931 S**
(45) **Date of Patent:** **** Apr. 16, 2019**

(54) **REMOTE CONTROLLER**
(71) Applicants: **Hiroyasu Kosuge**, Osaka (JP);
Alexander Schlag, Pforzheim (DE)
(72) Inventors: **Hiroyasu Kosuge**, Osaka (JP);
Alexander Schlag, Pforzheim (DE)
(73) Assignees: **DAIKIN INDUSTRIES, LTD.**,
Osaka-Shi, Osaka-Fu (JP); **DAIKIN**
EUROPE N.V., Oostende (BE)

D613,626 S * 4/2010 Wang D10/50
D614,977 S * 5/2010 Hollnagel D10/50
D645,005 S * 9/2011 Menheere D13/171
D663,643 S * 7/2012 Saikawa D10/108
D728,489 S * 5/2015 Eriksen D13/168
(Continued)

FOREIGN PATENT DOCUMENTS

EM 001975863-0001 * 1/2014
EM 003640630-0001 * 1/2017
(Continued)

(**) Term: **15 Years**

OTHER PUBLICATIONS

(21) Appl. No.: **29/637,707**

Daikin 2017 10 copyright Installation and operation manual, https://www.daikin.eu/content/dam/document-library/installation-manuals/ctrl/BRC1H51_4PEN511630-1_2017_10_Installation%20and%20operation%20manual_English.pdf, site visited Jan. 2, 2019 (Year: 2017).*

(22) Filed: **Feb. 21, 2018**

(30) **Foreign Application Priority Data**

Sep. 4, 2017 (EM) 004238285-0001

(51) **LOC (11) Cl.** **14-03**

(52) **U.S. Cl.**
USPC **D14/218**

(58) **Field of Classification Search**
USPC D14/218, 390, 159; D13/168, 164, 174,
D13/177, 162; D10/50
See application file for complete search history.

Primary Examiner — John Windmuller
Assistant Examiner — John R Yeh
(74) *Attorney, Agent, or Firm* — Manabu Kanesaka

(57) **CLAIM**

The ornamental design for remote controller, as shown and described.

(56) **References Cited**

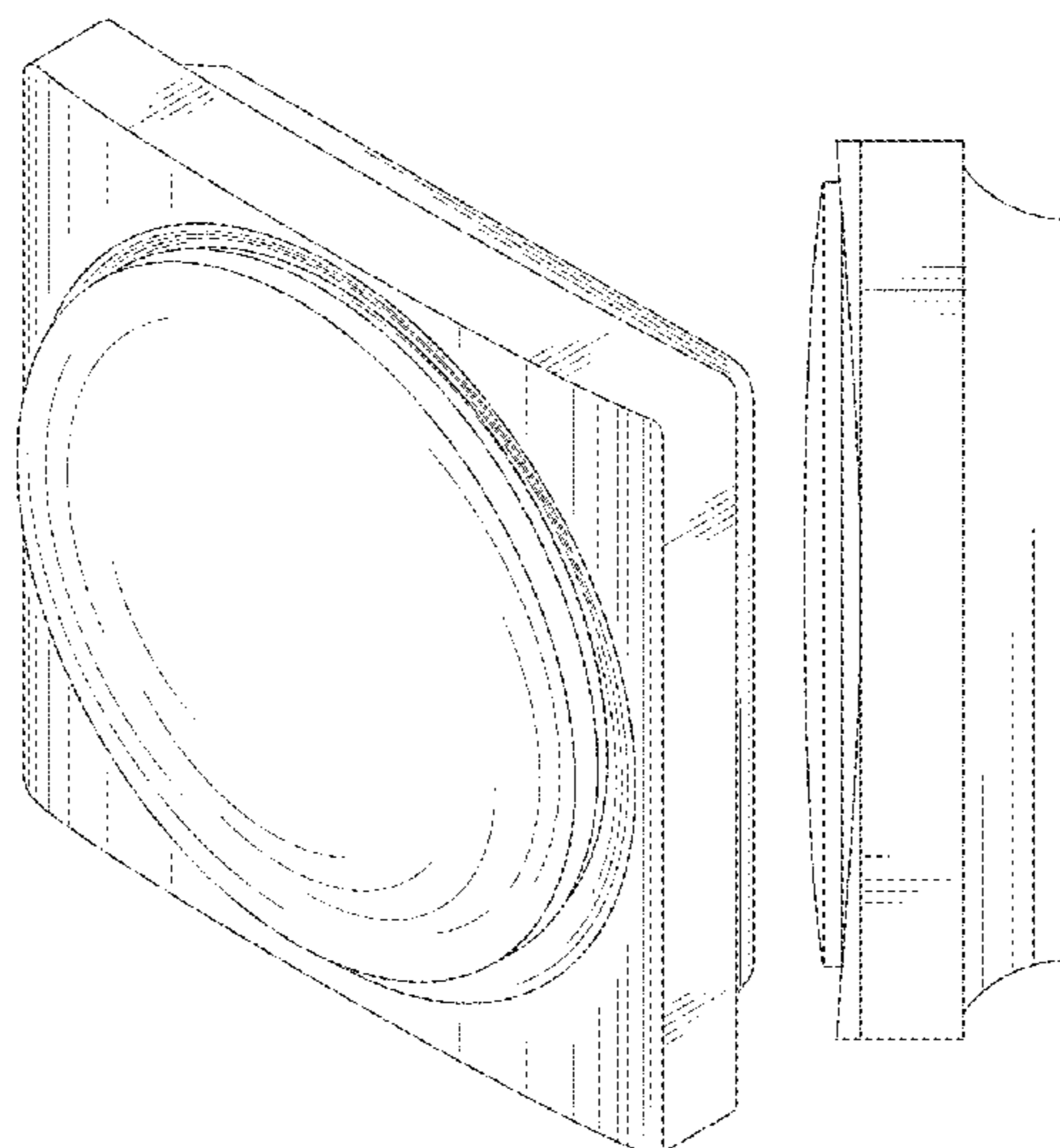
DESCRIPTION

U.S. PATENT DOCUMENTS

D225,677 S * 12/1972 Fortier et al. D10/50
D311,383 S * 10/1990 Falck D10/103
D374,658 S * 10/1996 Bever D13/171
D420,539 S * 2/2000 Tedesco D13/171
D533,144 S * 12/2006 Asada D13/171
D541,228 S * 4/2007 Thursfield D13/168
D552,563 S * 10/2007 Pratt D13/177
D558,692 S * 1/2008 Neveu D13/174
D567,186 S * 4/2008 Wechtenhiser D13/158
D580,373 S * 11/2008 Stange D13/162
D598,870 S * 8/2009 Asada D13/171
D606,595 S * 12/2009 Levy D21/405

FIG. 1 is a perspective view of a remote controller showing our new design;
FIG. 2 is a front view thereof;
FIG. 3 is a rear view thereof;
FIG. 4 is a plan view thereof;
FIG. 5 is a bottom view thereof;
FIG. 6 is a left side view thereof; and,
FIG. 7 is a right side view thereof.
The broken lines in the figures represent features of the remote controller that form no part of the claimed design.

1 Claim, 3 Drawing Sheets



(56)

References Cited

U.S. PATENT DOCUMENTS

D764,320 S * 8/2016 Li D10/50
D779,977 S * 2/2017 Jacob D10/50
D782,354 S * 3/2017 Lovin D10/101
D806,657 S * 1/2018 Russo D13/168
D831,585 S * 10/2018 Lee D13/162

FOREIGN PATENT DOCUMENTS

EM 004238285-0009 * 3/2018
IN 302982-0001 * 5/2018

* cited by examiner

Fig. 1

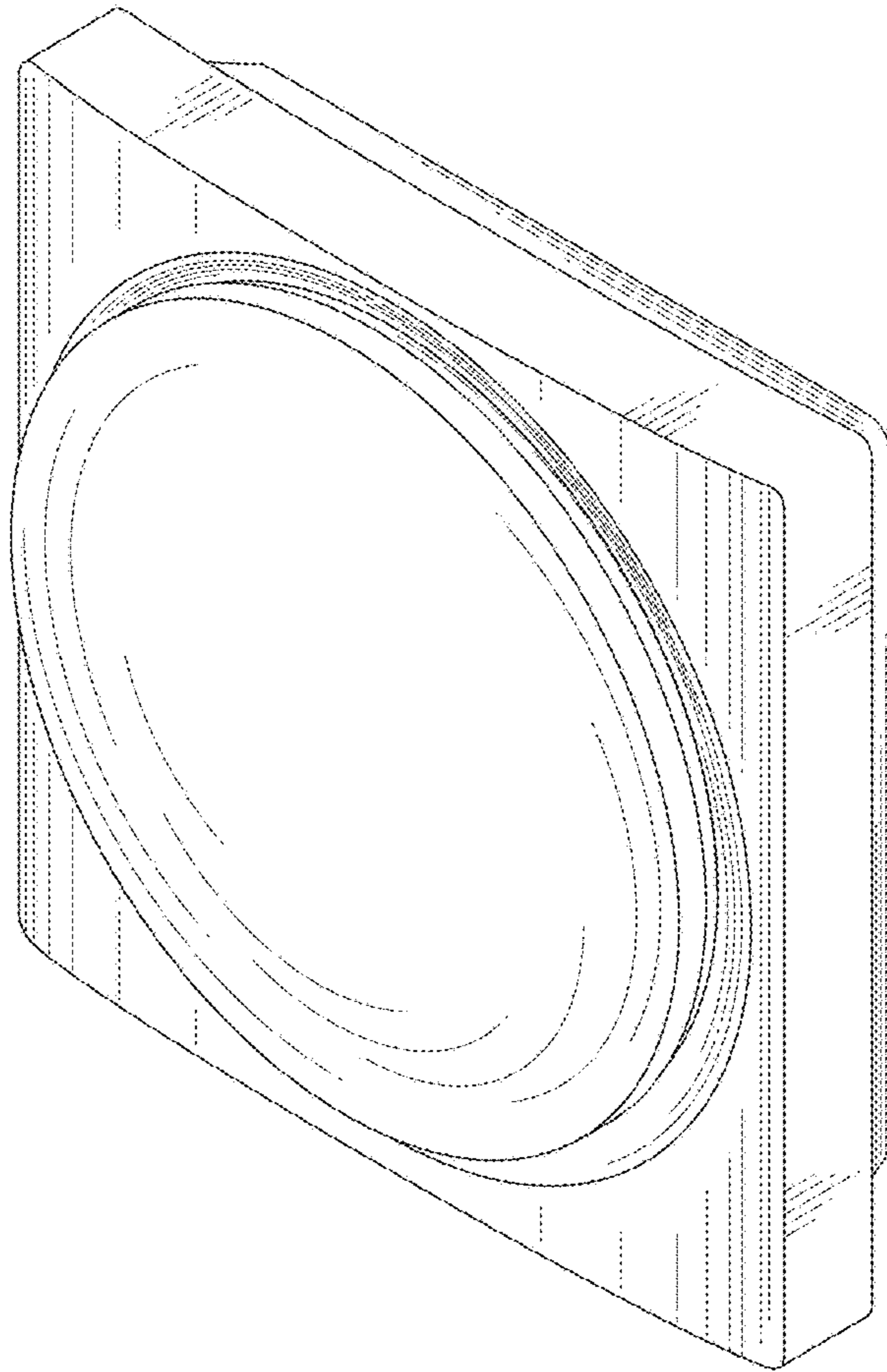


Fig. 2

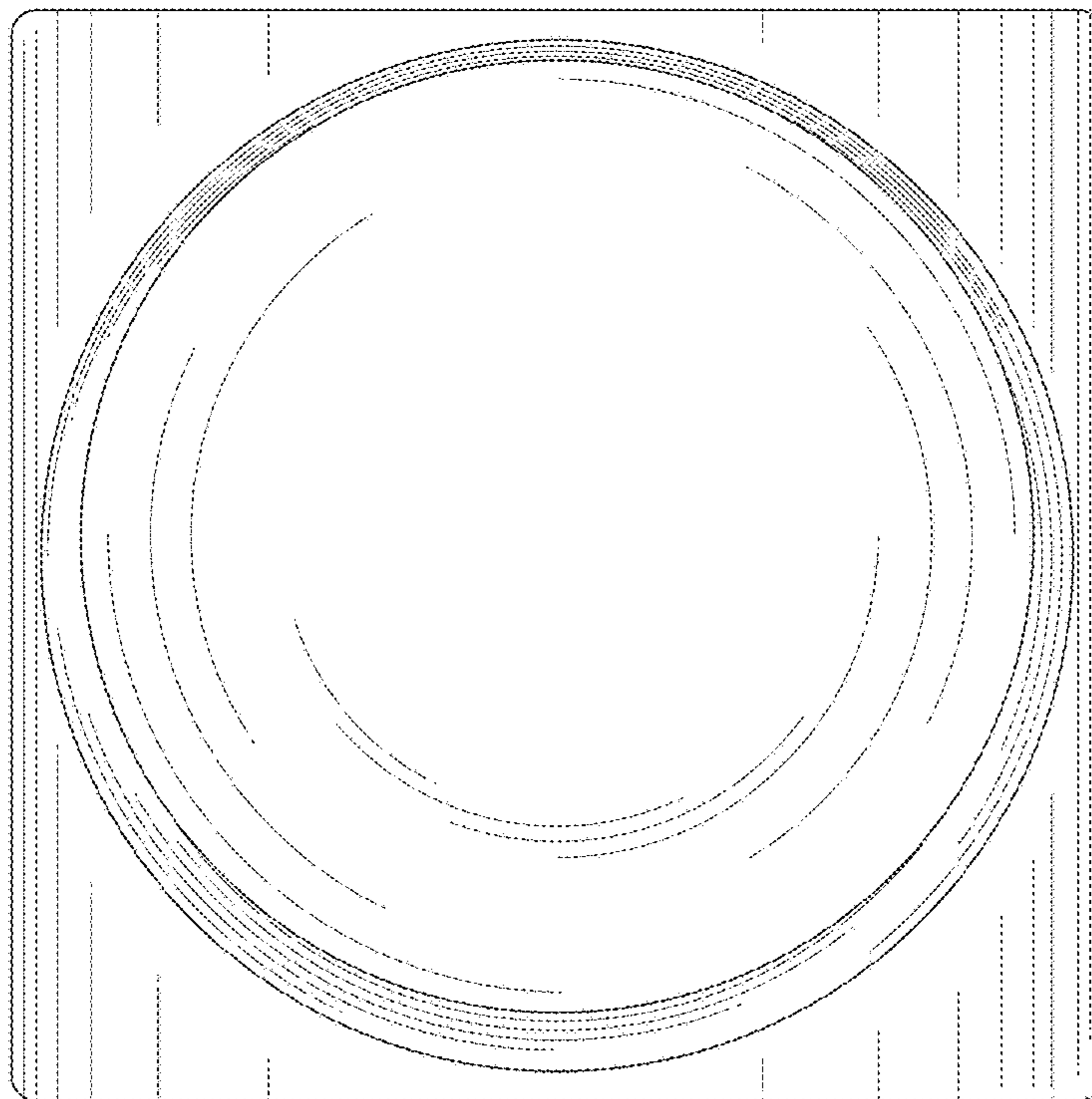


Fig.3

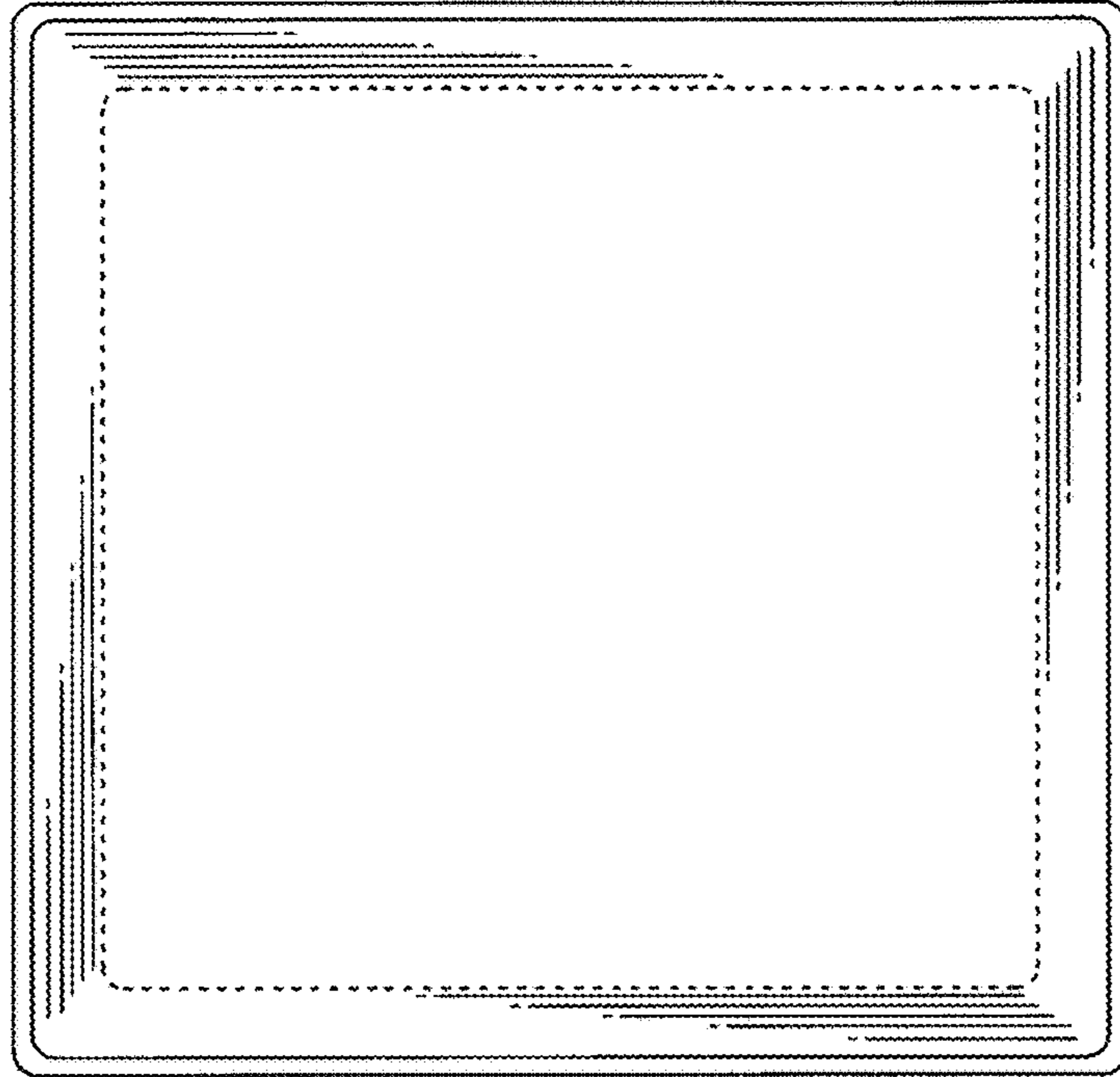


Fig.4

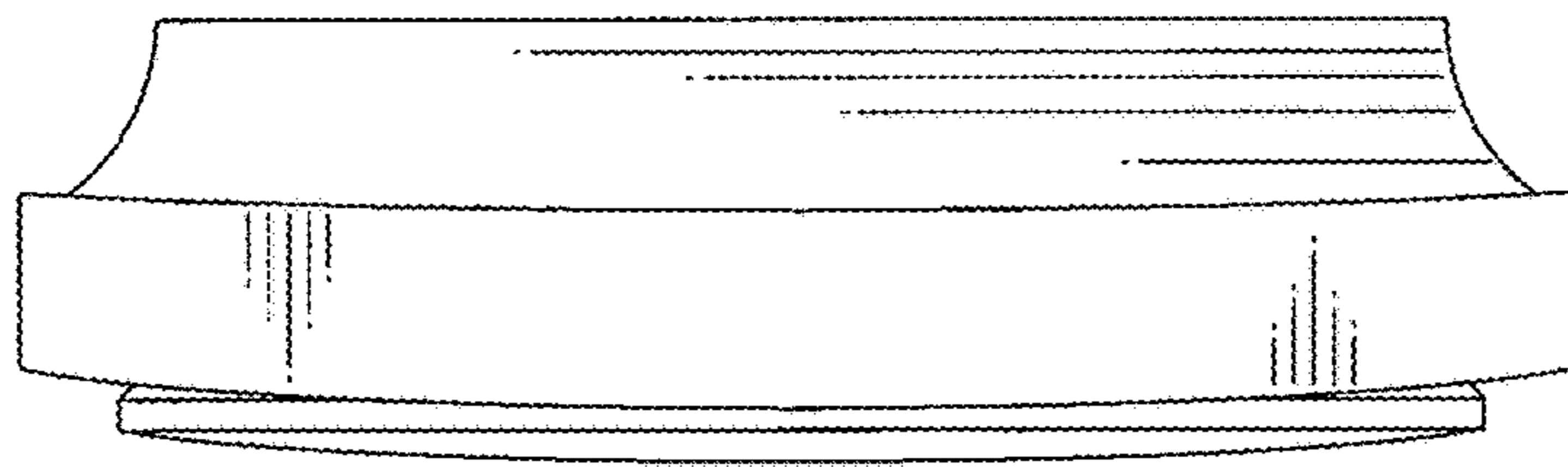


Fig.5

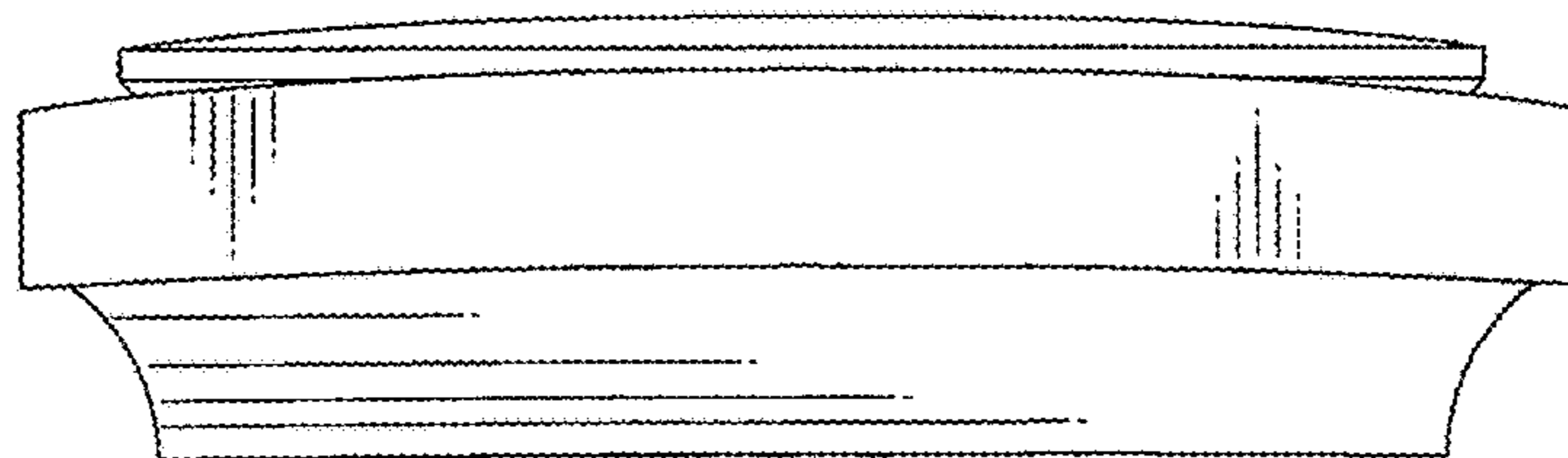


Fig.6

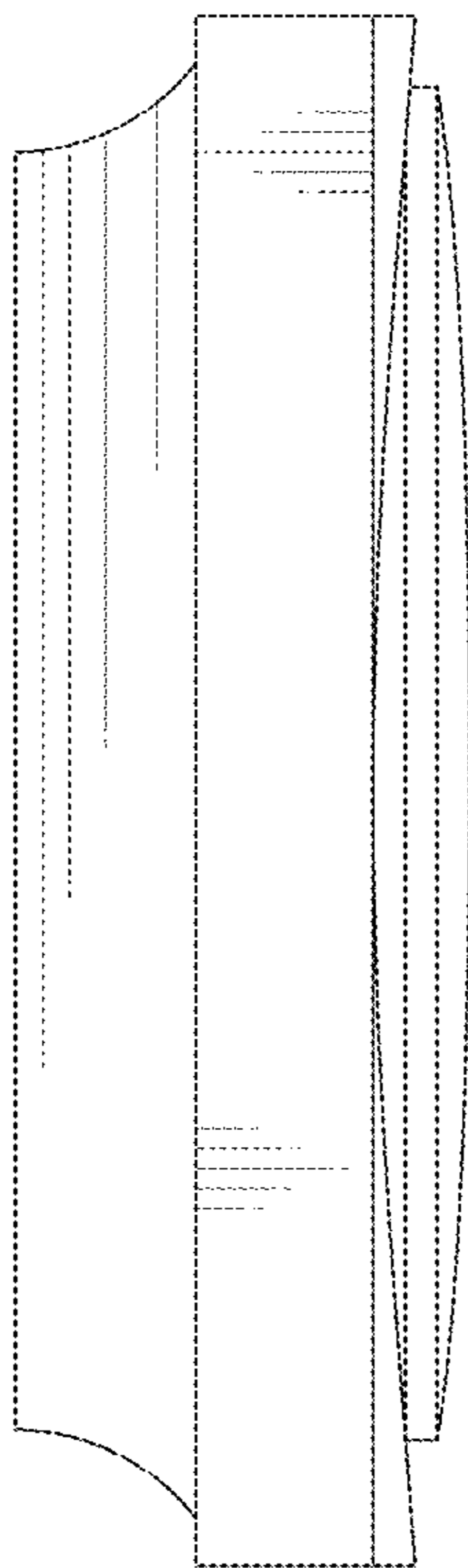


Fig.7

