



US00D845929S

(12) **United States Design Patent**
Walbroel et al.

(10) **Patent No.:** **US D845,929 S**
(45) **Date of Patent:** **** Apr. 16, 2019**

(54) **AUDIO SPEAKER**

(71) Applicants: **Jillian Walbroel**, Woodland Park, NJ (US); **Jeffrey Steel**, Hoboken, NJ (US)

(72) Inventors: **Jillian Walbroel**, Woodland Park, NJ (US); **Jeffrey Steel**, Hoboken, NJ (US)

(73) Assignee: **Cotapaxi Custom Design and Manufacturing LLC**, Carlstadt, NJ (US)

(**) Term: **15 Years**

(21) Appl. No.: **29/619,319**

(22) Filed: **Sep. 28, 2017**

(51) **LOC (11) Cl.** **14-01**

(52) **U.S. Cl.**
USPC **D14/207; D14/203.2**

(58) **Field of Classification Search**
USPC D14/204, 207, 210–216, 172, 176, 177, D14/188, 189, 209.1, 203.2, 221, 508; D3/211, 270, 325; D7/539, 571, 301, D7/594, 599, 604, 606, 613, 619.2, 628, D7/593; D9/602, 603, 607, 608, 609, D9/611, 618; D11/157–162; D21/438, D21/439, 576, 596, 604, 606–609, 611, D21/617, 788

CPC ... H04R 1/00; H04R 1/02; H04R 9/06; H04R 11/02; H04R 2400/00; H05K 5/00; H05K 5/03; H05K 5/04

See application file for complete search history.

(56) **References Cited**

U.S. PATENT DOCUMENTS

D241,163 S * 8/1976 Zivica D14/189
D241,496 S * 9/1976 Grode D7/594
D248,651 S * 7/1978 Zivica D10/6
D307,268 S * 4/1990 Lee D14/126
D344,659 S * 3/1994 Hsu D7/514
D434,607 S * 12/2000 Hansen D7/606

D507,181 S * 7/2005 Malik D9/451
D599,625 S * 9/2009 Lessells D7/606
D619,408 S * 7/2010 Hughes, II D7/301
D682,941 S * 5/2013 Nash D19/69
D698,599 S * 2/2014 Malik D7/392.1
D723,337 S * 3/2015 Diamond D7/606
D730,316 S * 5/2015 Burchfield D14/207
D749,911 S * 2/2016 Diamond D7/606
D749,912 S * 2/2016 Diamond D7/606
D775,895 S * 1/2017 Mayberry D7/515
D776,084 S * 1/2017 Clark D14/207
9,621,983 B1 * 4/2017 Saati H04R 1/345

(Continued)

OTHER PUBLICATIONS

Texas A&M 1956 Speed Mini Helmet, online, no post date, <URL: <http://www.riddell.com/shop/collectibles/texas-a-m-1956-speed-mini-helmet.html>>, retrieved Jan. 14, 2019.*

Primary Examiner — Jeffrey D Asch
Assistant Examiner — Rebekah A Caruso

(74) *Attorney, Agent, or Firm* — Steven E. Shapiro

(57) **CLAIM**

The ornamental design for an audio speaker, as shown and described.

DESCRIPTION

FIG. 1 is a top, front perspective view of an audio speaker incorporating our new design;

FIG. 2 is a bottom, rear perspective view of the audio speaker;

FIG. 3 is a front elevation view of the audio speaker;

FIG. 4 is a rear elevation view of the audio speaker;

FIG. 5 is a left side elevation view of the audio speaker;

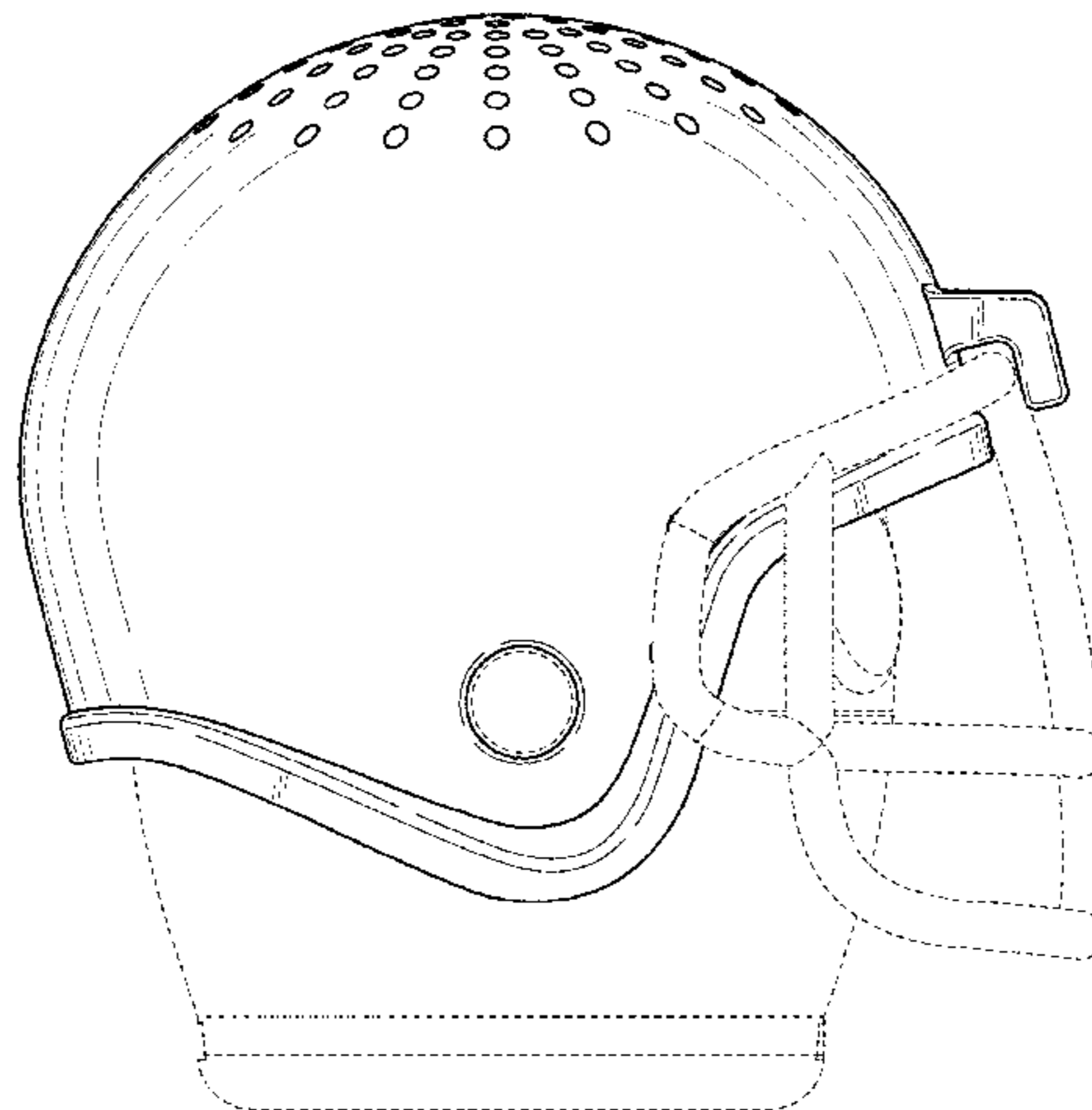
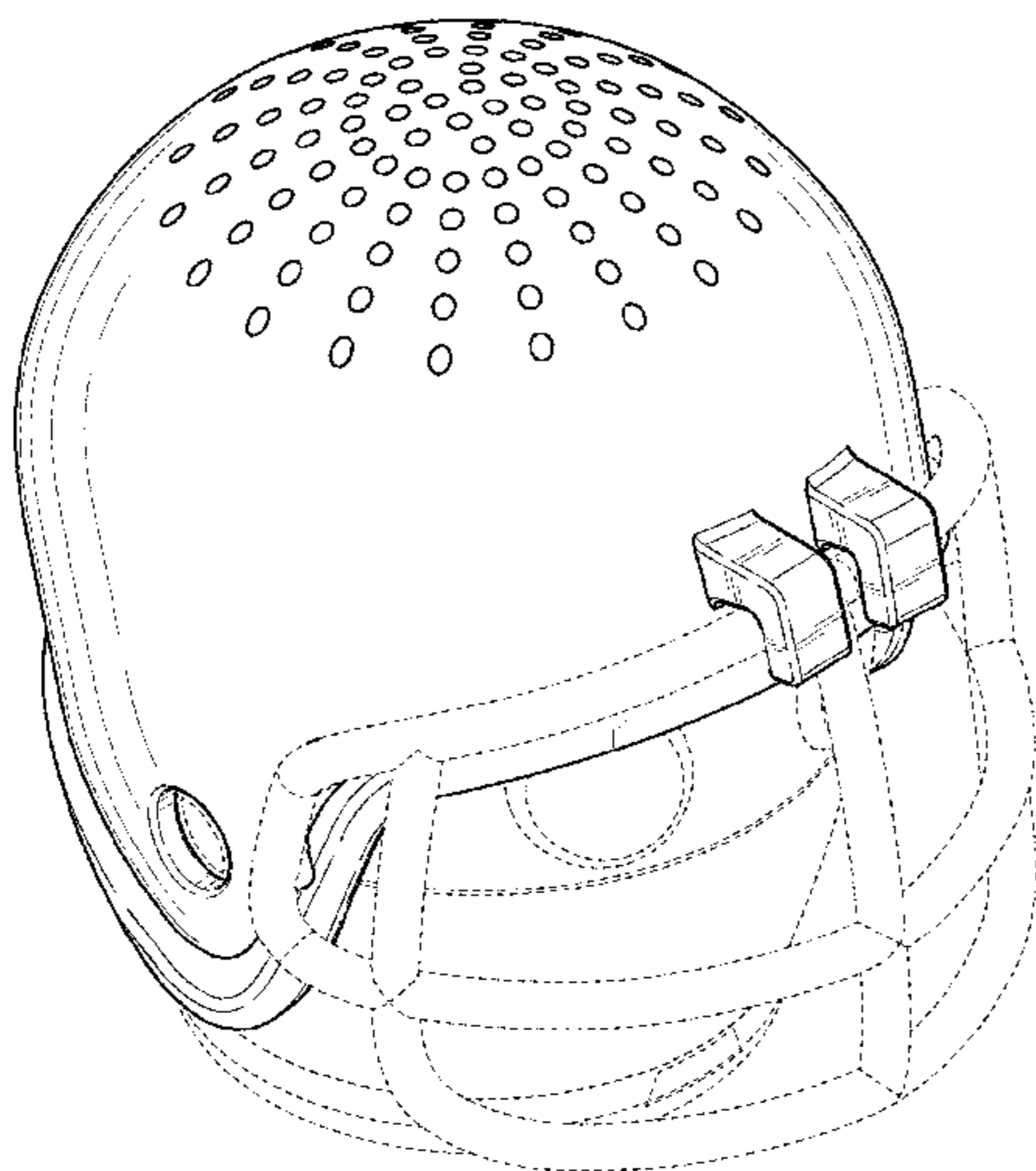
FIG. 6 is a right side elevation view of the audio speaker;

FIG. 7 is a top plan view of the audio speaker; and,

FIG. 8 is a bottom plan view of the audio speaker.

The broken lines represent portions of the audio speaker that form no part of the claimed design.

1 Claim, 8 Drawing Sheets



(56)

References Cited

U.S. PATENT DOCUMENTS

D804,251 S * 12/2017 Jenkins D7/515
D809,479 S * 2/2018 Clark D14/207
D814,472 S * 4/2018 Lee D14/434
D834,417 S * 11/2018 Luther D9/451
2016/0057538 A1* 2/2016 Clark H04R 3/12
381/77

* cited by examiner

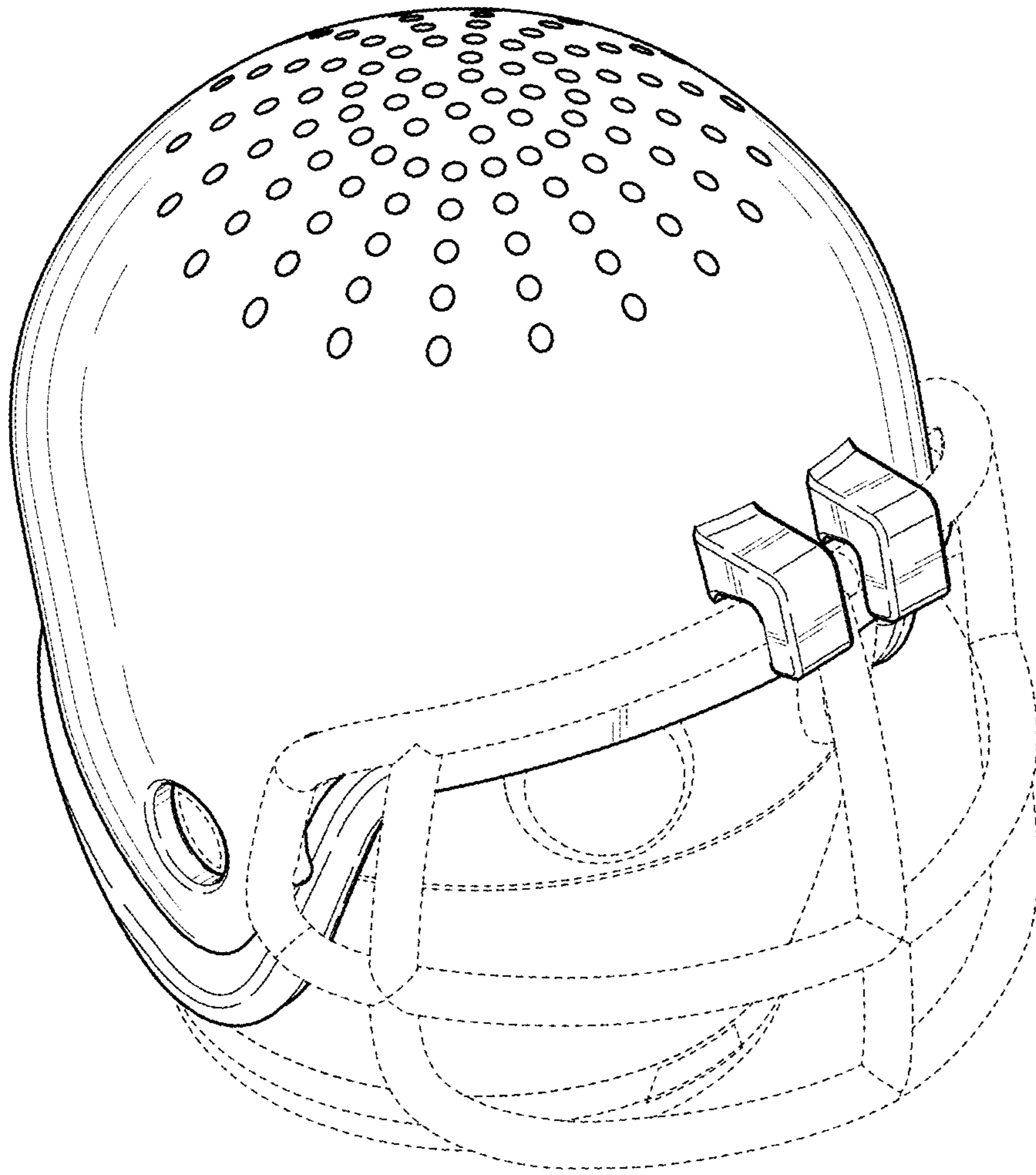


FIG. 1

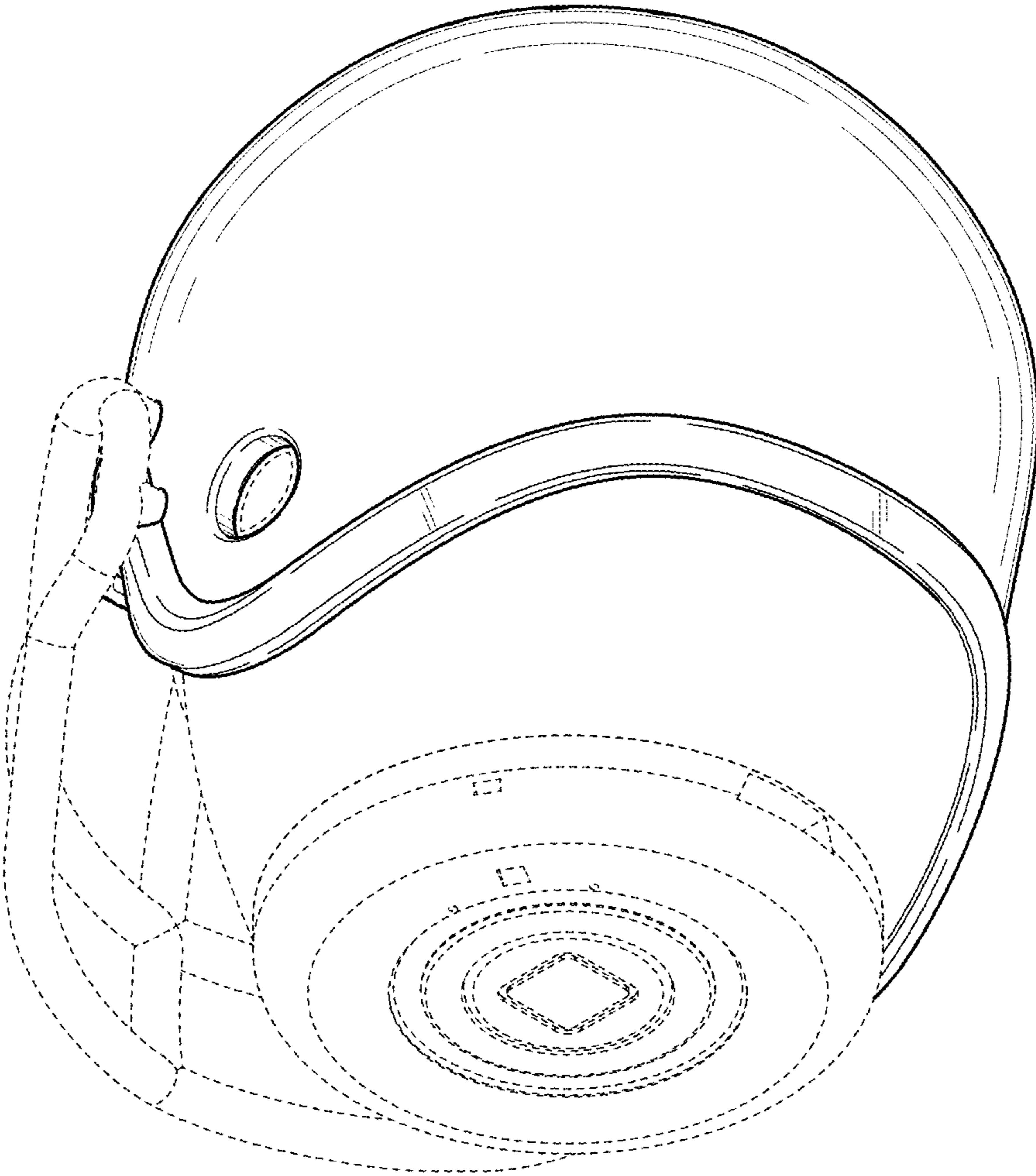


FIG. 2

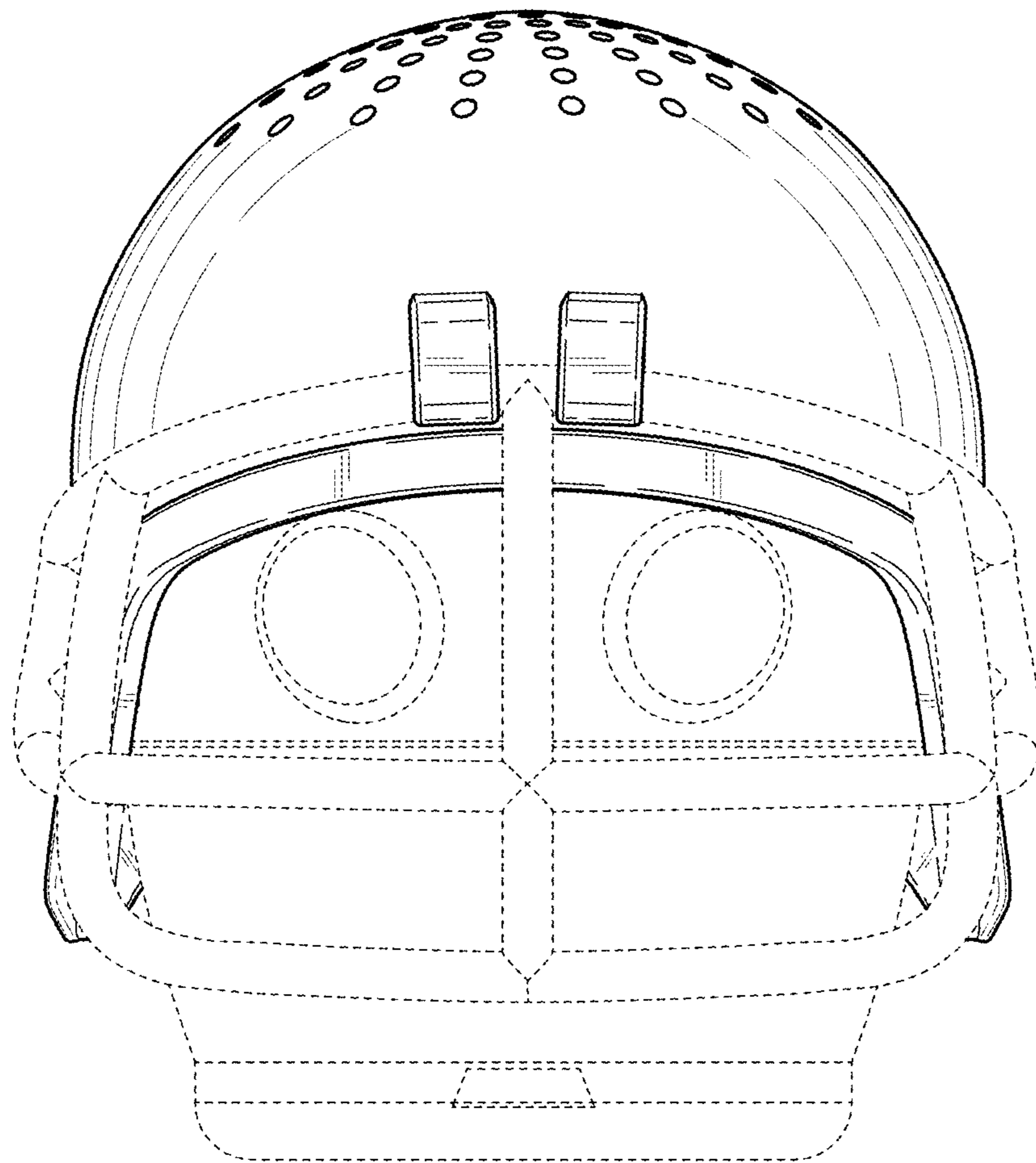


FIG. 3

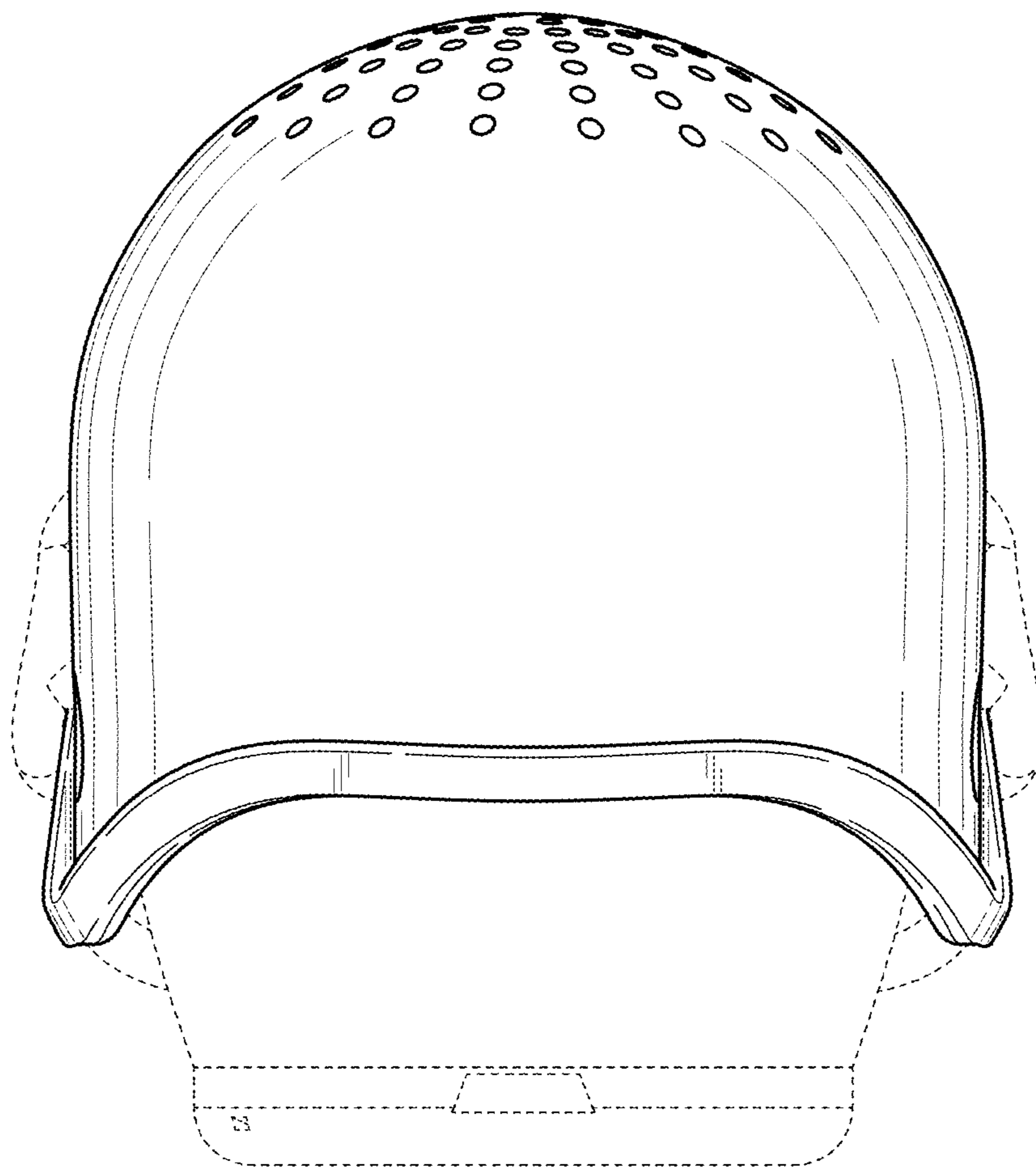


FIG. 4

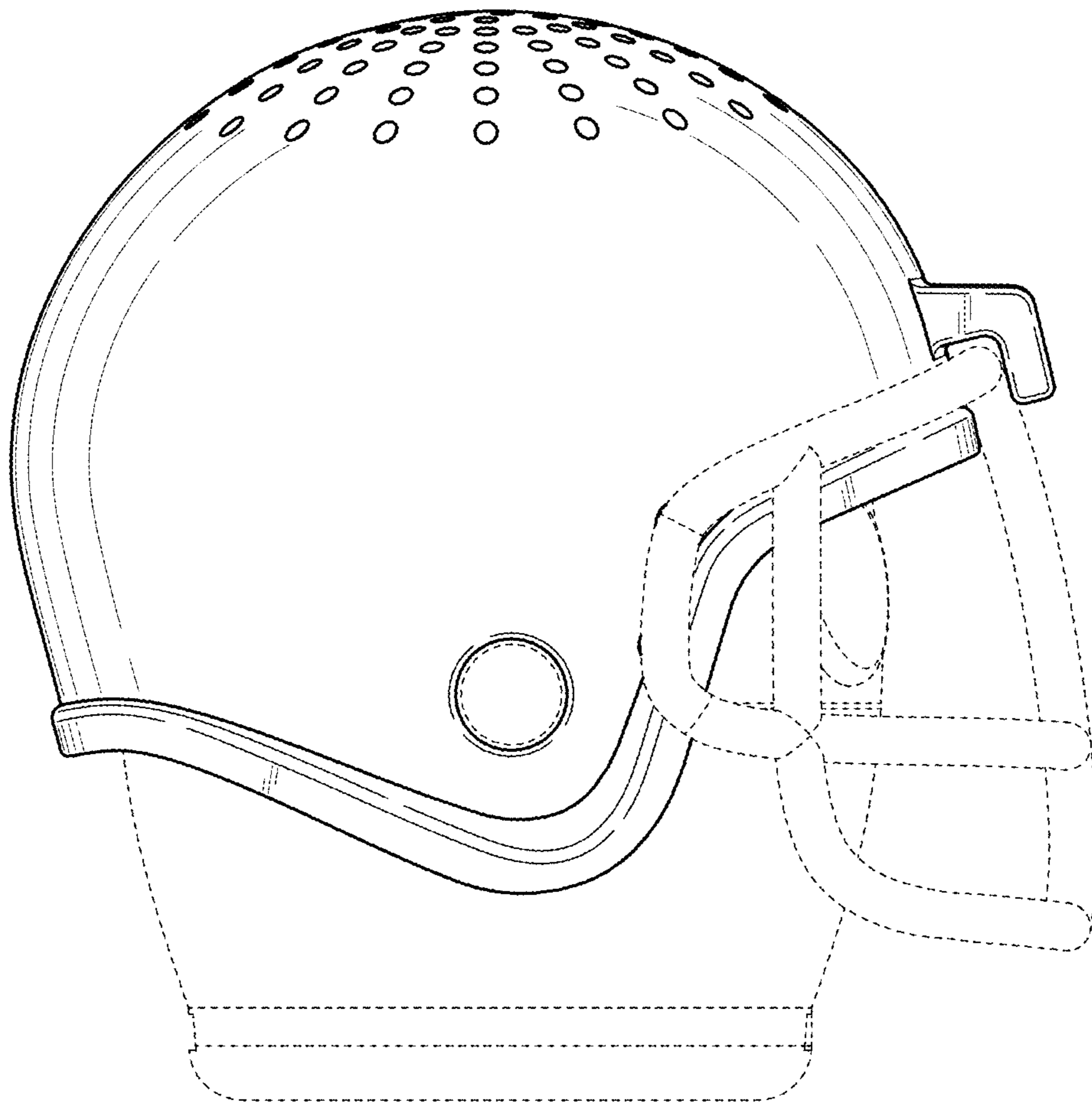


FIG. 5

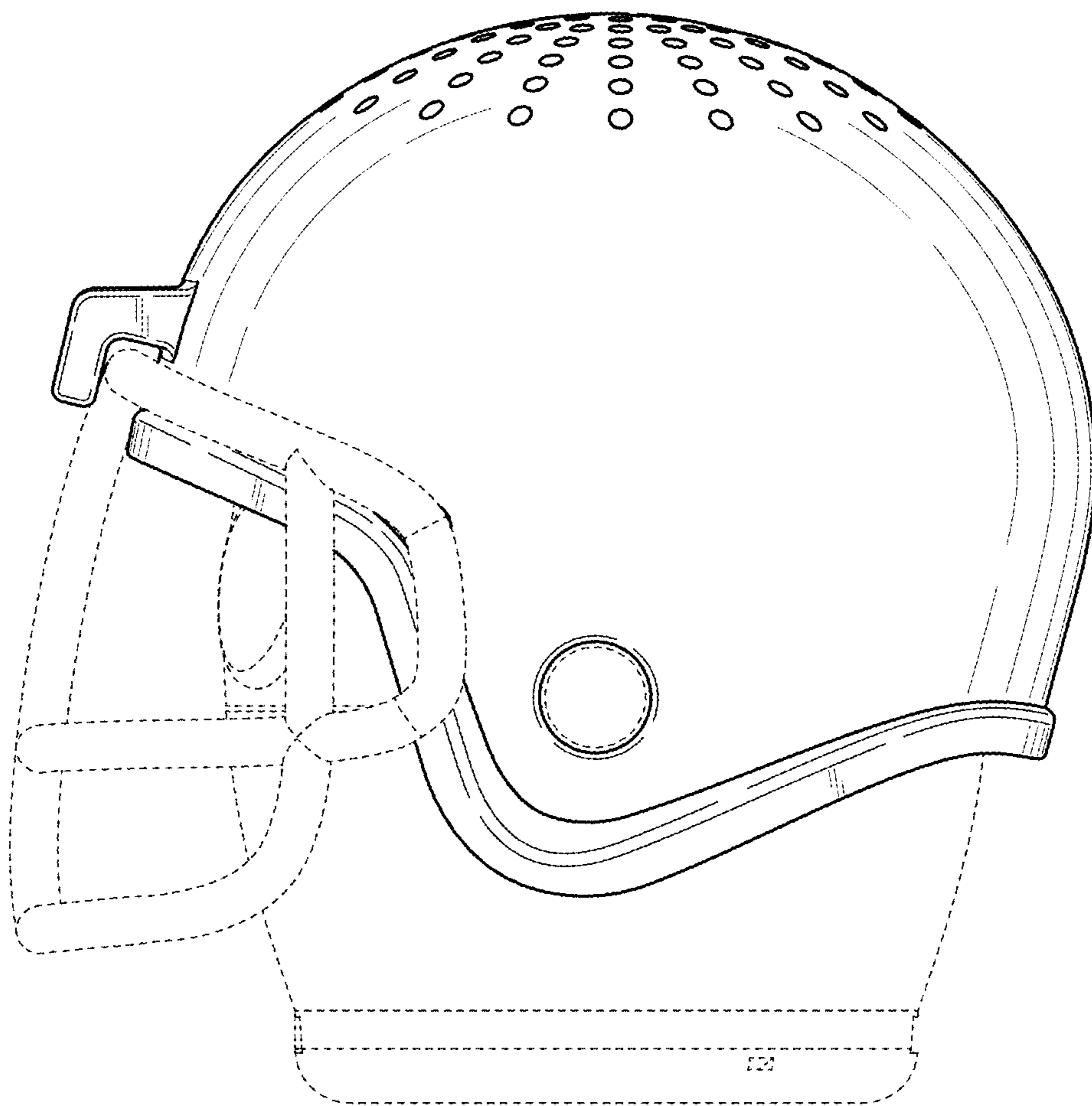


FIG. 6

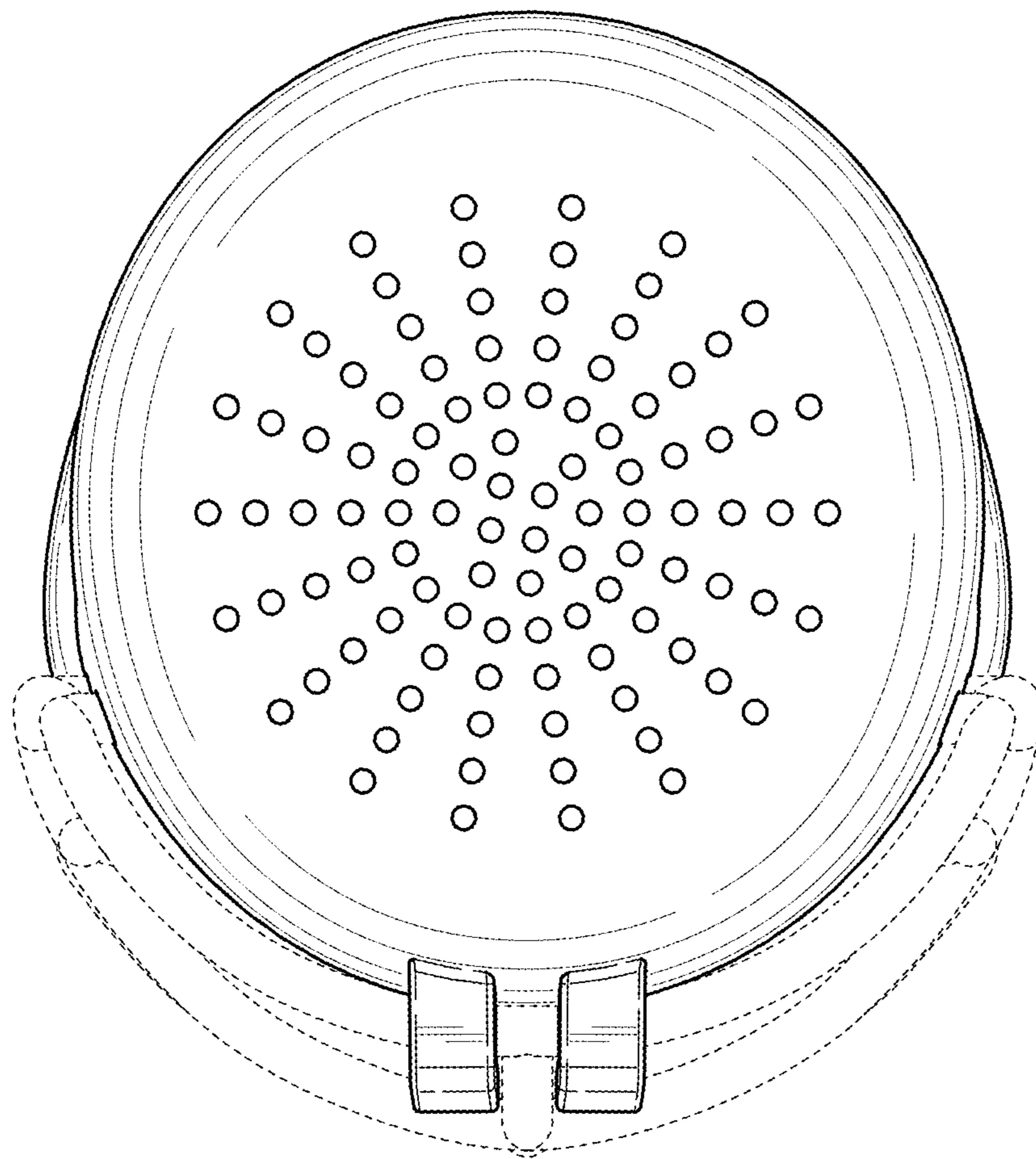


FIG. 7

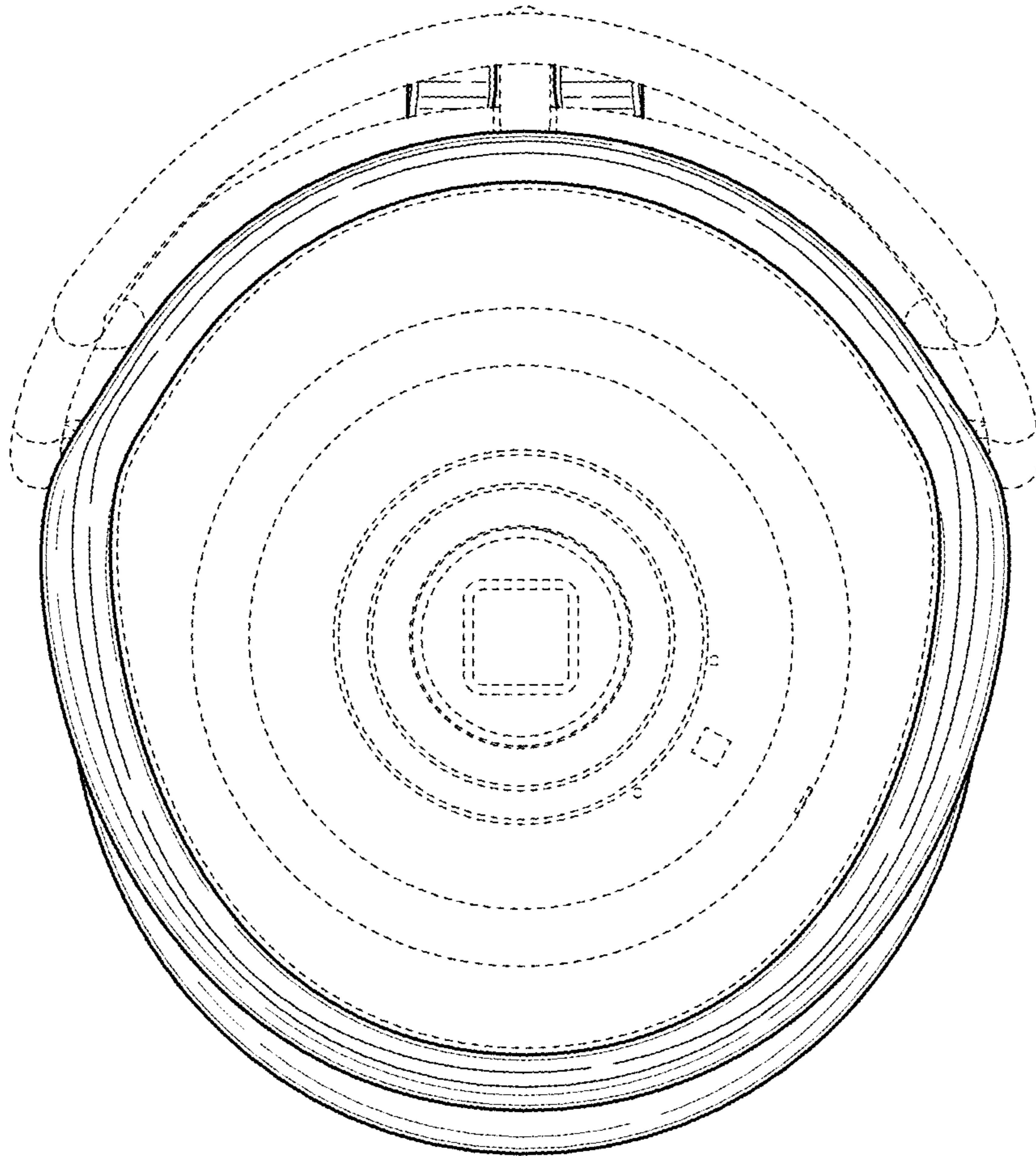


FIG. 8