



US00D845928S

(12) **United States Design Patent**
Lee et al.

(10) **Patent No.:** **US D845,928 S**
(45) **Date of Patent:** **** Apr. 16, 2019**

(54) **HEADSET**
(71) Applicant: **Kingston Digital, Inc.**, Fountain Valley, CA (US)
(72) Inventors: **Baron King Lee**, Fountain Valley, CA (US); **Peter Leekuo Chou**, Fountain Valley, CA (US); **Lung Yuan Chen**, Hsinchu (TW); **Wei Min Liang**, Hsinchu (TW)
(73) Assignee: **Kingston Digital, Inc.**, Fountain Valley, CA (US)
(**) Term: **15 Years**

3,971,900 A * 7/1976 Foley H04M 1/05
379/430
4,273,969 A * 6/1981 Foley H04M 1/05
174/86
4,420,657 A * 12/1983 Larkin H04M 1/05
181/129
4,741,030 A * 4/1988 Wilson H04M 1/05
379/368
D299,337 S * 1/1989 Wiegel D14/206
D299,643 S * 1/1989 Kubota D14/223
4,893,344 A * 1/1990 Tragardh H04M 1/05
379/430
D324,385 S * 3/1992 Yoda D14/192
5,185,807 A * 2/1993 Bergin H04R 1/1066
181/128
5,210,792 A * 5/1993 Kajihara H04M 1/05
379/430

(21) Appl. No.: **29/613,869**
(22) Filed: **Aug. 14, 2017**
(30) **Foreign Application Priority Data**

Mar. 14, 2017 (TW) 106301280

(51) **LOC (11) Cl.** **14-01**
(52) **U.S. Cl.**
USPC **D14/206**
(58) **Field of Classification Search**
USPC D14/206, 205, 225, 226, 188, 192;
D29/112; 2/209; 181/129, 130, 135;
379/430, 431; 381/380, 381, 370, 374,
381/328, 382, 379, 377, 378, 371;
455/90.3, 575.1, 569.1
CPC H04R 1/1066; H04R 1/1016; H04R 25/00;
H04R 25/02; H04R 1/083; H04R 1/1091;
H04R 5/033; H04R 5/0335
See application file for complete search history.

(56) **References Cited**
U.S. PATENT DOCUMENTS
3,681,540 A * 8/1972 Thomson H04R 1/1066
381/374
3,787,899 A * 1/1974 Krawagna H04R 1/1066
2/209

(Continued)

Primary Examiner — Paula Allen Greene
(74) *Attorney, Agent, or Firm* — Skaar Ulbrich Macari, P.A.

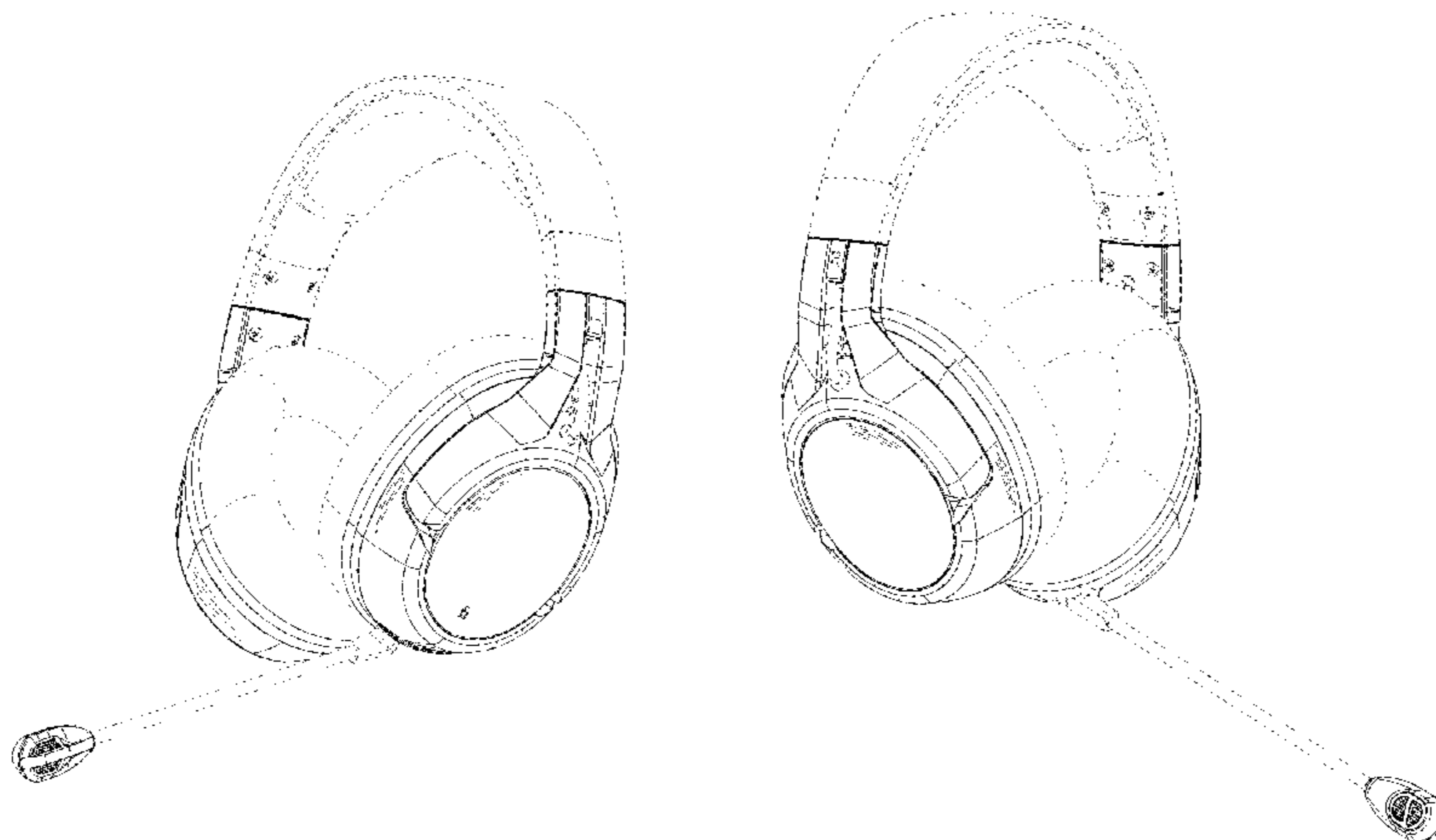
(57) **CLAIM**

We claim an ornamental design for a headset, as shown and described.

DESCRIPTION

FIG. 1 is a perspective view of a headset showing the claimed design;
FIG. 2 is another perspective view of FIG. 1;
FIG. 3 is a front elevational view of FIG. 1;
FIG. 4 is a rear elevational view of FIG. 1;
FIG. 5 is a left side elevational view of FIG. 1;
FIG. 6 is a right side elevational view of FIG. 1;
FIG. 7 is a top plan view of FIG. 1; and,
FIG. 8 is a bottom plan view of FIG. 1.
The broken lines in the figures represent portions of the article which form no part of the claimed design.

1 Claim, 8 Drawing Sheets



(56)

References Cited

U.S. PATENT DOCUMENTS

D365,559 S * 12/1995 Fathi D14/142
 D366,486 S * 1/1996 Runquist D14/142
 D377,174 S * 1/1997 Runquist D14/206
 6,101,260 A * 8/2000 Jensen H04M 1/05
 379/430
 6,320,960 B1 * 11/2001 Lathrop H04M 1/05
 379/430
 6,594,366 B1 * 7/2003 Adams H04B 1/3805
 381/74
 D505,415 S * 5/2005 Han D14/223
 D519,497 S * 4/2006 Komiyama D14/223
 D531,165 S * 10/2006 Rath D14/206
 D538,261 S * 3/2007 Taylor D14/205
 D541,255 S * 4/2007 Taylor D14/205
 D542,774 S * 5/2007 Rausch D14/206
 D544,650 S * 6/2007 Westerdal D29/112
 7,292,704 B2 * 11/2007 Lederer G01R 33/283
 381/380
 D566,688 S * 4/2008 Wang D14/206
 7,391,863 B2 * 6/2008 Viduya H04M 1/05
 379/430
 D589,932 S * 4/2009 Komiyama D14/205
 D591,263 S * 4/2009 Shimizu D14/205
 D602,467 S * 10/2009 Oguro D14/205
 D602,908 S * 10/2009 Ham D14/206
 D625,703 S * 10/2010 Kolton D14/205
 D628,189 S * 11/2010 Rath D14/206
 D628,554 S * 12/2010 Tedja D14/205
 D637,579 S * 5/2011 Hamaura D14/205
 D641,725 S * 7/2011 Chong D14/205
 D641,727 S * 7/2011 Krauss D14/206
 D642,554 S * 8/2011 Schaal D14/205
 D643,405 S * 8/2011 Rath D14/206
 D648,706 S * 11/2011 Gresko D14/205
 D651,586 S * 1/2012 Lee D14/205
 D651,764 S * 1/2012 Gresko A61F 11/14
 D29/112

8,139,807 B2 * 3/2012 Reiss H04R 1/1083
 381/371
 D665,775 S * 8/2012 Katsumata D14/205
 D666,168 S * 8/2012 Rath D14/206
 D666,990 S * 9/2012 Komiyama D14/205
 D668,240 S * 10/2012 Brandis D14/206
 D669,450 S * 10/2012 Katsumata D14/205
 D669,574 S * 10/2012 Nordstrom A61F 11/14
 D14/205
 D673,136 S * 12/2012 Kelly D14/205
 D677,243 S * 3/2013 Kitayama D14/205
 D683,717 S * 6/2013 Kelly D14/205
 D685,759 S * 7/2013 Kelly D14/205
 8,559,665 B2 * 10/2013 Schmidt H04R 1/1066
 381/370
 D699,702 S * 2/2014 Chen D14/205
 D701,193 S * 3/2014 Kelly D14/205
 D713,375 S * 9/2014 Dedinas D14/206
 D713,376 S * 9/2014 Dedinas D14/206
 D723,507 S * 3/2015 Zambelli D14/205
 D729,196 S * 5/2015 Liu D14/205
 9,036,849 B2 * 5/2015 Thompson H04R 1/083
 381/122
 D733,092 S * 6/2015 Gan D14/205
 D740,256 S * 10/2015 Carr D14/206
 D741,286 S * 10/2015 Brennwald D14/205
 D745,860 S * 12/2015 Logan D14/206
 D747,291 S * 1/2016 Lee D14/205
 D753,884 S * 4/2016 Bonney D29/112
 D754,632 S * 4/2016 Matsumura D14/205
 D759,626 S * 6/2016 Wagner D14/205
 D760,689 S * 7/2016 Gecawicz D14/206
 D788,071 S * 5/2017 Logan D14/205
 D806,675 S * 1/2018 Fuglsang D14/206
 D815,614 S * 4/2018 Tzeng D14/205
 10,026,391 B2 * 7/2018 Lin H04R 1/406
 2011/0194721 A1 * 8/2011 Schmidt H04R 1/1066
 381/370

* cited by examiner

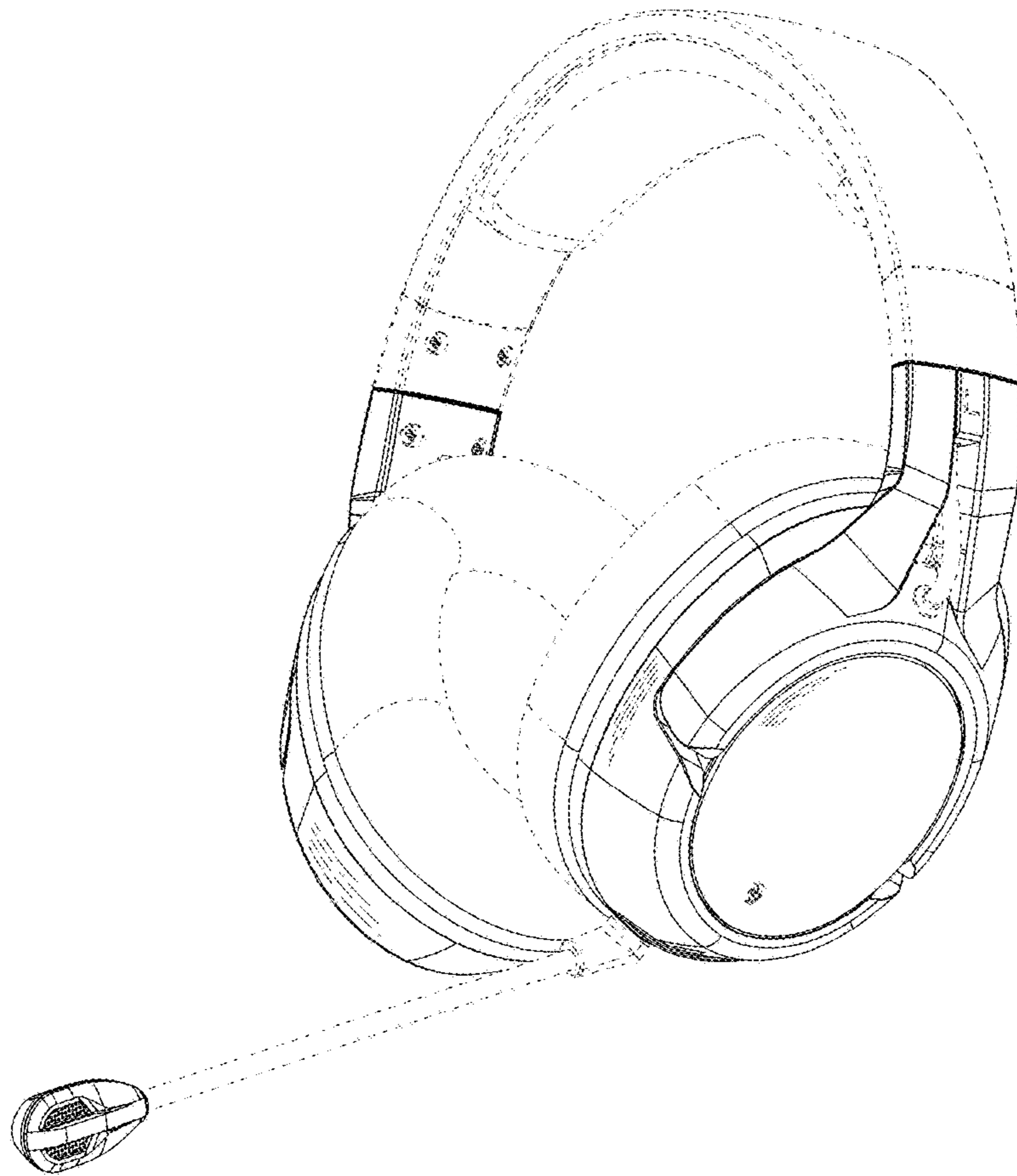


FIG. 1

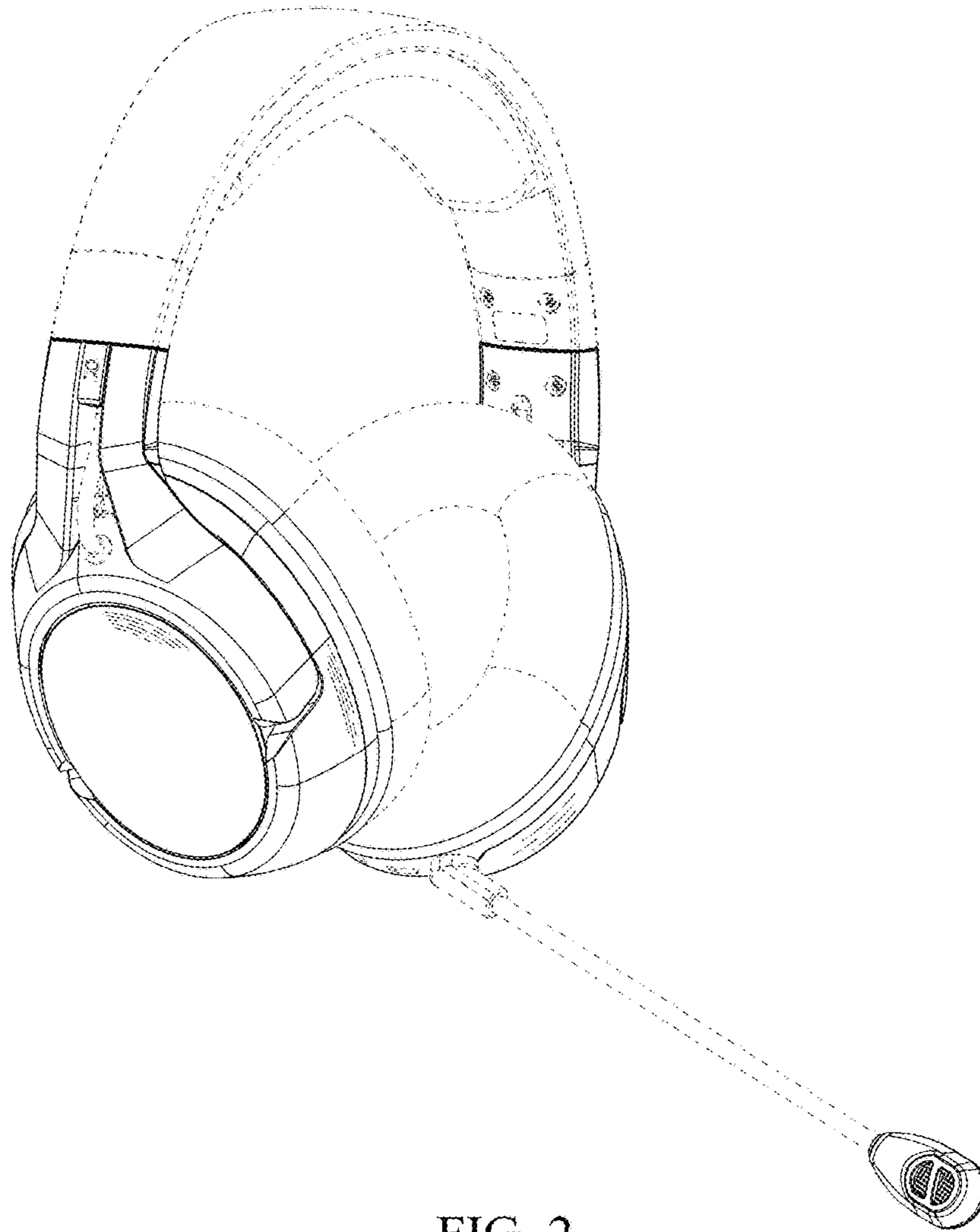


FIG. 2

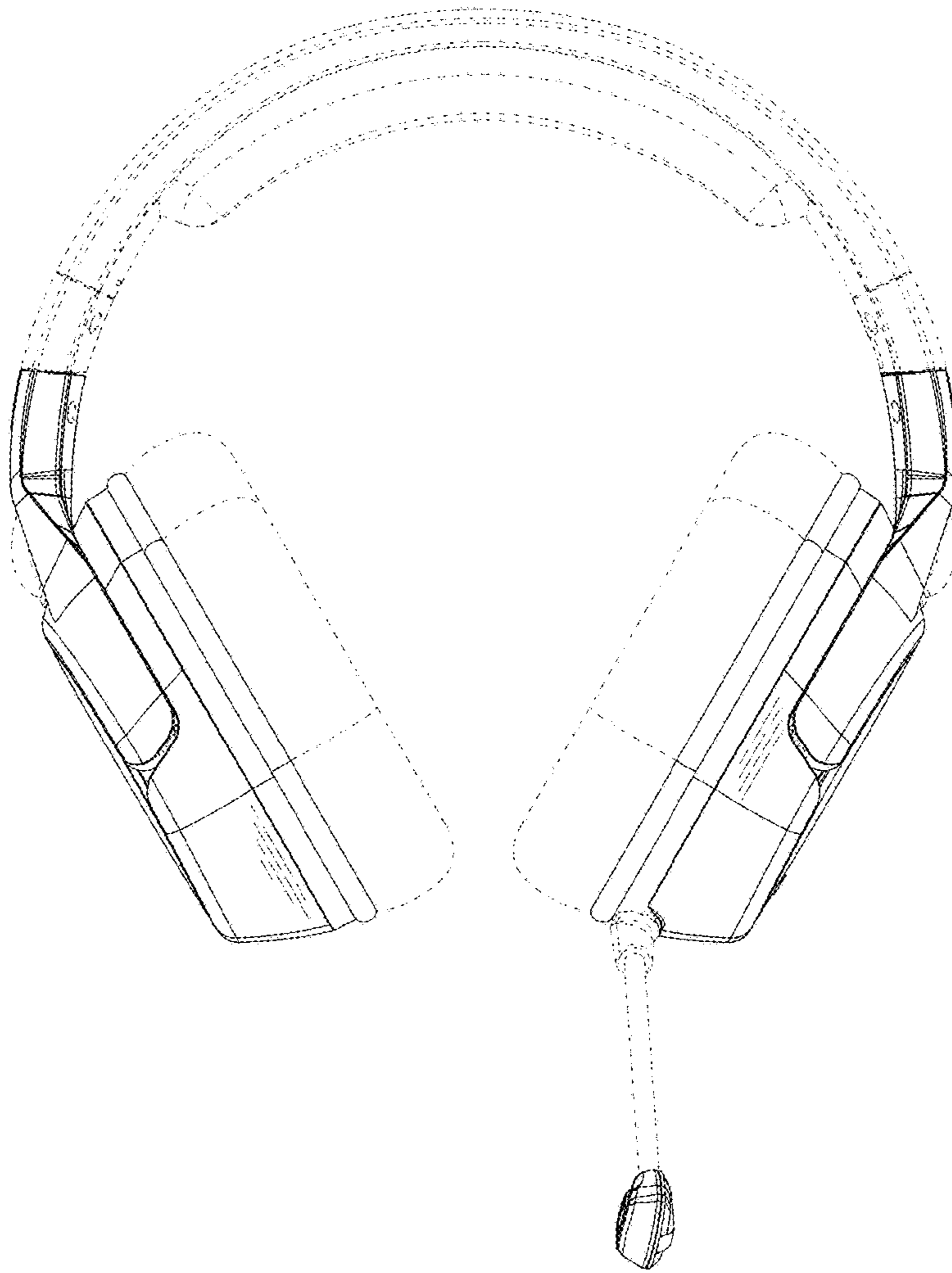


FIG. 3

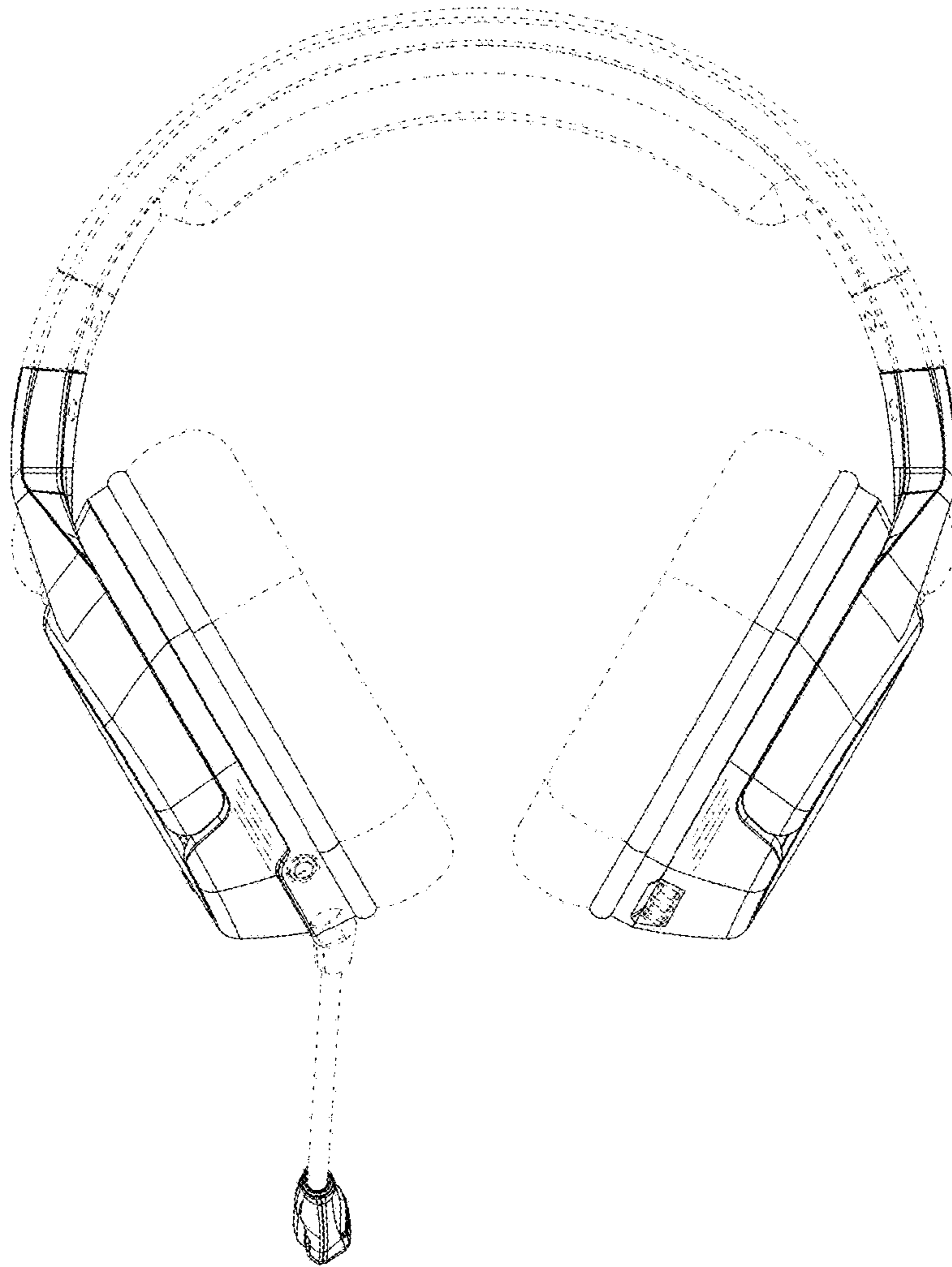


FIG. 4

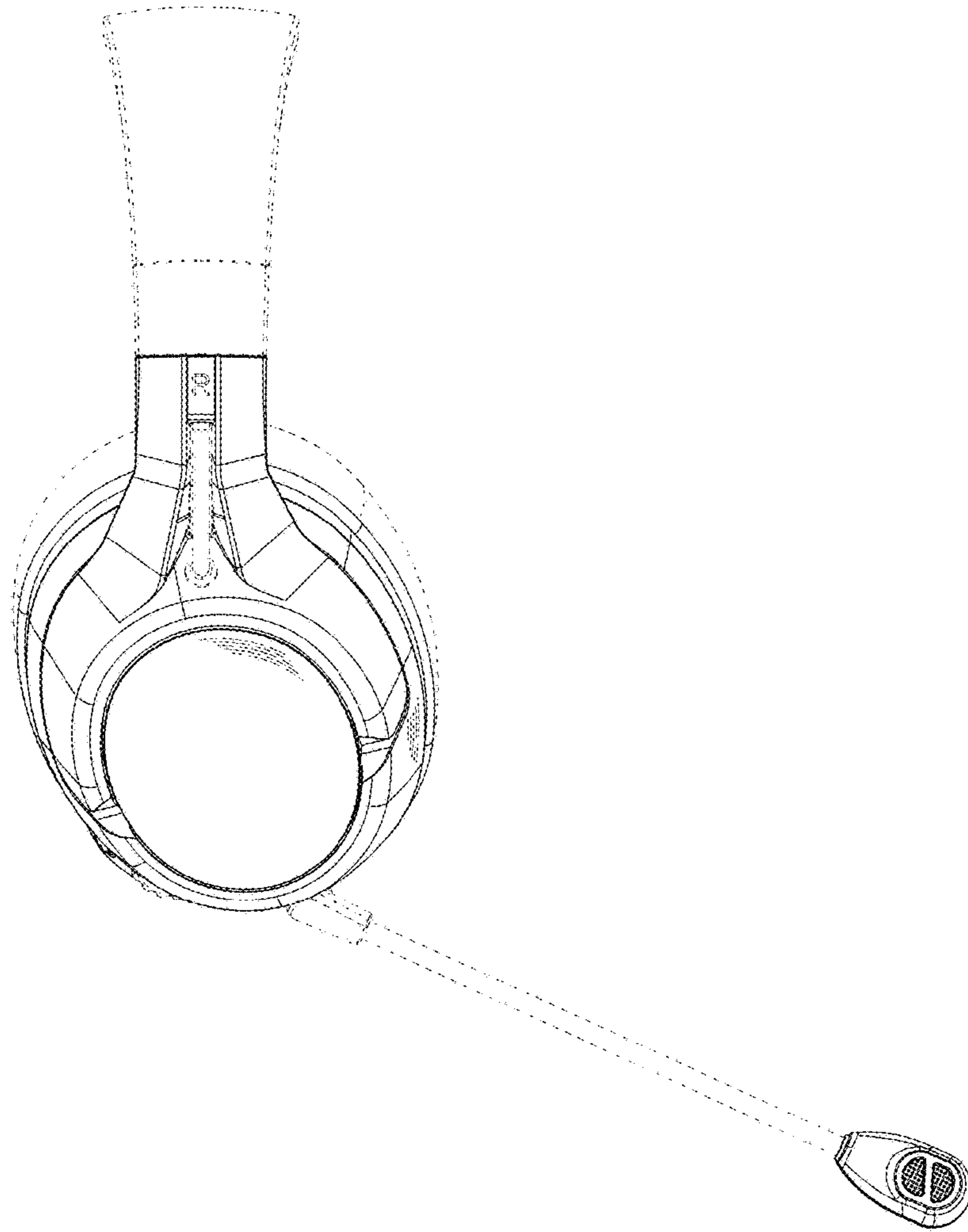


FIG. 5

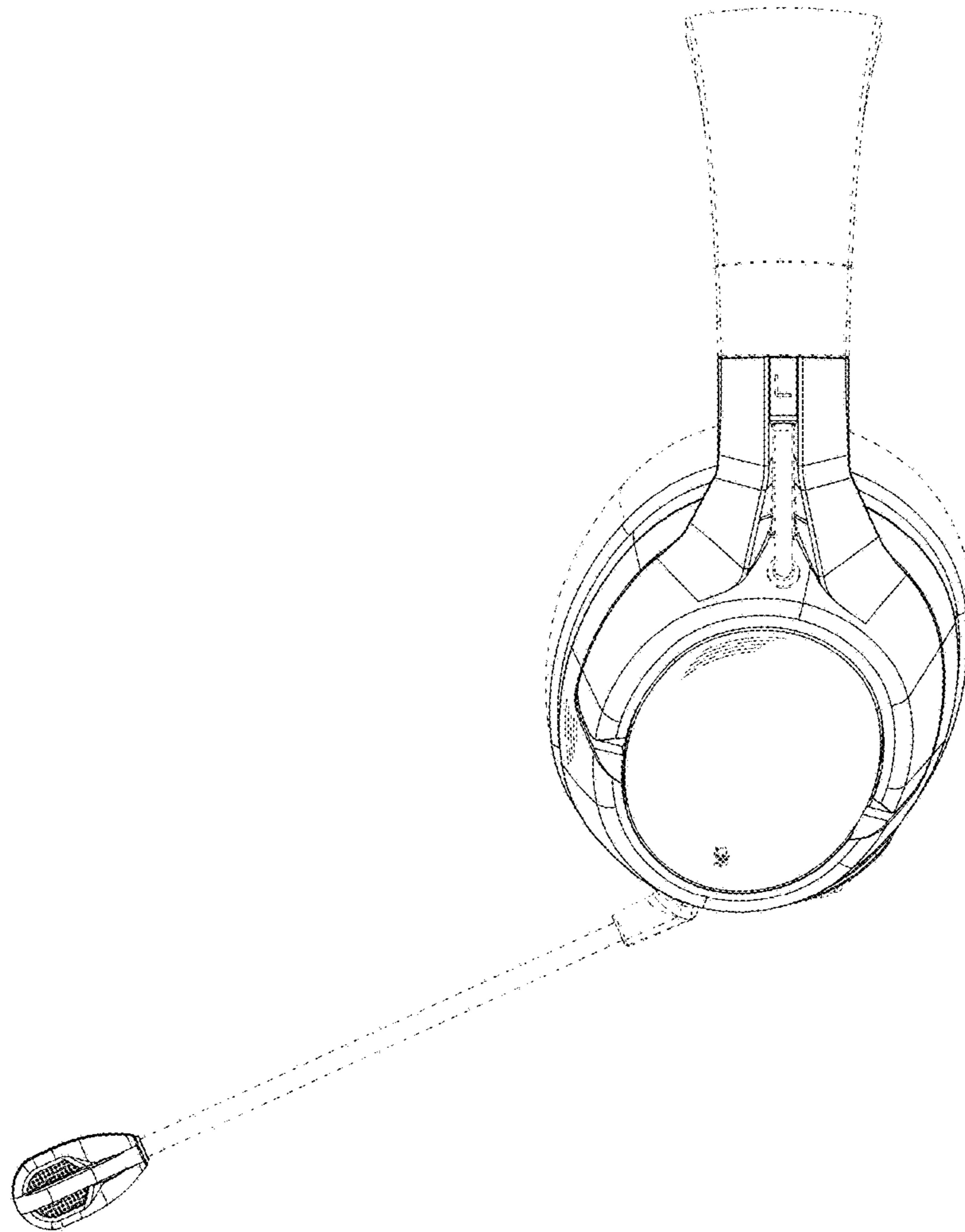


FIG. 6

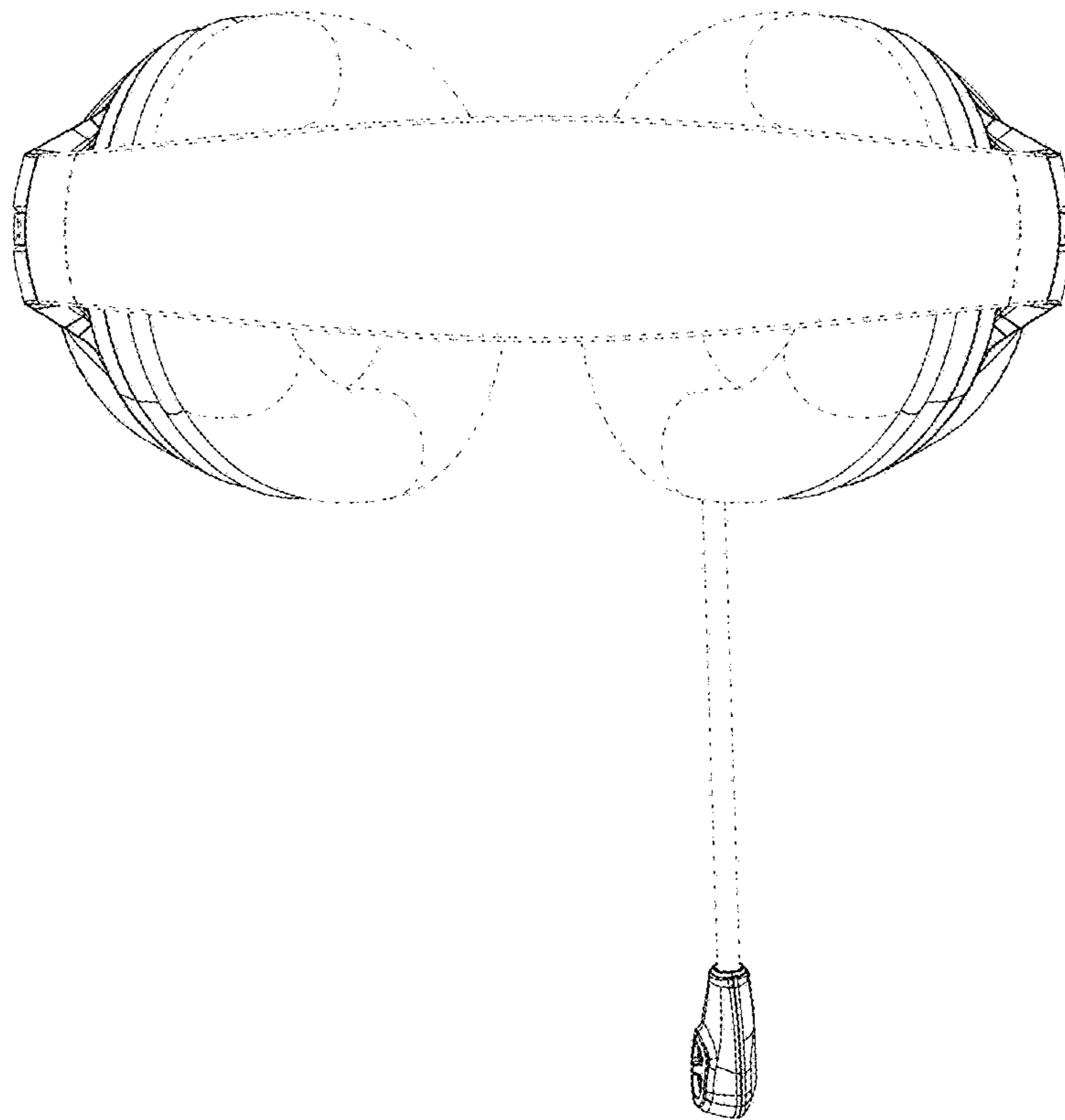


FIG. 7

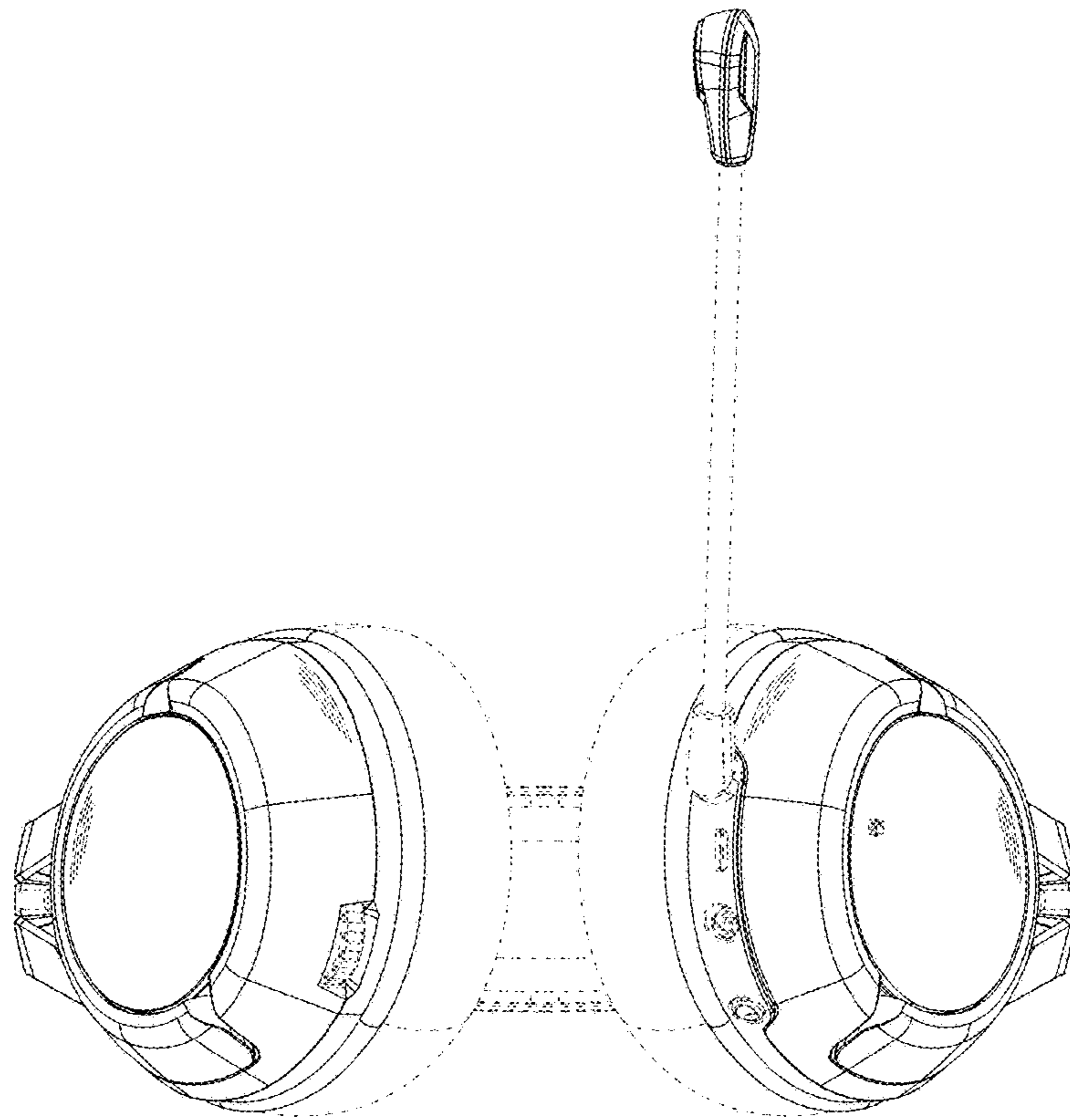


FIG. 8