



US00D845927S

(12) **United States Design Patent**  
**Wang**

(10) **Patent No.:** **US D845,927 S**

(45) **Date of Patent:** **\*\* Apr. 16, 2019**

(54) **GAMING HEADSET**

(71) Applicant: **Zhaoxia Wang**, Henan (CN)

(72) Inventor: **Zhaoxia Wang**, Henan (CN)

(\*\*) Term: **15 Years**

(21) Appl. No.: **29/612,809**

(22) Filed: **Aug. 4, 2017**

(51) **LOC (11) Cl.** ..... **14-01**

(52) **U.S. Cl.**

USPC ..... **D14/206**; D14/226

(58) **Field of Classification Search**

USPC ..... D14/206, 205, 225, 226, 188, 192, 372;  
D29/112; 2/209; 345/7, 8; 181/129,  
181/130, 135; 379/430, 431; 381/380,  
381/381, 370, 375, 374, 382, 183;  
455/90.3, 575.1, 569.1

CPC .... H04R 1/1066; H04R 1/1016; H04R 25/00;  
H04R 1/105; H04R 5/033; H04R 5/0335;  
H04R 1/1091; H04R 1/1058; G02B  
27/017; G09G 5/00

See application file for complete search history.

5,841,858 A \* 11/1998 Frierson ..... H04M 1/0202  
379/430  
D404,035 S \* 1/1999 Delazzer ..... D14/205  
5,960,094 A \* 9/1999 Jensen ..... H04M 1/05  
381/374  
D431,550 S \* 10/2000 Yoneda ..... D14/205  
D447,472 S \* 9/2001 McGugan ..... D14/225  
6,295,366 B1 \* 9/2001 Haller ..... H04R 5/0335  
379/430  
D449,040 S \* 10/2001 Weikel ..... D14/227  
D457,155 S \* 5/2002 Skulley ..... D14/206  
6,678,897 B2 \* 1/2004 Lindgren ..... A61F 11/14  
181/129  
D497,357 S \* 10/2004 Allum ..... D14/206  
D505,413 S \* 5/2005 Skulley ..... D14/223  
D508,483 S \* 8/2005 Suzuki ..... D14/205  
D514,087 S \* 1/2006 Wilson ..... D14/206  
D517,527 S \* 3/2006 Suzuki ..... D14/205  
D517,528 S \* 3/2006 Skulley ..... D14/206  
D518,479 S \* 4/2006 Skulley ..... D14/225  
D531,165 S \* 10/2006 Rath ..... D14/206

(Continued)

*Primary Examiner* — Paula Allen Greene

(57) **CLAIM**

The ornamental design for a gaming headset, as shown and described.

**DESCRIPTION**

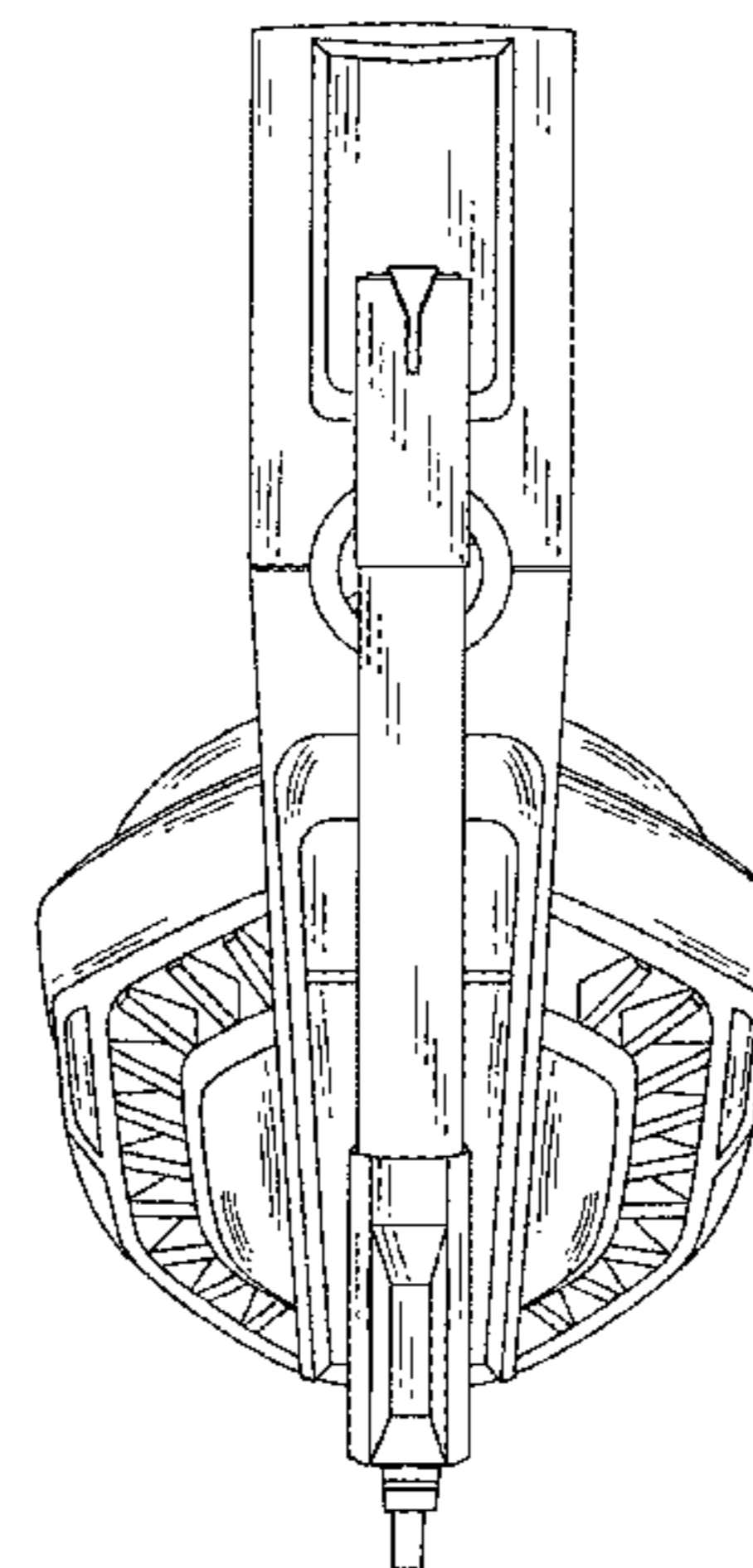
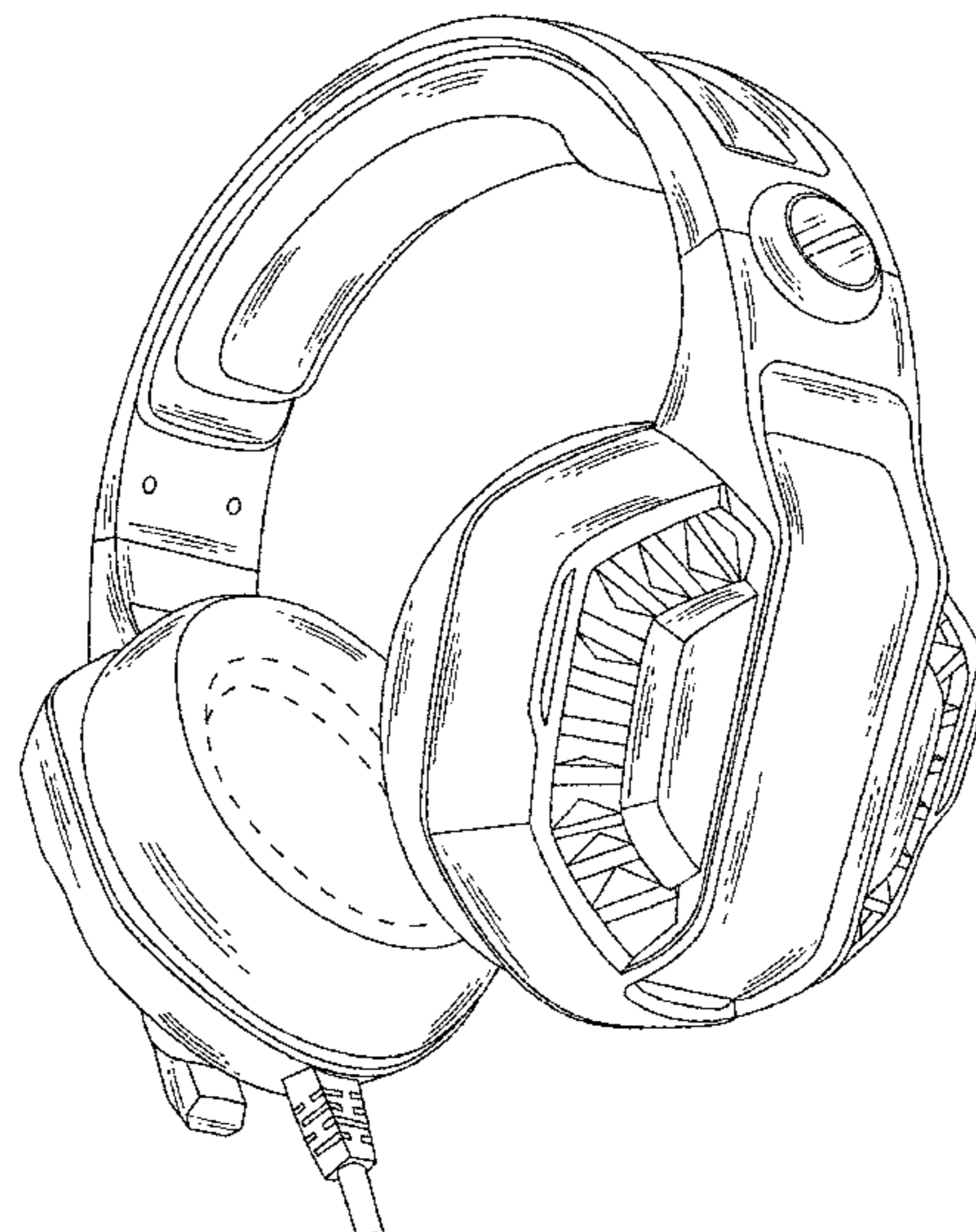
FIG. 1 is a perspective view of a gaming headset showing my new design, the opposite front face of the gaming headset ear cup is a mirror image;  
FIG. 2 is a front elevational view thereof;  
FIG. 3 is a rear elevational view thereof;  
FIG. 4 is a left side elevational view thereof;  
FIG. 5 is a right side elevational view thereof;  
FIG. 6 is a top plan view thereof; and,  
FIG. 7 is a bottom plan view thereof.  
The broken lines depict environment that forms no part of the claimed design.

**1 Claim, 7 Drawing Sheets**

(56) **References Cited**

U.S. PATENT DOCUMENTS

3,488,457 A \* 1/1970 Lahti ..... H04R 1/1008  
381/371  
D233,444 S \* 10/1974 Christian ..... D14/206  
D254,183 S \* 2/1980 Doodson ..... D14/205  
4,754,484 A \* 6/1988 Larkin ..... H04M 1/05  
379/419  
D299,337 S \* 1/1989 Wiegel ..... D14/206  
D302,429 S \* 7/1989 Leer ..... D14/137  
5,708,725 A \* 1/1998 Ito ..... H04R 1/1041  
381/370  
D395,894 S \* 7/1998 Hern ..... D14/227  
5,793,878 A \* 8/1998 Chang ..... H04R 5/0335  
381/370



(56)

References Cited

U.S. PATENT DOCUMENTS

D540,303 S \* 4/2007 Rausch ..... D14/205  
 D542,774 S \* 5/2007 Rausch ..... D14/206  
 D549,688 S \* 8/2007 Suzuki ..... D14/205  
 D589,492 S \* 3/2009 Mistry ..... D14/205  
 D600,674 S \* 9/2009 Brennwald ..... D14/205  
 D602,002 S \* 10/2009 Asai ..... D14/206  
 D604,266 S \* 11/2009 Milde ..... D14/205  
 D638,397 S \* 5/2011 McManigal ..... D14/205  
 D641,725 S \* 7/2011 Chong ..... D14/205  
 D641,727 S \* 7/2011 Krauss ..... D14/206  
 D652,017 S \* 1/2012 Groves ..... D14/206  
 D654,472 S \* 2/2012 Fischer ..... D14/206  
 8,139,807 B2 \* 3/2012 Reiss ..... H04R 1/1083  
 381/371  
 D662,490 S \* 6/2012 McSweyn ..... D14/205  
 D666,993 S \* 9/2012 Kelley ..... D14/205  
 D672,745 S \* 12/2012 Abed ..... D14/205  
 D673,522 S \* 1/2013 Iijima ..... D14/205  
 D673,524 S \* 1/2013 Brennwald ..... D14/206  
 D689,464 S \* 9/2013 Bonahoom ..... D14/206  
 D690,284 S \* 9/2013 Brennwald ..... D14/205  
 D691,111 S \* 10/2013 Lee ..... D14/206  
 D699,216 S \* 2/2014 Bonahoom ..... D14/205  
 8,767,996 B1 \* 7/2014 Lin ..... H04R 1/1091  
 381/380

D723,508 S \* 3/2015 Garland ..... D14/205  
 D723,509 S \* 3/2015 Garland ..... D14/205  
 D724,561 S \* 3/2015 Ko ..... D14/205  
 D727,278 S \* 4/2015 Solomon ..... D14/205  
 9,036,849 B2 \* 5/2015 Thompson ..... H04R 1/083  
 381/122  
 D733,677 S \* 7/2015 Ling ..... D14/206  
 D734,736 S \* 7/2015 Jin ..... D14/206  
 D739,843 S \* 9/2015 Daniel ..... D14/205  
 D741,286 S \* 10/2015 Brennwald ..... D14/205  
 D745,859 S \* 12/2015 Kiuchi ..... D14/205  
 D746,793 S \* 1/2016 Logan ..... D14/206  
 D766,207 S \* 9/2016 Paterson ..... D14/205  
 D766,208 S \* 9/2016 Paterson ..... D14/205  
 D769,219 S \* 10/2016 Ohmachi ..... D14/205  
 D778,258 S \* 2/2017 Hsu ..... D14/205  
 D788,071 S \* 5/2017 Logan ..... D14/205  
 D791,734 S \* 7/2017 Ou ..... D14/206  
 D808,359 S \* 1/2018 Meyer ..... D14/205  
 D815,614 S \* 4/2018 Tzeng ..... D14/205  
 D820,813 S \* 6/2018 Sharp ..... D14/206  
 D824,360 S \* 7/2018 Hsieh ..... D14/205  
 2010/0040252 A1 \* 2/2010 Thompson ..... H04R 1/083  
 381/375  
 2011/0135134 A1 \* 6/2011 Essabar ..... H04R 1/1025  
 381/374  
 2011/0194721 A1 \* 8/2011 Schmidt ..... H04R 1/1066  
 381/370

\* cited by examiner



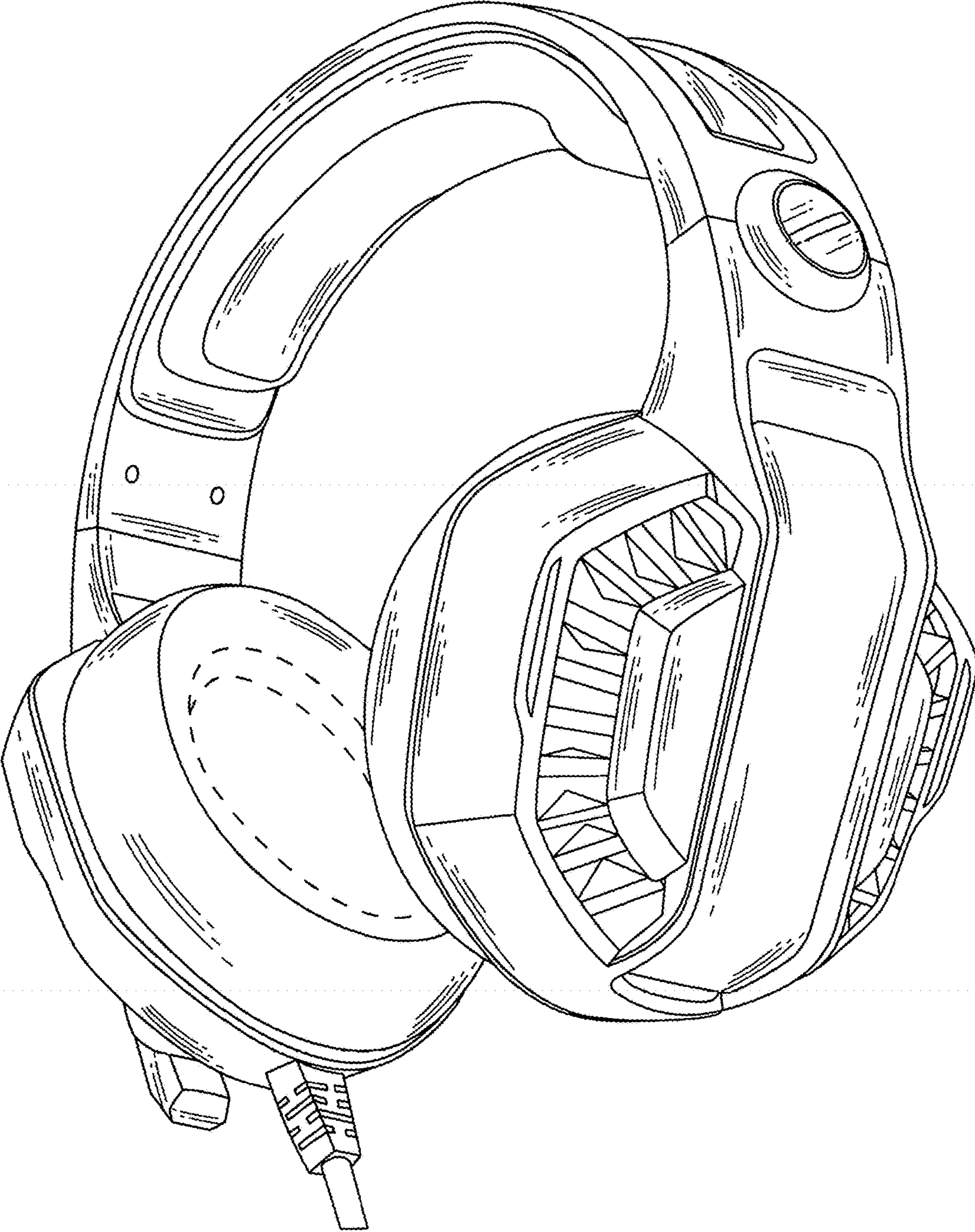


FIG. 1

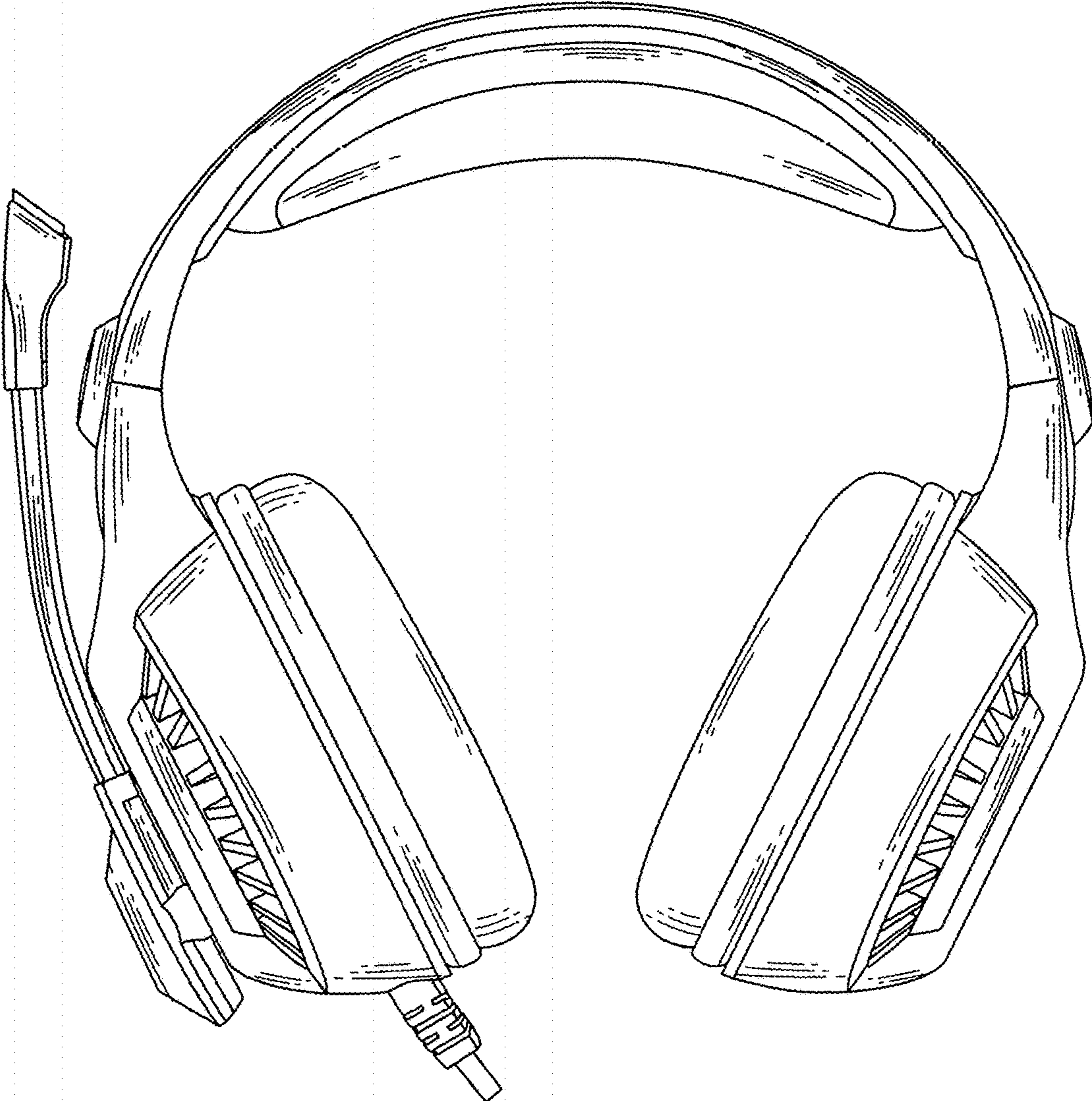


FIG. 2



FIG. 3



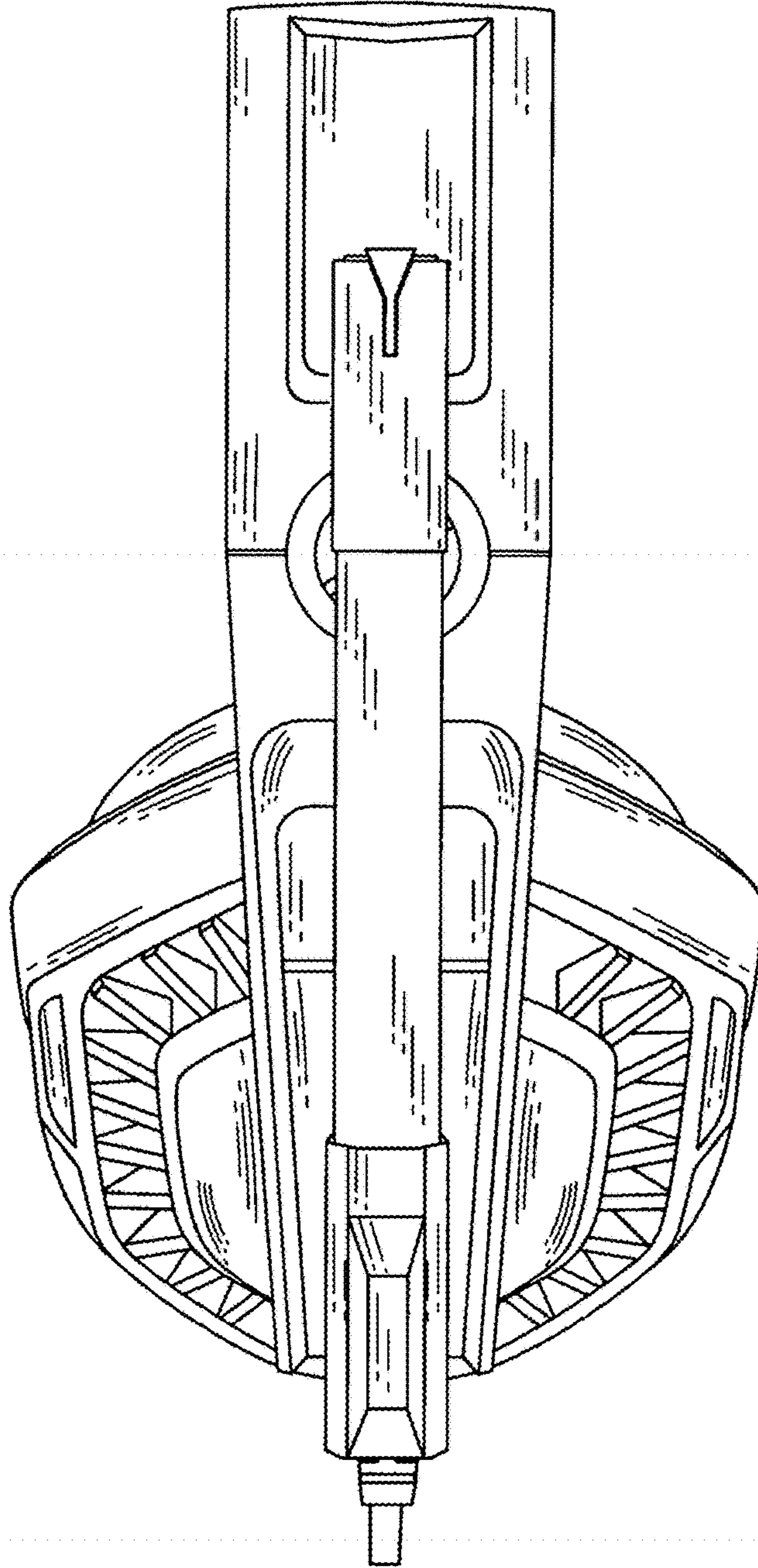


FIG. 4

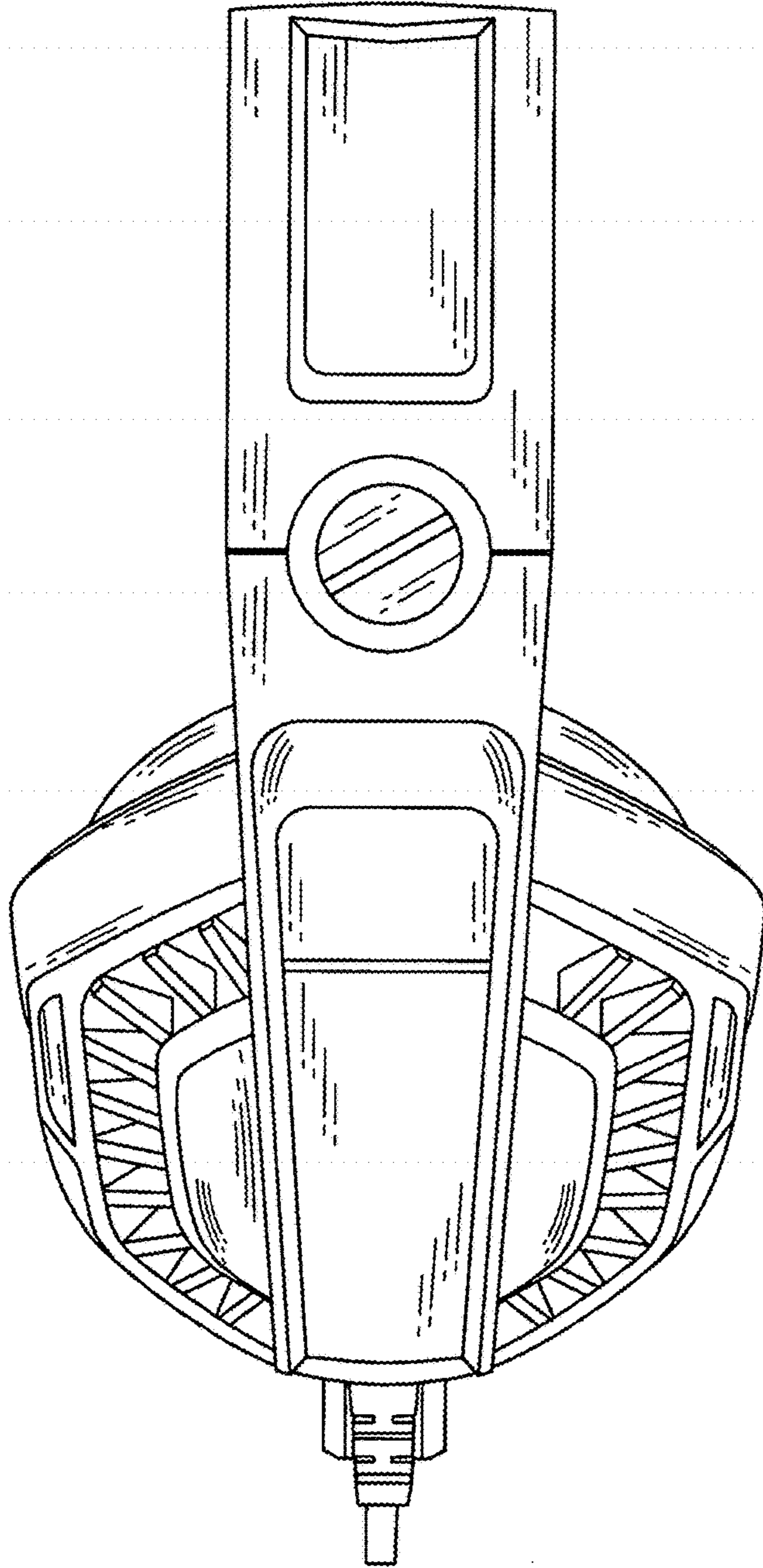


FIG. 5

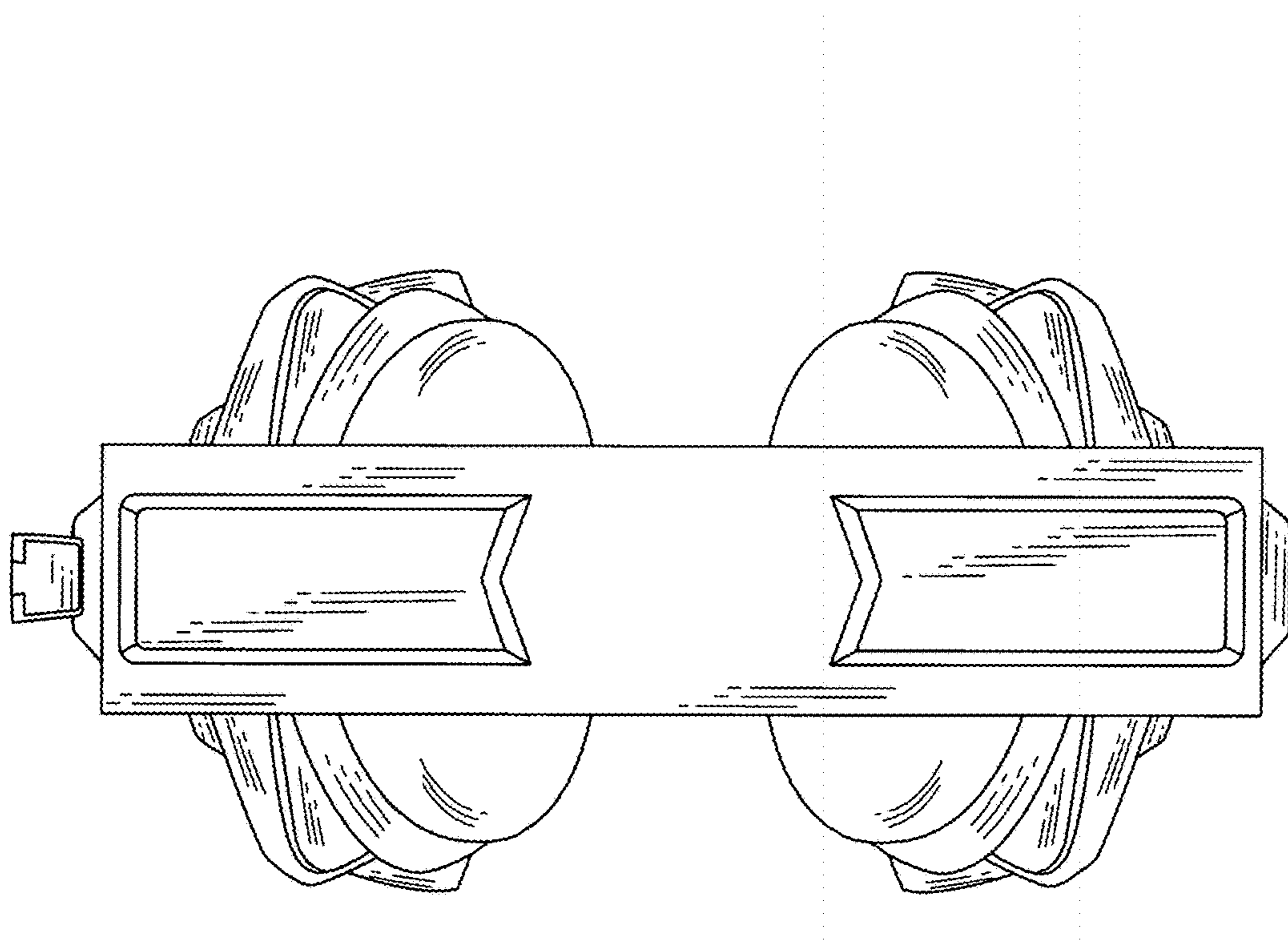


FIG. 6



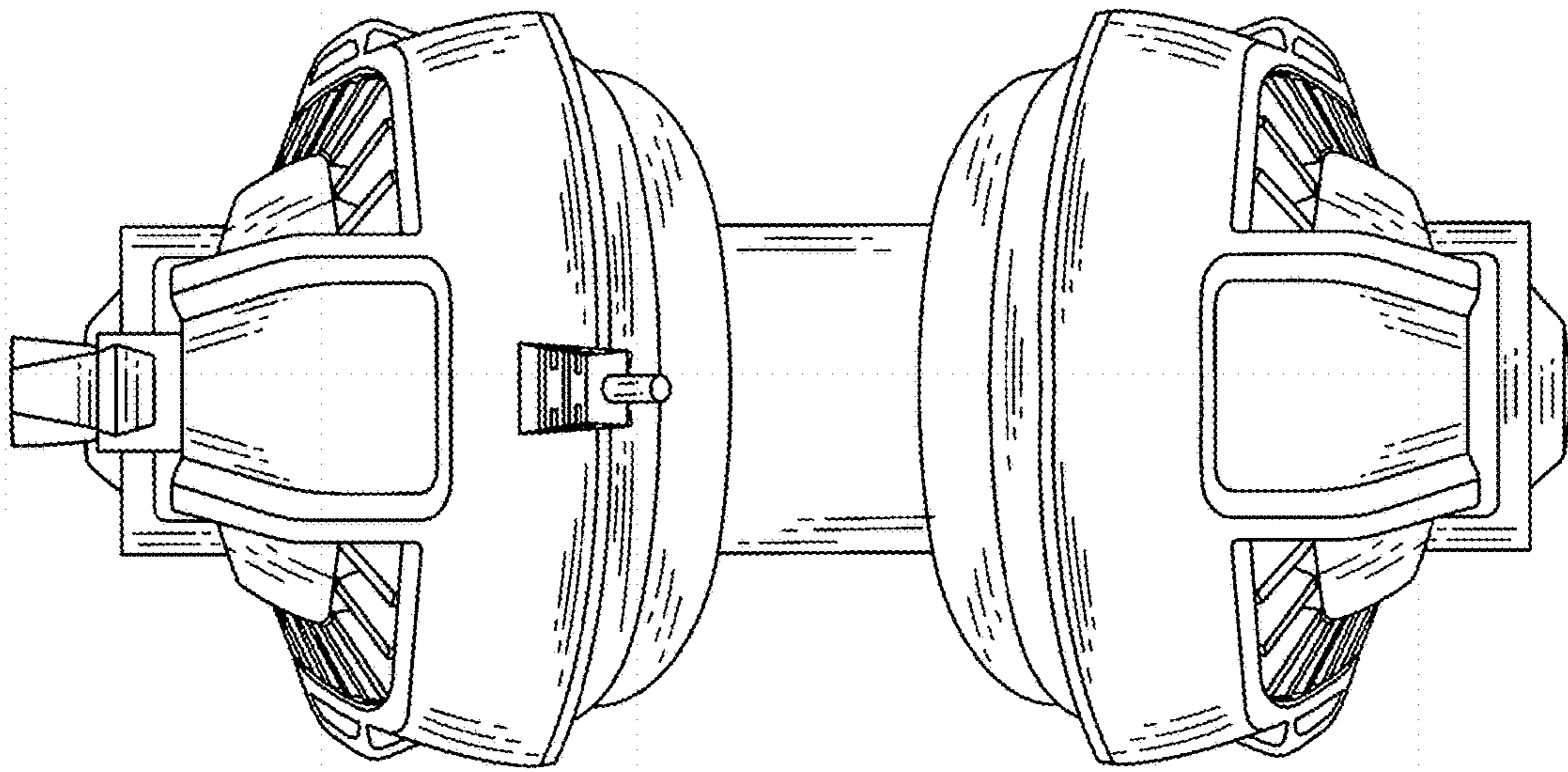


FIG. 7