



US00D845925S

(12) **United States Design Patent**
Bellinghausen et al.

(10) **Patent No.:** **US D845,925 S**
(45) **Date of Patent:** **** Apr. 16, 2019**

(54) **SPEAKER ASSEMBLY**

(71) Applicant: **Harman International Industries, Incorporated**, Stamford, CT (US)
(72) Inventors: **Kristopher Bellinghausen**, Whitmore Lake, MI (US); **Jeffery Fay**, Stamford, CT (US); **Tomas Deluna**, Stamford, CT (US)

(73) Assignee: **Harman International Industries, Incorporated**, Stamford, CT (US)

(**) Term: **15 Years**

(21) Appl. No.: **29/589,231**

(22) Filed: **Dec. 29, 2016**

(51) **LOC (11) Cl.** **14-01**

(52) **U.S. Cl.**
USPC **D14/204**

(58) **Field of Classification Search**
USPC D14/167, 188, 204, 209.1, 210–215, 348, D14/352, 498–505; 181/143, 144, 148,
(Continued)

(56) **References Cited**

U.S. PATENT DOCUMENTS

D436,352 S * 1/2001 Smith D14/137
D491,911 S * 6/2004 Jung D14/203.3
(Continued)

OTHER PUBLICATIONS

“JBL,” Trademark Electronic Search System (TESS), Harman International Industries Inc., (announced Mar. 4, 2014). [online], site visited Jun. 25, 2018. Available from Internet, URL: <http://tmssearch.uspto.gov> (Year: 2014).*

(Continued)

Primary Examiner — Derrick E Holland

Assistant Examiner — Janice Patyk

(74) *Attorney, Agent, or Firm* — Brooks Kushman P.C.

(57) **CLAIM**

The ornamental design for a speaker assembly, as shown and described.

DESCRIPTION

FIG. 1 is a top, front and right side perspective view of embodiment one, of a speaker assembly, showing our new design;
FIG. 2 is a top, rear and right side perspective view of the speaker assembly of FIG. 1;
FIG. 3 is front elevation view of the speaker assembly of FIG. 1;
FIG. 4 is a top plan view of the speaker assembly of FIG. 1;
FIG. 5 is a right side elevation view of the speaker assembly of FIG. 1, wherein a left side elevation view of the speaker assembly is a mirror image thereof;
FIG. 6 is a rear elevation view of the speaker assembly of FIG. 1;
FIG. 7 is a bottom plan view of the speaker assembly of FIG. 1;
FIG. 8 is a bottom, rear and right side perspective view of the speaker assembly of FIG. 1;
FIG. 9 is a top, front and right side perspective view of embodiment two, of a speaker assembly, showing our new design;
FIG. 10 is a top, rear and right side perspective view of the speaker assembly of FIG. 9;
FIG. 11 is front elevation view of the speaker assembly of FIG. 9;
FIG. 12 is a top plan view of the speaker assembly of FIG. 9;
FIG. 13 is a right side elevation view of the speaker assembly of FIG. 9, wherein a left side elevation view of the speaker assembly is a mirror image thereof;
FIG. 14 is a rear elevation view of the speaker assembly of FIG. 9;
FIG. 15 is a bottom plan view of the speaker assembly of FIG. 9;
FIG. 16 is a bottom, rear and right side perspective view of the speaker assembly of FIG. 9;

(Continued)

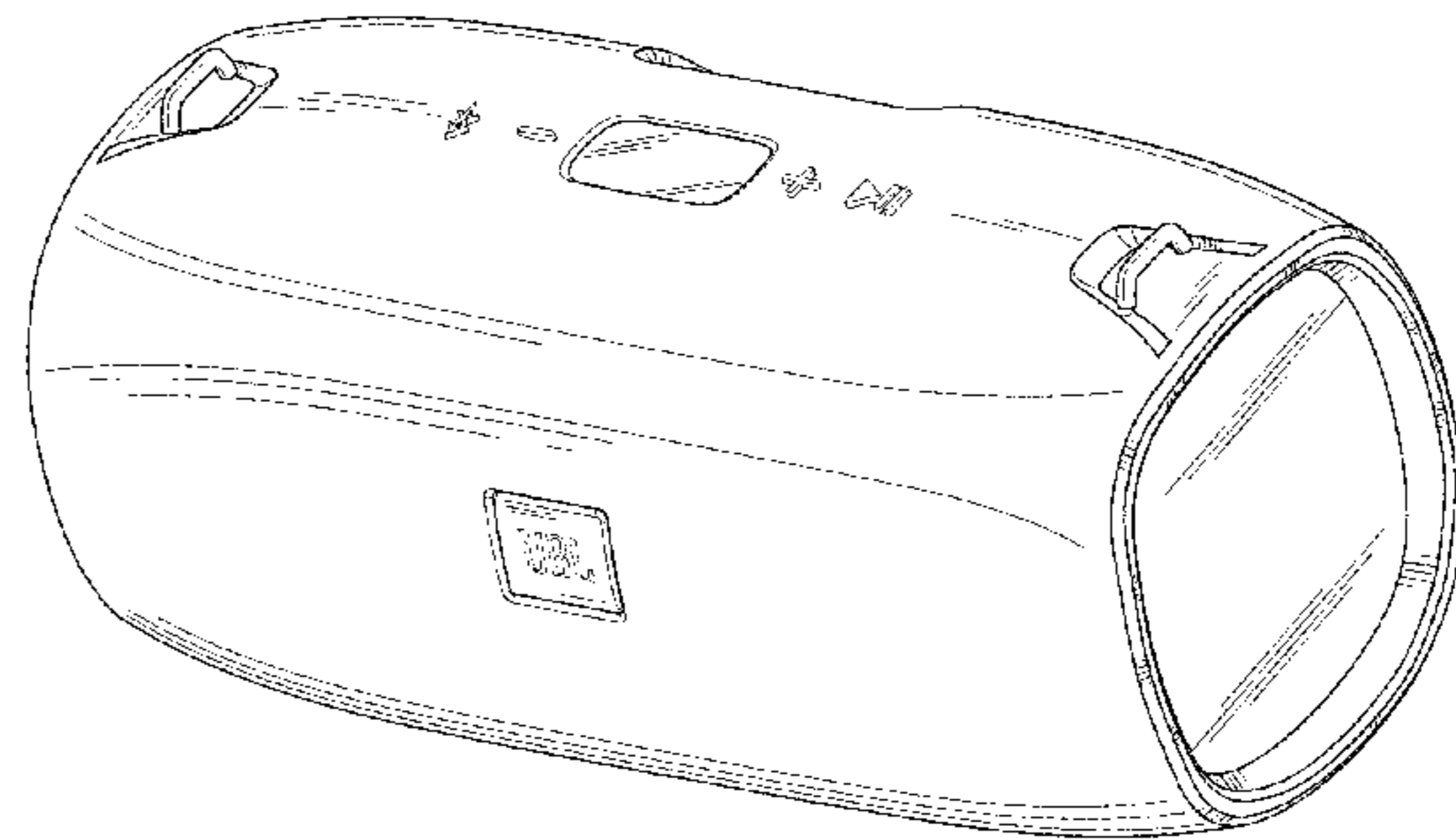
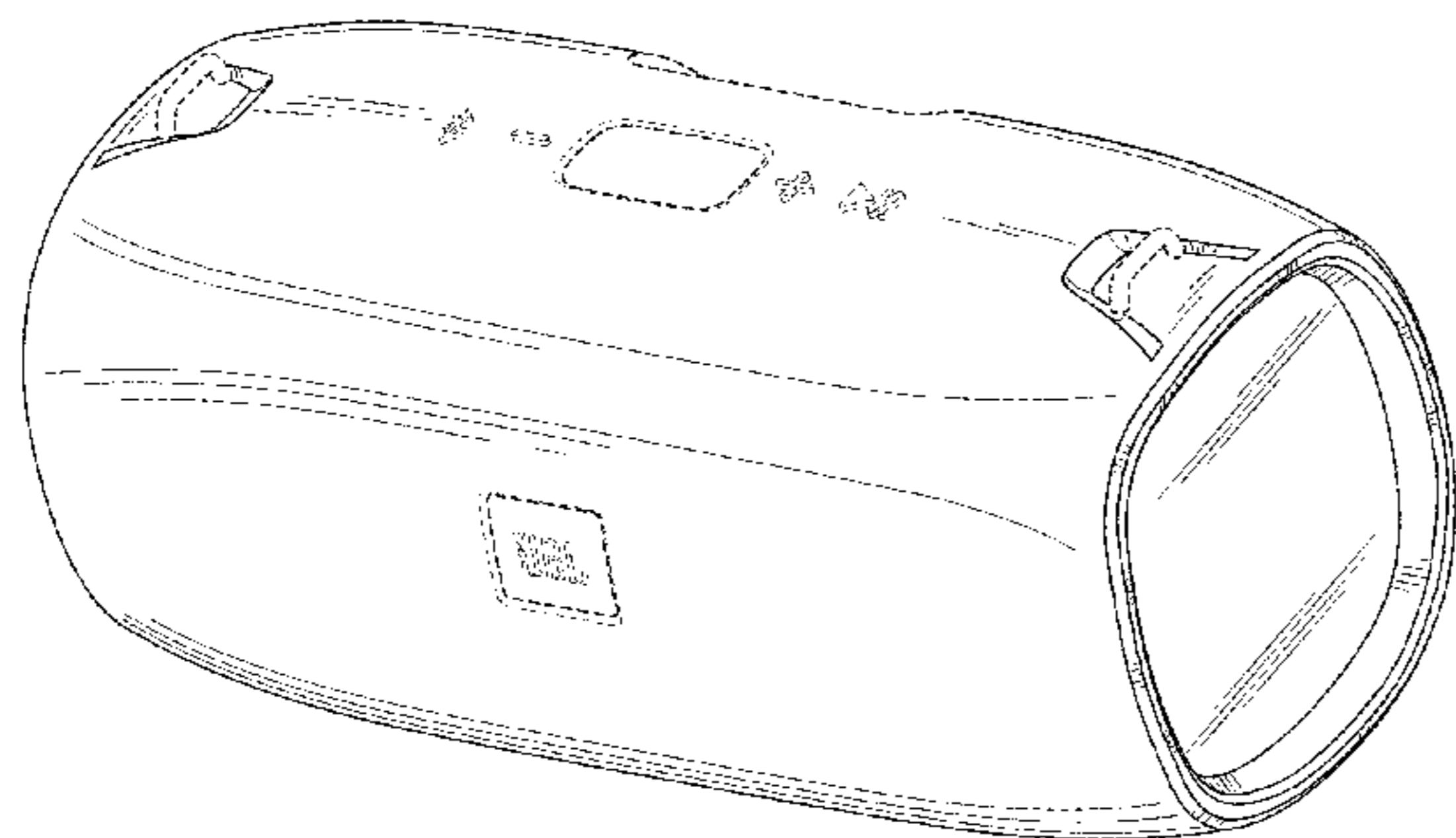


FIG. 17 is a top, front and right side perspective view of embodiment three, of a speaker assembly, showing our new design;

FIG. 18 is a top, rear and right side perspective view of the speaker assembly of FIG. 17;

FIG. 19 is front elevation view of the speaker assembly of FIG. 17;

FIG. 20 is a top plan view of the speaker assembly of FIG. 17;

FIG. 21 is a right side elevation view of the speaker assembly of FIG. 17, wherein a left side elevation view of the speaker assembly is a mirror image thereof;

FIG. 22 is a rear elevation view of the speaker assembly of FIG. 17;

FIG. 23 is a bottom plan view of the speaker assembly of FIG. 17;

FIG. 24 is a bottom, rear and right side perspective view of the speaker assembly of FIG. 17;

FIG. 25 is a top, front and right side perspective view of embodiment four, of a speaker assembly, showing our new design;

FIG. 26 is a top, rear and right side perspective view of the speaker assembly of FIG. 25;

FIG. 27 is front elevation view of the speaker assembly of FIG. 25;

FIG. 28 is a top plan view of the speaker assembly of FIG. 25;

FIG. 29 is a right side elevation view of the speaker assembly of FIG. 25, wherein a left side elevation view of the speaker assembly is a mirror image thereof;

FIG. 30 is a rear elevation view of the speaker assembly of FIG. 25;

FIG. 31 is a bottom plan view of the speaker assembly of FIG. 25; and,

FIG. 32 is a bottom, rear and right side perspective view of the speaker assembly of FIG. 25.

The broken lines in the figures illustrate portions of the design that form no part of the claimed design.

1 Claim, 16 Drawing Sheets

(58) **Field of Classification Search**

USPC 181/153, 157, 198, 199; 369/6-12;
381/300-303, 361-364, 366, 386-388

CPC H04R 1/02; H04R 1/021; H04R 1/023;
H04R 5/00; H04R 9/06; H04R 2420/07

See application file for complete search history.

(56) **References Cited**

U.S. PATENT DOCUMENTS

D504,409	S	*	4/2005	Kim	D14/203.3
D546,175	S	*	7/2007	Sainz	D9/420
D593,131	S	*	5/2009	Lee	D14/496
D606,962	S	*	12/2009	Wada	D14/149
D615,556	S	*	5/2010	Yeo	D14/203.3
D641,338	S	*	7/2011	Chen	D14/209.1
D670,264	S	*	11/2012	Tsai	D14/172
D674,778	S	*	1/2013	Skurdal	D14/214
D739,376	S	*	9/2015	Asao	D14/204
2012/0300962	A1	*	11/2012	Devoto	H04R 5/02 381/300

OTHER PUBLICATIONS

JBL by Harman, "XTREME Portable Bluetooth Speaker", Jun. 24, 2015, 2 pages.

* cited by examiner

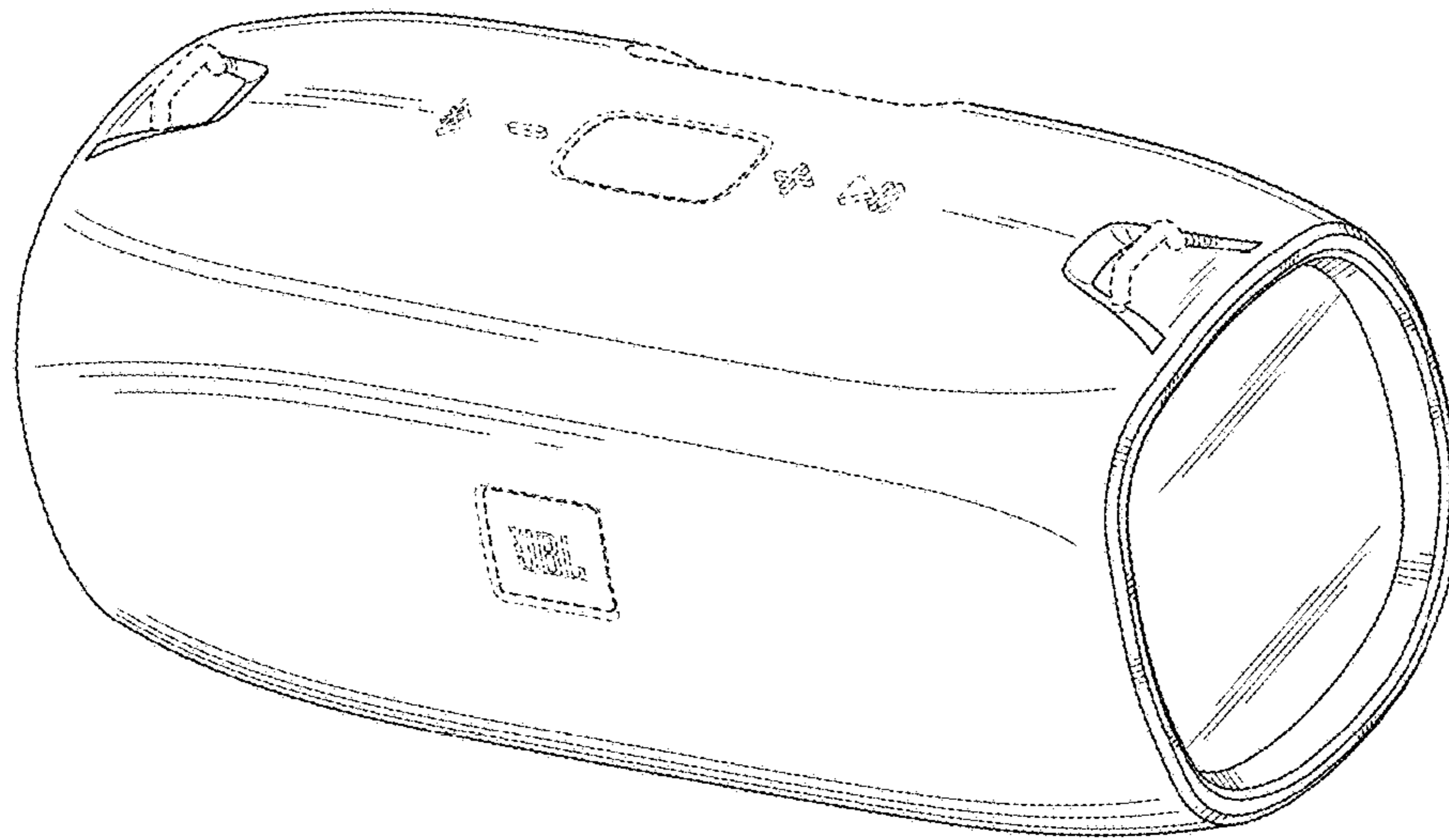


FIG. 1

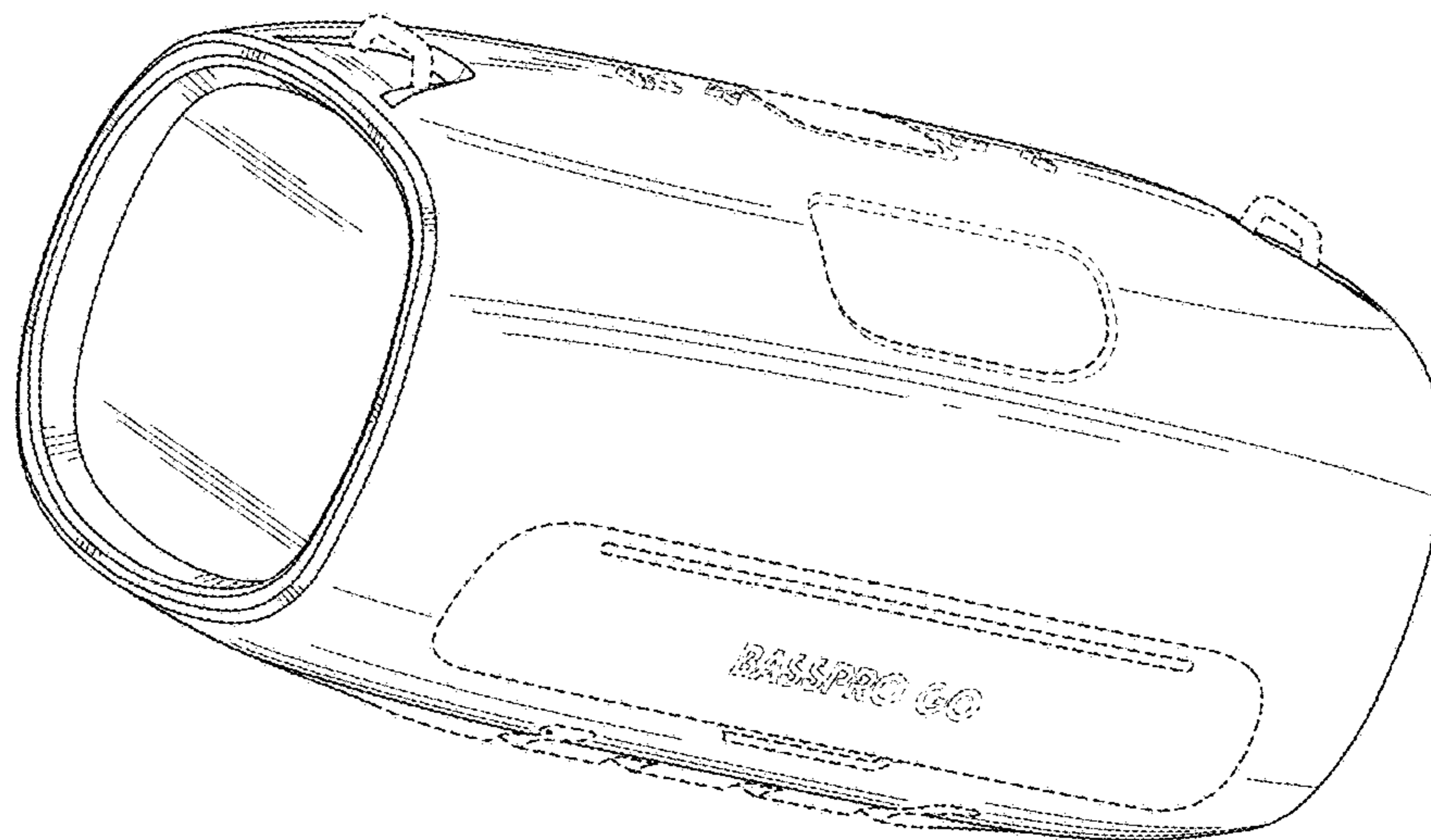


FIG. 2

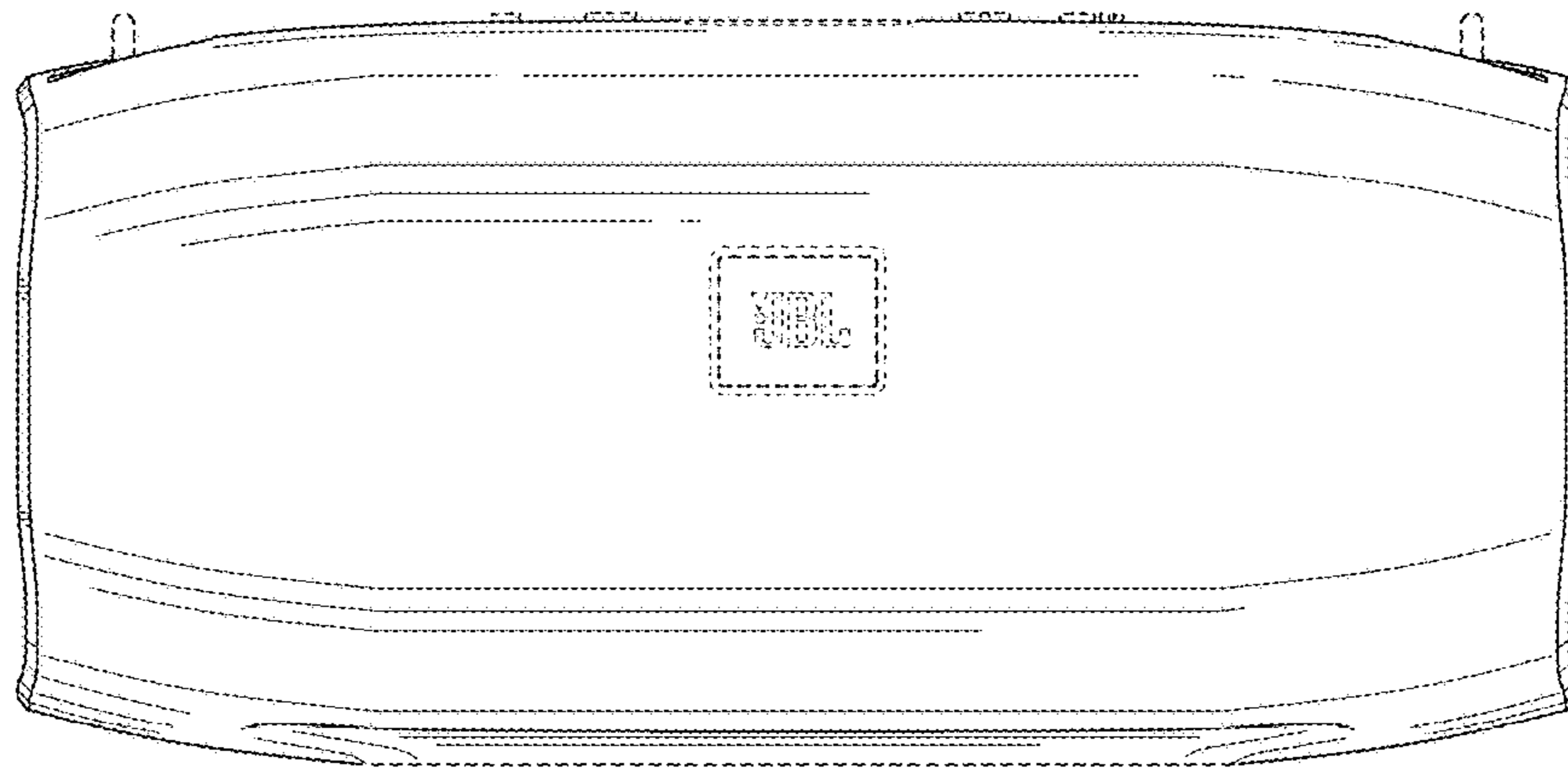


FIG. 3

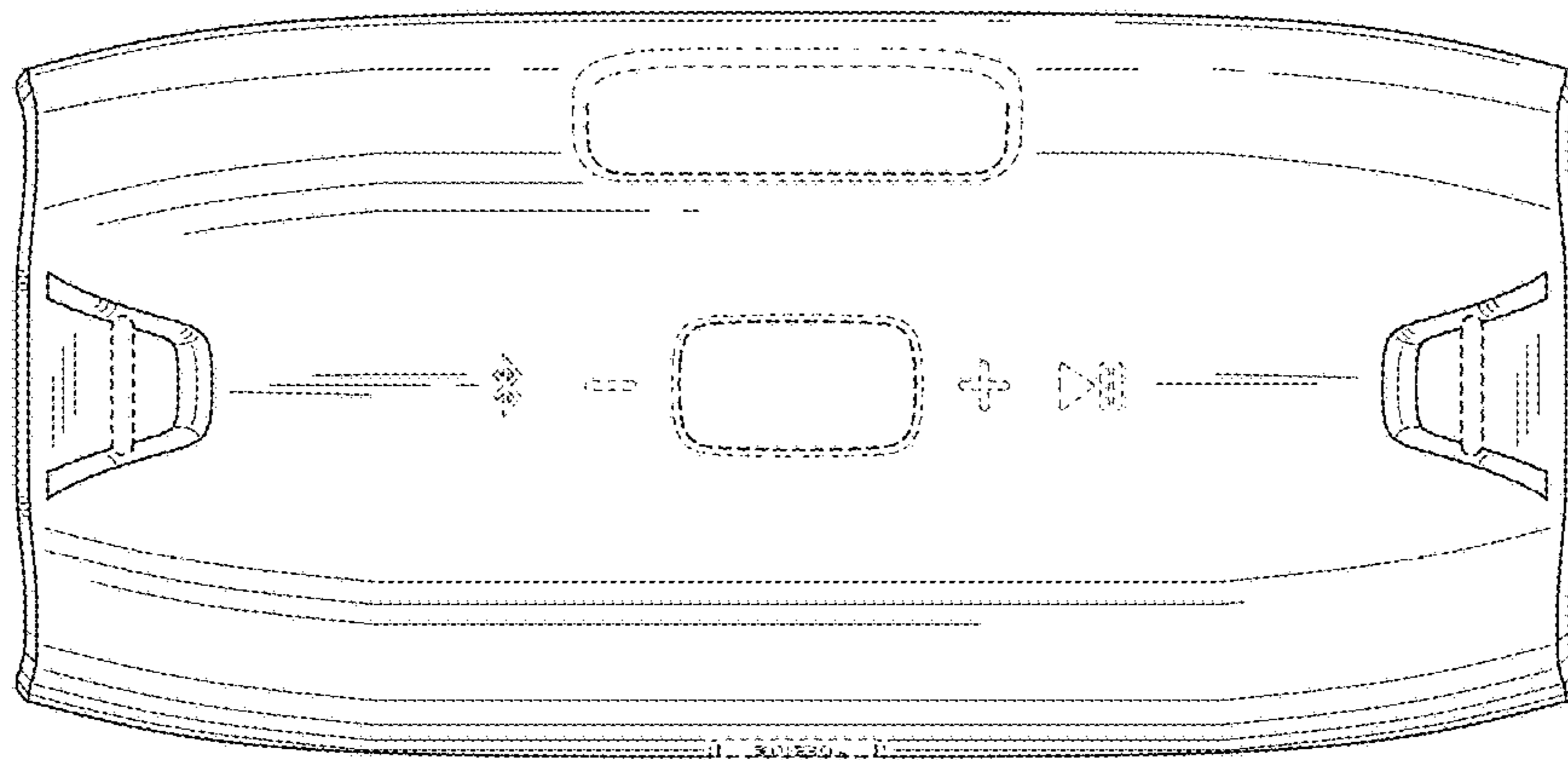


FIG. 4

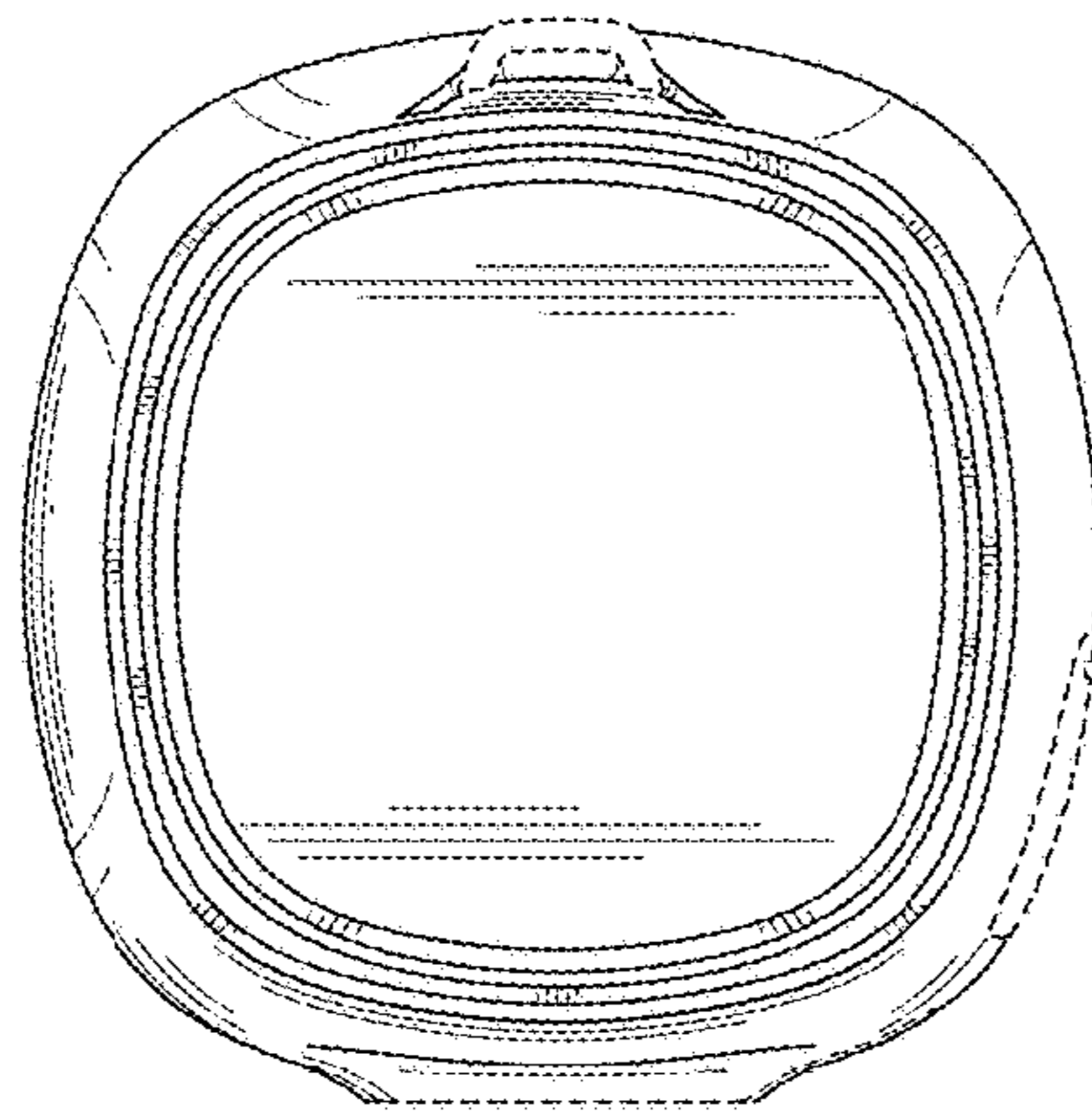


FIG. 5

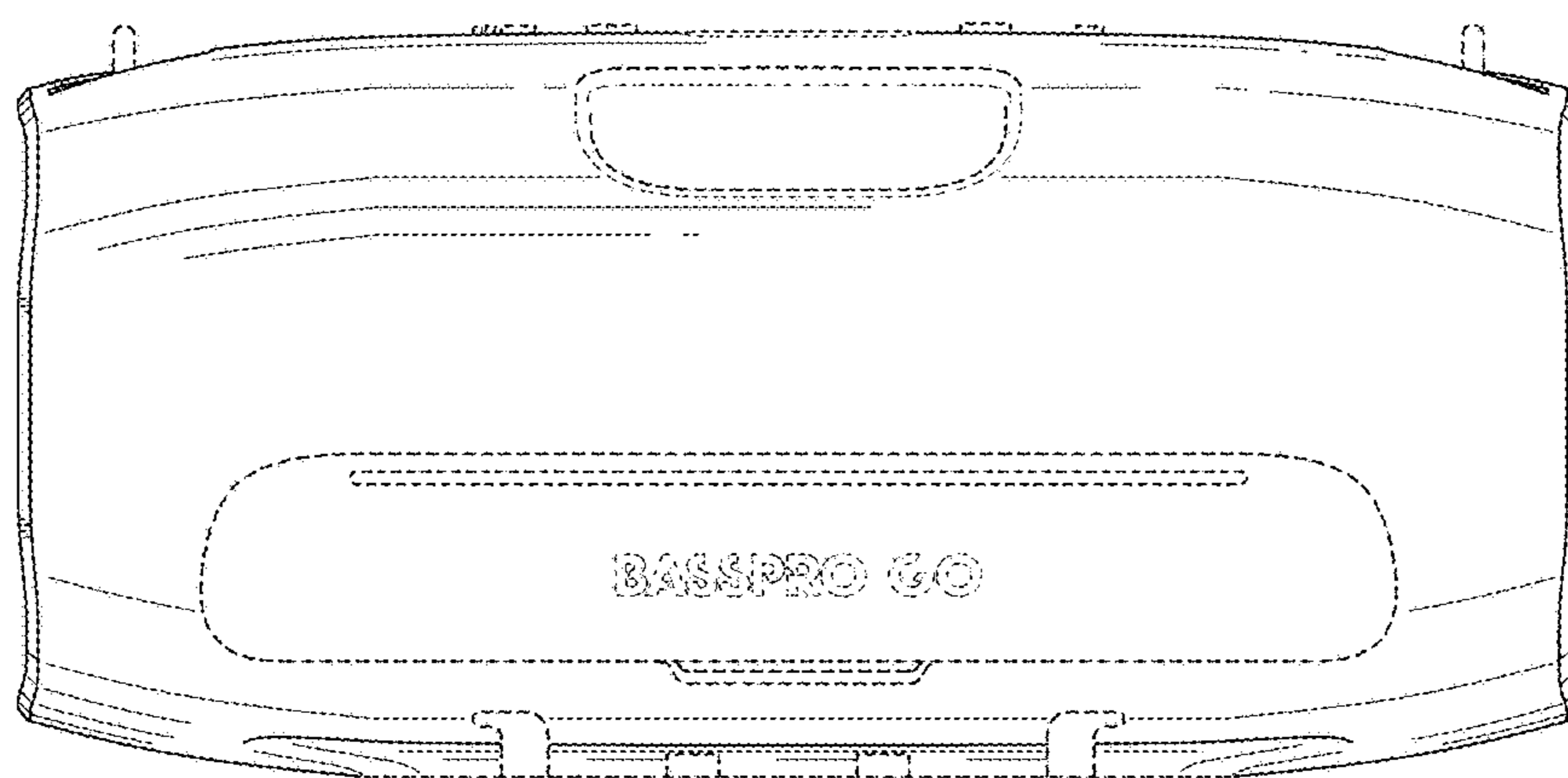


FIG. 6

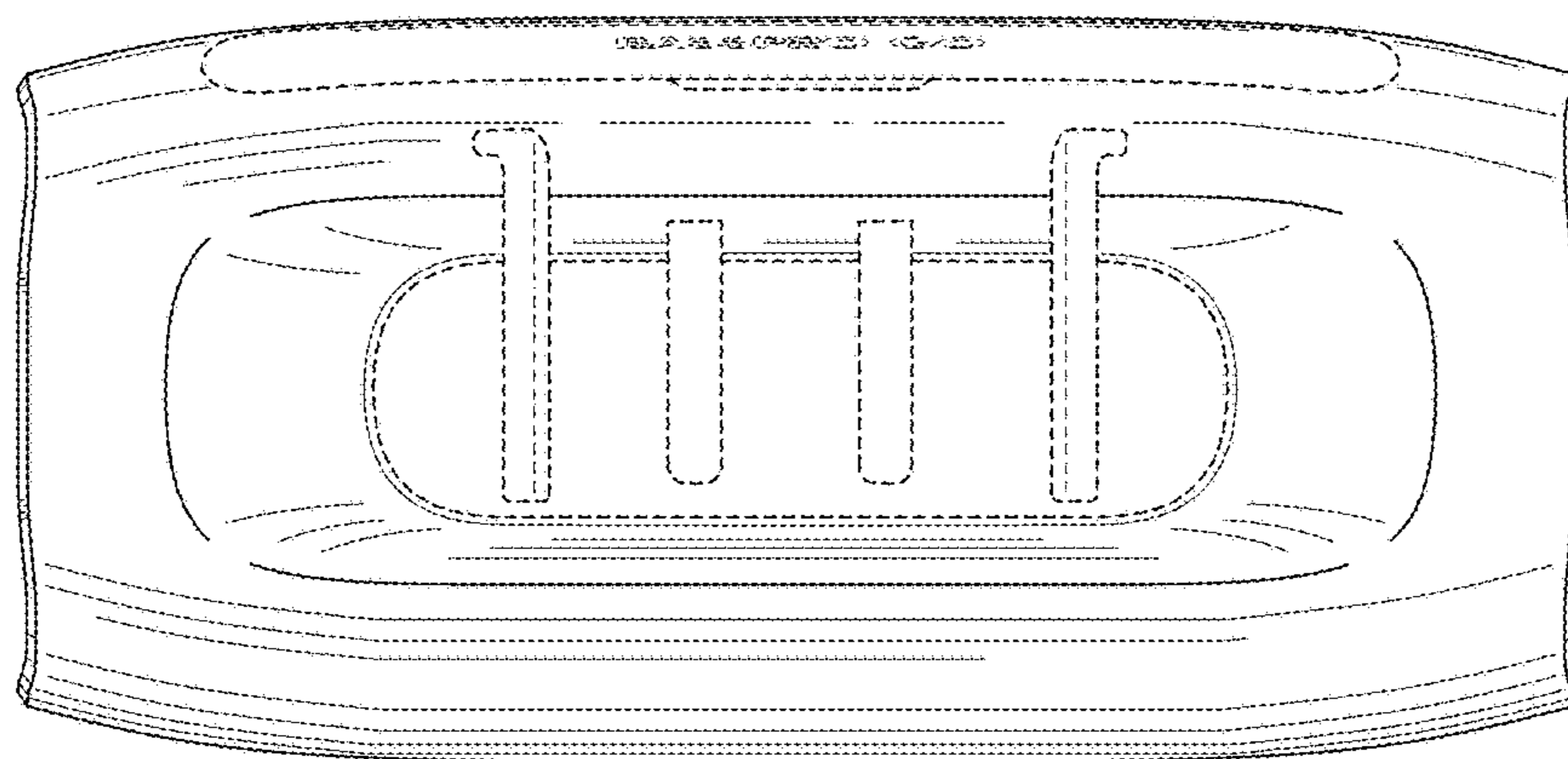


FIG. 7

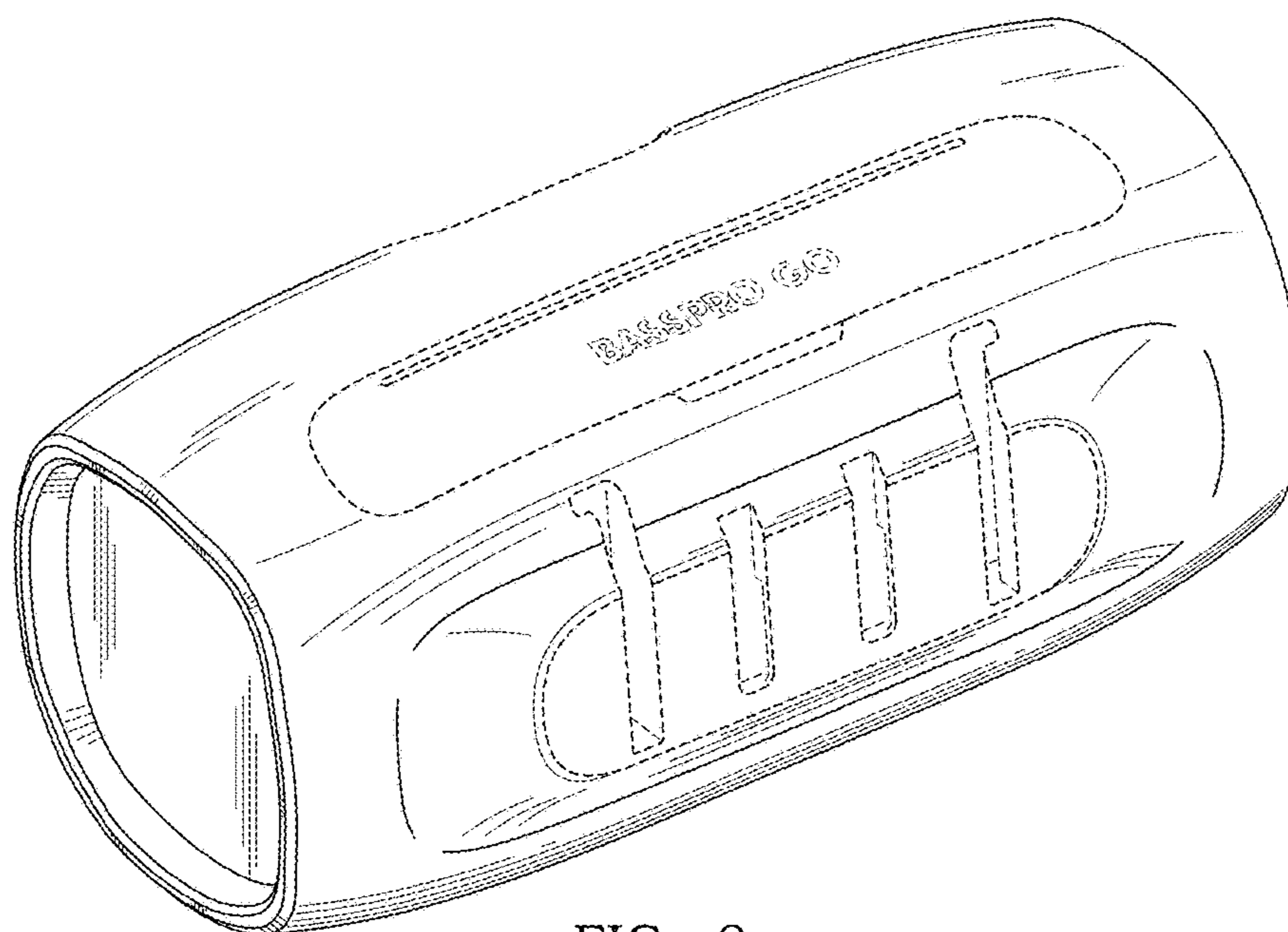


FIG. 8

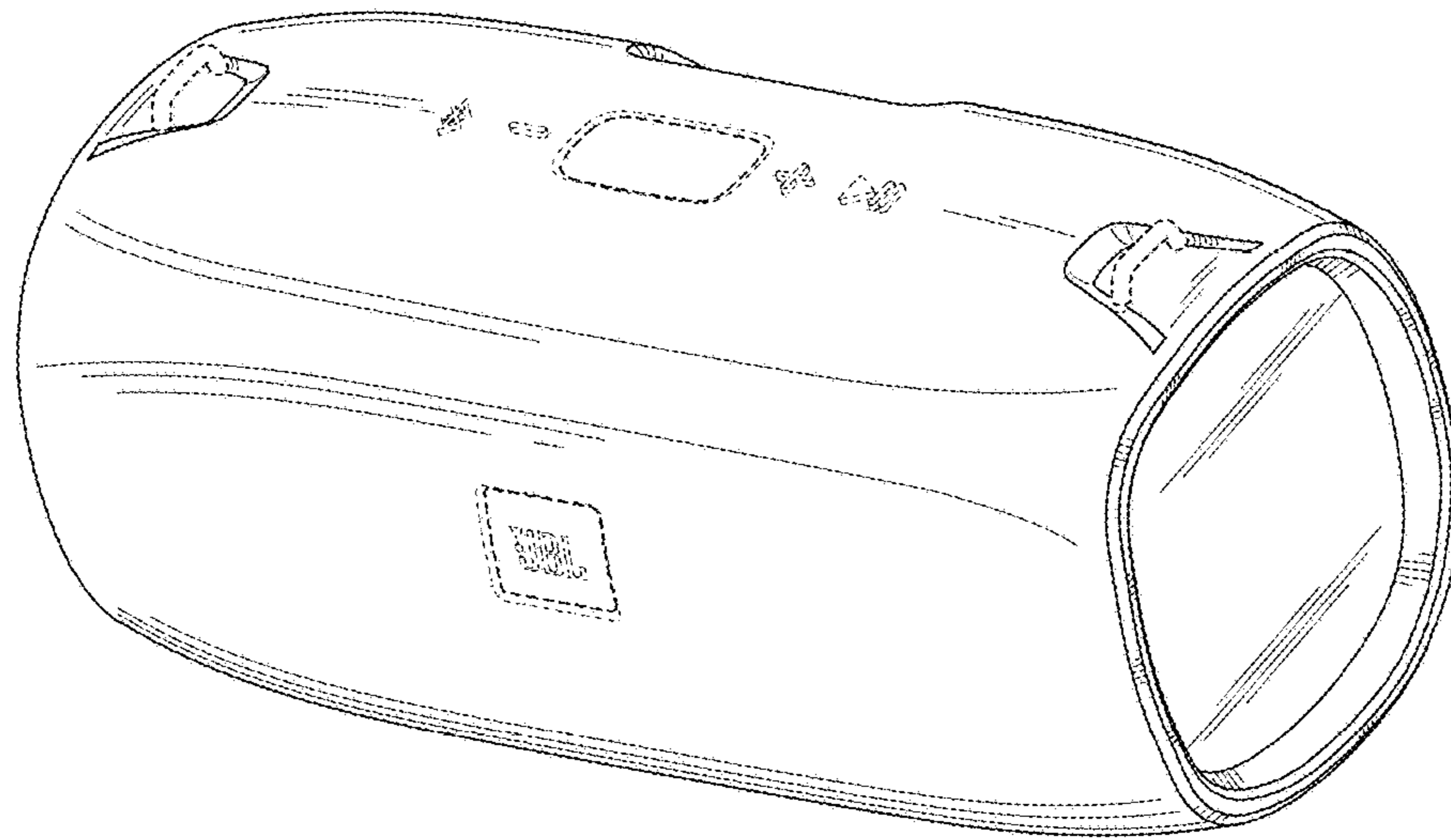


FIG. 9

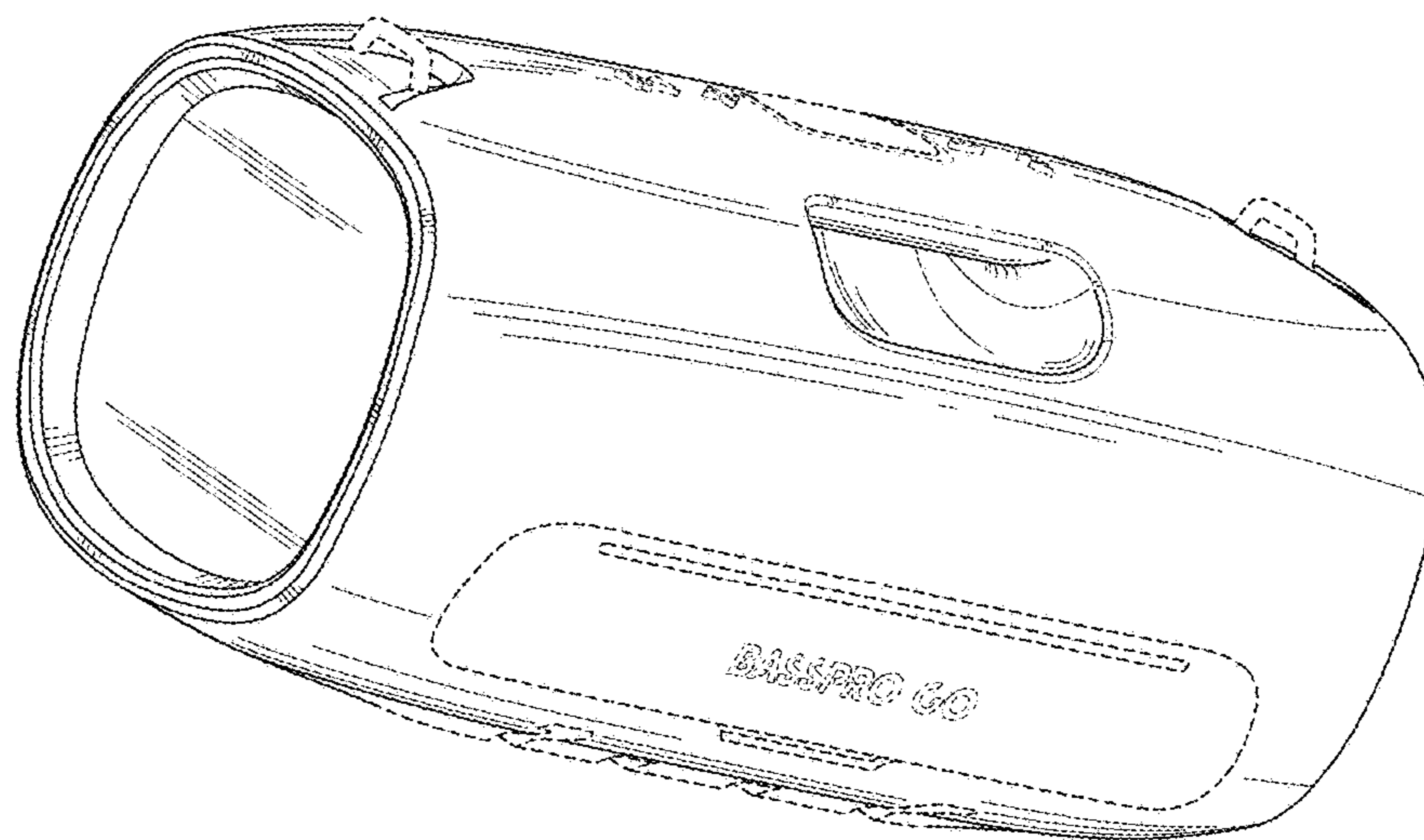


FIG. 10

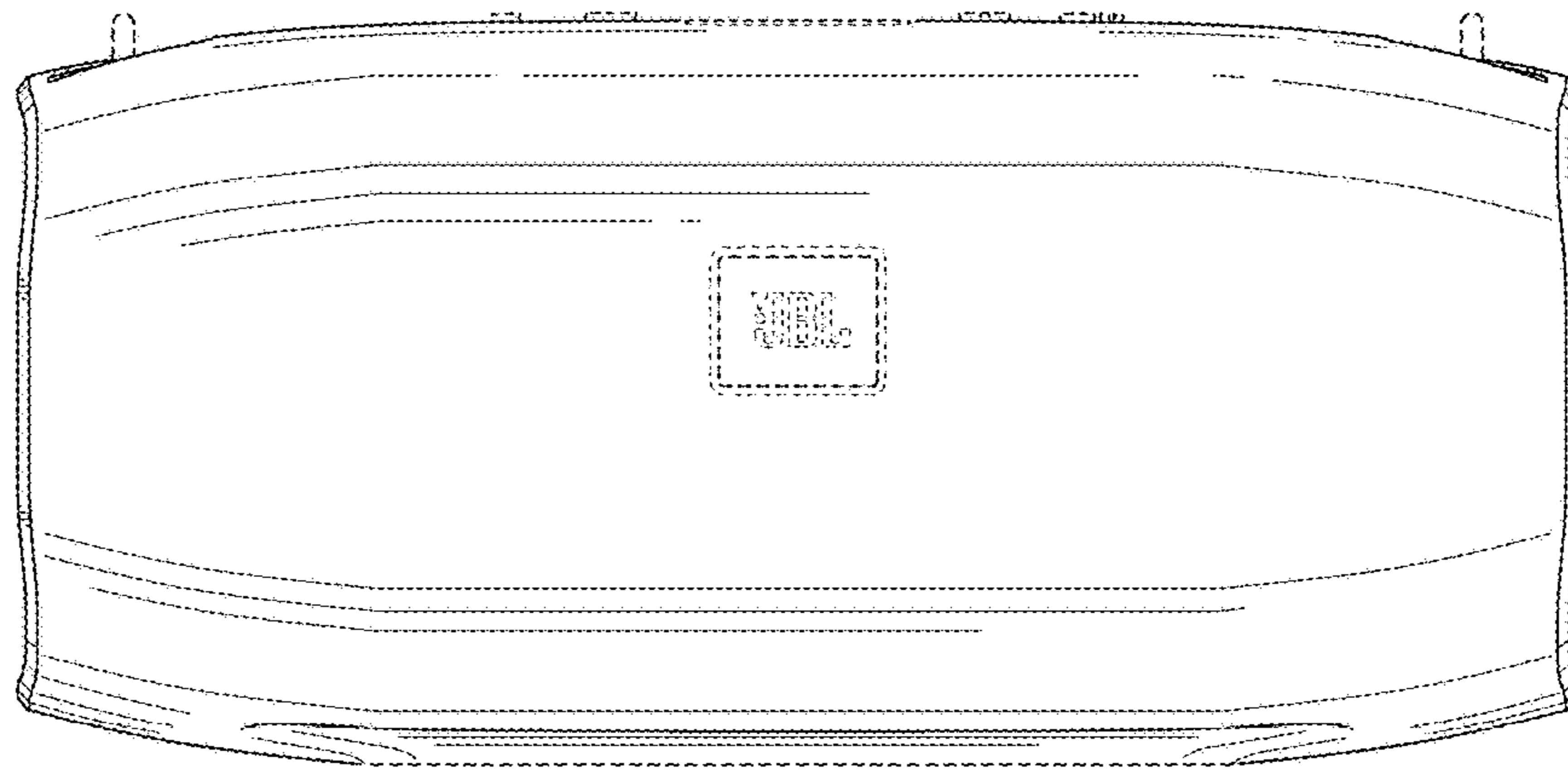


FIG. 11

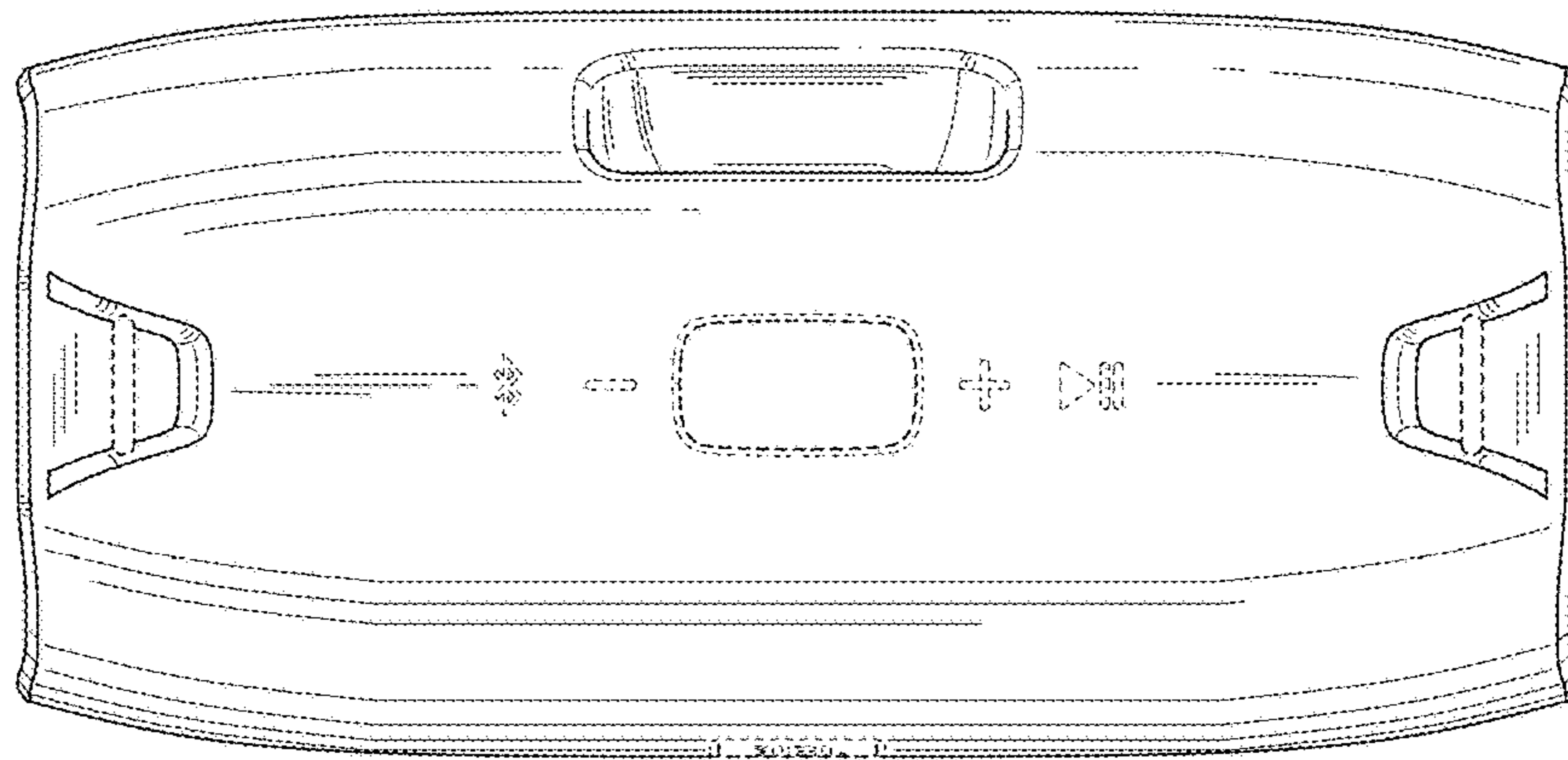


FIG. 12

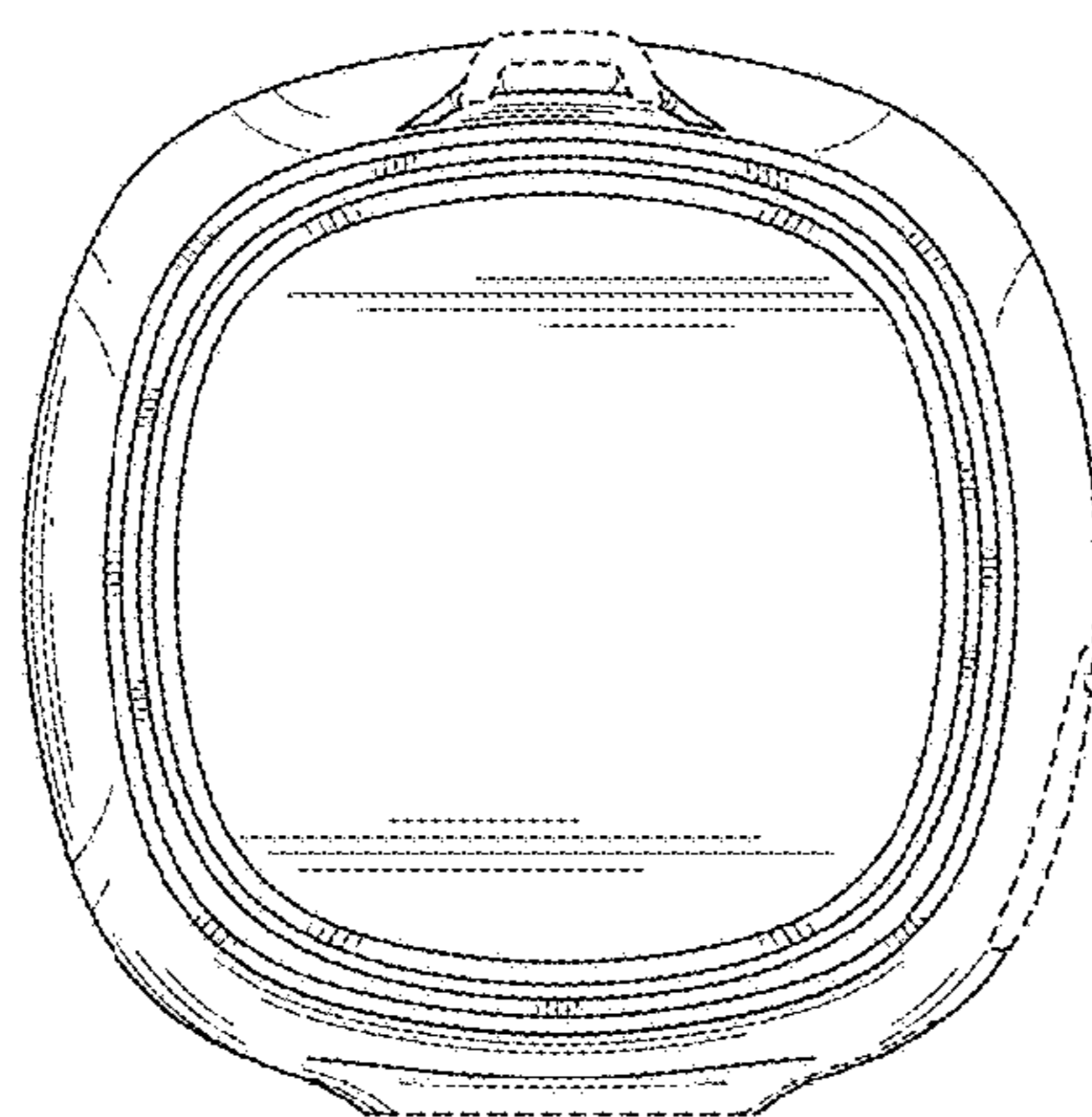


FIG. 13

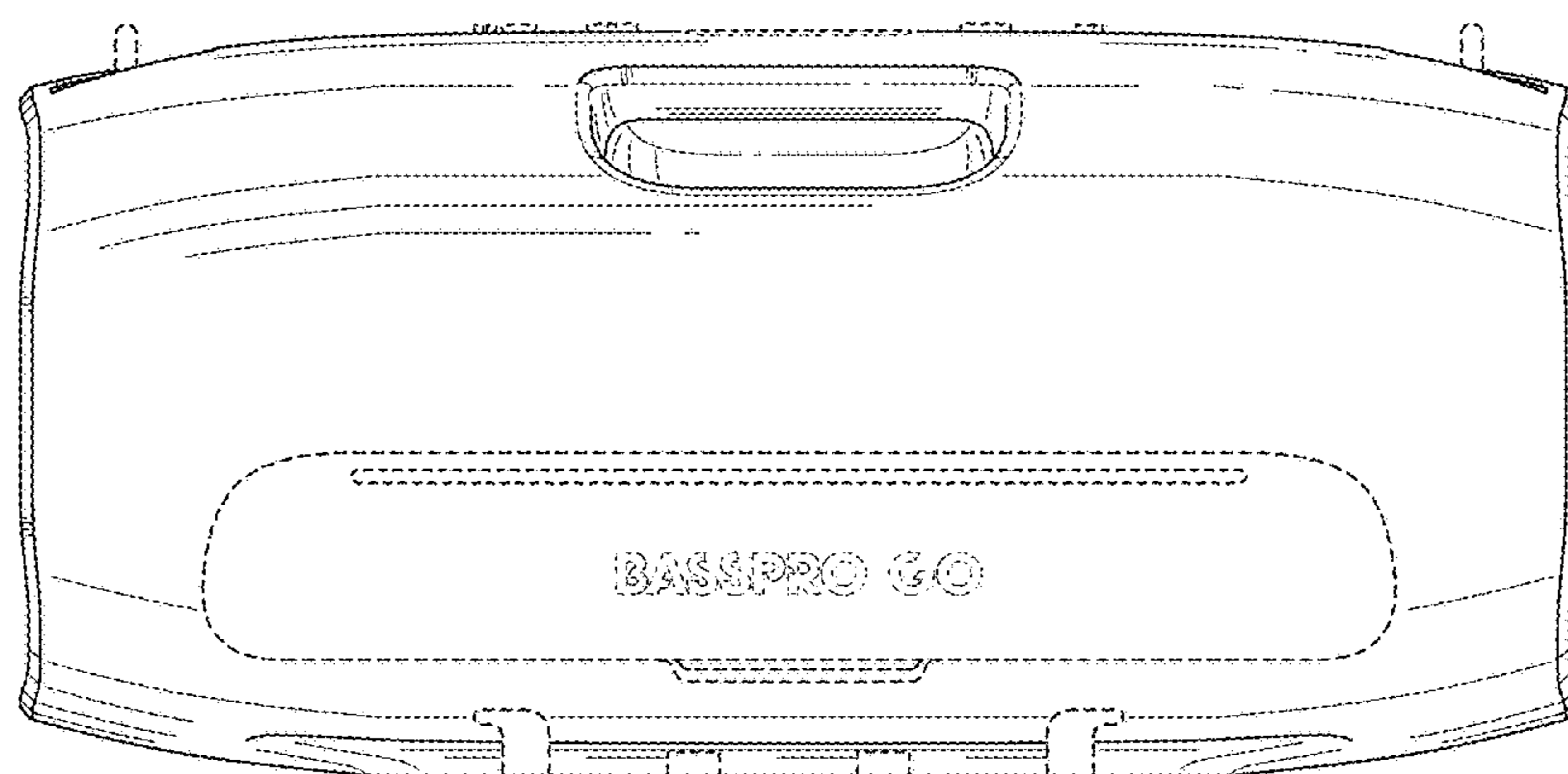


FIG. 14

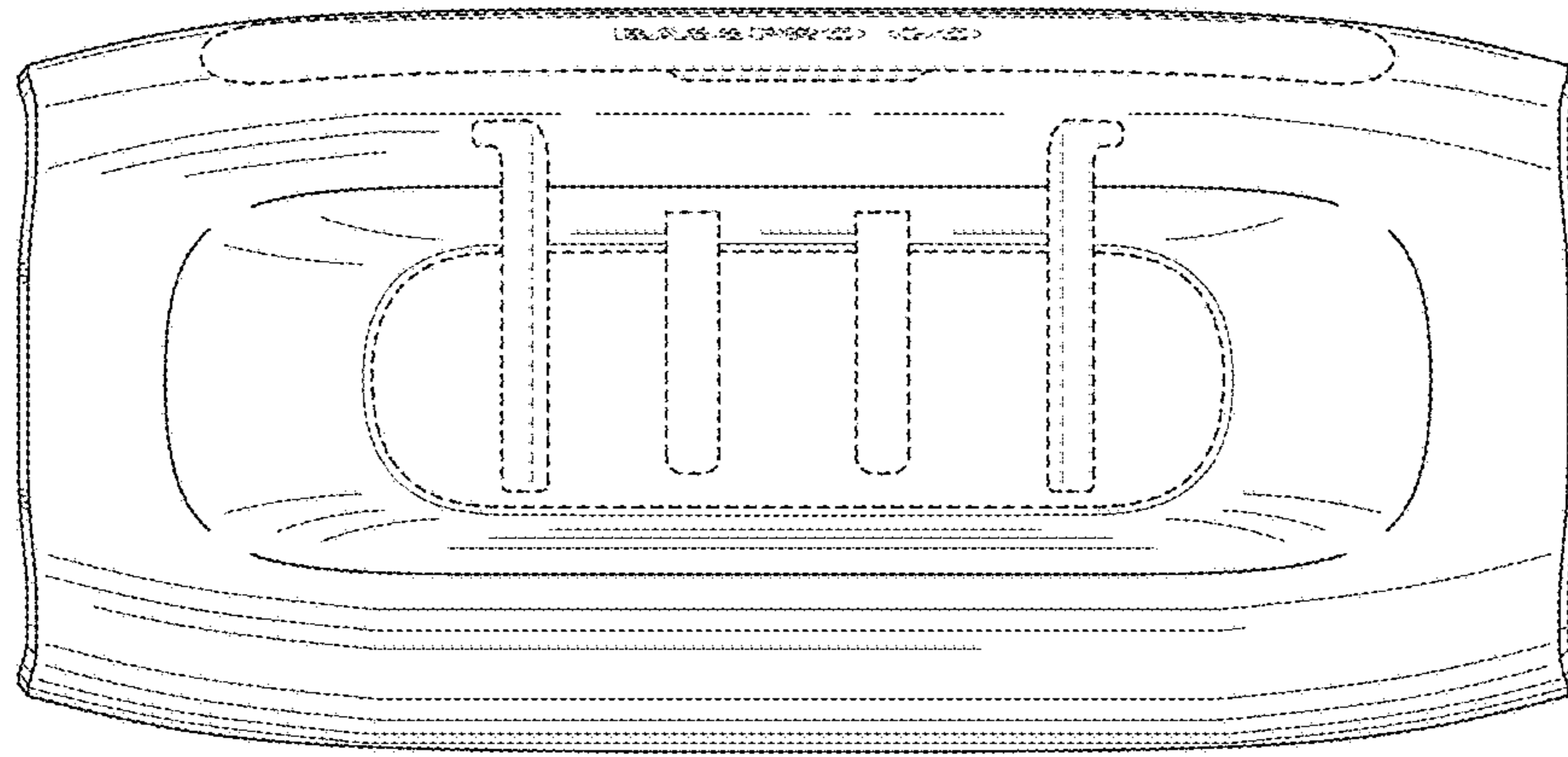


FIG. 15

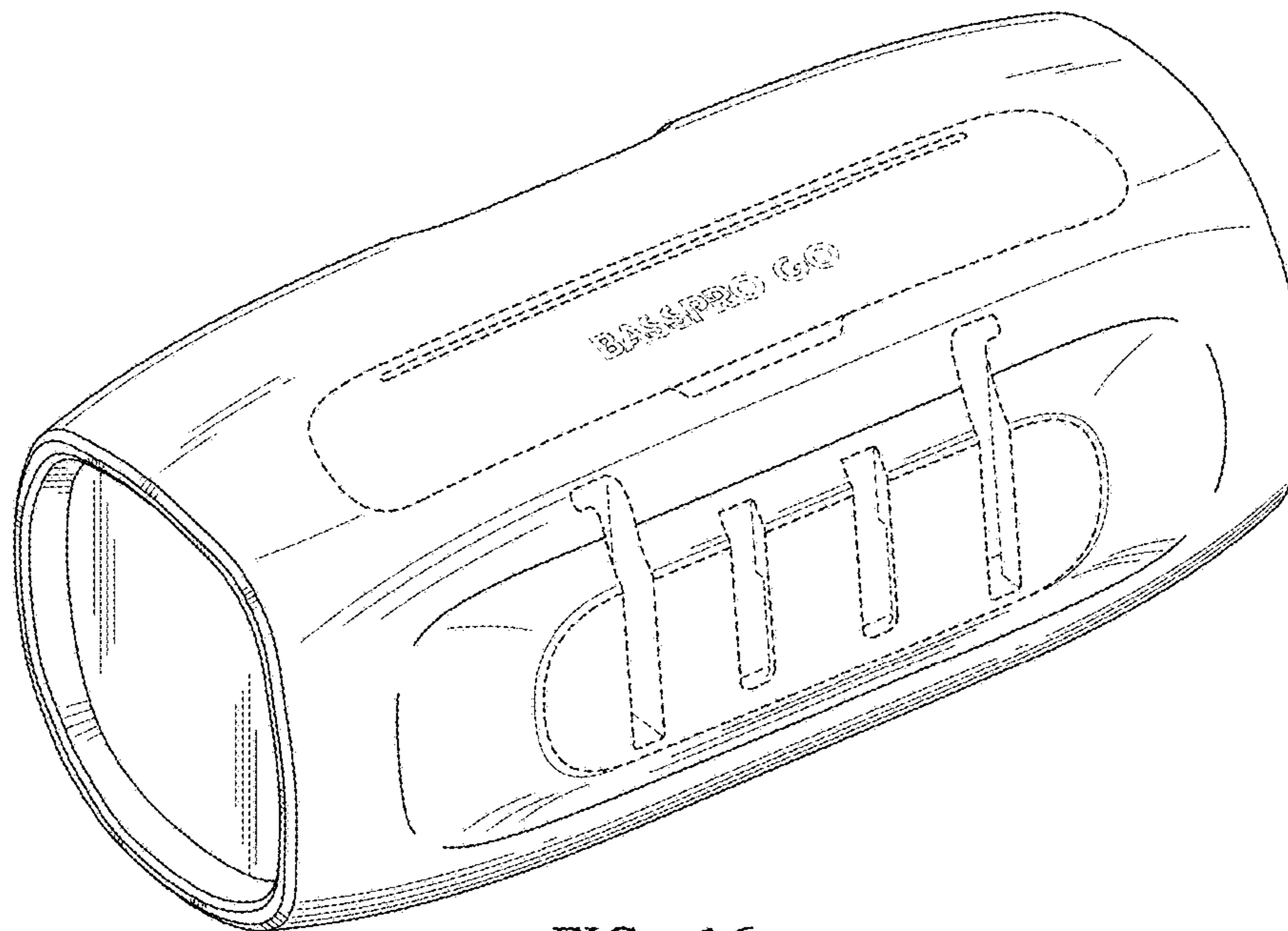


FIG. 16

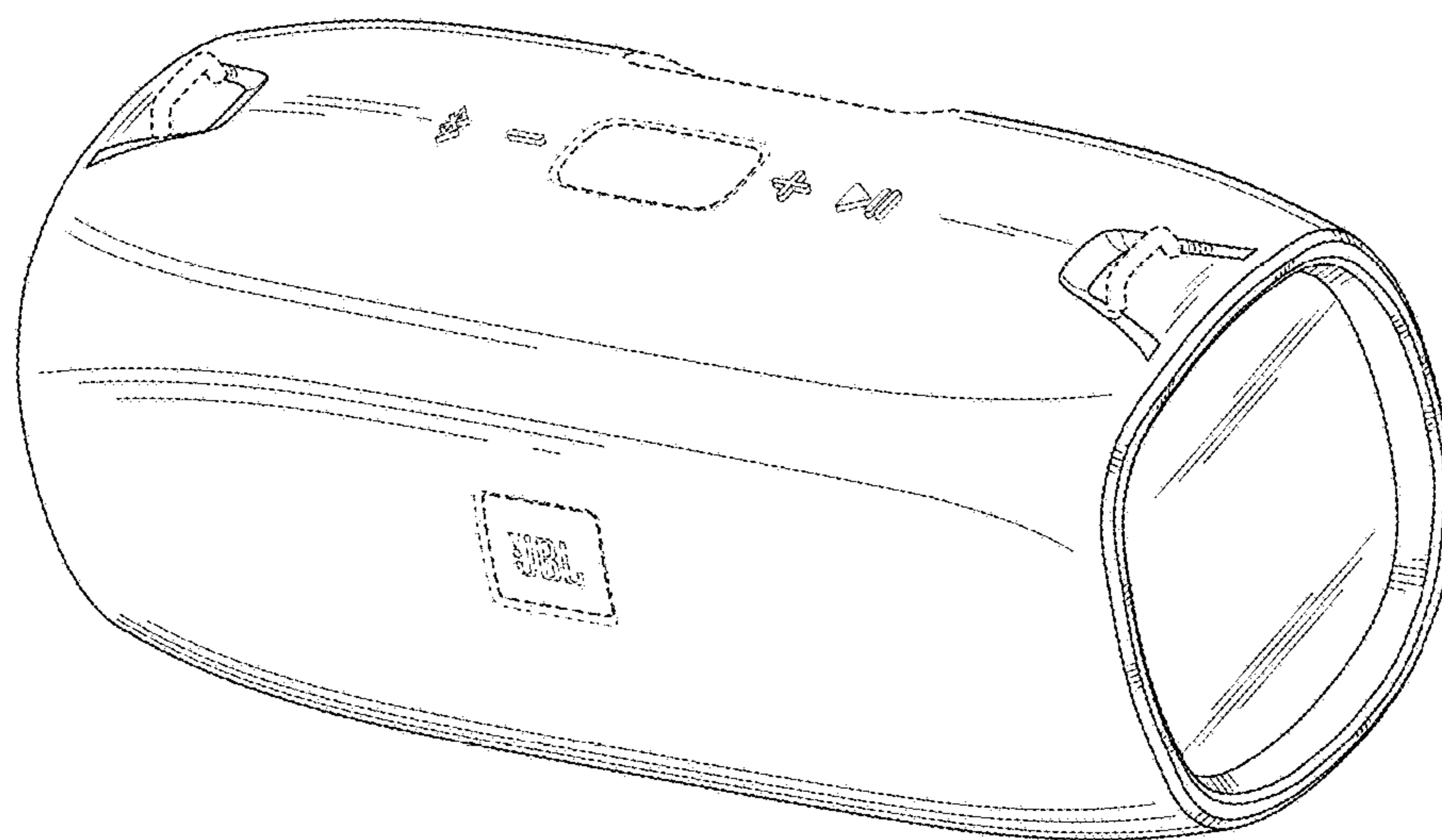


FIG. 17

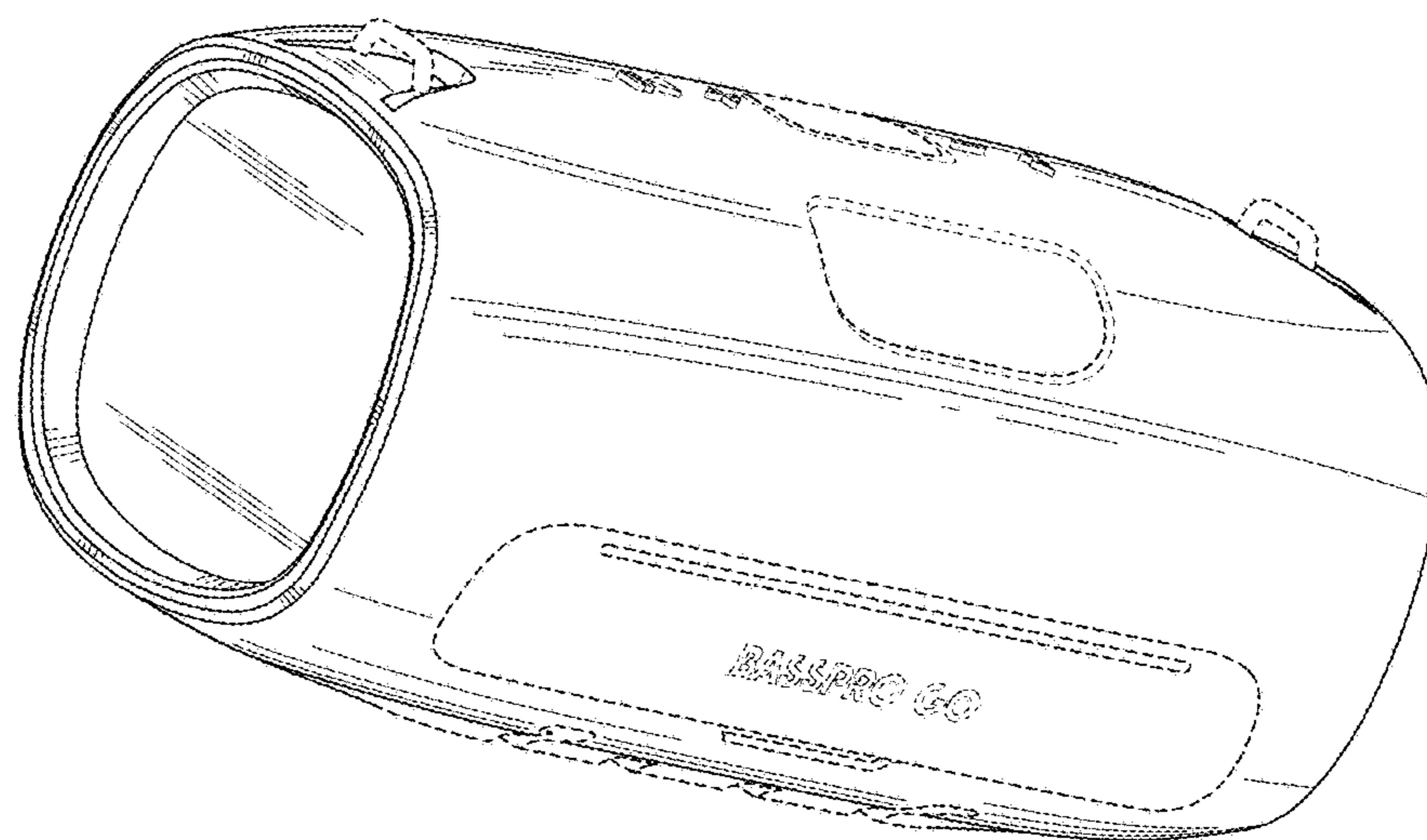


FIG. 18

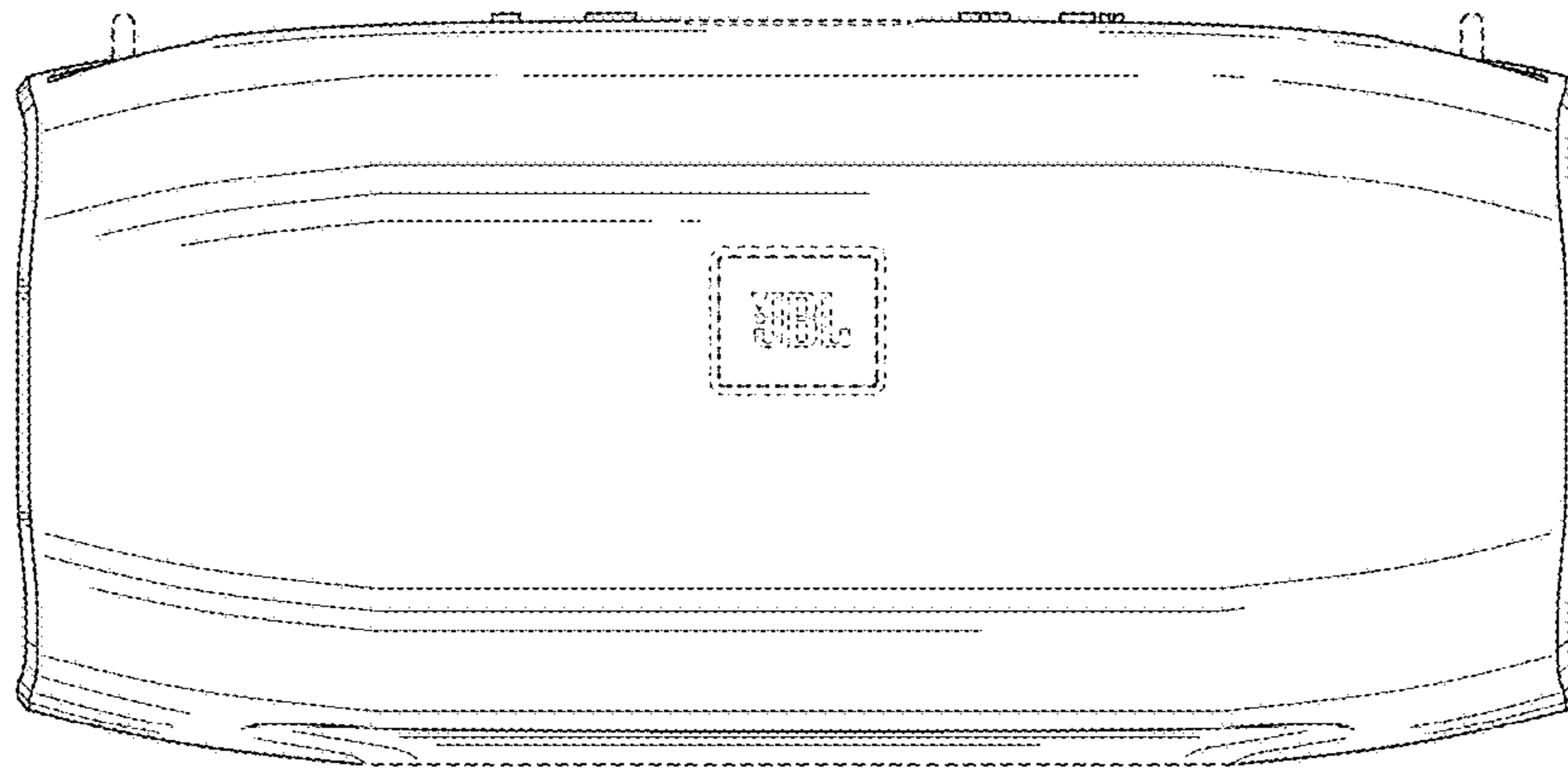


FIG. 19

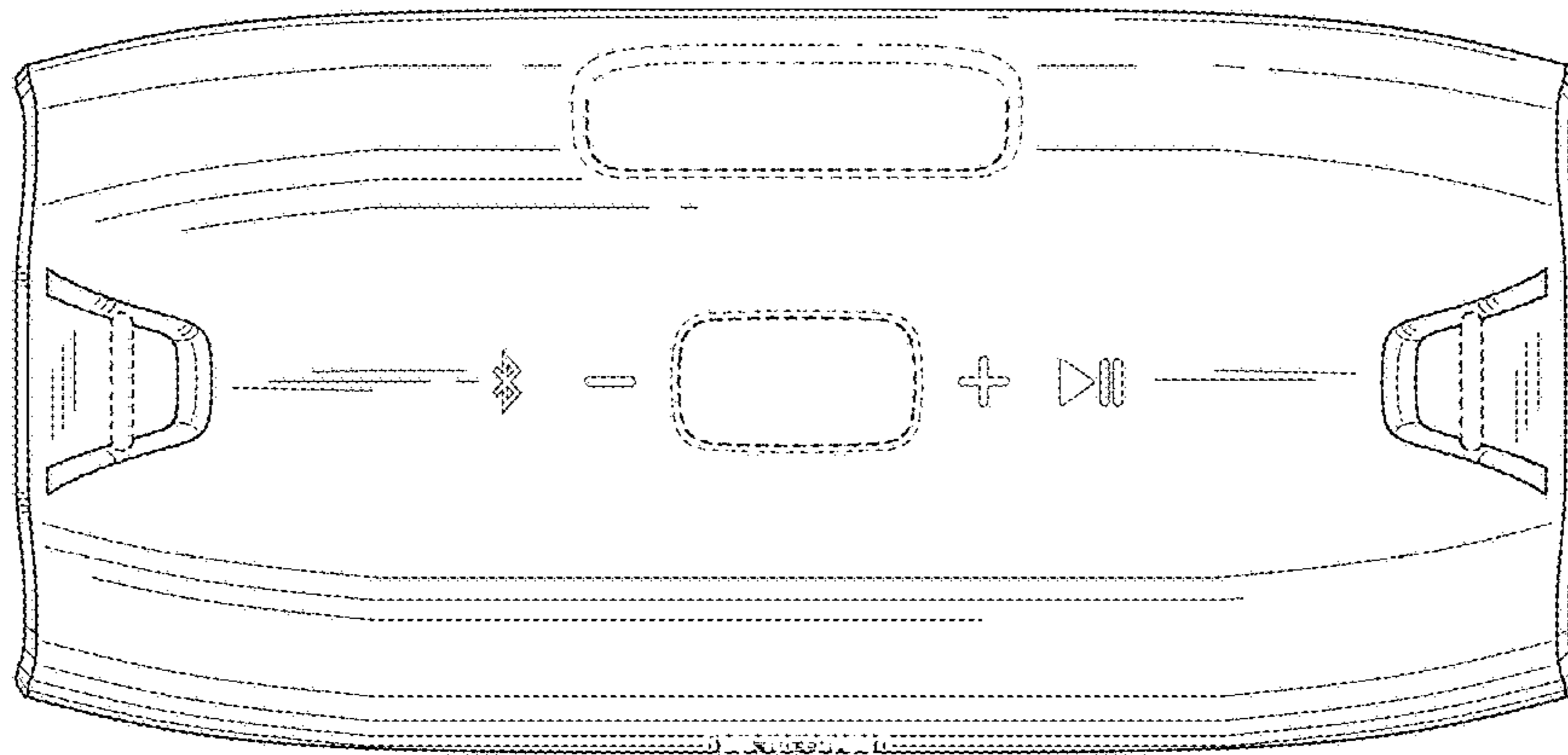


FIG. 20

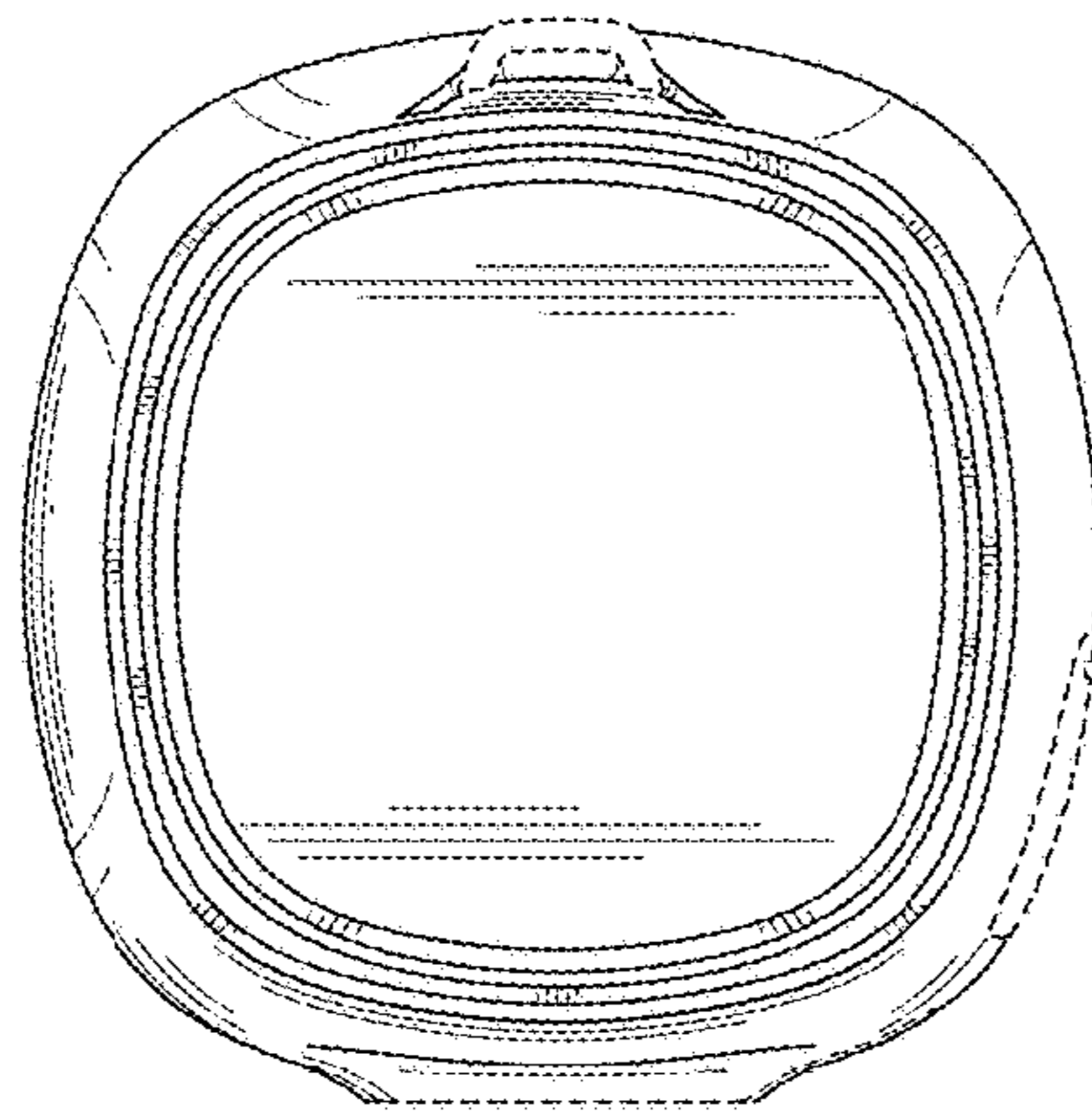


FIG. 21

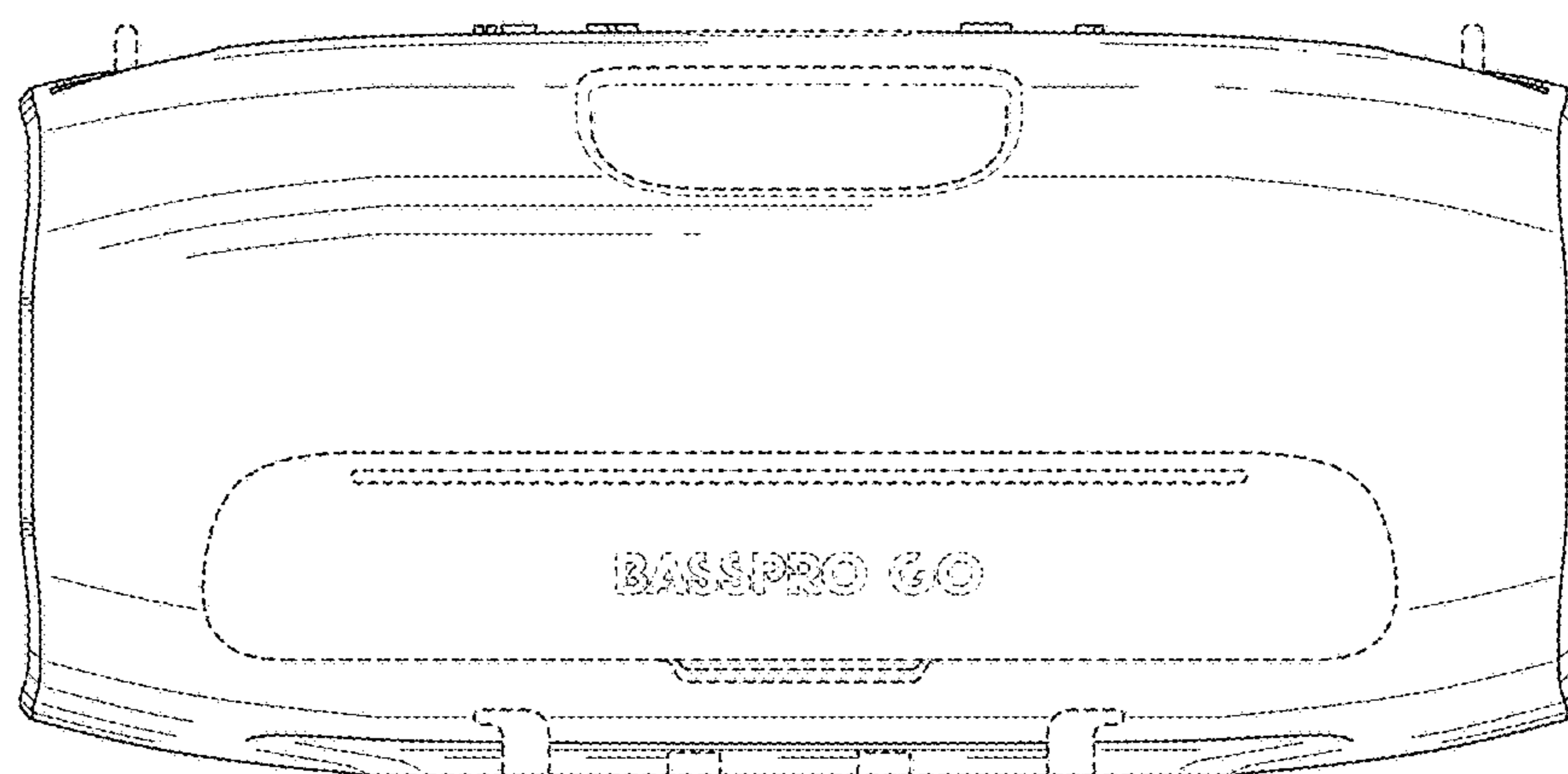


FIG. 22

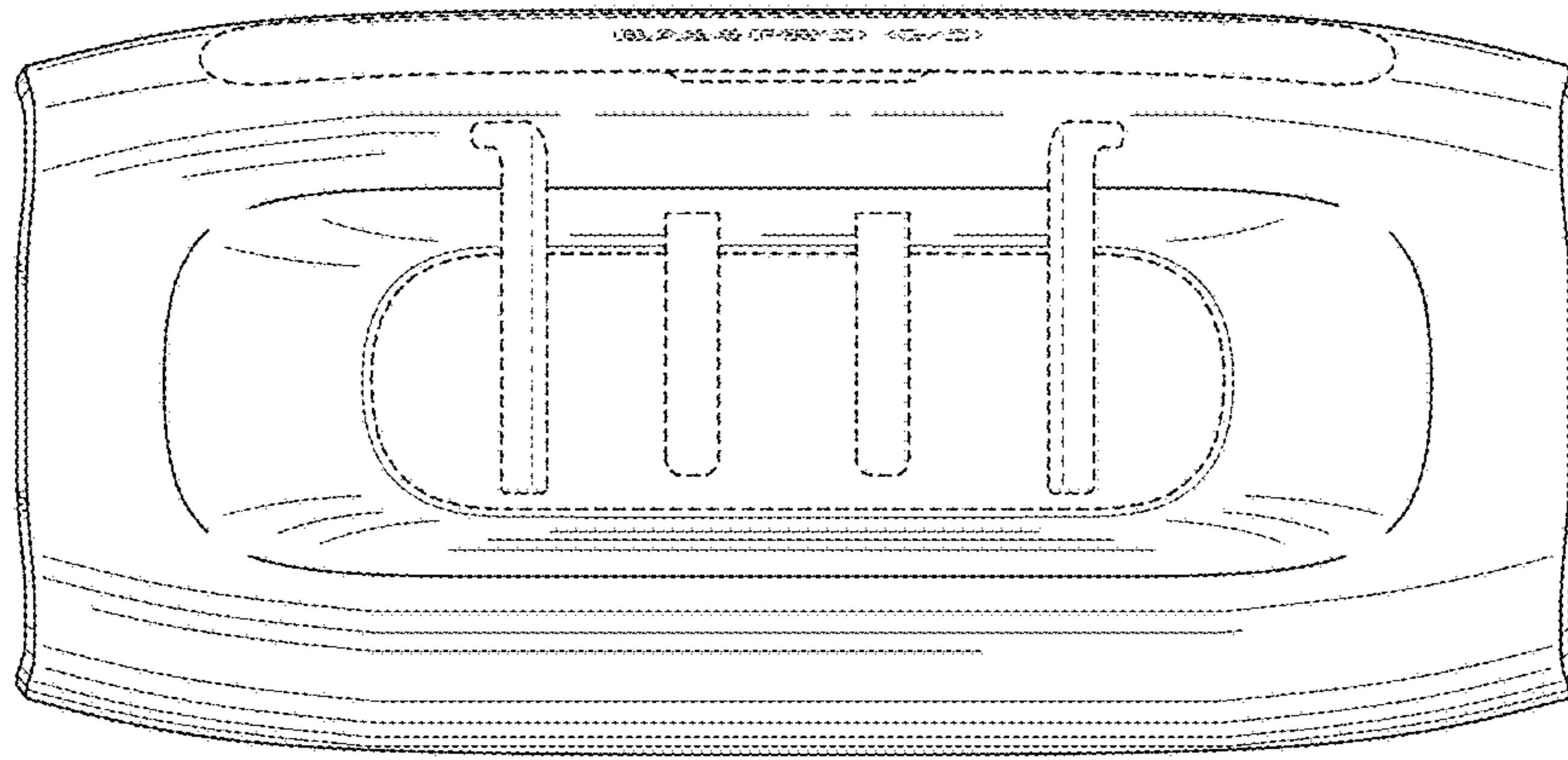


FIG. 23

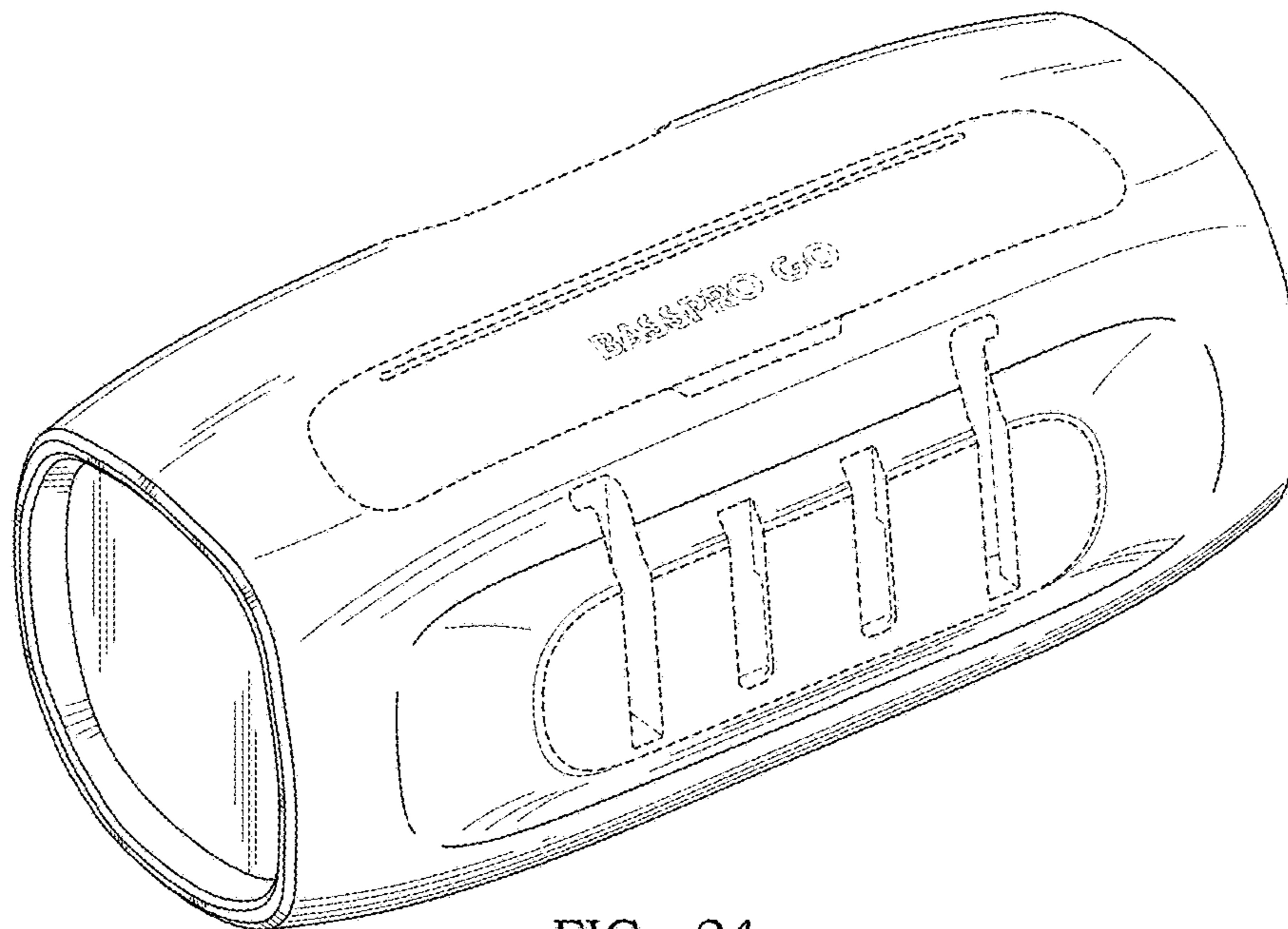


FIG. 24

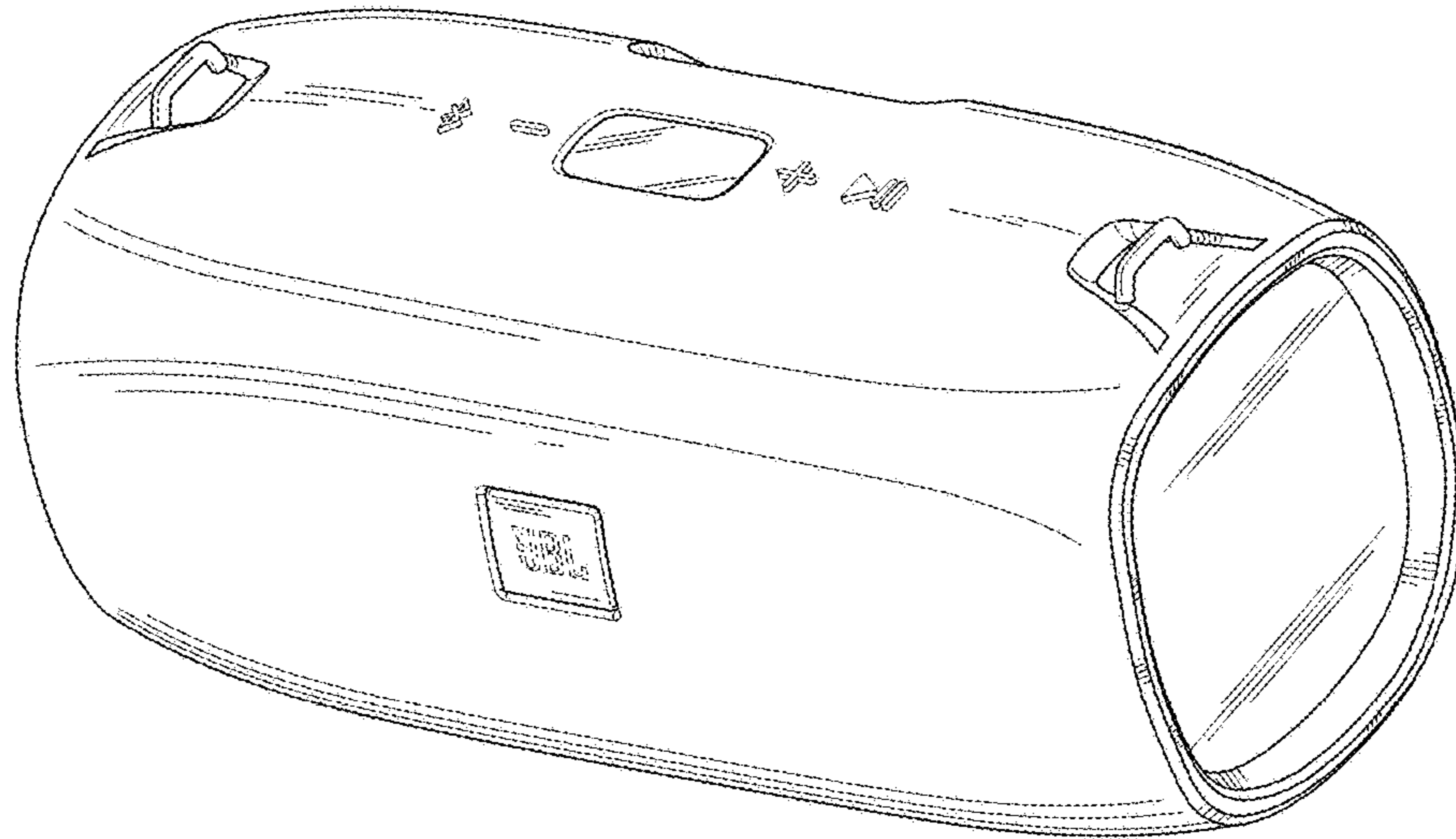


FIG. 25

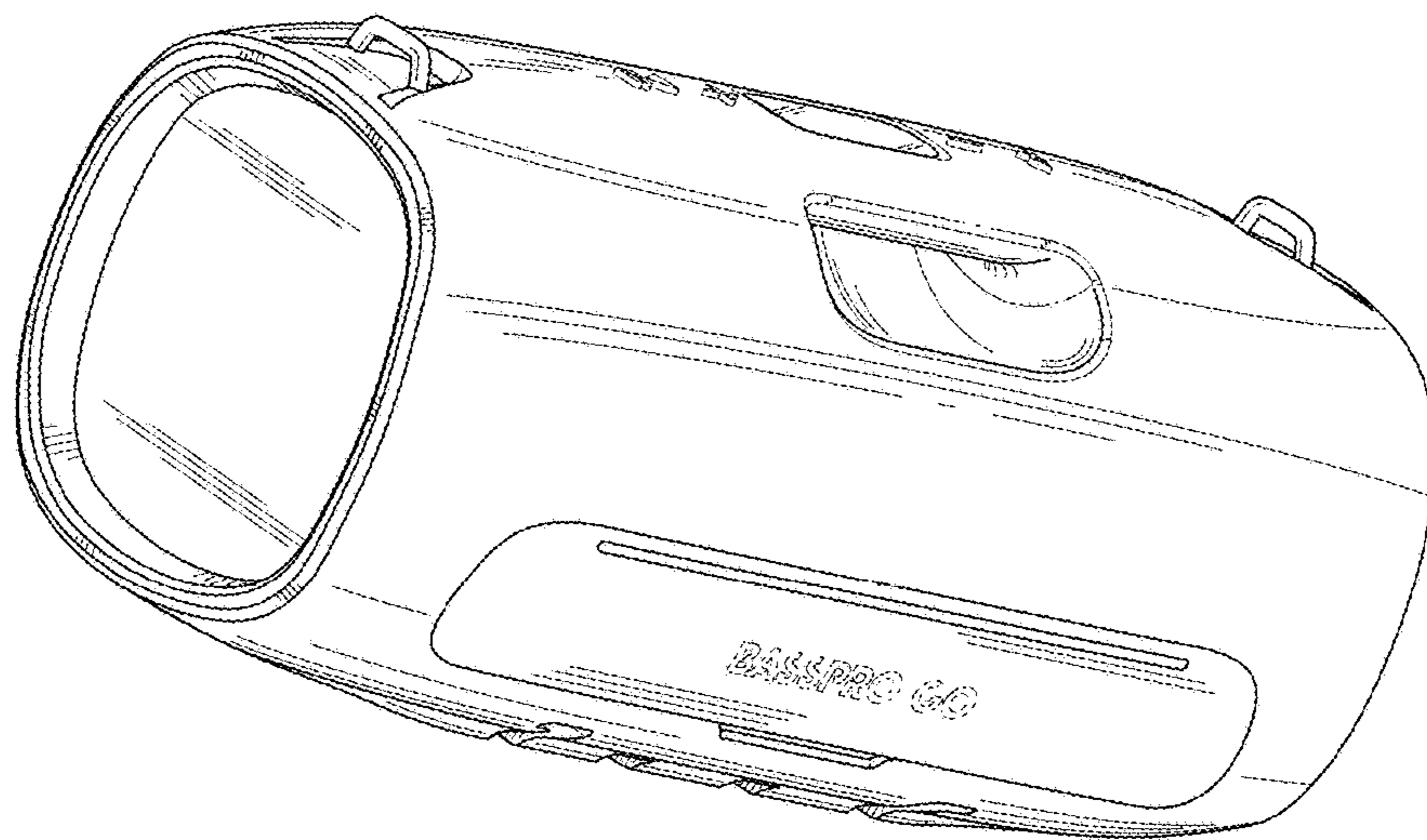


FIG. 26

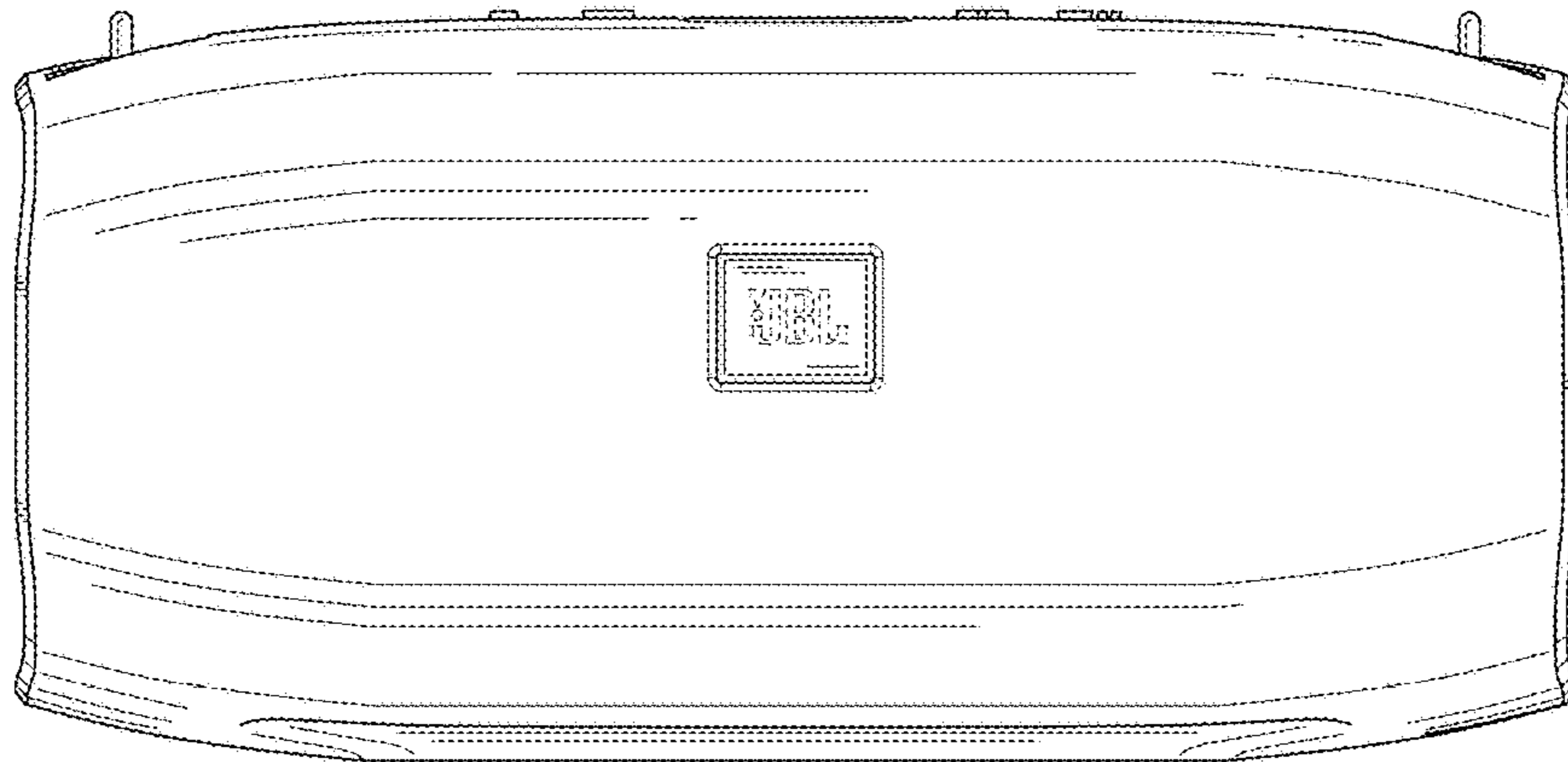


FIG. 27

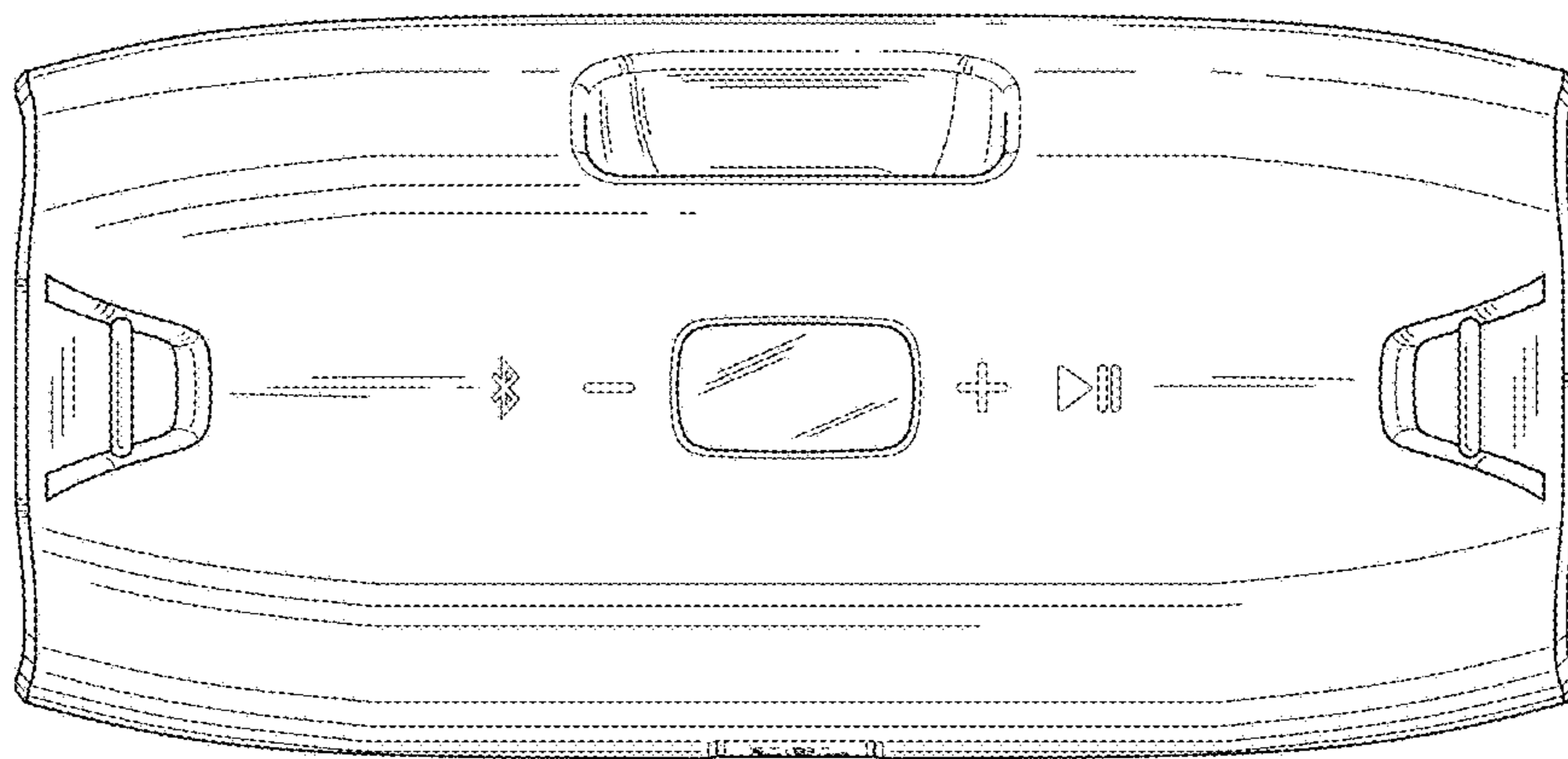


FIG. 28

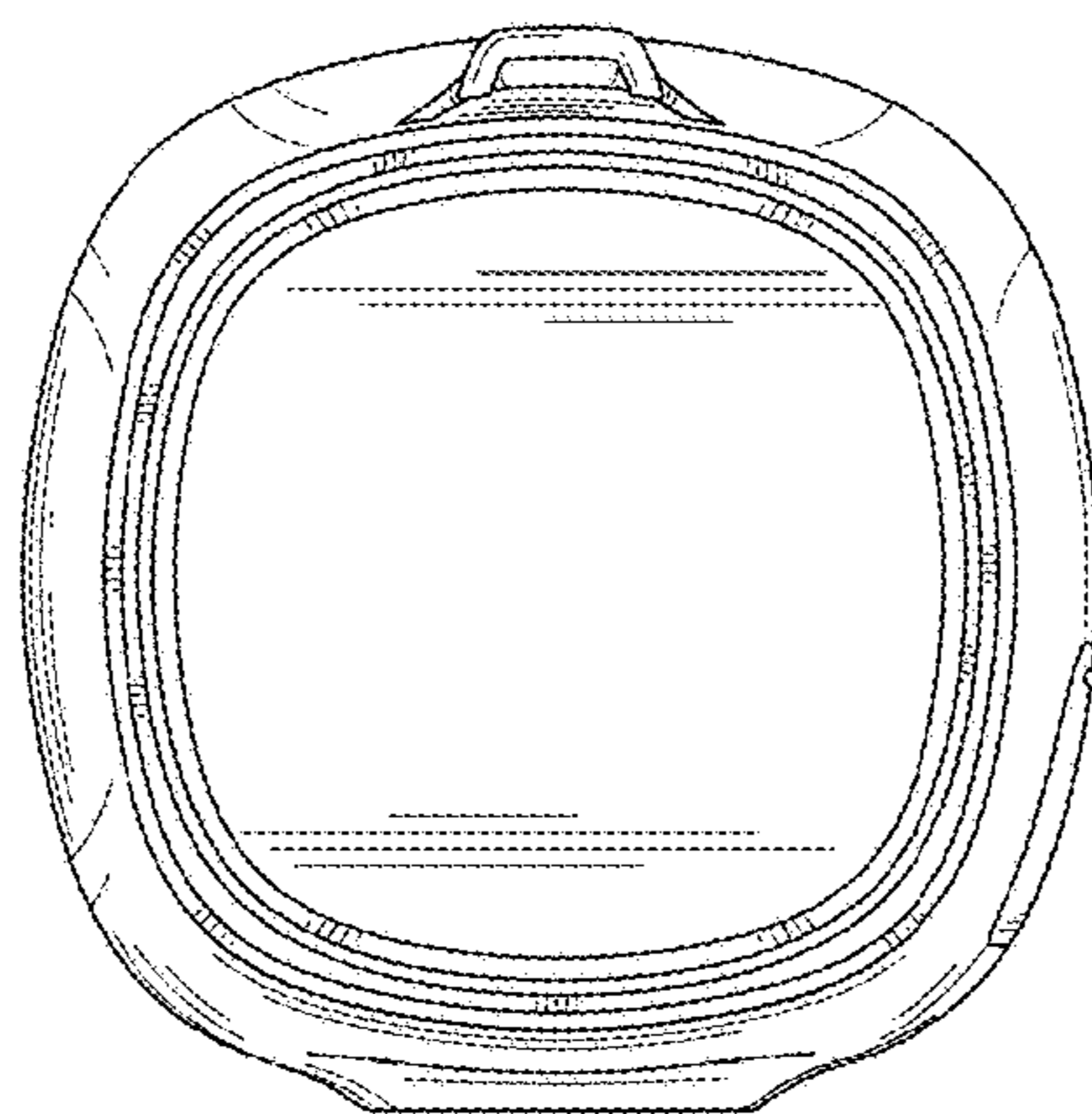


FIG. 29

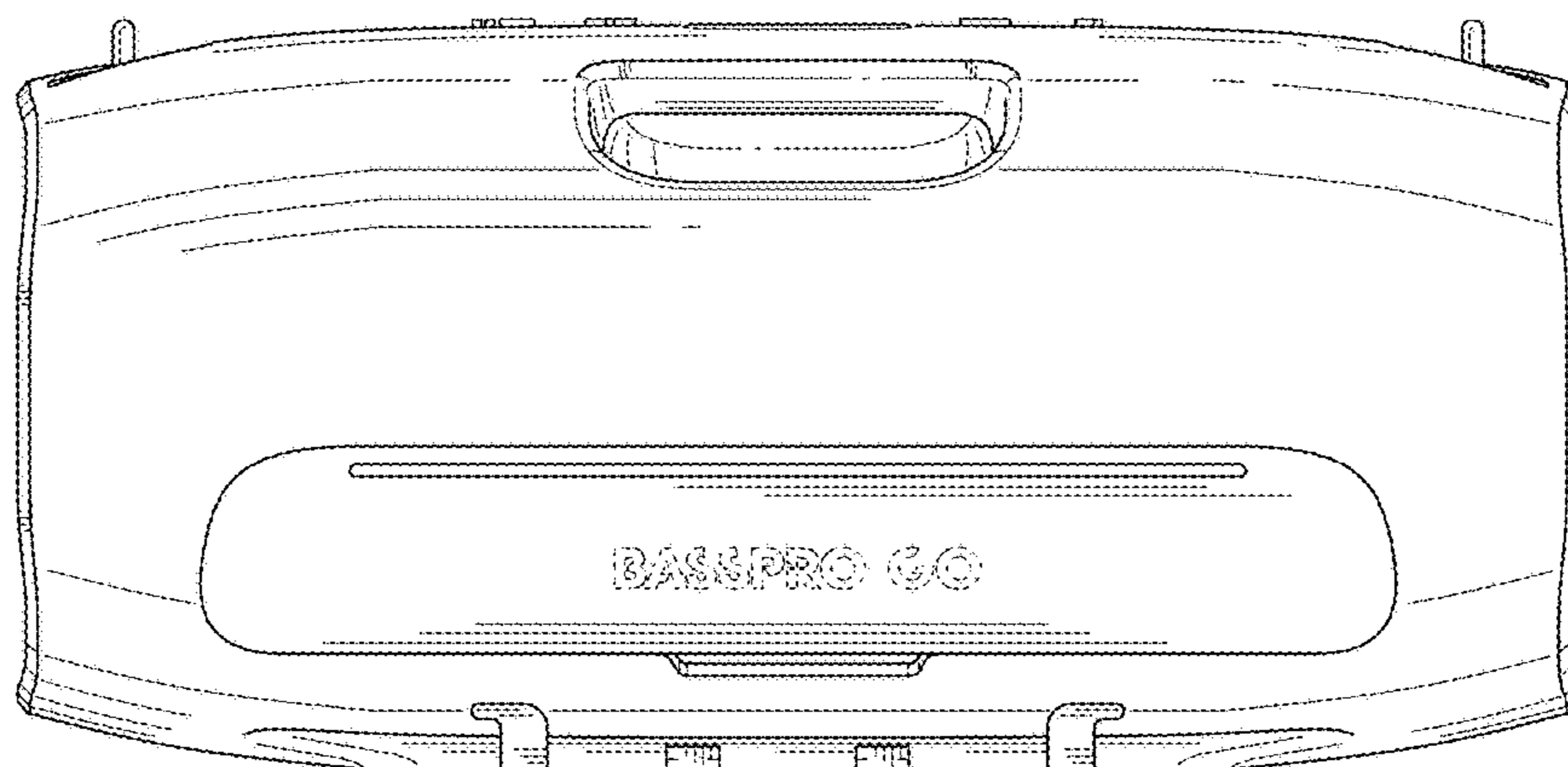


FIG. 30

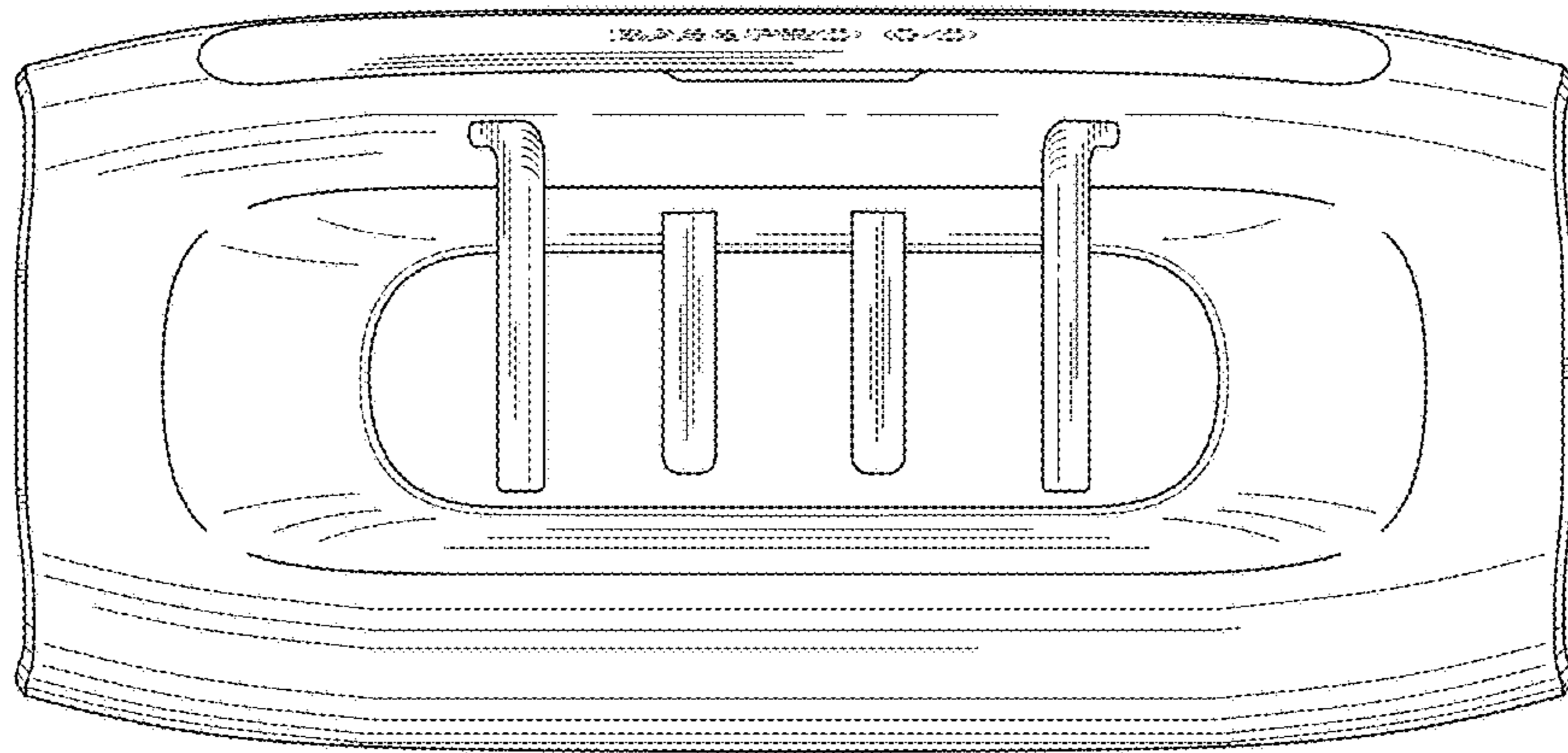


FIG. 31

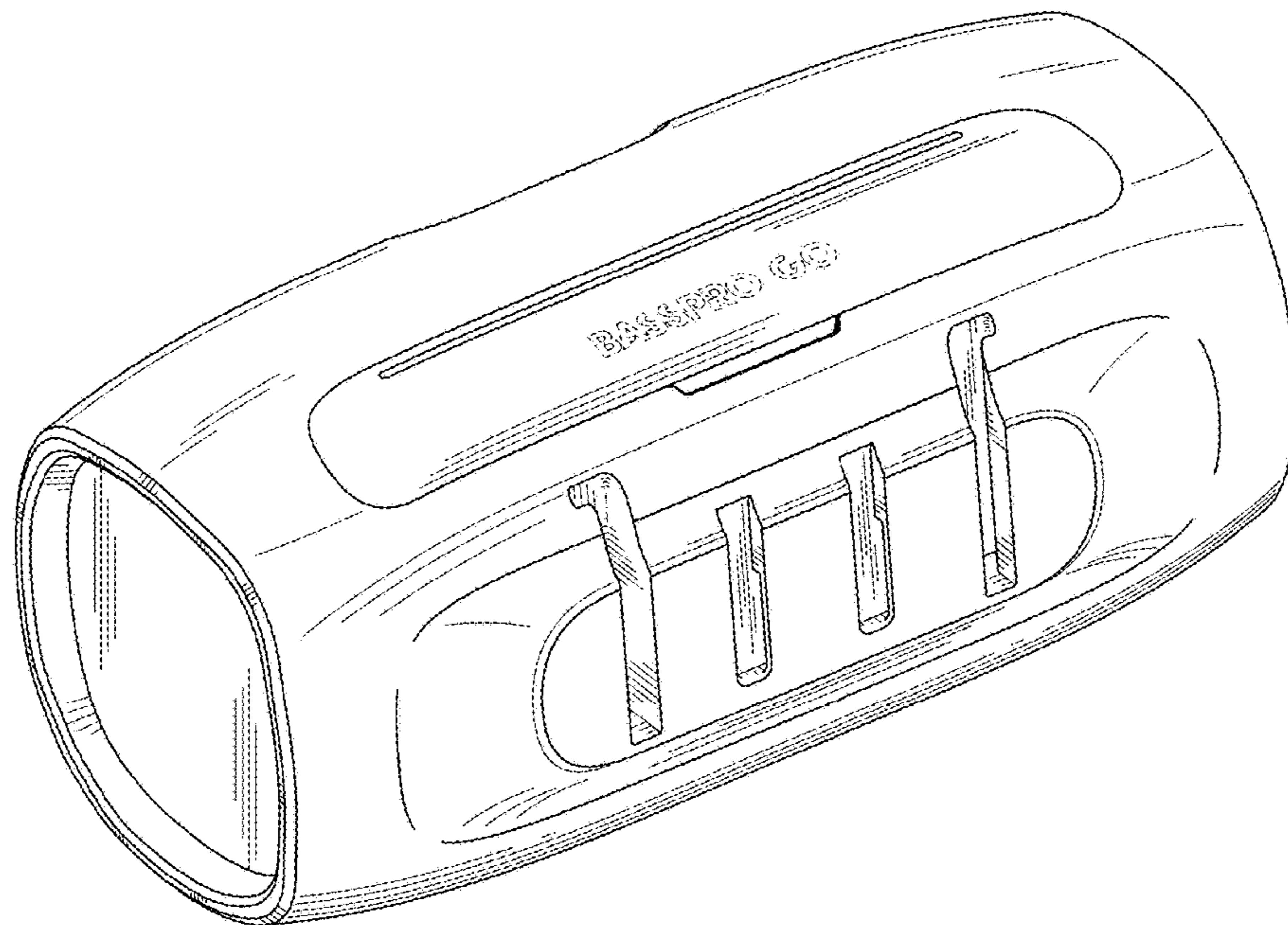


FIG. 32