



US00D845916S

(12) **United States Design Patent**  
**Enger**

(10) **Patent No.:** **US D845,916 S**  
(45) **Date of Patent:** **\*\* Apr. 16, 2019**

(54) **FUSE LOCK OUT DEVICE**

(71) Applicant: **Brady Worldwide, Inc.**, Milwaukee, WI (US)

(72) Inventor: **Andrew N. Enger**, Muskego, WI (US)

(73) Assignee: **Brady Worldwide, Inc.**, Milwaukee, WI (US)

(\*\*) Term: **15 Years**

(21) Appl. No.: **29/615,405**

(22) Filed: **Aug. 29, 2017**

(51) **LOC (11) Cl.** ..... **13-03**

(52) **U.S. Cl.**  
USPC ..... **D13/178**

(58) **Field of Classification Search**  
USPC ..... D13/161, 173, 178; D8/330, 331, 394; 439/135  
CPC ..... H01H 9/00; H01H 9/283; H01H 9/286; H01H 85/02; H01H 85/0208; H01H 85/24; H01R 13/44; H01R 13/443; H01R 13/465  
See application file for complete search history.

(56) **References Cited**

U.S. PATENT DOCUMENTS

5,207,590	A	5/1993	Benda	
D365,547	S *	12/1995	Steinwachs	D13/178
5,751,208	A *	5/1998	Martinez	H01H 85/0208
				337/194
6,469,264	B2 *	10/2002	Benda	H01H 9/282
				200/43.14
6,630,626	B2 *	10/2003	Johnson	H01H 85/0208
				174/138 F
D564,337	S *	3/2008	Brojanac	D13/178
D564,859	S *	3/2008	Brojanac	D13/178
8,629,359	B2 *	1/2014	Hackett	H01H 9/283
				200/43.14
D774,870	S *	12/2016	Nasr	D8/330
D808,345	S *	1/2018	Benda	D13/178

D808,347	S *	1/2018	Benda	D13/178
10,023,130	B2 *	7/2018	Kurashina	B60R 11/06
2006/0266631	A1 *	11/2006	Kalous	H01H 9/283
				200/43.14
2012/0205224	A1 *	8/2012	Hackett	H01H 9/283
				200/43.14
2014/0102865	A1 *	4/2014	Obenshain	H01H 9/20
				200/43.11
2014/0220802	A1 *	8/2014	Bogart	H01H 9/00
				439/133
2014/0262702	A1 *	9/2014	Oley	H01H 9/283
				200/43.11
2015/0206668	A1 *	7/2015	Montgomery	H01H 9/283
				200/43.21

\* cited by examiner

*Primary Examiner* — Selina Sikder

(74) *Attorney, Agent, or Firm* — Quarles & Brady LLP

(57) **CLAIM**

The ornamental design for a fuse lock out device, as shown and described.

**DESCRIPTION**

FIG. 1 is a top, front, and left perspective view of a fuse lock out device in a closed position suitable for receiving a lock in the aligned openings to secure the fuse lock out device in this closed position;

FIG. 2 is a front elevational view of the fuse lock out device of FIG. 1;

FIG. 3 is a rear elevational view of the fuse lock out device of FIG. 1;

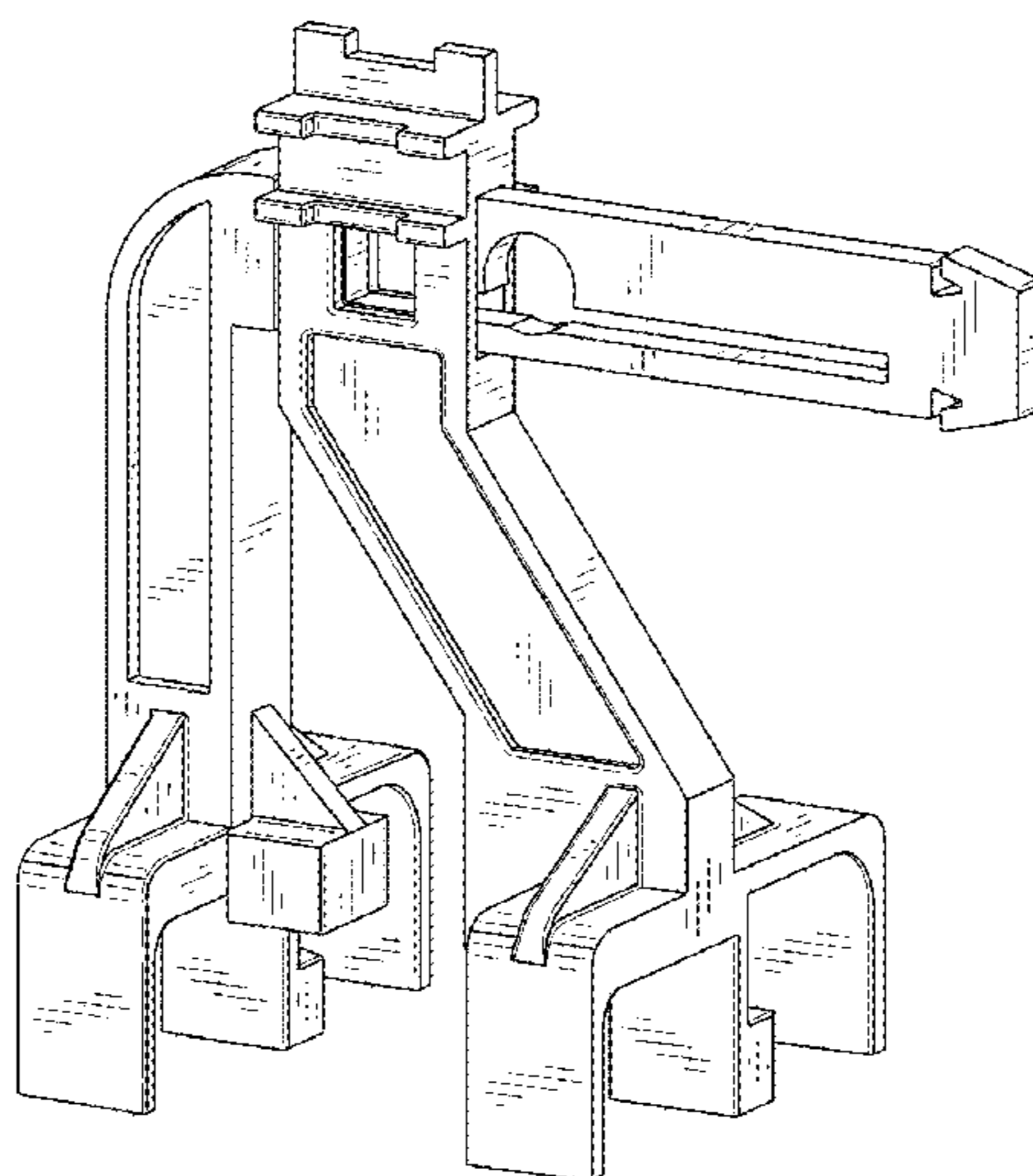
FIG. 4 is a left elevational view of the fuse lock out device of FIG. 1;

FIG. 5 is a right elevational view of the fuse lock out device of FIG. 1;

FIG. 6 is a top plan view of the fuse lock out device of FIG. 1; and,

FIG. 7 is a bottom plan view of the fuse lock out device of FIG. 1.

**1 Claim, 6 Drawing Sheets**



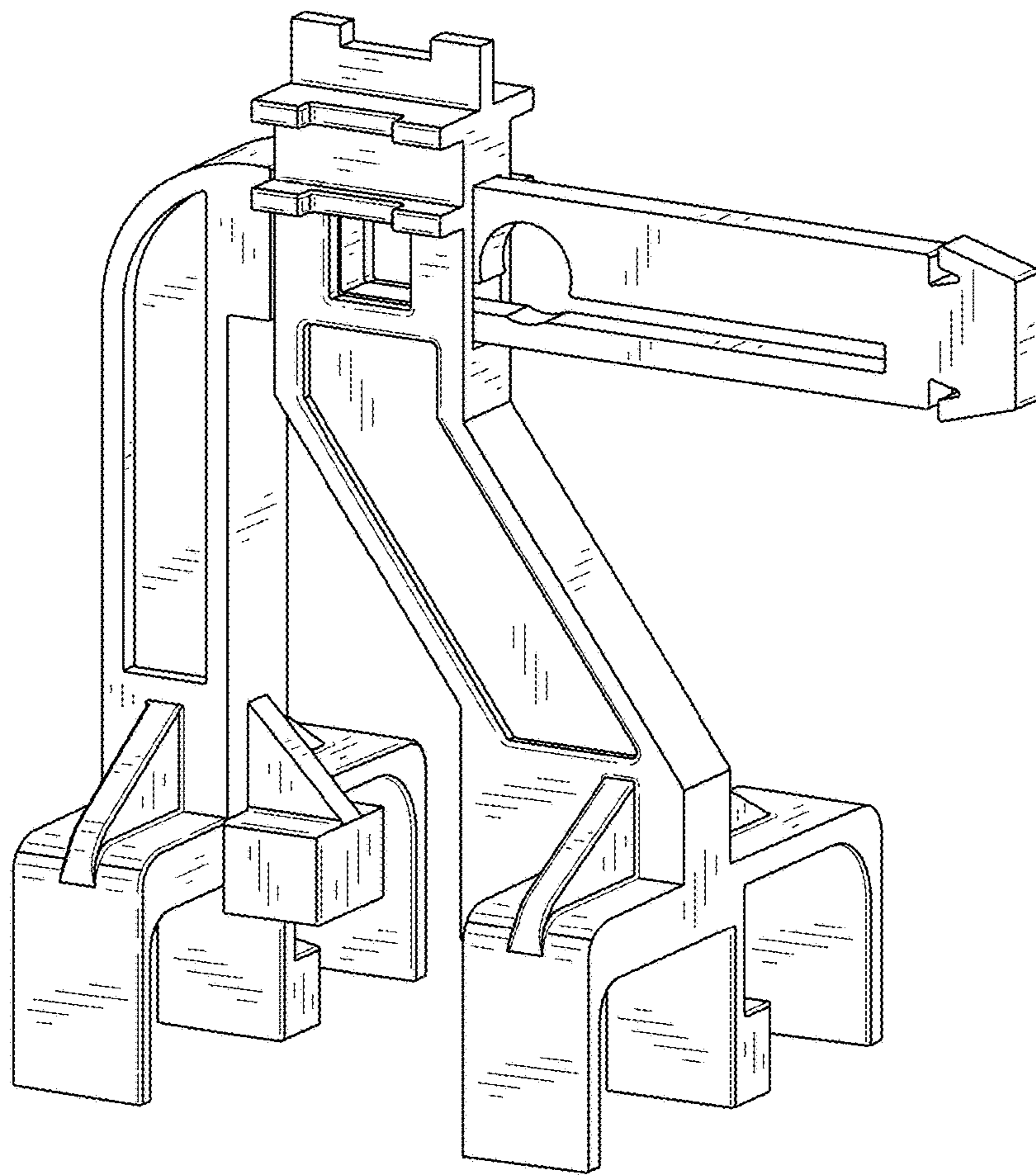


FIG. 1

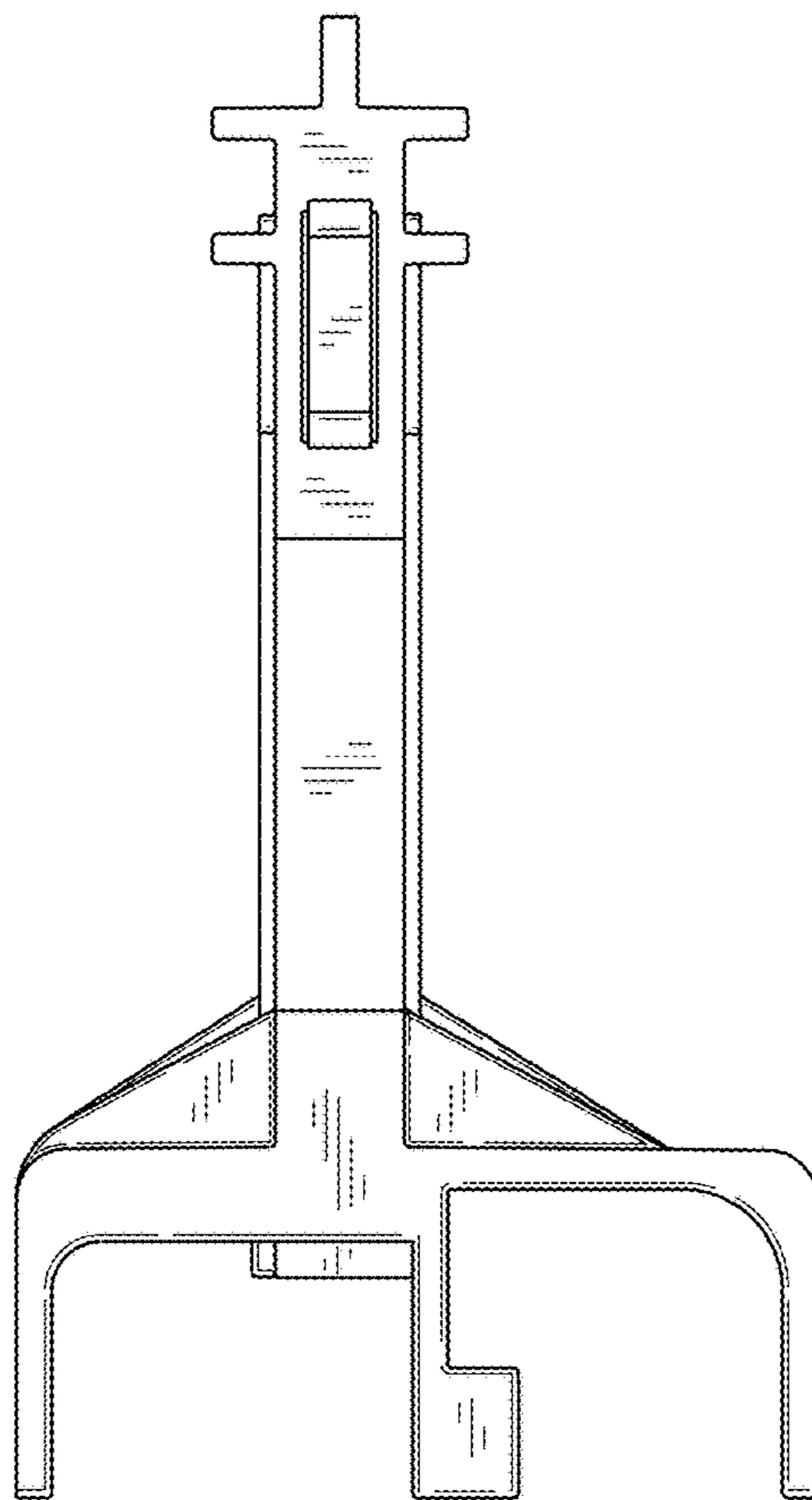


FIG. 2

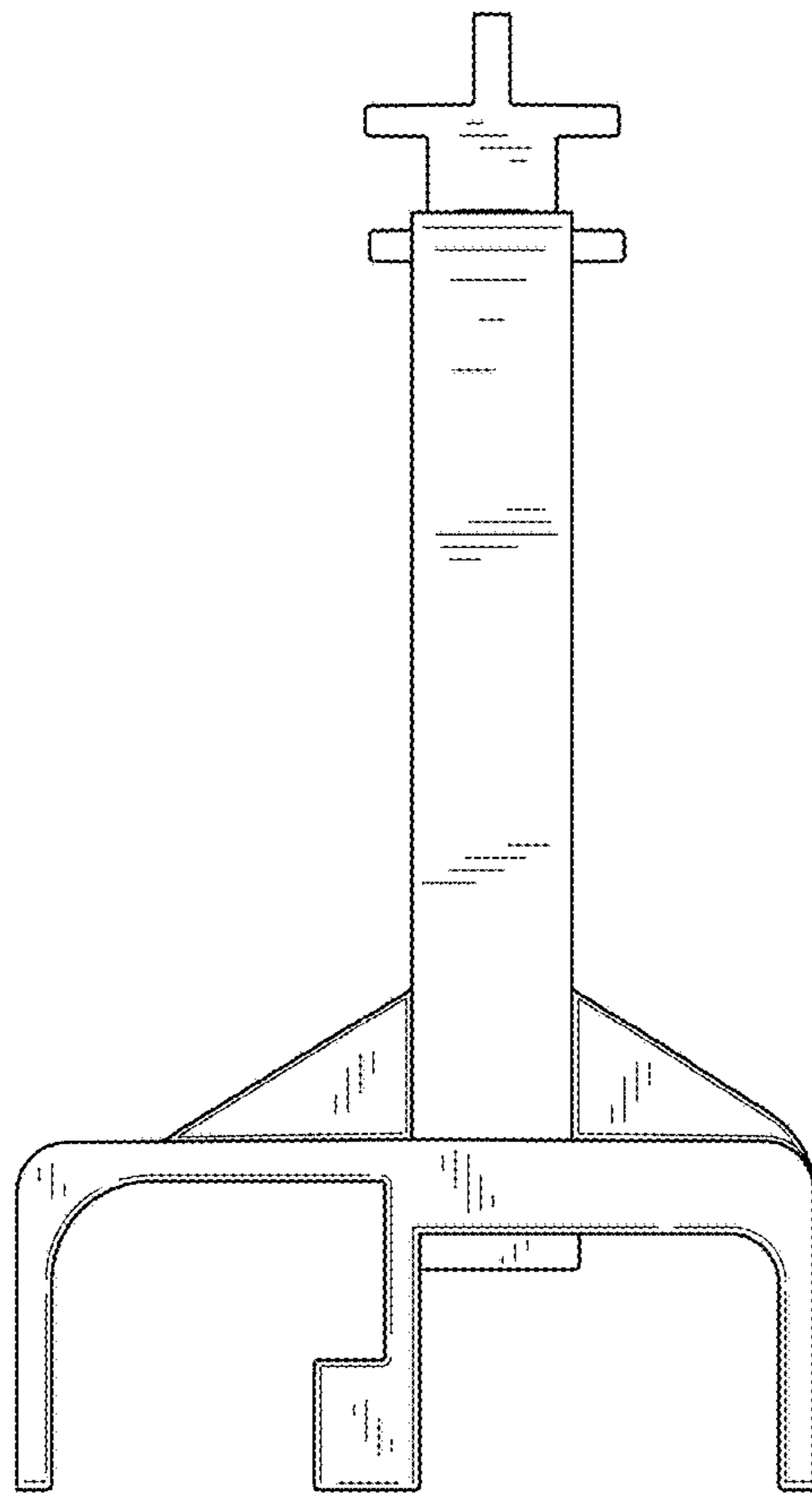


FIG. 3

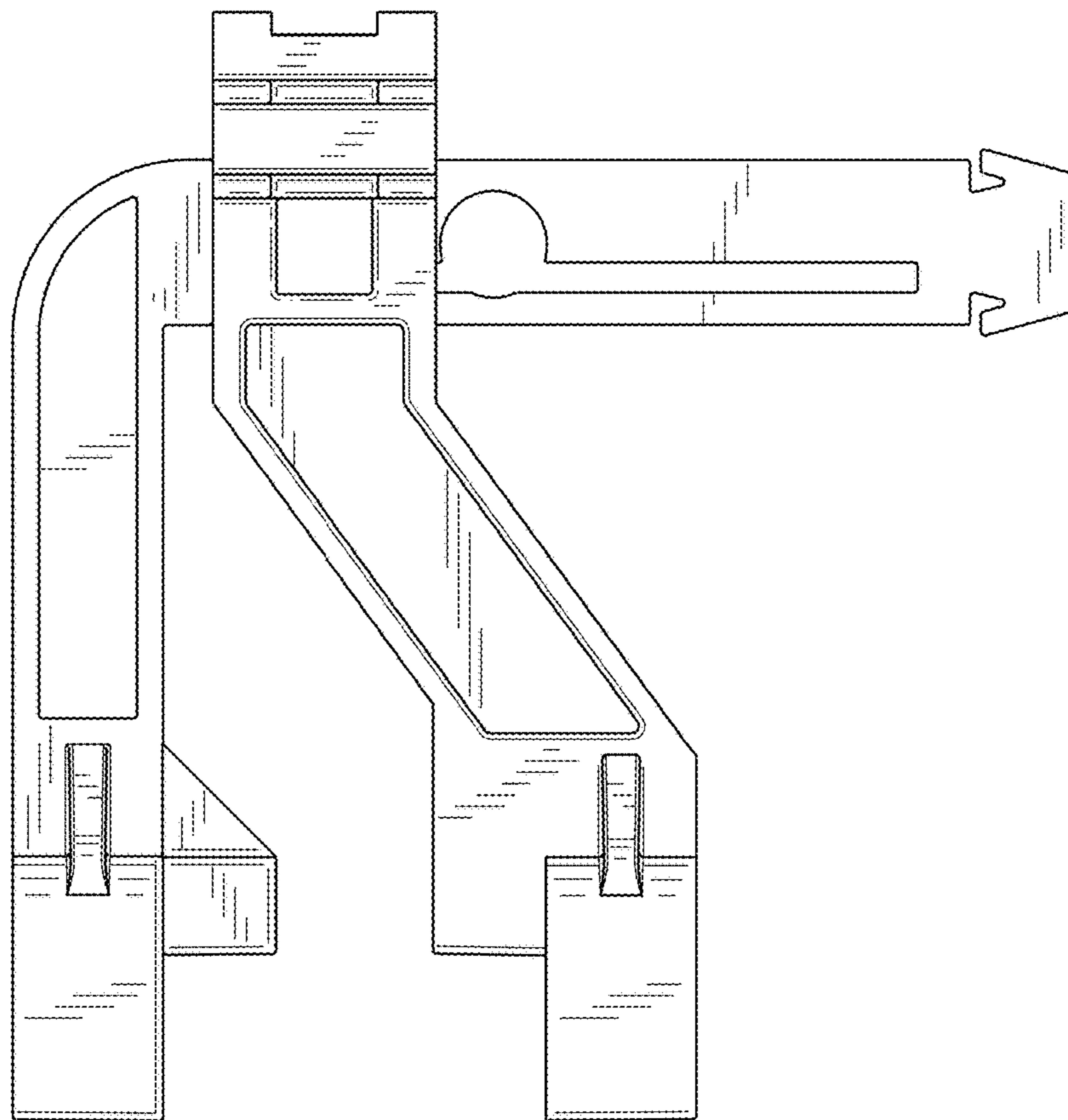


FIG. 4

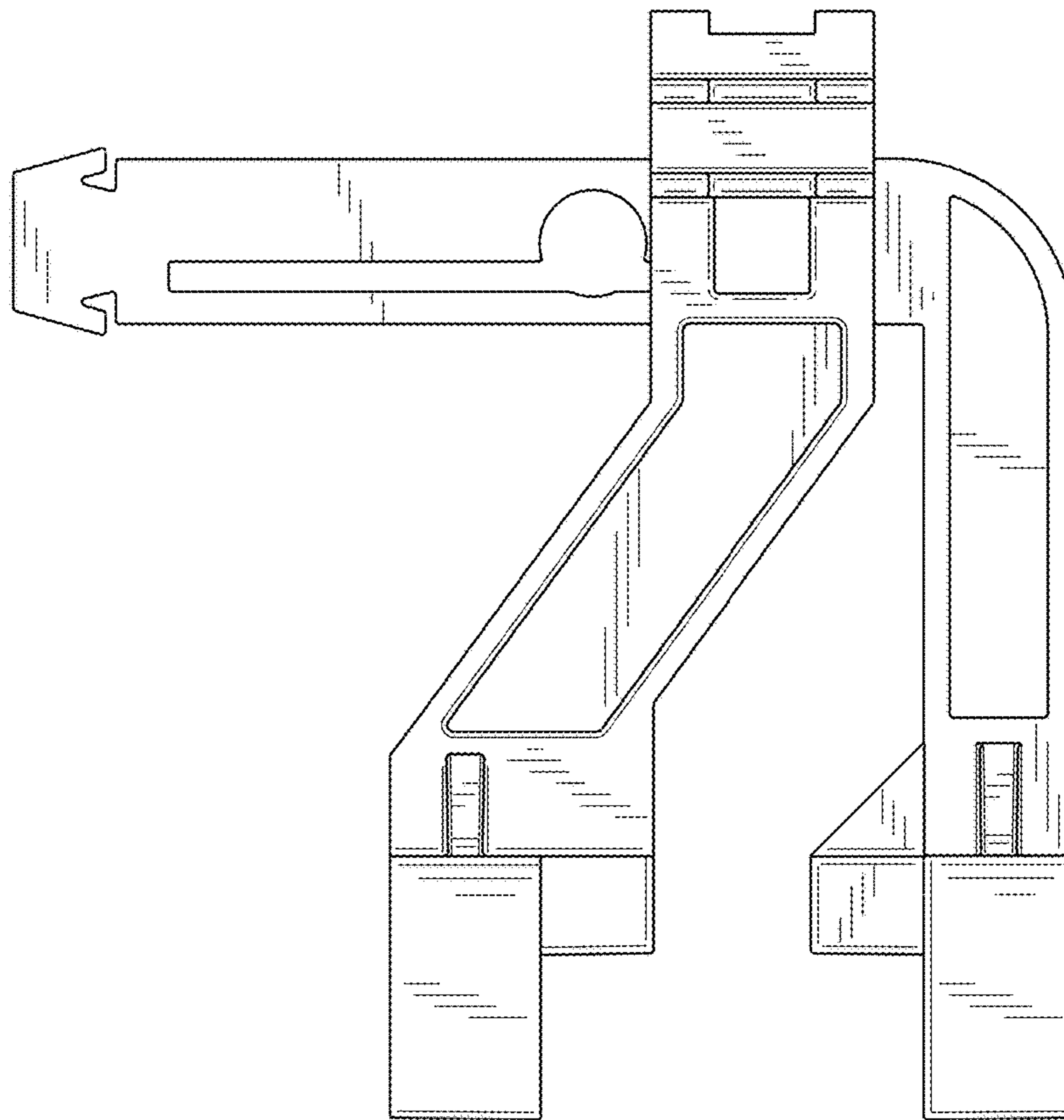


FIG. 5



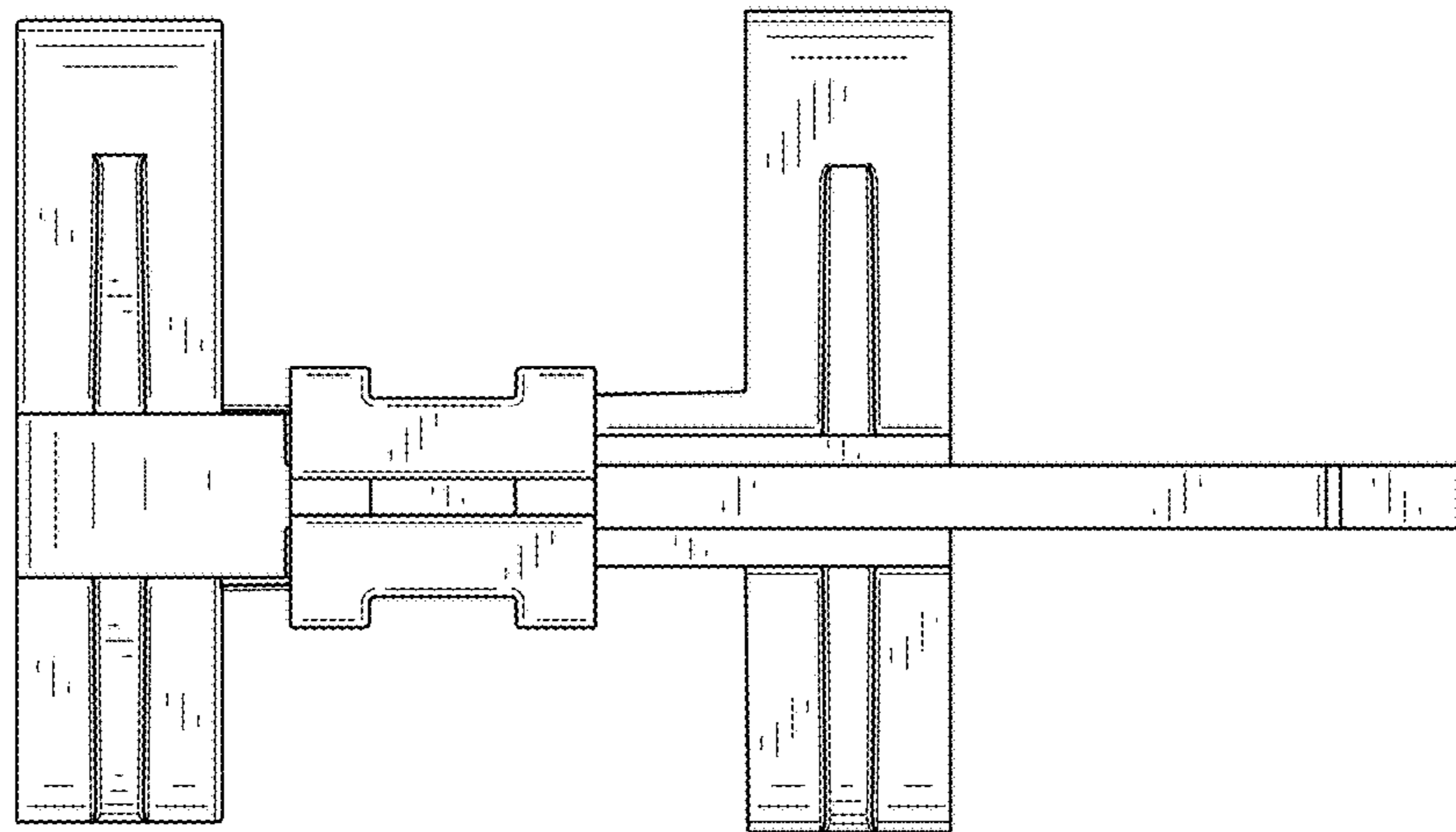


FIG. 6

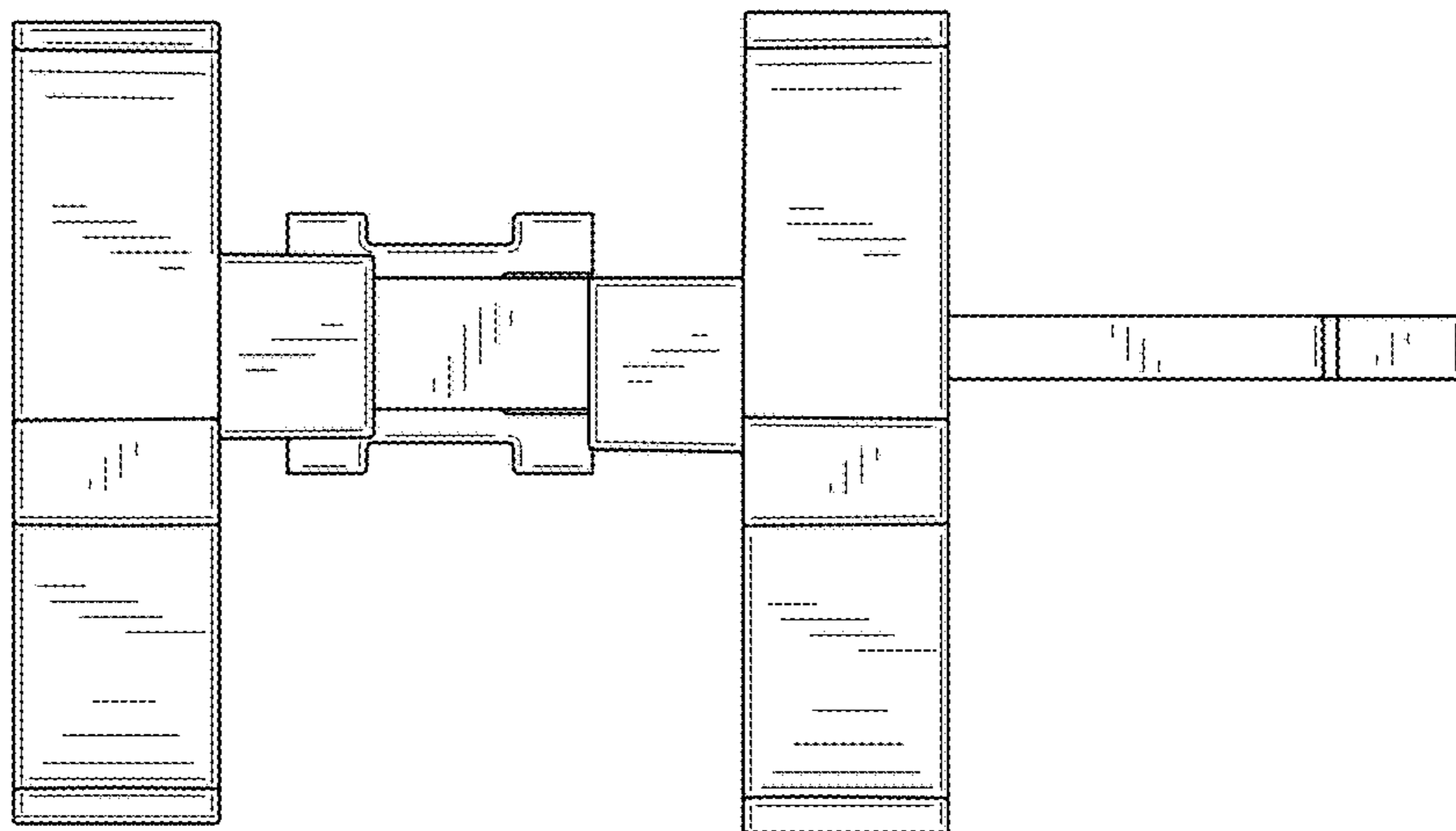


FIG. 7