



US00D845909S

(12) **United States Design Patent** (10) **Patent No.:** **US D845,909 S**
Shin (45) **Date of Patent:** **** Apr. 16, 2019**

- (54) **AIR CIRCUIT BREAKER** D402,267 S * 12/1998 M'Sadoques D13/160
- (71) Applicant: **LSIS CO., LTD.**, Anyang-si, Gyeonggi-do (KR) 5,936,214 A * 8/1999 Phillips H01H 9/282
174/67
- (72) Inventor: **Youngsung Shin**, Anyang-si (KR) 6,486,421 B1 * 11/2002 Jones H01H 9/26
200/50.32
- (73) Assignee: **LSIS CO., LTD.**, Anyang-si, Gyeonggi-Do (KR) D562,777 S * 2/2008 Azzola D13/160
D599,301 S * 9/2009 Azzola D13/160
7,586,058 B2 * 9/2009 Kozar H01H 9/342
218/157

(Continued)

(**) Term: **15 Years**

(21) Appl. No.: **29/617,211**

(22) Filed: **Sep. 12, 2017**

(30) **Foreign Application Priority Data**

Mar. 13, 2017 (KR) 30-2017-0011651

(51) **LOC (11) Cl.** **13-03**

(52) **U.S. Cl.**
USPC **D13/160**

(58) **Field of Classification Search**

USPC D13/110, 112, 122, 123, 156, 158-162.1,
D13/173, 177, 178, 184, 199
CPC .. H01H 5/00; H01H 9/00; H01H 9/20; H01H
9/26; H01H 33/00; H01H 33/48; H01H
33/66; H01H 33/70; H01H 1/06; H01H
1/20; H01H 3/32; H01H 9/02; H01H
9/28; H01H 21/04; H01H 21/22; H01H
33/02; H01H 33/08; H01H 33/10; H01H
33/18; H01H 36/00; H01H 47/00; H01H
50/14; H01H 50/16; H01H 50/44; H02B
11/12; H02B 11/13; H01R 4/26; H01R
4/48; H01R 25/00; H02H 6/00; H02H
7/00

See application file for complete search history.

(56) **References Cited**

U.S. PATENT DOCUMENTS

D347,623 S * 6/1994 Suzuki D13/160
5,575,381 A * 11/1996 Castonguay H01H 3/3031
200/400

OTHER PUBLICATIONS

LSIS Air Circuit Breakers, dated Nov. 2013, [online], [site visited May 23, 2018]. Available from Internet, <URL: [http://www.lsis.com/usa/common/handler/download.ashx?path=%2Fusa%2Fdownload%2Fno-check%2Fdownload%2FSusol_UL_ACB_E_1311\(1\).pdf](http://www.lsis.com/usa/common/handler/download.ashx?path=%2Fusa%2Fdownload%2Fno-check%2Fdownload%2FSusol_UL_ACB_E_1311(1).pdf)> (Year: 2013).*

(Continued)

Primary Examiner — Angela J Lee
Assistant Examiner — Shawn T Gingrich
(74) *Attorney, Agent, or Firm* — K&L Gates LLP

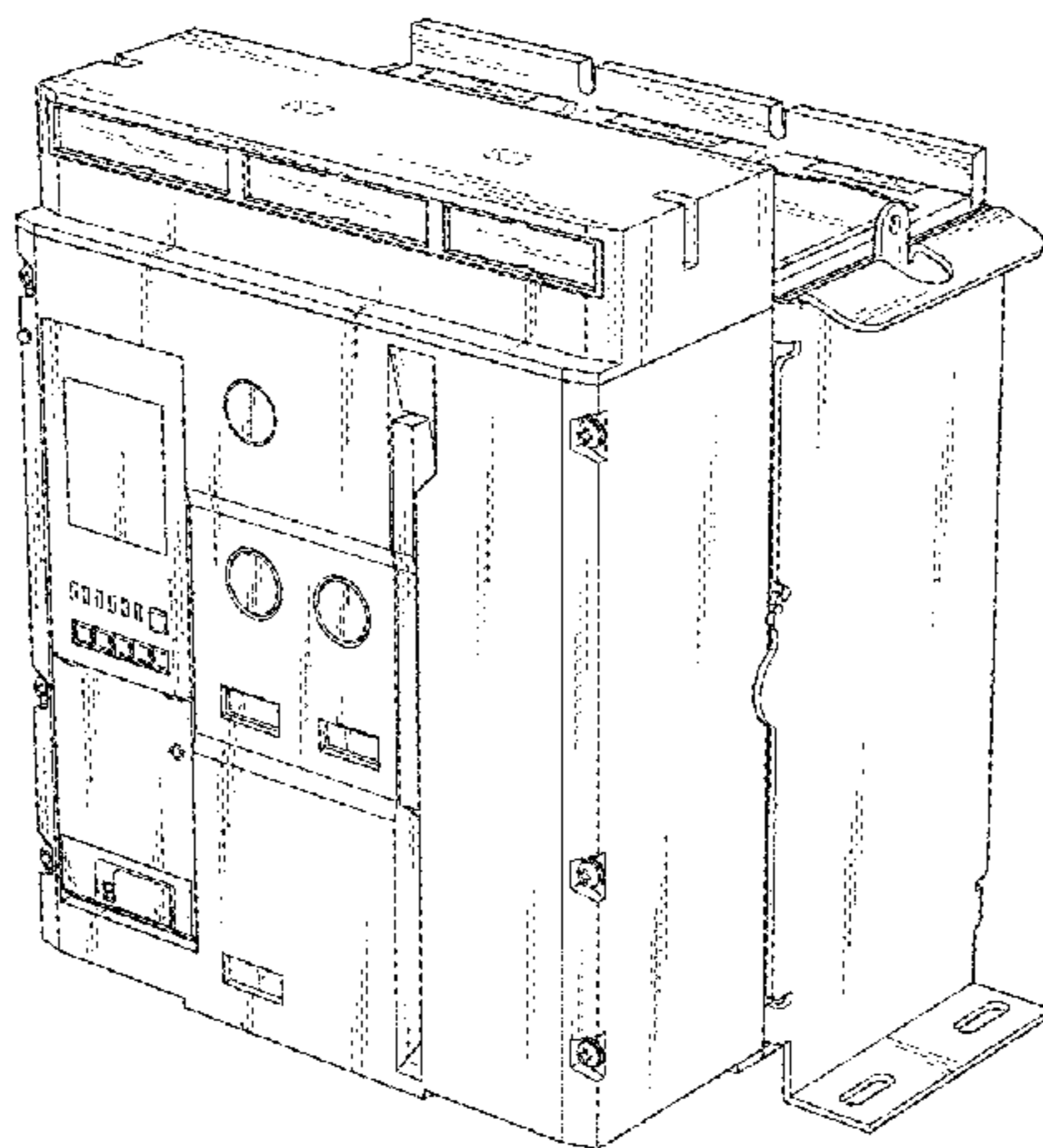
(57) **CLAIM**

The ornamental design for an air circuit breaker, as shown and described.

DESCRIPTION

FIG. 1 is a perspective view of an air circuit breaker showing the new design;
FIG. 2 is a front elevation view thereof;
FIG. 3 is a rear elevation view thereof;
FIG. 4 is a left-side elevation view thereof;
FIG. 5 is a right-side elevation view thereof;
FIG. 6 is a top plan view thereof; and,
FIG. 7 is a bottom plan view thereof.
The broken lines and the unshaded surfaces shown in the drawings illustrate portions of the air circuit breaker that form no part of the claimed design.

1 Claim, 7 Drawing Sheets



(56)

References Cited

U.S. PATENT DOCUMENTS

7,763,814 B2 * 7/2010 Kozar H02B 11/02
200/400
D781,790 S * 3/2017 Leveque D13/160
10,000,956 B2 * 6/2018 Whitaker E05D 3/022
10,090,120 B2 * 10/2018 Seo H01H 9/226
2008/0001688 A1 * 1/2008 Gottschalk H01H 71/02
335/172
2009/0014292 A1 * 1/2009 Lyu H02B 11/133
200/50.26
2009/0015357 A1 * 1/2009 Ahn H01H 71/04
335/17
2009/0257173 A1 * 10/2009 Rane H01H 71/08
361/636
2012/0325628 A1 * 12/2012 Besana H01H 9/167
200/43.14

2013/0264178 A1 * 10/2013 Fleitmann H02B 11/133
200/50.24
2017/0234047 A1 * 8/2017 Whitaker E05D 7/1066
200/293
2018/0123329 A1 * 5/2018 Seo H02B 11/04

OTHER PUBLICATIONS

Aisikai Air Circuit Breakers, dated Mar. 20, 2016, [online], [site visited May 23, 2018]. Available from Internet, <URL: <http://switchshops.com/Air-Circuit-Breaker-6-1.html>> (Year: 2016).*

OEZ Air Circuit Breakers, dated Sep. 1, 2011, [online], [site visited May 23, 2018]. Available from Internet, <URL: <http://www.oez.com/products-profile/arion-w111-air-circuit-breakers-and-switch-disconnectors>> (Year: 2011).*

* cited by examiner

FIG. 1

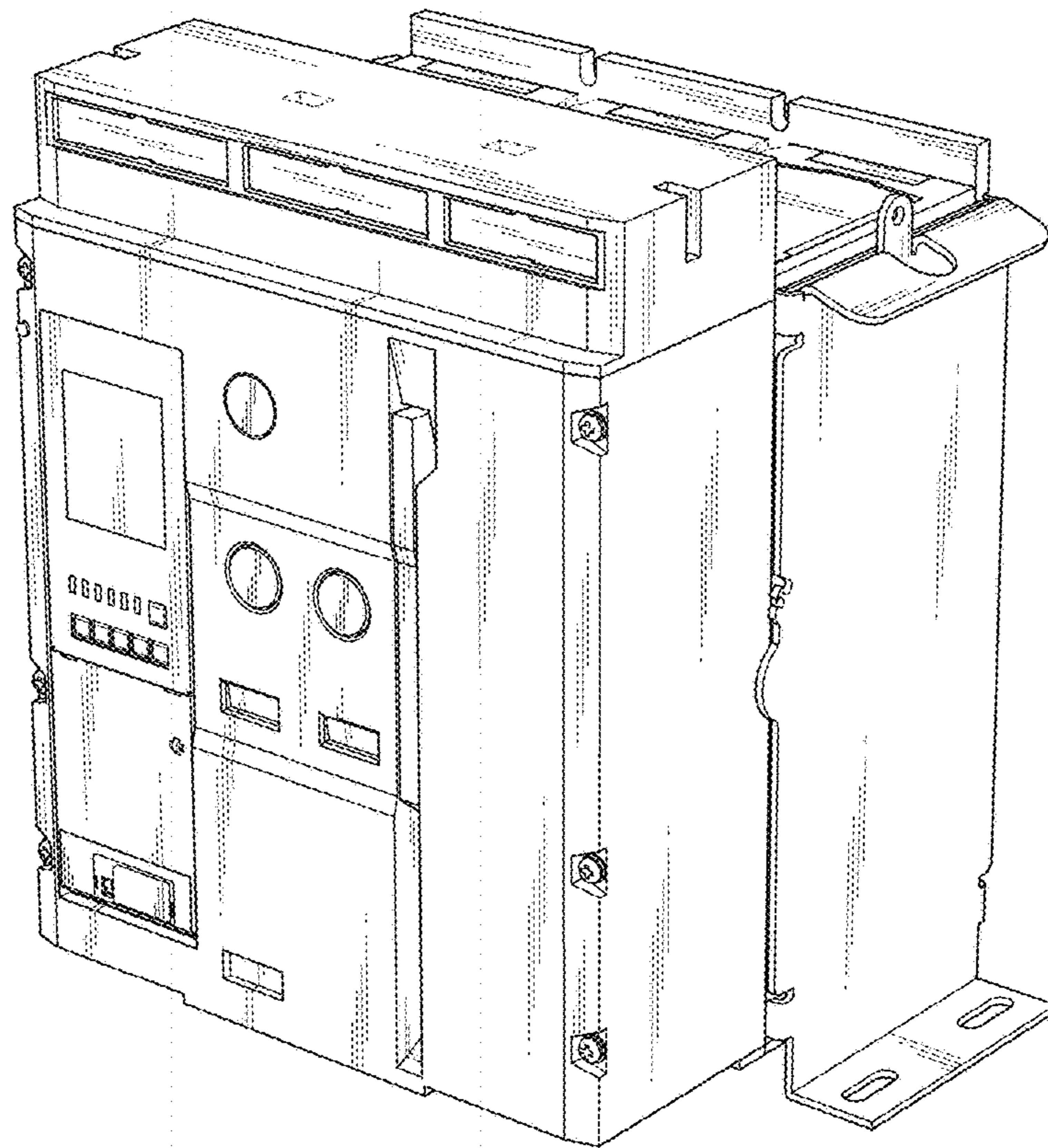


FIG. 2

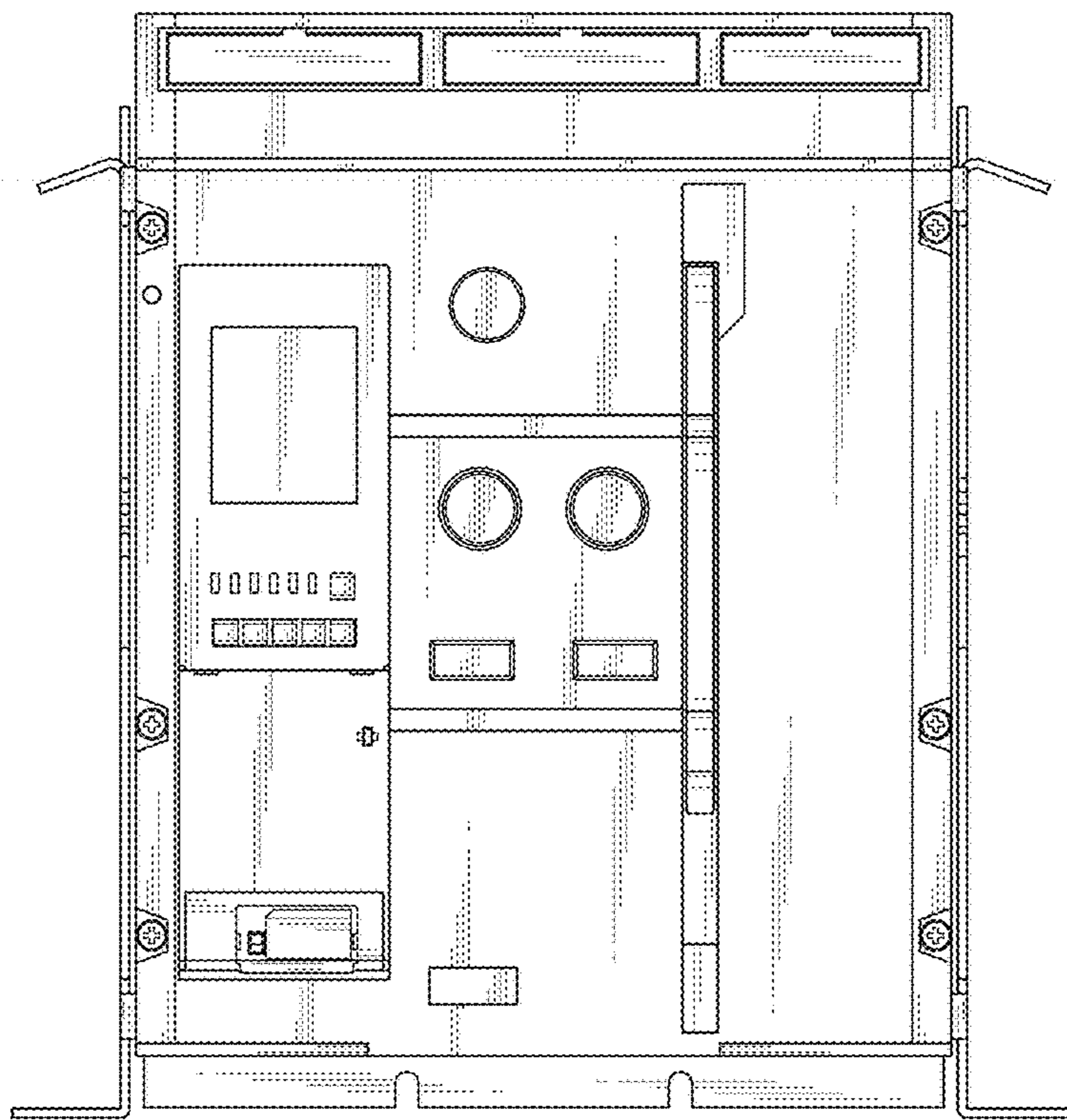


FIG. 3

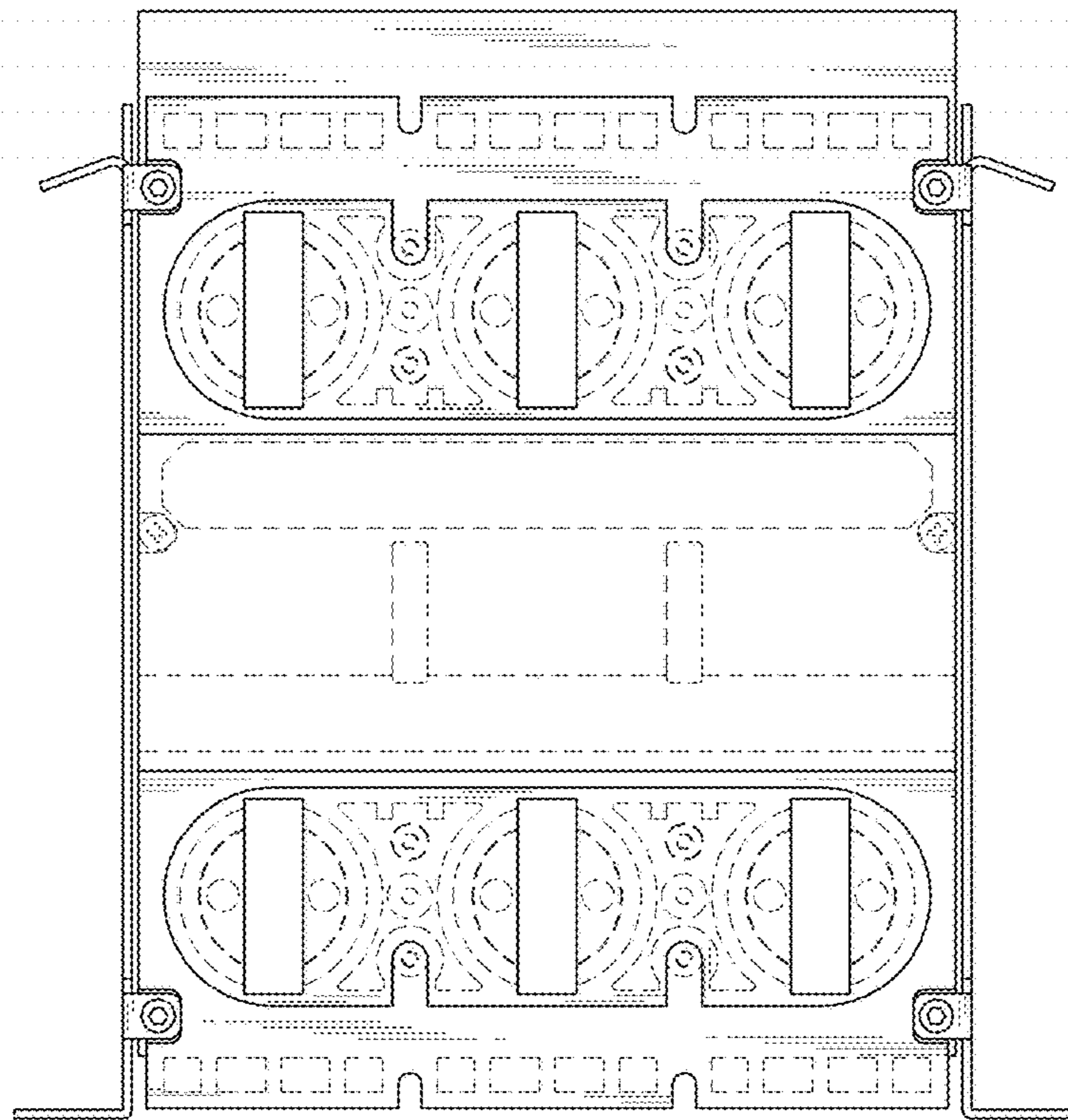


FIG. 4

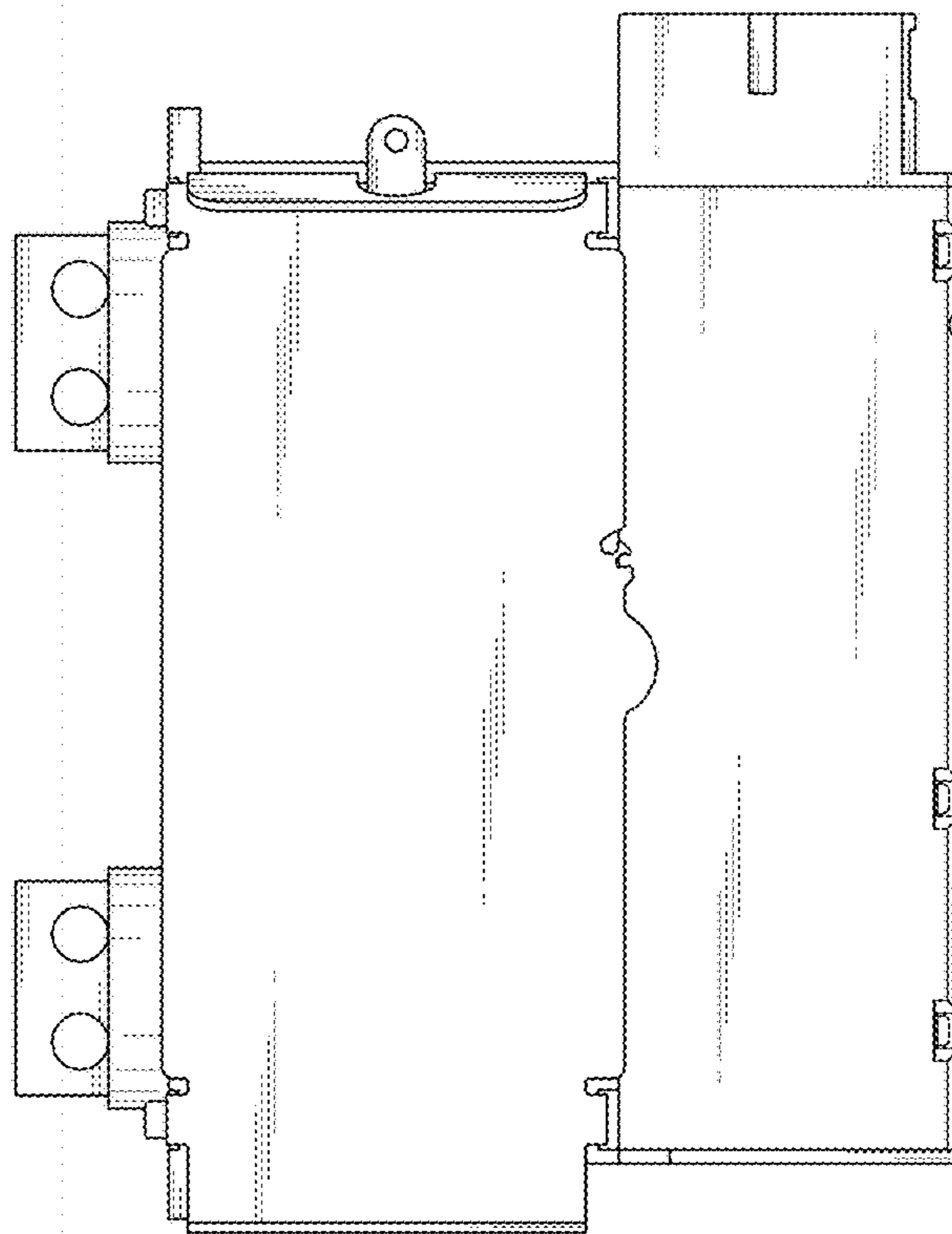


FIG. 5

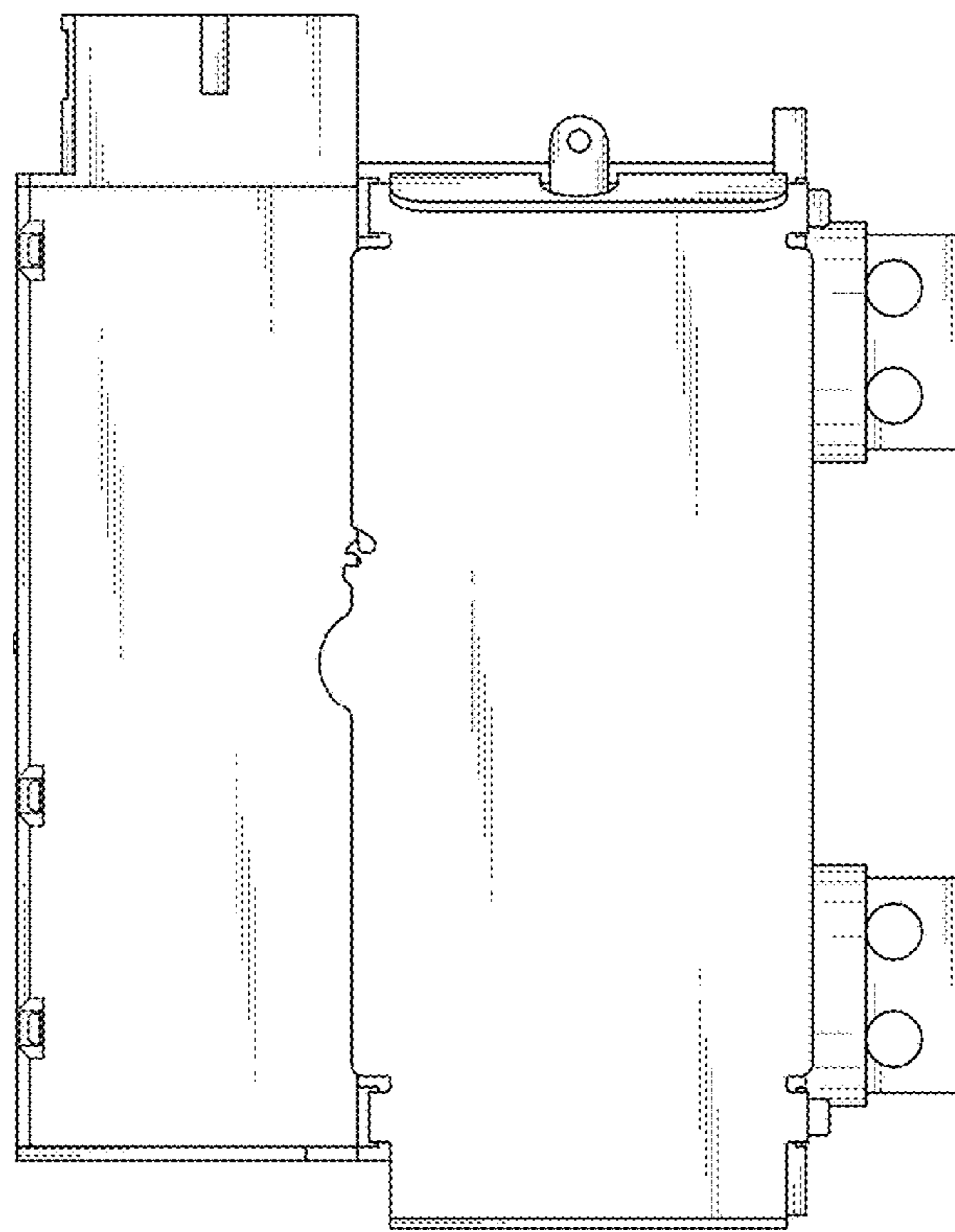


FIG. 6

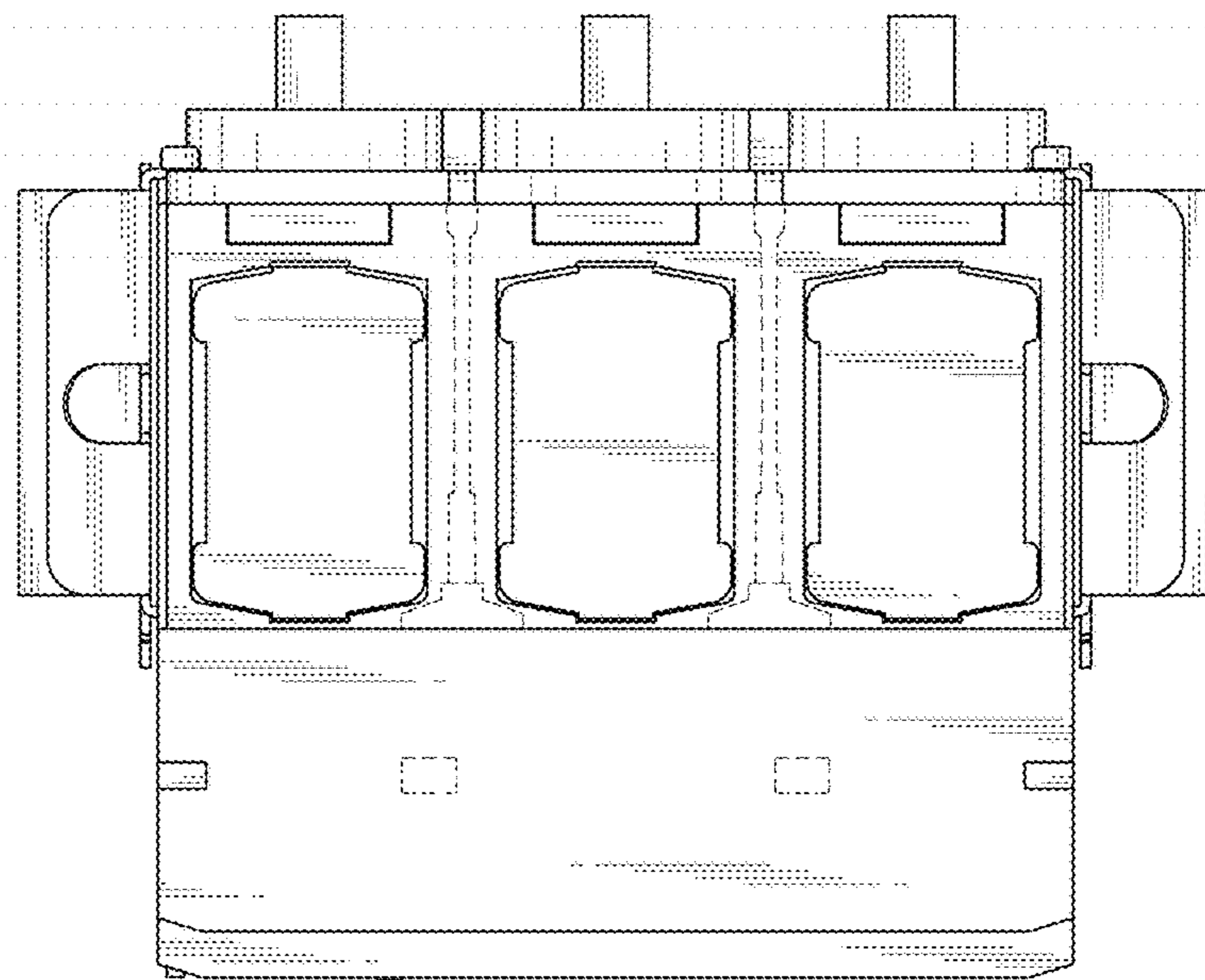


FIG. 7

