



US00D845908S

(12) **United States Design Patent**
Jokiniemi et al.

(10) **Patent No.:** **US D845,908 S**
(45) **Date of Patent:** **** Apr. 16, 2019**

(54) **ELECTRIC SWITCH**

(71) Applicant: **ABB Oy**, Helsinki (FI)

(72) Inventors: **Timo Jokiniemi**, Merikaarto (FI);
Rainer Kolmonen, Laihia (FI); **Aki Suutarinen**, Vaasa (FI); **Patrik Rabb**,
Vähäkylä (FI); **Anu-Riikka Mäki**,
Jukaja (FI); **Matti Rajala**, Vaasa (FI);
Juri Fredlund, Vaasa (FI)

(73) Assignee: **ABB OY** (FI)

(**) Term: **15 Years**

(21) Appl. No.: **29/623,818**

(22) Filed: **Oct. 27, 2017**

(30) **Foreign Application Priority Data**

Apr. 28, 2017 (EP) 003877786

(51) **LOC (11) Cl.** **13-03**

(52) **U.S. Cl.**
USPC **D13/158**

(58) **Field of Classification Search**
USPC D13/158, 160, 162
CPC H01H 9/02; H01H 9/047; H01H 9/161;
H01H 19/00; H01H 19/02; H01H 19/04;
H01H 71/56; H01H 71/58; H01H 83/00
See application file for complete search history.

(56) **References Cited**

U.S. PATENT DOCUMENTS

D571,303 S * 6/2008 Jokiniemi D13/158
8,575,504 B2 * 11/2013 Eisner H01H 9/342
200/306

D695,229 S * 12/2013 Ran D13/158
D695,230 S * 12/2013 Zhang D13/158
D737,220 S * 8/2015 Andersson D13/158
D784,933 S * 4/2017 Andersson D13/158
2010/0258413 A1 * 10/2010 Leischner H01H 19/64
200/11 R
2010/0307895 A1 * 12/2010 Park H01H 9/02
200/237

* cited by examiner

Primary Examiner — Selina Sikder

(74) *Attorney, Agent, or Firm* — Taft, Stettinius &
Hollister; J. Bruce Schelkopf

(57) **CLAIM**

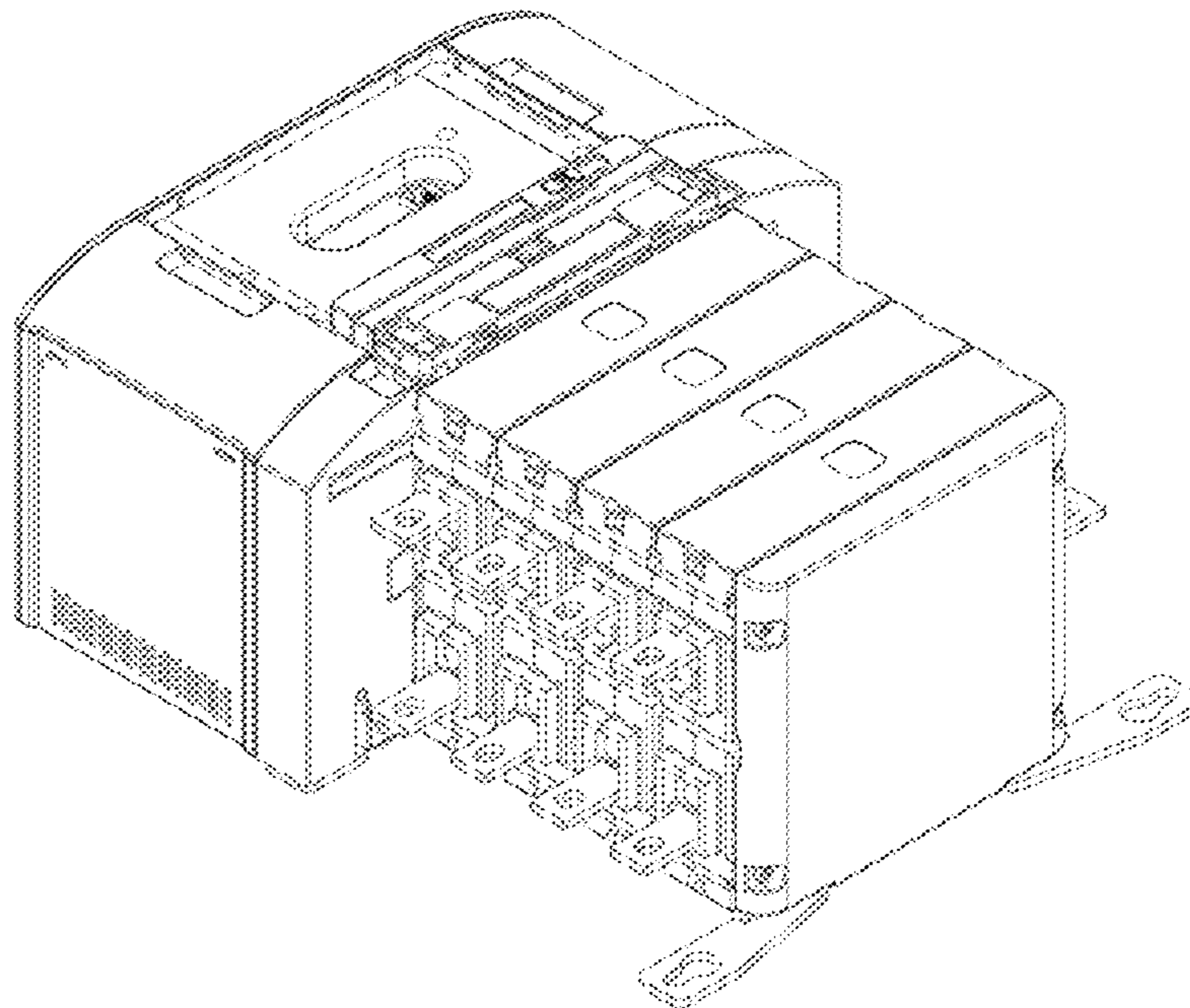
The ornamental design for an electric switch, as shown and described.

DESCRIPTION

FIG. 1 is a perspective side view of an electric switch.
FIG. 2 is a front side view of the electric switch shown in FIG. 1.
FIG. 3 is a rear side view of the electric switch shown in FIG. 1.
FIG. 4 is a right side view of the electric switch shown in FIG. 1.
FIG. 5 is a left side view of the electric switch shown in FIG. 1.
FIG. 6 is a top side view of the electric switch shown in FIG. 1; and,
FIG. 7 is a bottom side view of the electric switch shown in FIG. 1.

In the drawings, the broken lines depict portions of the switch which form no part of the claim.

1 Claim, 7 Drawing Sheets



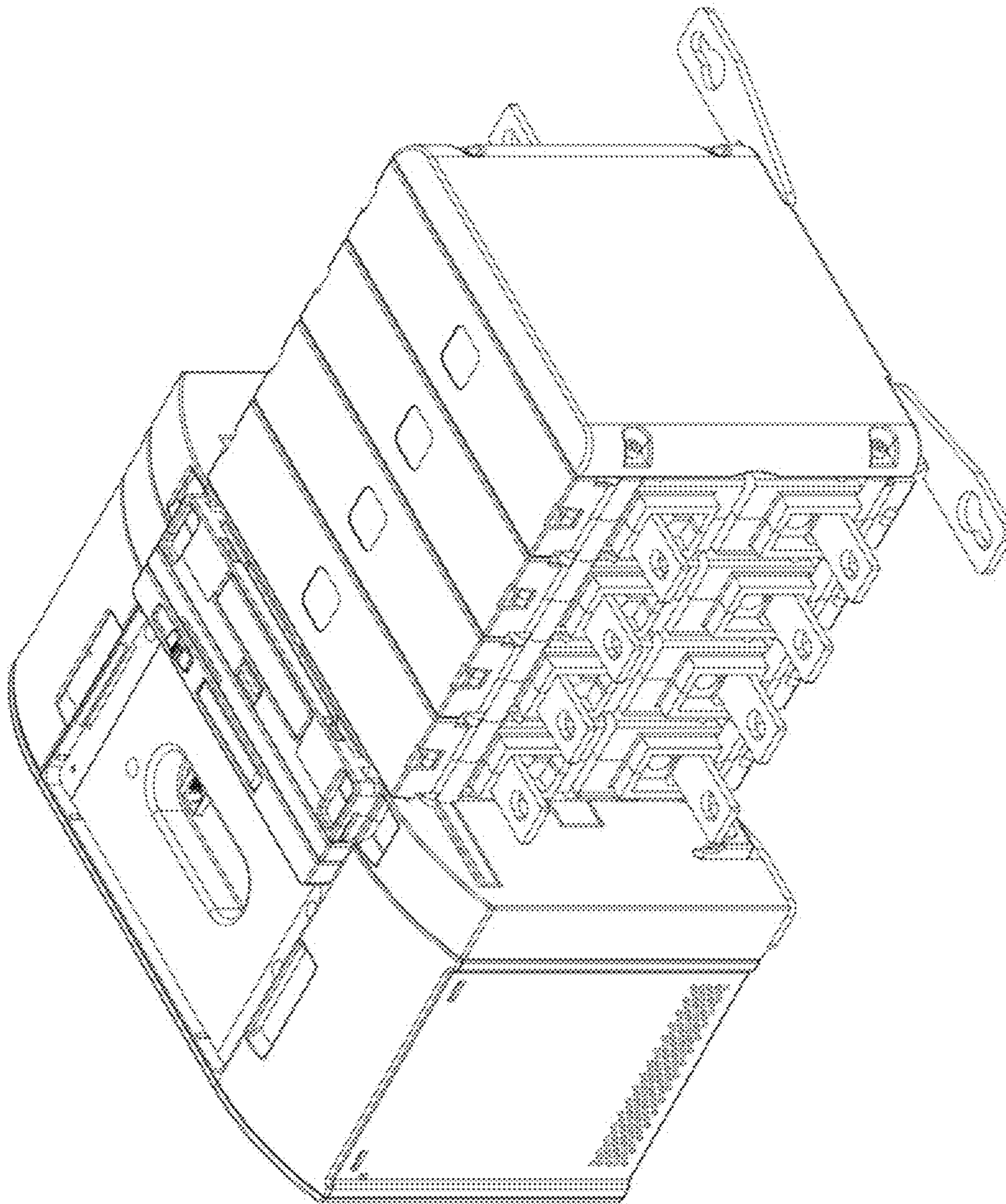


FIGURE 1

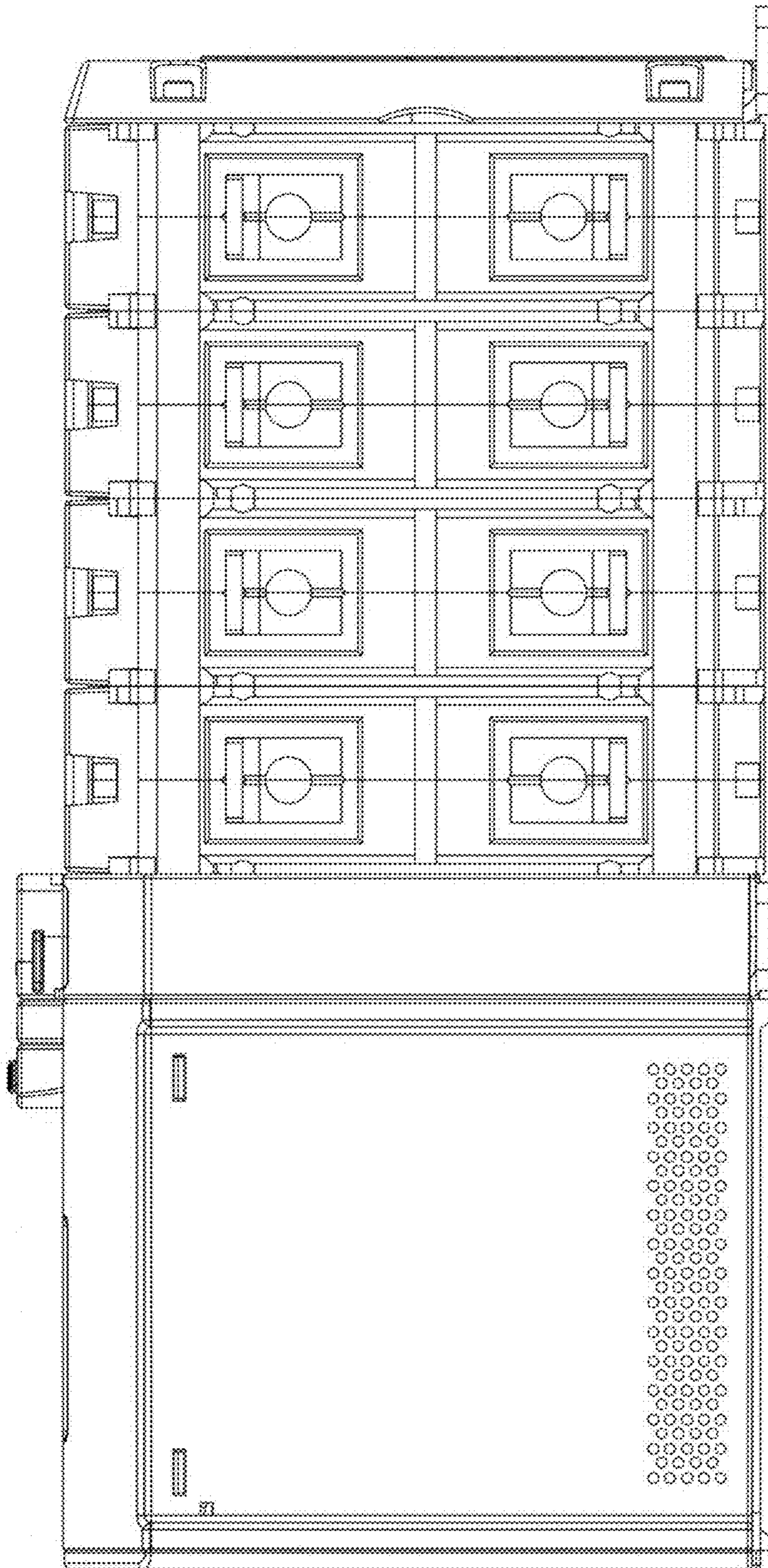


FIGURE 2

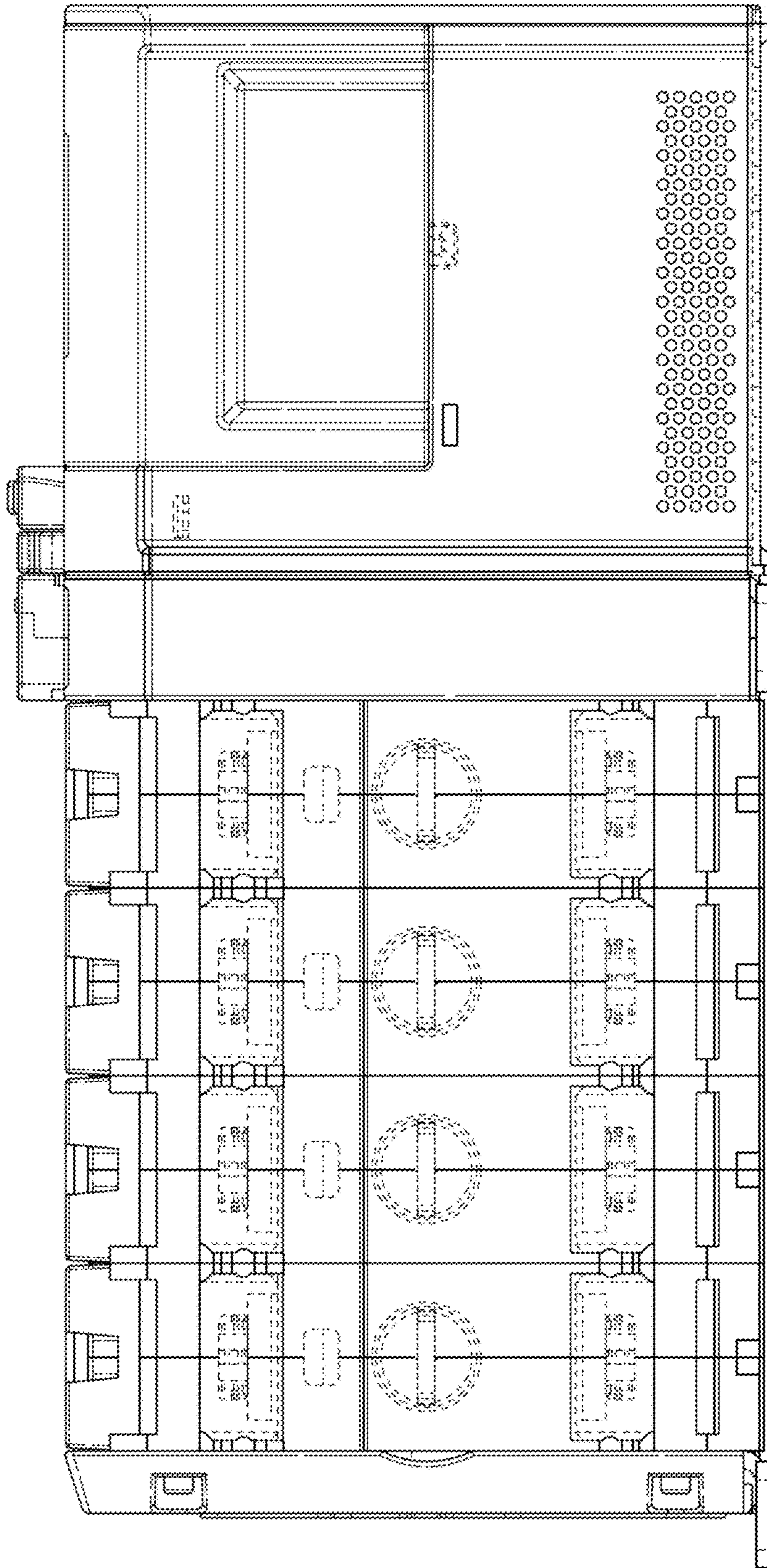


FIGURE 3

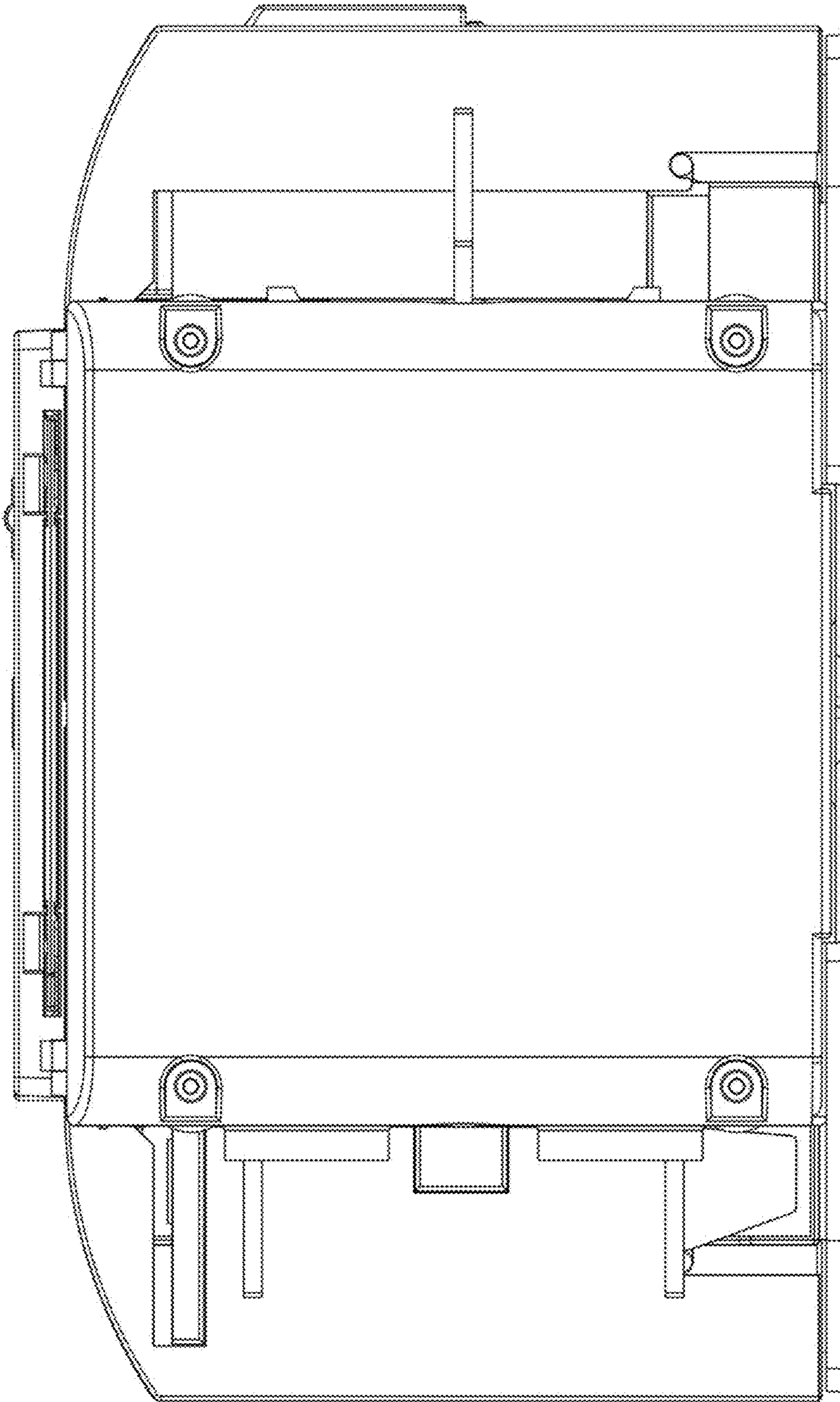


FIGURE 4

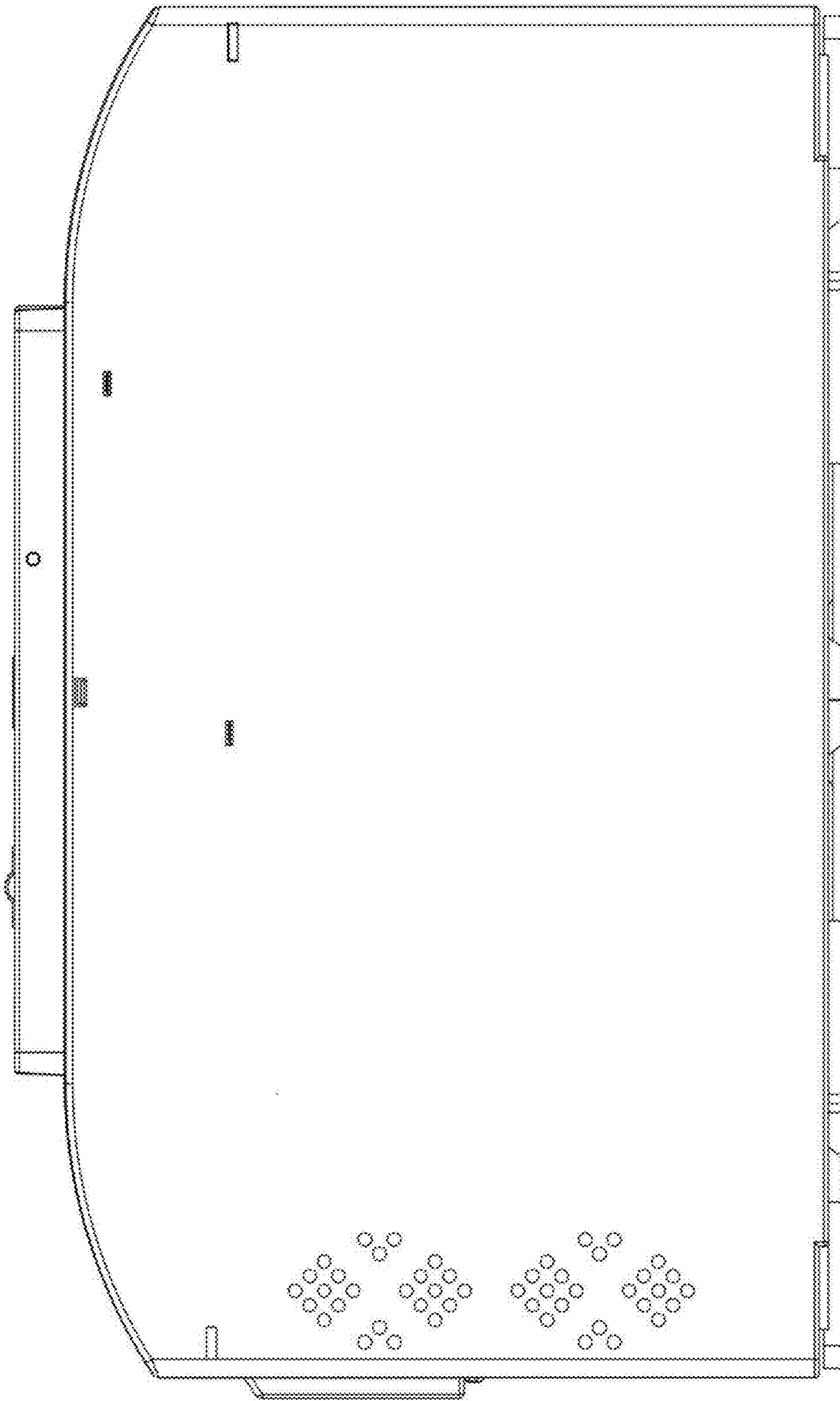


FIGURE 5

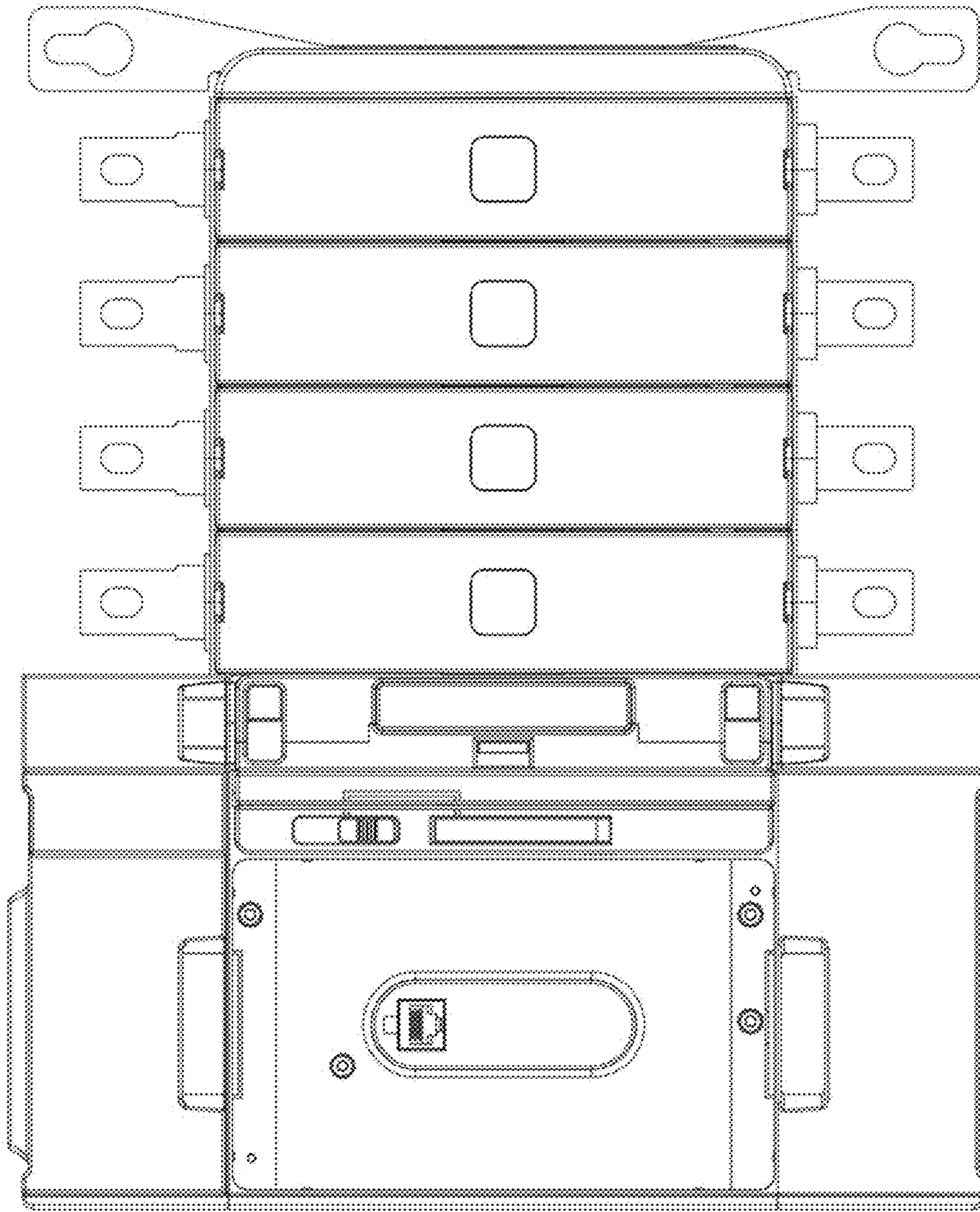


FIGURE 6

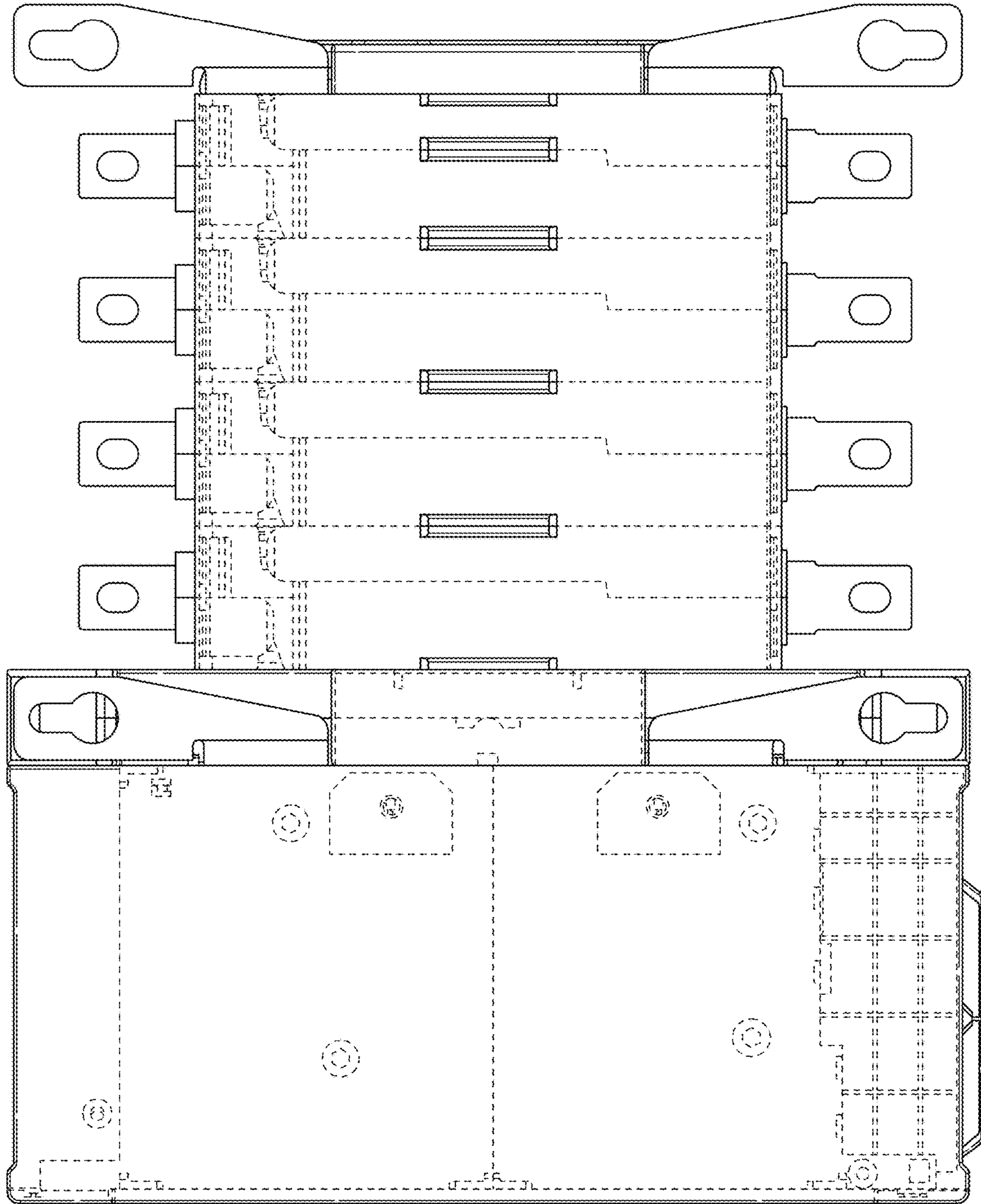


FIGURE 7

UNITED STATES PATENT AND TRADEMARK OFFICE
CERTIFICATE OF CORRECTION

PATENT NO. : D845,908 S
APPLICATION NO. : 29/623818
DATED : April 16, 2019
INVENTOR(S) : Timo Jokiniemi et al.

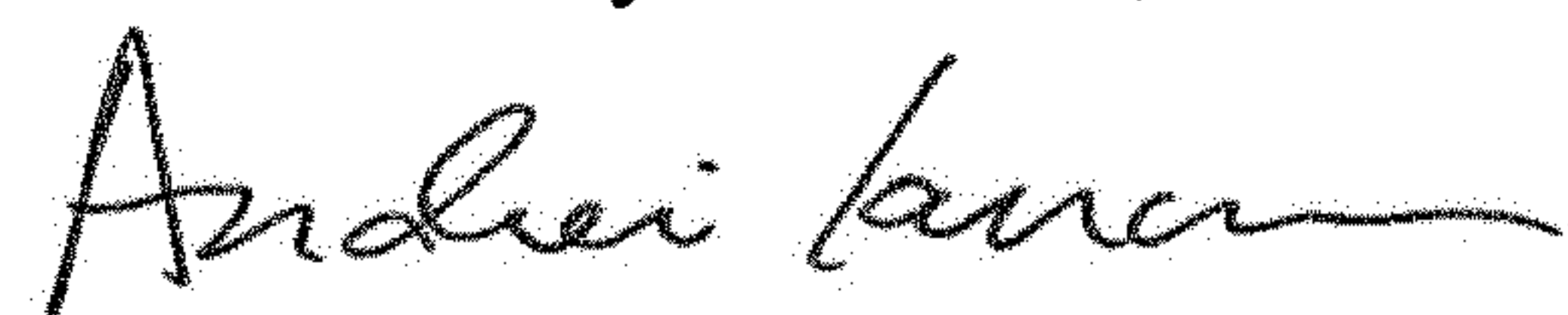
Page 1 of 1

It is certified that error appears in the above-identified patent and that said Letters Patent is hereby corrected as shown below:

On the Title Page

Item (30) Foreign Application Priority Data, Apr. 28, 2017 (EP) 003877786 to be replaced with Apr. 28, 2017 (EM) 003877786.

Signed and Sealed this
Third Day of March, 2020



Andrei Iancu
Director of the United States Patent and Trademark Office