



US00D845907S

(12) **United States Design Patent** (10) **Patent No.:** **US D845,907 S**
Suzuki (45) **Date of Patent:** **** Apr. 16, 2019**

(54) **ELECTRICAL CONTACT**
(71) Applicant: **Ebara Corporation**, Tokyo (JP)
(72) Inventor: **Kiyoshi Suzuki**, Tokyo (JP)
(73) Assignee: **EBARA CORPORATION**, Tokyo (JP)
(**) Term: **15 Years**
(21) Appl. No.: **29/622,773**

D742,329 S * 11/2015 Fujikata D13/154
D758,973 S * 6/2016 Fujikata D13/154
D797,674 S * 9/2017 Miyamoto D13/133
D825,485 S * 8/2018 Wright D13/154
D825,629 S * 8/2018 Miyamoto D15/138
2006/0180347 A1* 8/2006 Van Haaster H05K 9/0016
174/350
2008/0011510 A1* 1/2008 Tang H05K 9/0016
174/350
2008/0047745 A1* 2/2008 Smeltz H05K 9/0016
174/355
2008/0060842 A1* 3/2008 Barringer H01R 13/6584
174/354

(22) Filed: **Oct. 19, 2017**
(51) **LOC (11) Cl.** **13-03**
(52) **U.S. Cl.**
USPC **D13/154**
(58) **Field of Classification Search**
USPC D13/118, 120, 123, 133, 146, 147, 148,
D13/154, 184, 199
CPC ... H01R 4/16; H01R 4/18; H01R 4/20; H01R
43/02; H01R 43/048; H01R 9/24; H01R
9/048; H01R 13/05; H01R 13/11; H01R
13/245; H01R 13/2464; H01R 13/26;
H01R 13/432; H01R 13/506; H01R
13/52; H01R 13/533; H01R 13/627;
H01R 13/629
See application file for complete search history.

FOREIGN PATENT DOCUMENTS

CN 303930979 S 11/2016
JP D1533511 S 9/2015
JP D1533730 S 9/2015
JP D1533731 S 9/2015
JP D1567630 S 1/2017

* cited by examiner

Primary Examiner — Daniel D Bui
(74) *Attorney, Agent, or Firm* — Pearne & Gordon LLP

(57) **CLAIM**

The ornamental design for an electrical contact, as shown and described.

(56) **References Cited**

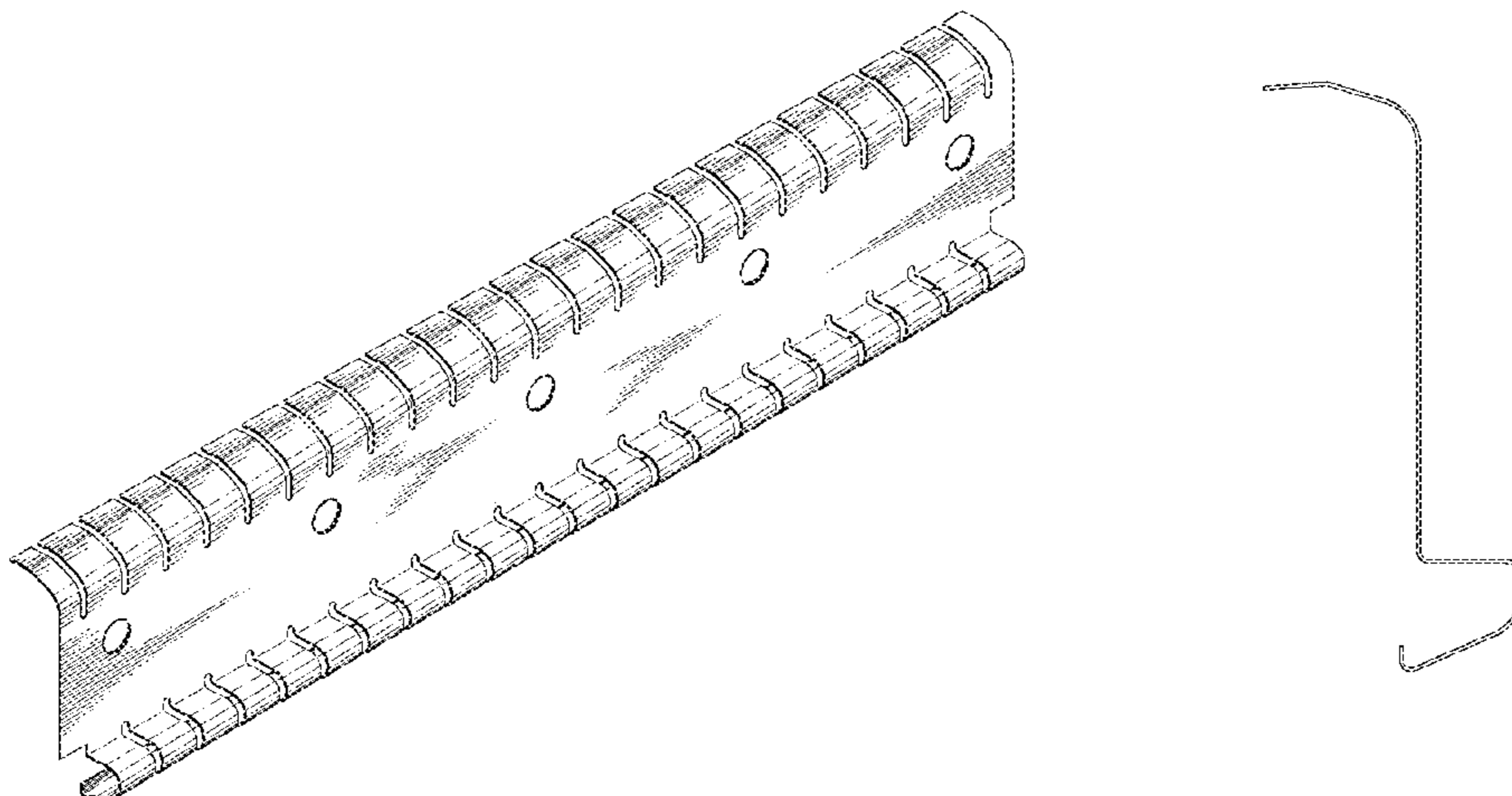
U.S. PATENT DOCUMENTS

7,078,614 B1* 7/2006 Van Haaster H05K 9/0016
174/355
D555,595 S * 11/2007 Yahagi D13/148
D556,692 S * 12/2007 Yahagi D13/148
D651,178 S * 12/2011 Fujikata D13/148
D669,439 S * 10/2012 Fujikata D13/148
D706,224 S * 6/2014 Kimura D13/154
D717,736 S * 11/2014 Kimura D13/154
D719,101 S * 12/2014 Kimura D13/154
8,933,346 B1* 1/2015 Kramer H05K 9/0016
174/354
D725,600 S * 3/2015 Fujikata D13/154

DESCRIPTION

FIG. 1 is a front perspective view of an electrical contact showing my new design;
FIG. 2 is a rear perspective view thereof;
FIG. 3 is a front elevation view thereof;
FIG. 4 is a rear elevation view thereof;
FIG. 5 is a top plan view thereof;
FIG. 6 is a bottom plan view thereof;
FIG. 7 is a right-side elevation view thereof, a left-side elevation view being a mirror image thereof; and,
FIG. 8 is an enlarged right-side elevation view thereof.

1 Claim, 5 Drawing Sheets



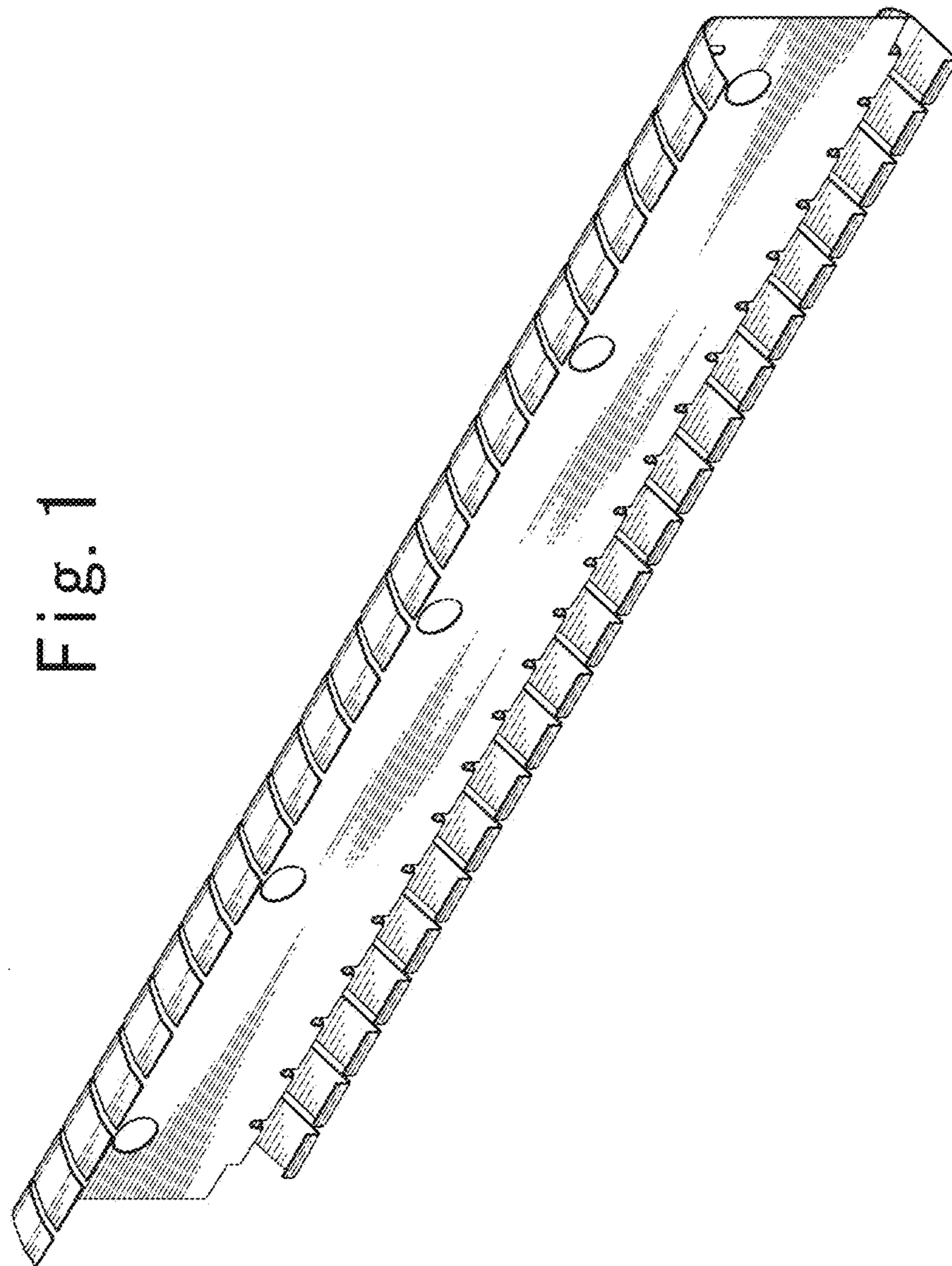


Fig. 1

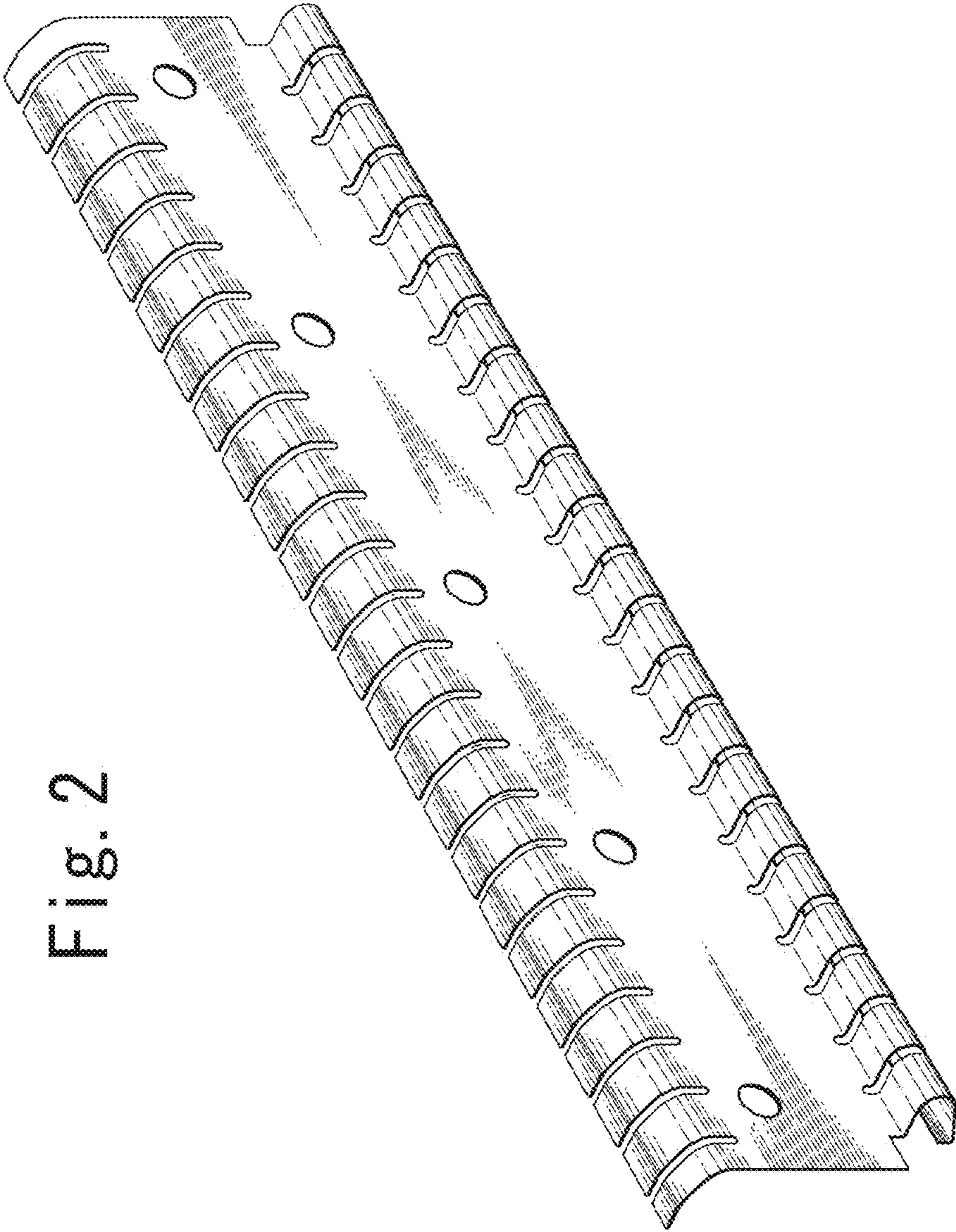


Fig. 2

Fig. 3

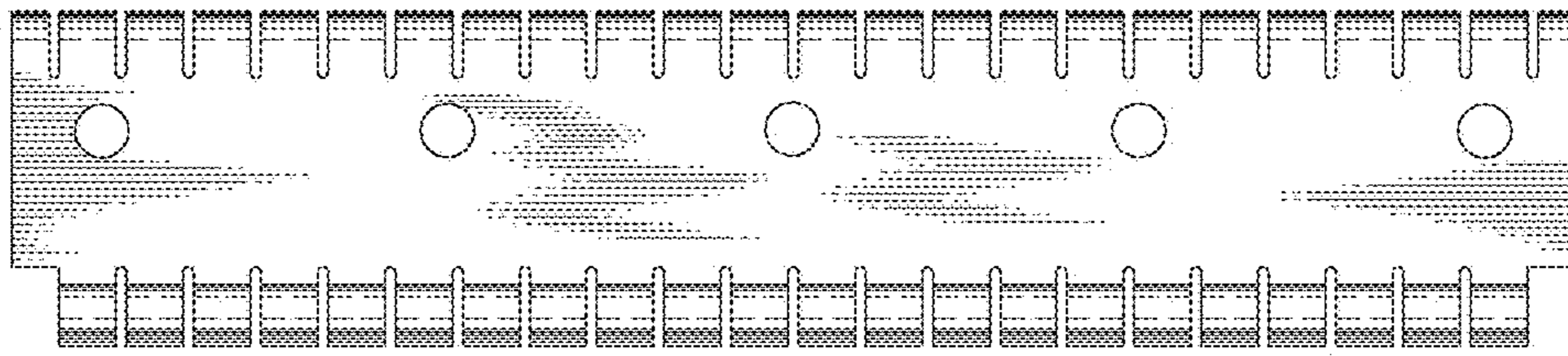


Fig. 4

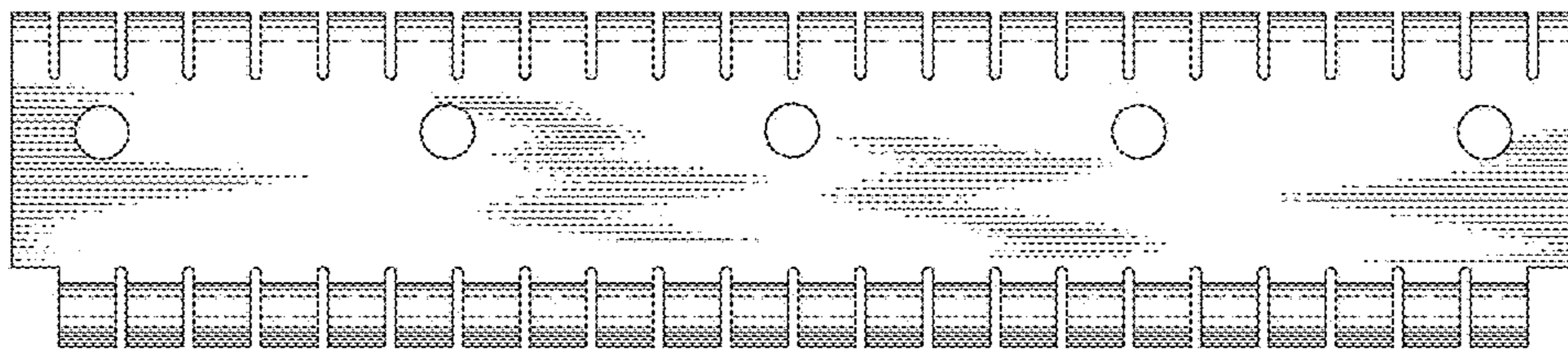


Fig. 5

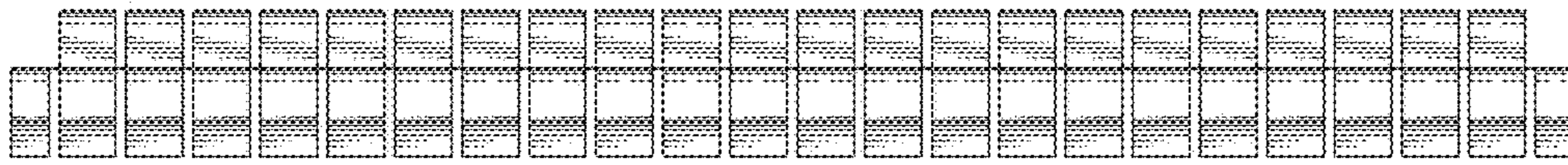


Fig. 6

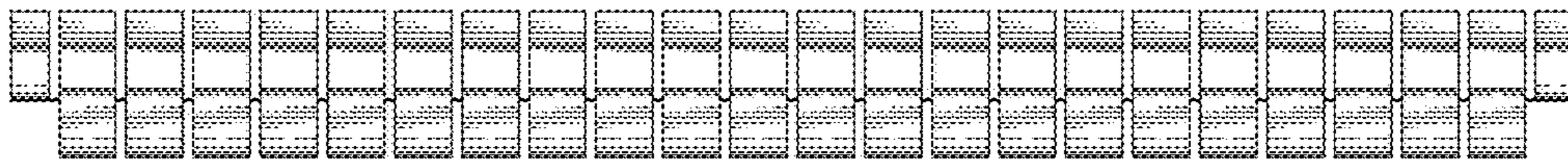


Fig. 7



Fig. 8

