



US00D845906S

(12) **United States Design Patent**
Marten et al.

(10) **Patent No.:** **US D845,906 S**

(45) **Date of Patent:** **** Apr. 16, 2019**

(54) **ELECTRICAL SHUNT**

(71) Applicant: **Sendyne Corporation**, New York, NY (US)

(72) Inventors: **Victor Marten**, Flushing, NY (US);
Damian Glinojceki, Staten Island, NY (US)

(73) Assignee: **Sendyne Corporation**, New York, NY (US)

(**) Term: **15 Years**

(21) Appl. No.: **29/596,641**

(22) Filed: **Mar. 9, 2017**

(51) **LOC (11) Cl.** **13-03**

(52) **U.S. Cl.**
USPC **D13/147**

(58) **Field of Classification Search**
USPC D13/133, 146, 147, 154, 158, 182, 184,
D13/199
CPC H01R 29/00; H01R 31/08; H01R 43/00;
H01C 7/00; F16C 33/76
See application file for complete search history.

(56) **References Cited**

U.S. PATENT DOCUMENTS

D354,274 S *	1/1995	Siegel	D13/182
D409,151 S *	5/1999	Berger	D13/158
D674,760 S *	1/2013	Mochizuki	D13/182
D721,048 S *	1/2015	Nakamura	D13/182
D775,093 S *	12/2016	Vinciarelli	D13/182
D834,548 S *	11/2018	Vinciarelli	D13/182

* cited by examiner

Primary Examiner — Daniel D Bui

(74) *Attorney, Agent, or Firm* — Oppedahl Patent Law Firm LLC

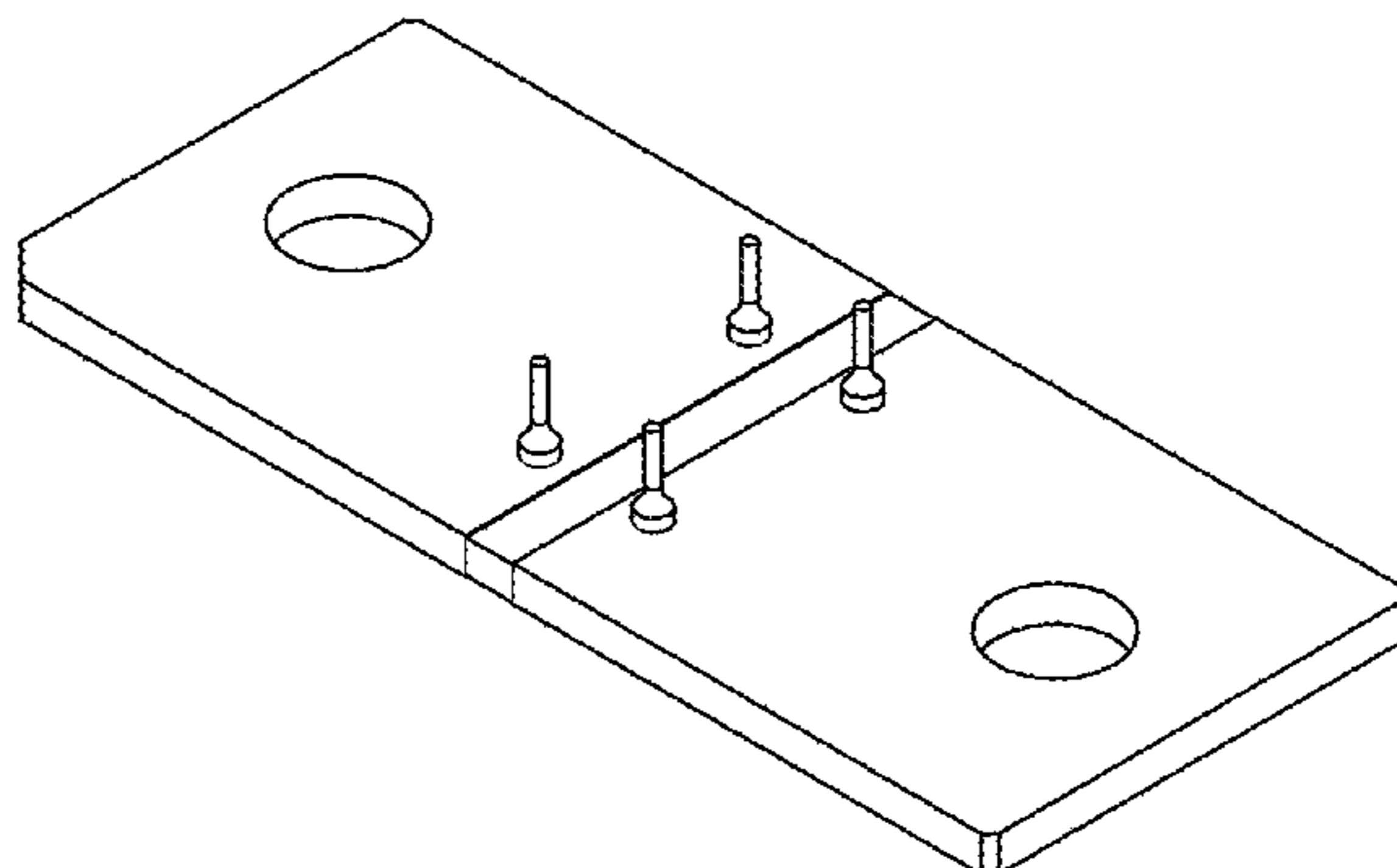
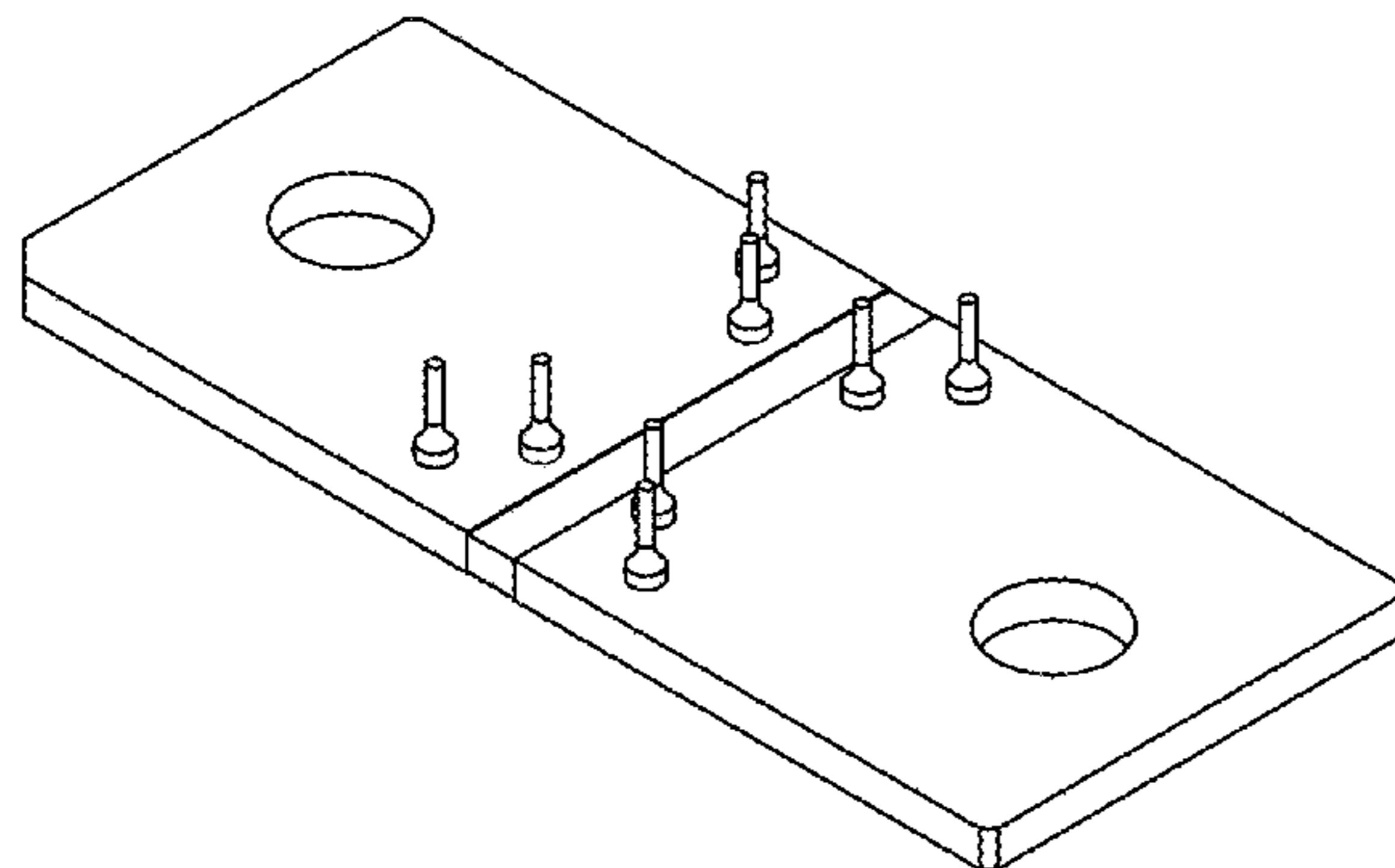
(57) **CLAIM**

The ornamental design for an electrical shunt, as shown and described.

DESCRIPTION

FIG. 1 is a front elevation view of a first embodiment of an electrical shunt showing our new design; FIG. 2 is a back elevation view thereof; FIG. 3 is a left side elevation view thereof; FIG. 4 is a right side elevation view thereof; FIG. 5 is a bottom plan view thereof; FIG. 6 is a top plan view thereof; FIG. 7 is a top perspective view thereof; FIG. 8 is a front view of a second embodiment of an electrical shunt showing our new design; FIG. 9 is a back elevation view thereof; FIG. 10 is a left side elevation view thereof; FIG. 11 is a right side elevation view thereof; FIG. 12 is a bottom plan view thereof; FIG. 13 is a top plan view thereof; FIG. 14 is a top perspective view thereof; FIG. 15 is a front view of a third embodiment of an electrical shunt showing our new design; FIG. 16 is a back elevation view thereof; FIG. 17 is a left side elevation view thereof; FIG. 18 is a right side elevation view thereof; FIG. 19 is a bottom plan view thereof; FIG. 20 is a top plan view thereof; and, FIG. 21 is a top perspective view thereof.

1 Claim, 21 Drawing Sheets



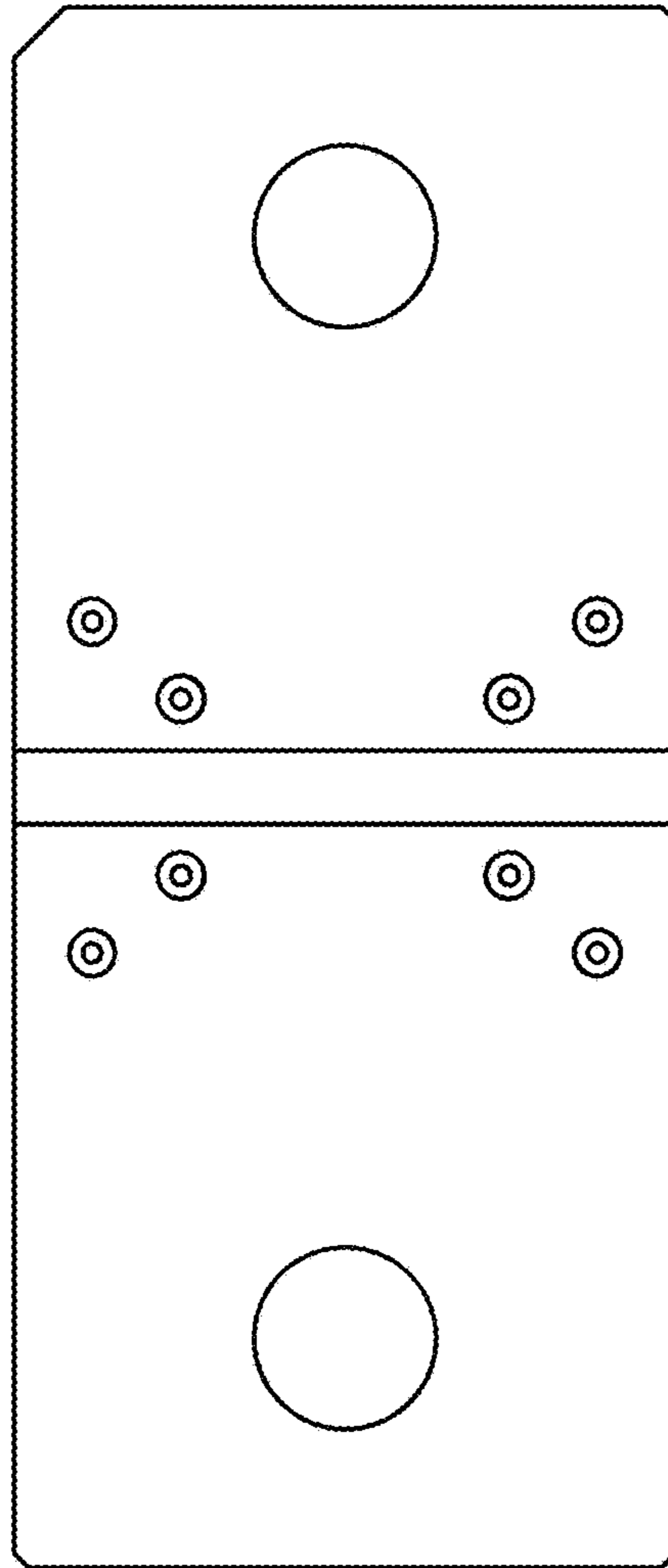


Fig. 1

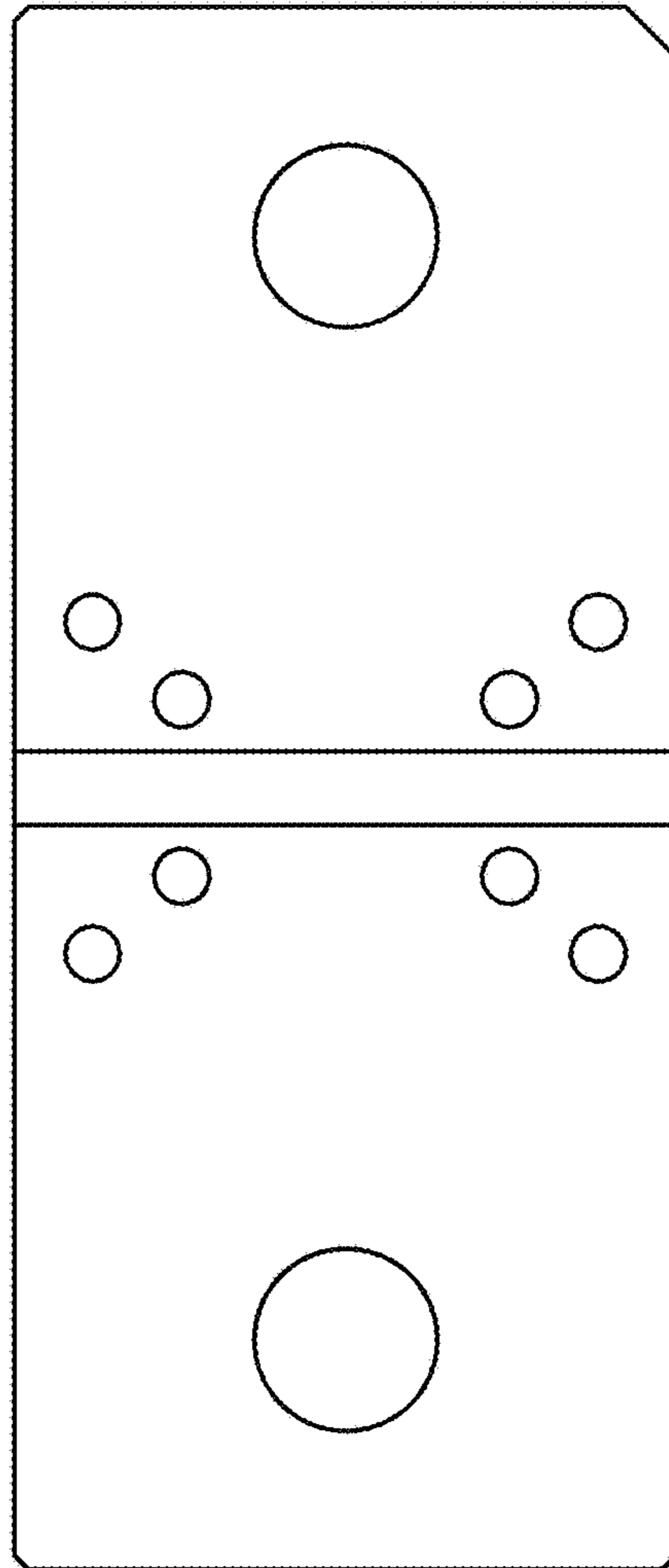


Fig. 2

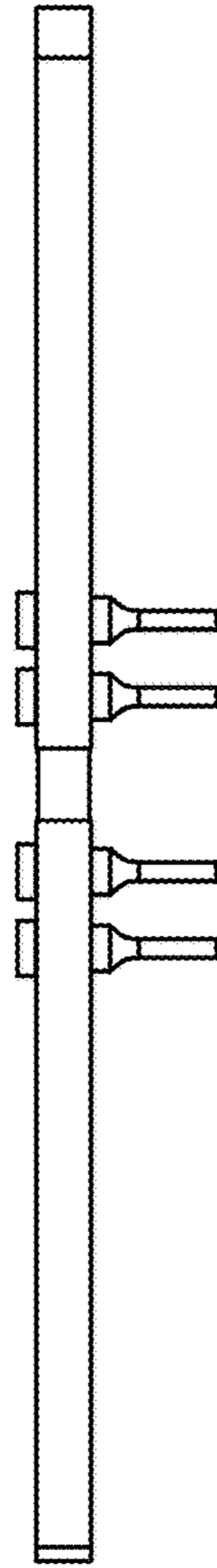


Fig. 3

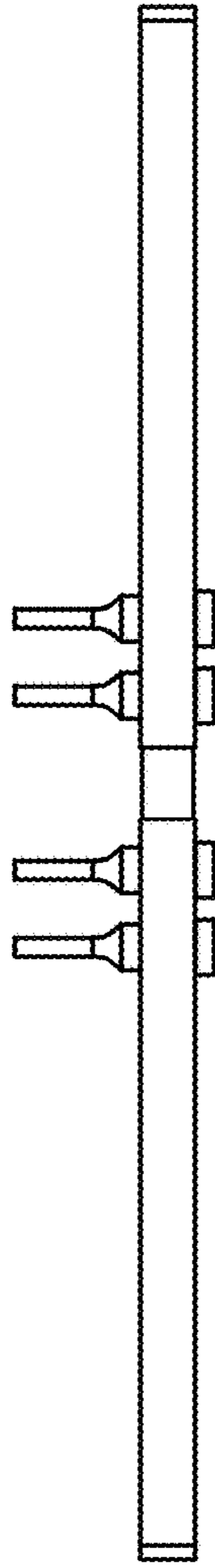


Fig. 4

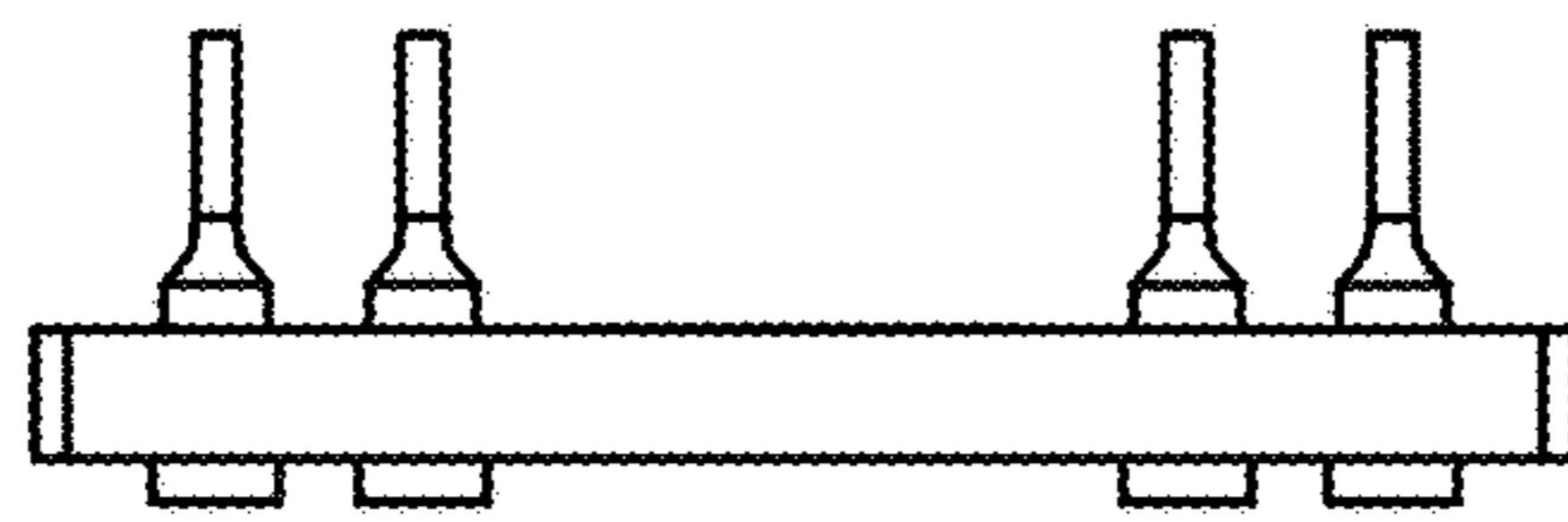


Fig. 5

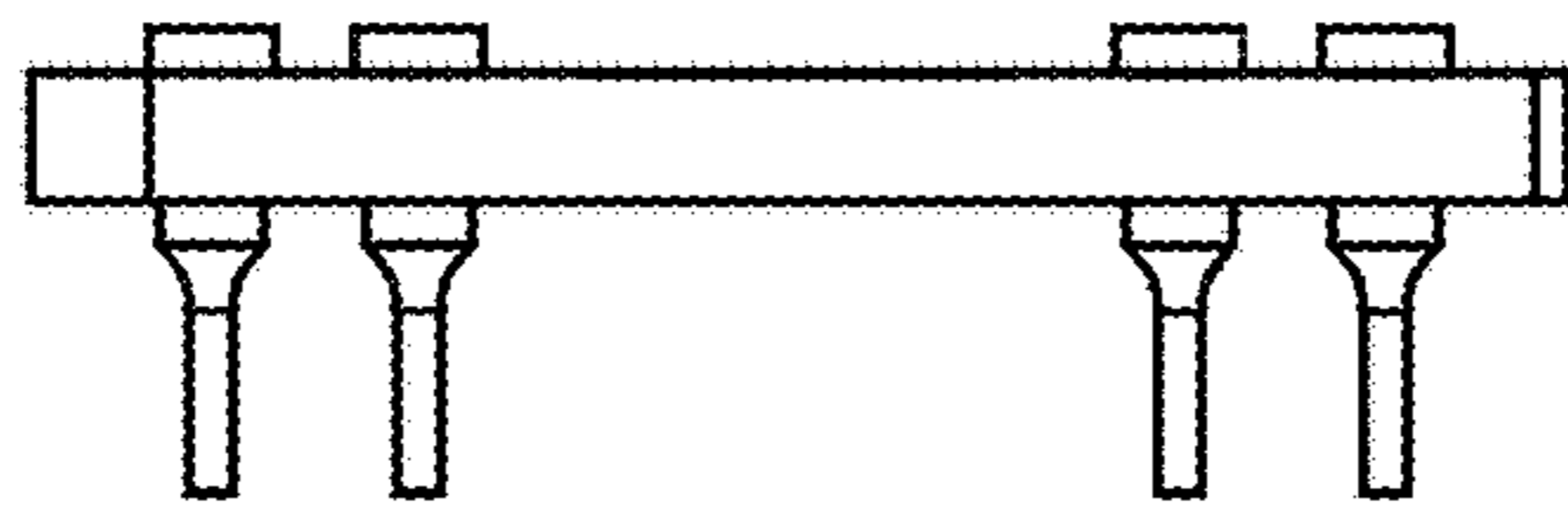


Fig. 6

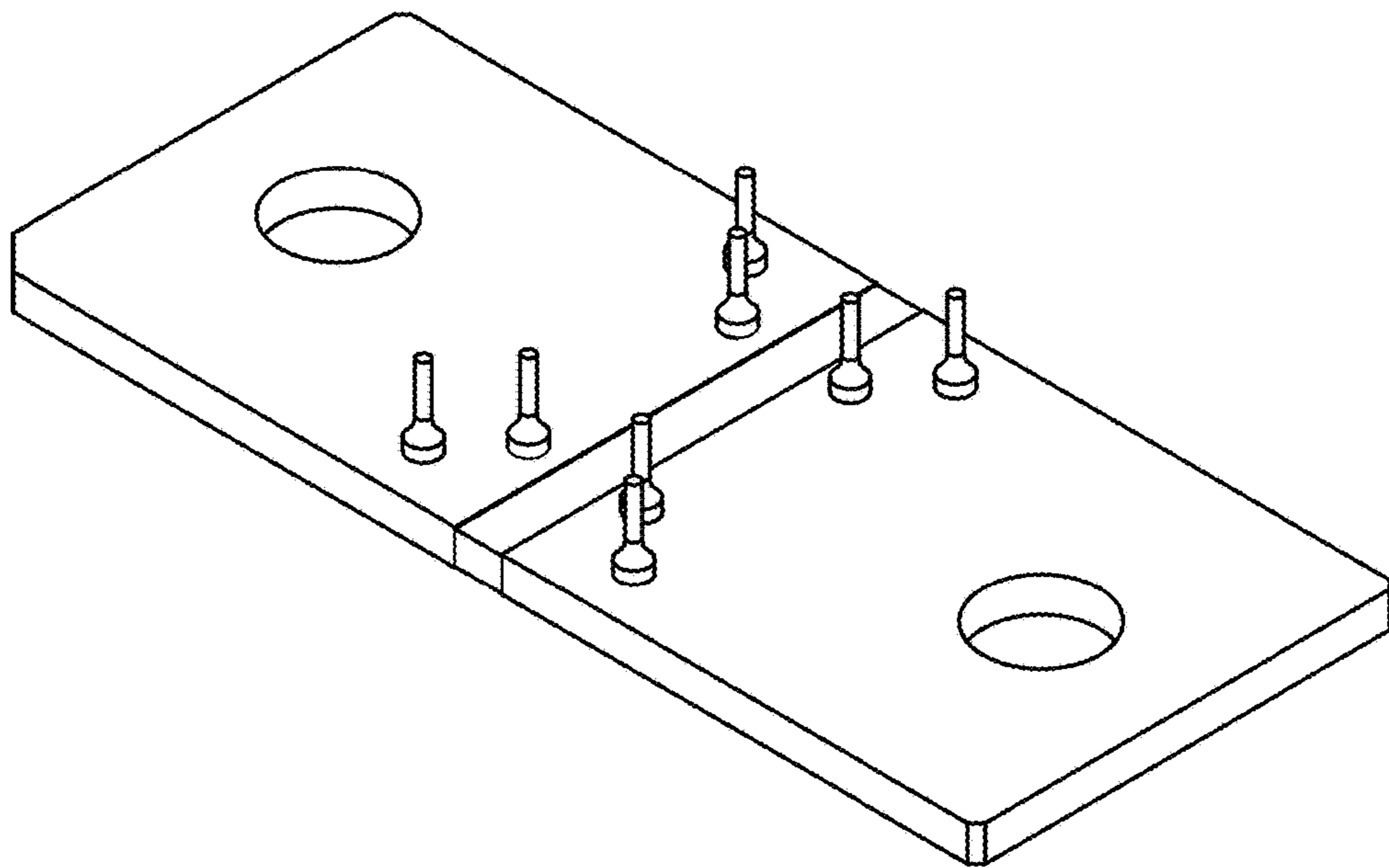


Fig. 7

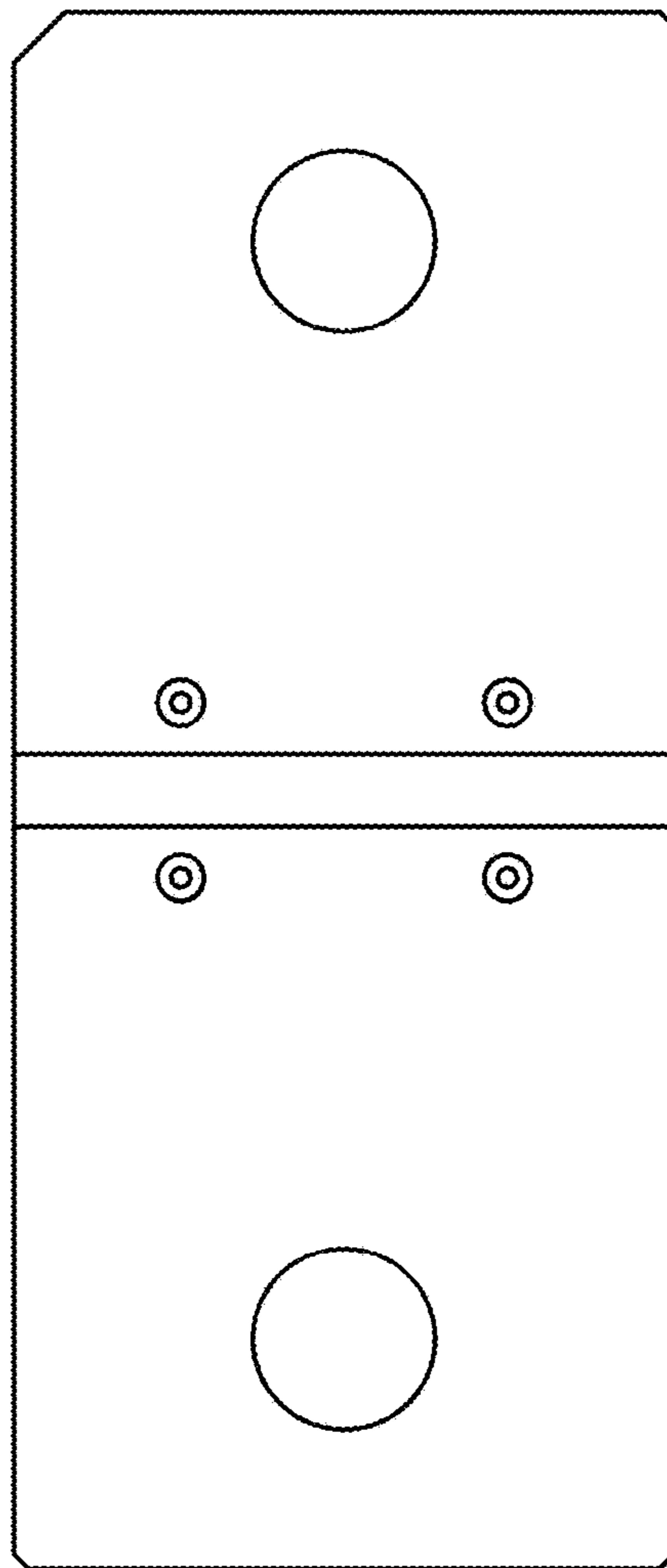


Fig. 8

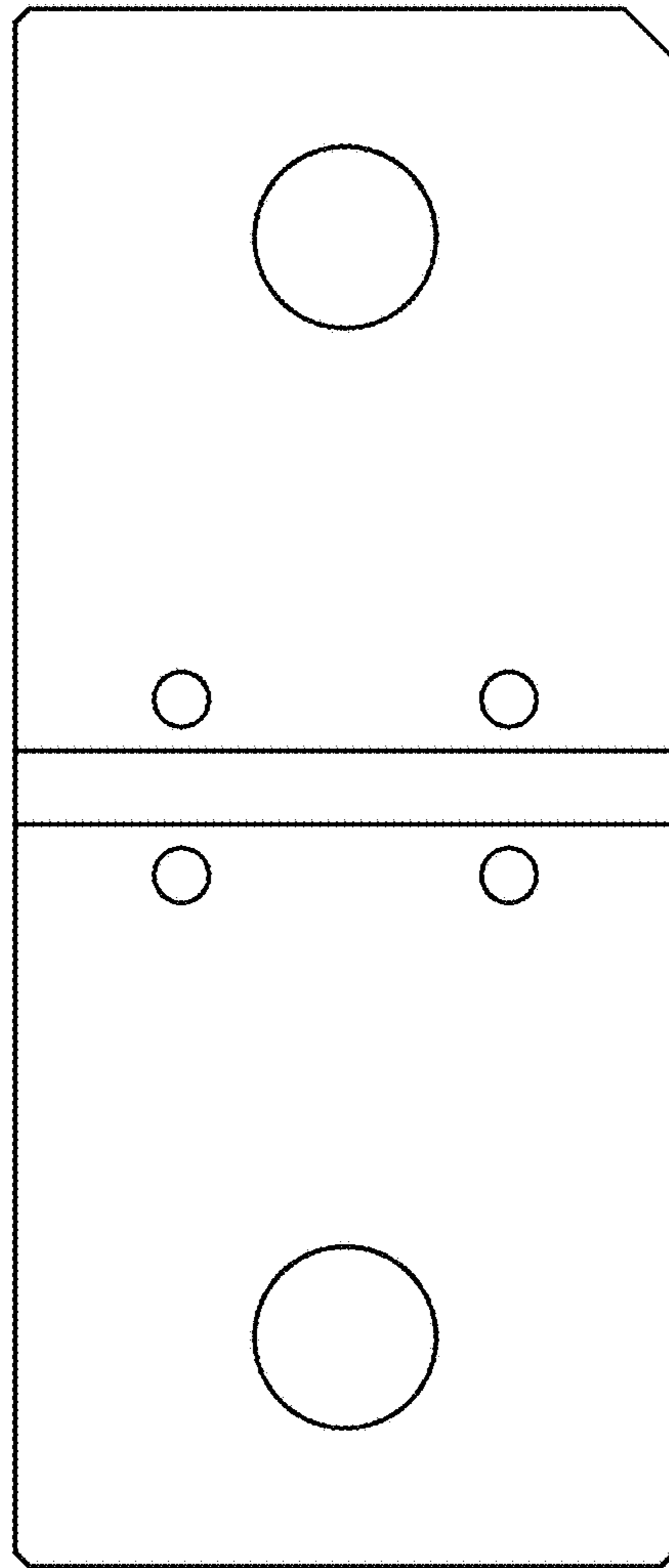


Fig. 9

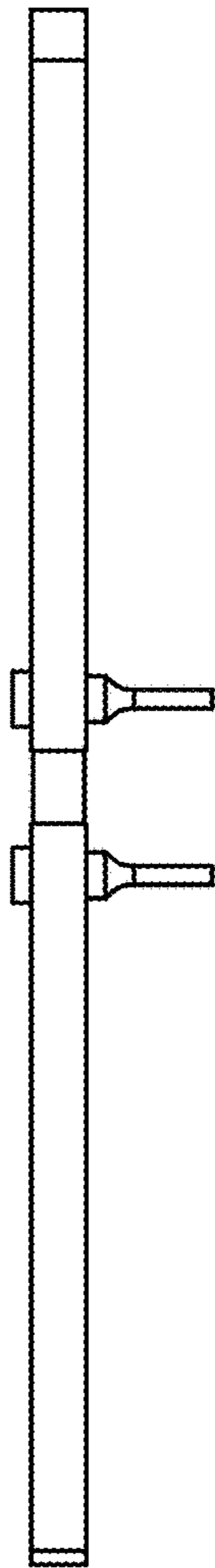


Fig. 10

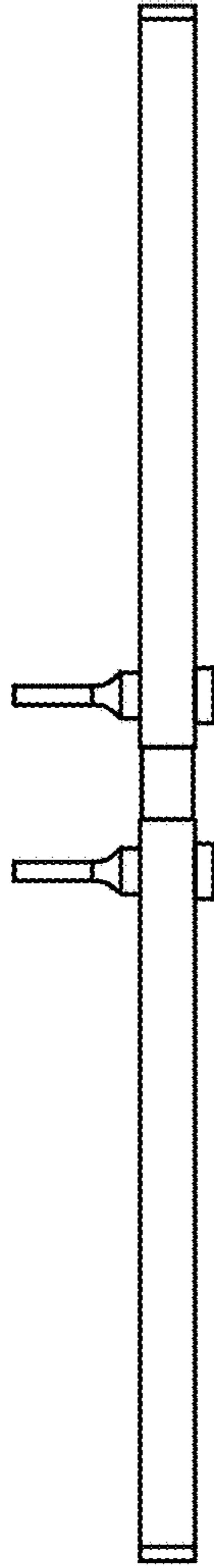


Fig. 11

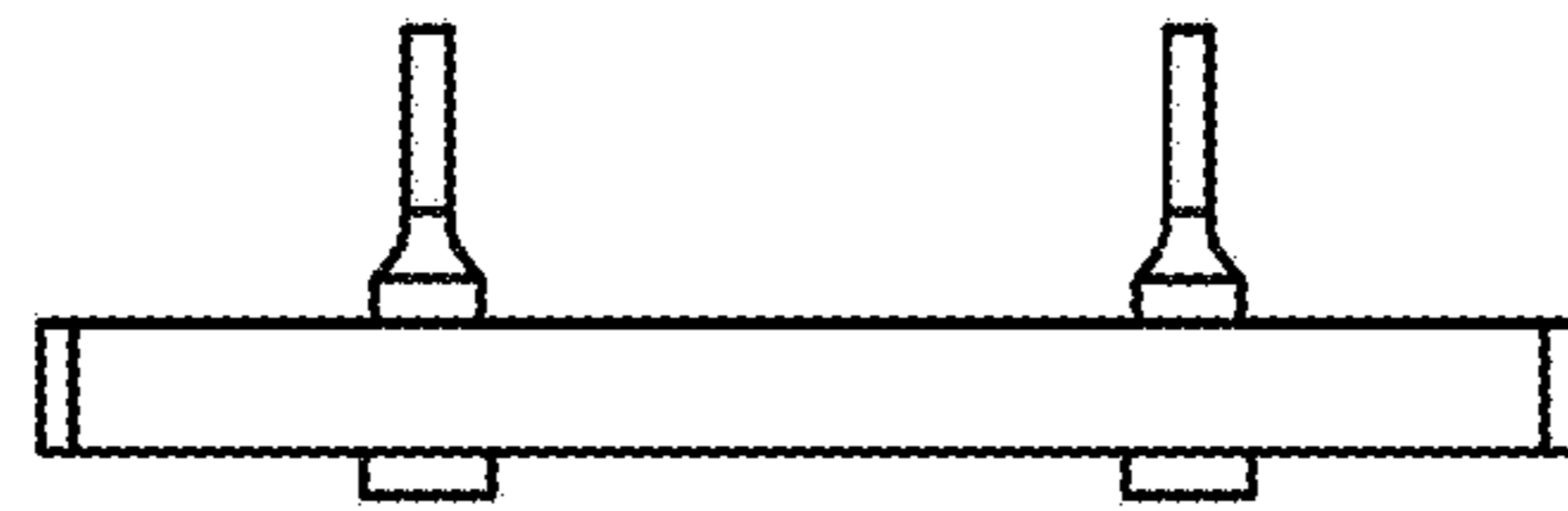


Fig. 12

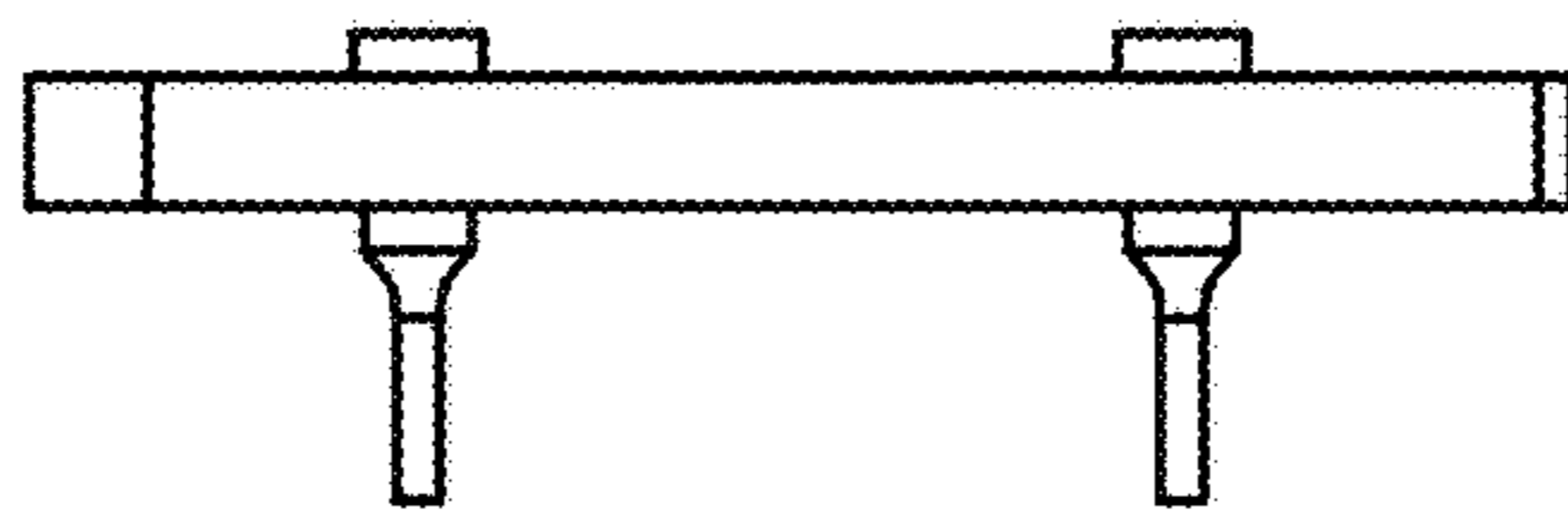


Fig. 13

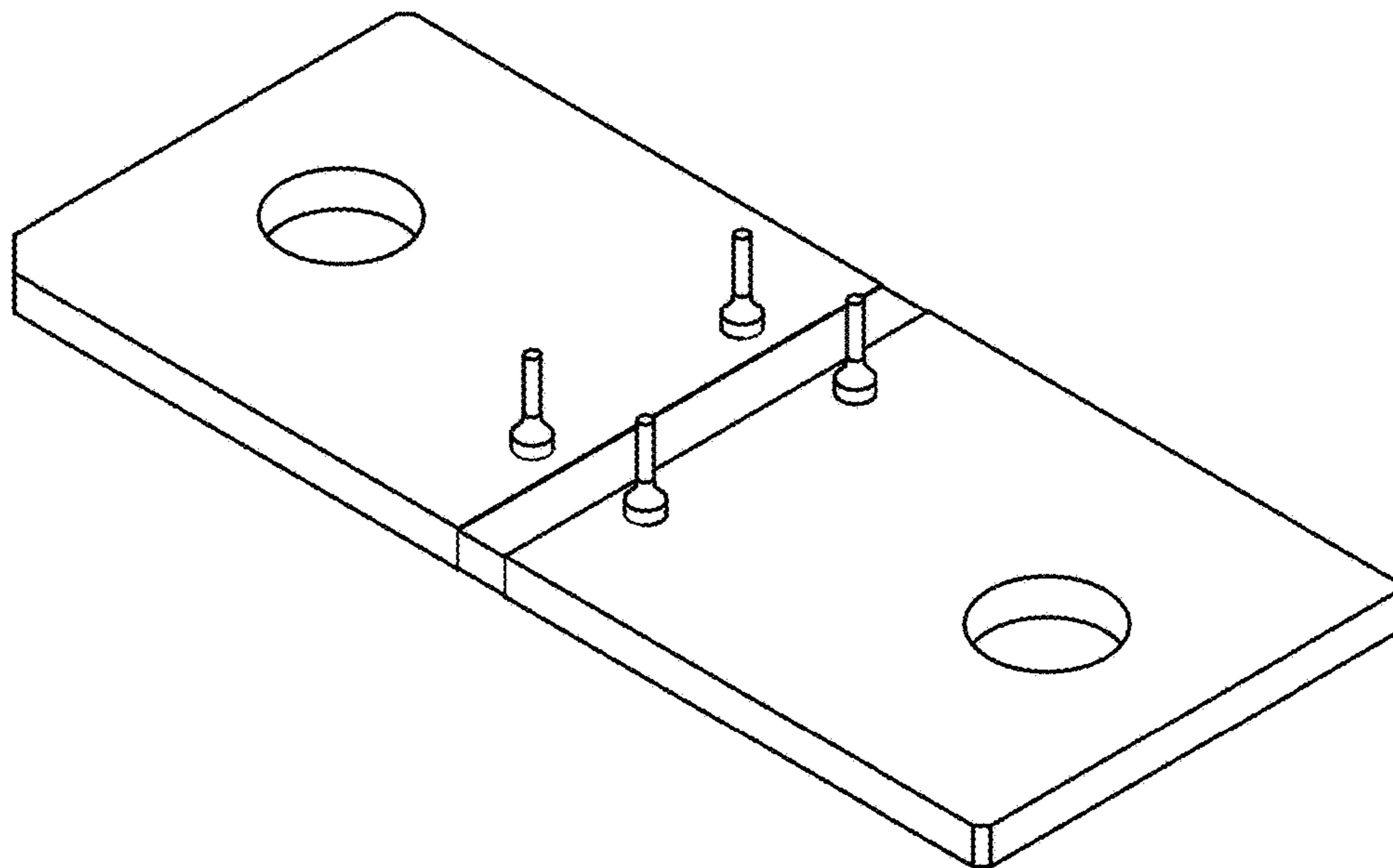


Fig. 14

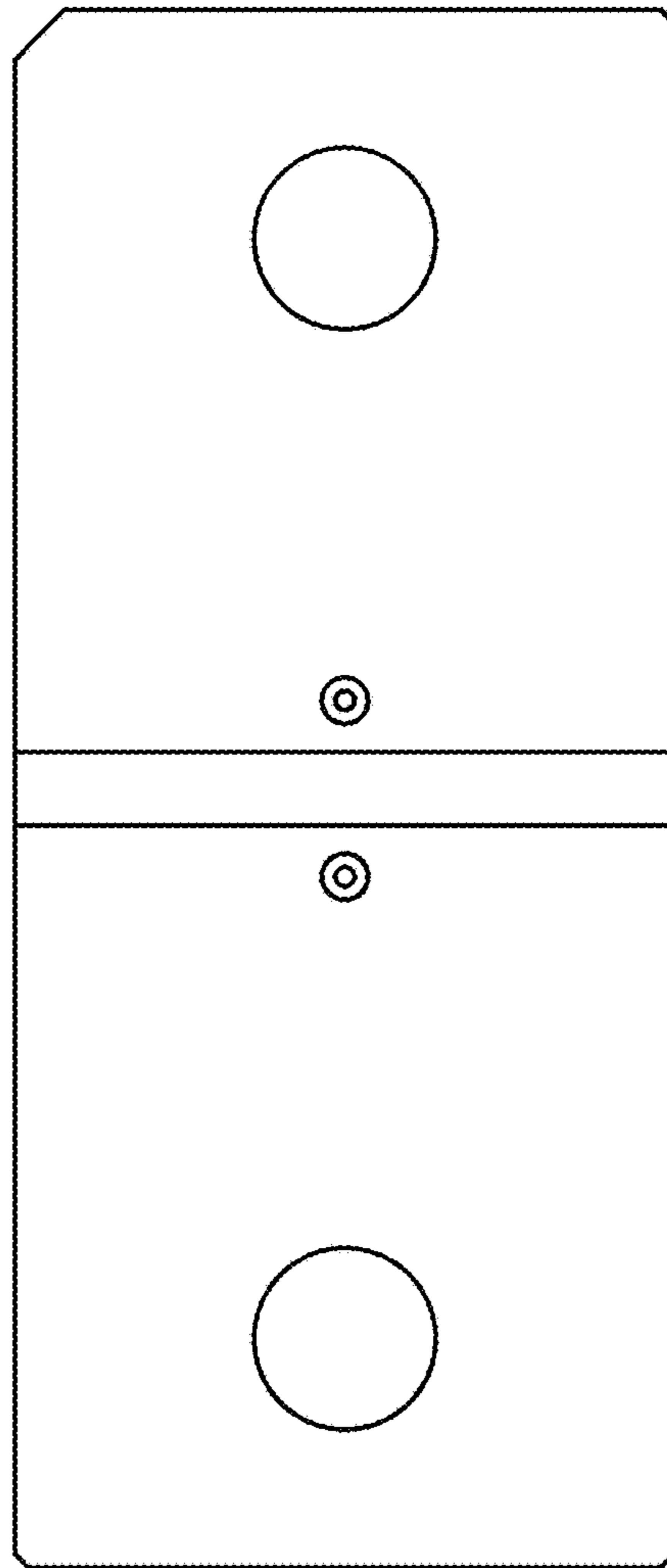


Fig. 15

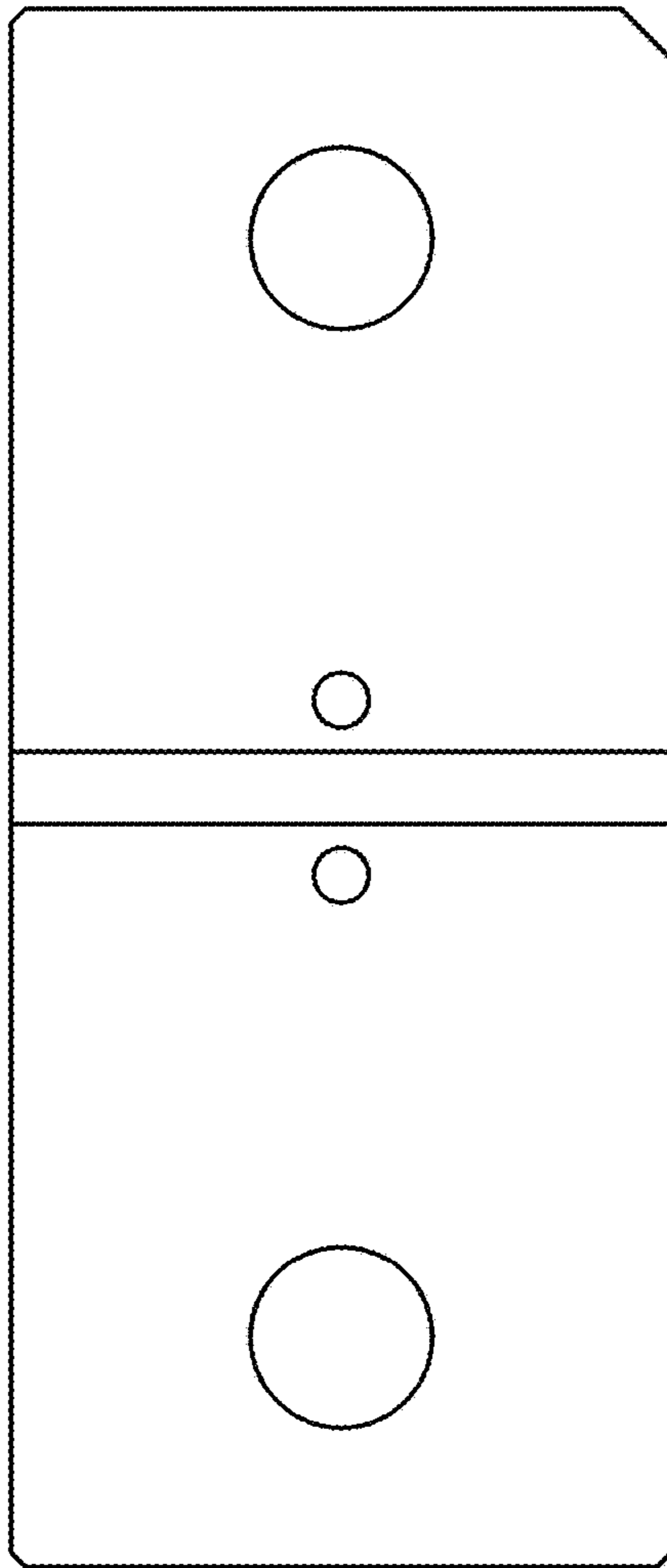


Fig. 16

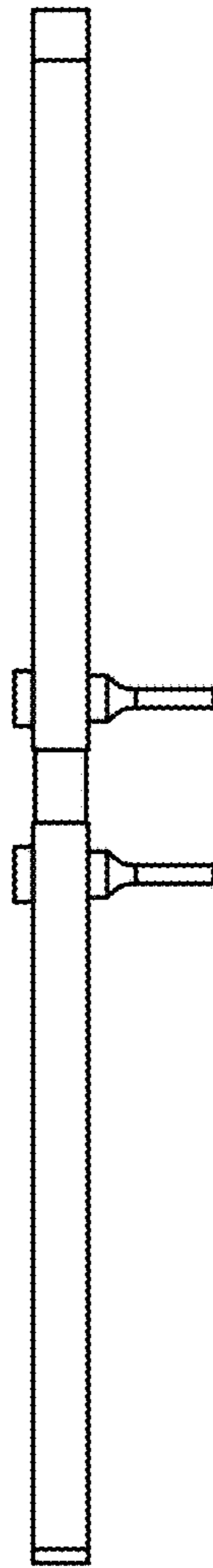


Fig. 17

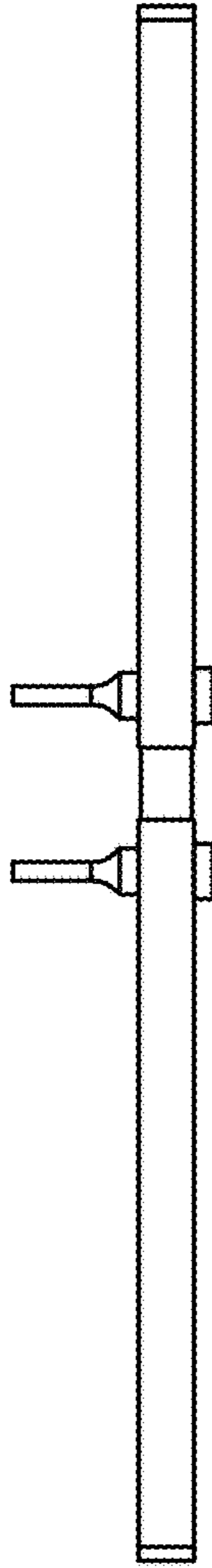


Fig. 18

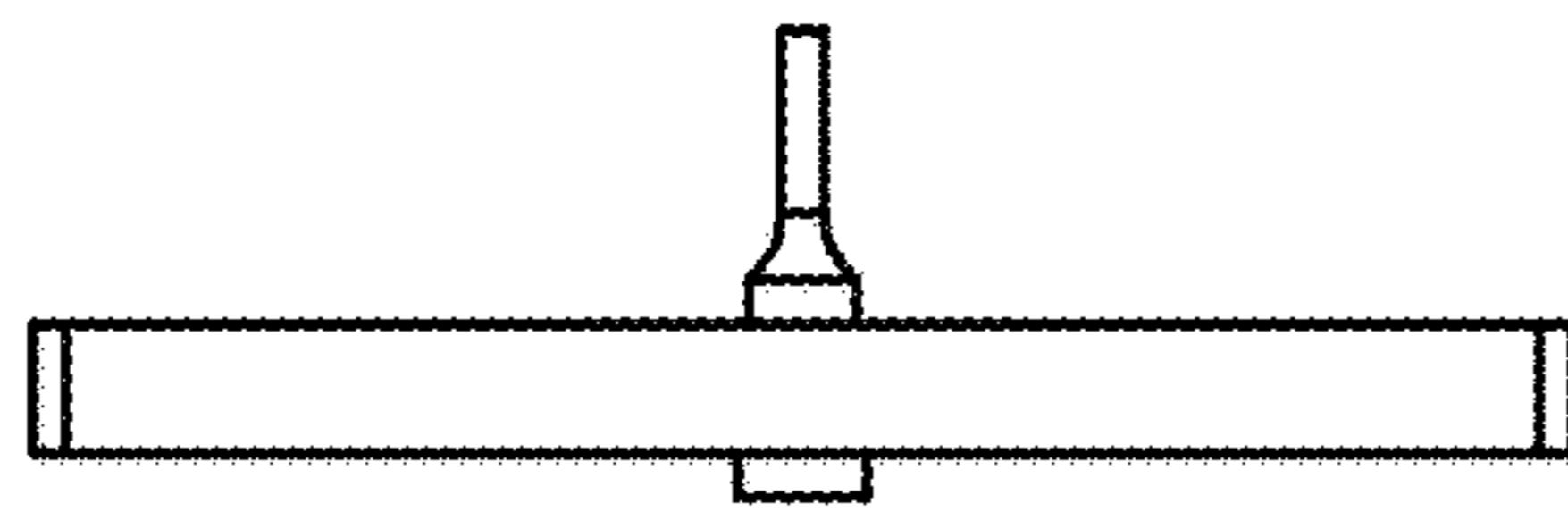


Fig. 19

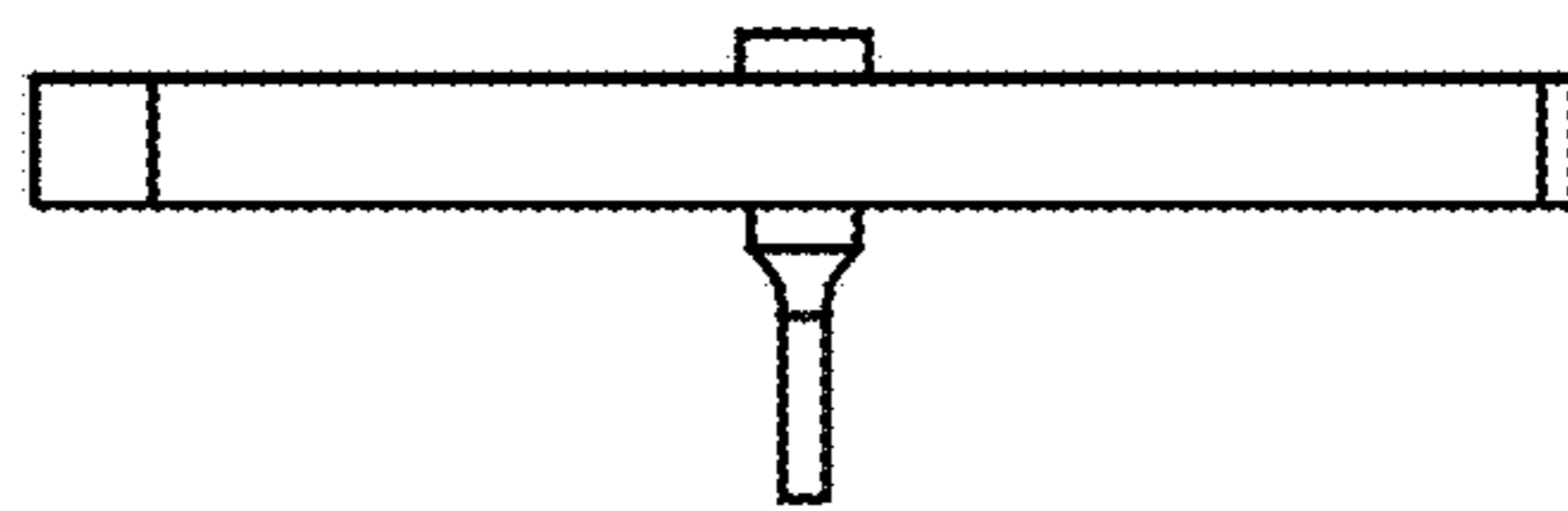


Fig. 20

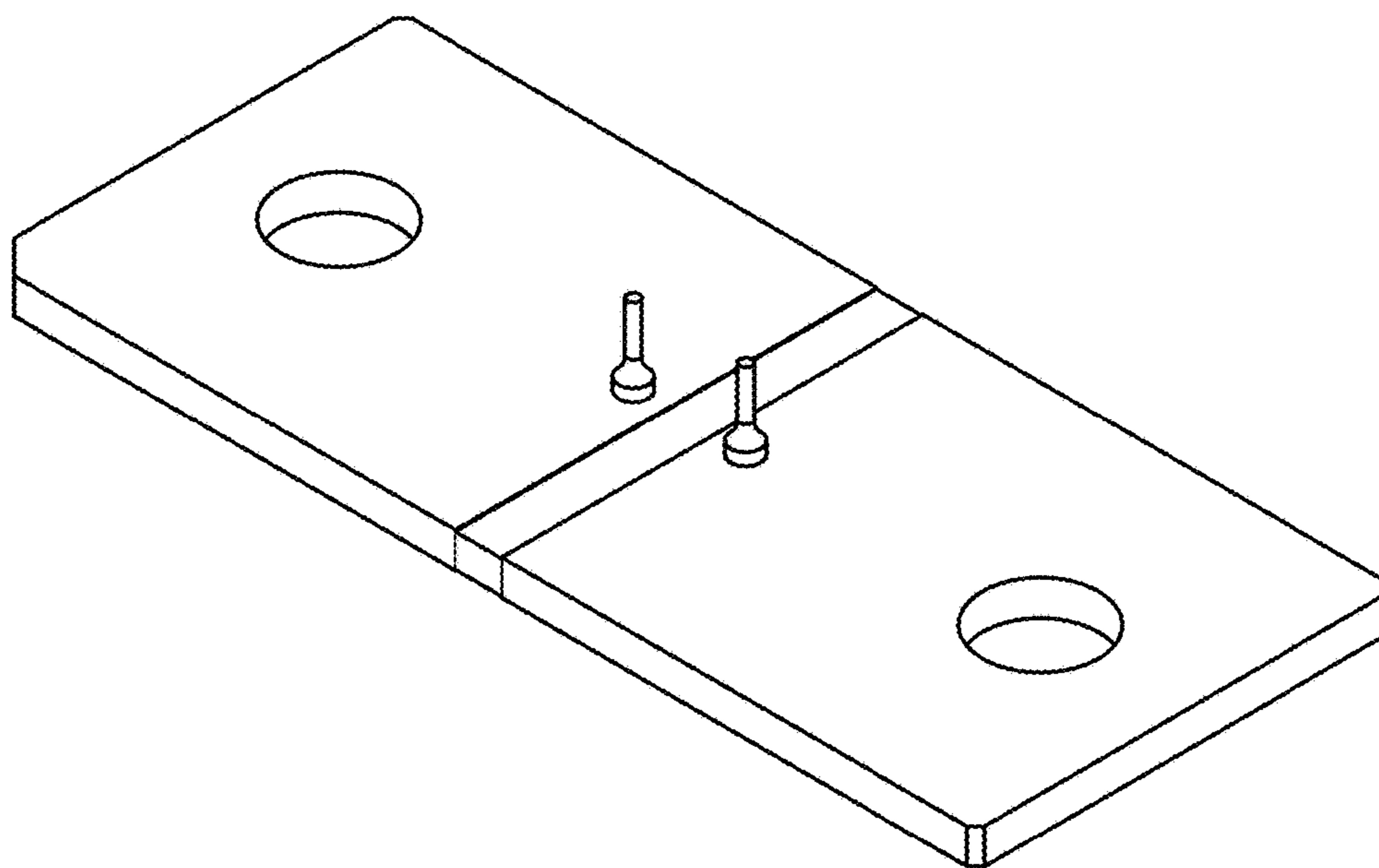


Fig. 21