



US00D845905S

(12) **United States Design Patent** (10) **Patent No.:** **US D845,905 S**
Zhang et al. (45) **Date of Patent:** **** Apr. 16, 2019**

(54) **ELECTRICAL CONNECTOR**

H01R 13/17; H01R 13/24; H01R 13/28;
(Continued)

(71) Applicant: **FOXCONN INTERCONNECT TECHNOLOGY LIMITED**, Grand Cayman (KY)

(56) **References Cited**

(72) Inventors: **Wen-Fang Zhang**, Kunshan (CN);
Jian-Kuang Zhu, Kunshan (CN);
Chun-Sheng Li, Kunshan (CN)

U.S. PATENT DOCUMENTS

D764,415 S * 8/2016 Qian D13/147
D764,416 S * 8/2016 Zhong D13/147
(Continued)

(73) Assignee: **FOXCONN INTERCONNECT TECHNOLOGY LIMITED**, Grand Cayman (KY)

FOREIGN PATENT DOCUMENTS

TW D171512 11/2015

(**) Term: **15 Years**

(21) Appl. No.: **29/586,124**

(22) Filed: **Dec. 1, 2016**

(30) **Foreign Application Priority Data**

Jun. 2, 2016 (CN) 2016 3 0218010

(51) **LOC (11) Cl.** **13-03**

(52) **U.S. Cl.**
USPC **D13/147**

(58) **Field of Classification Search**

USPC D13/118, 120, 123, 133, 146, 147, 149,
D13/154, 173, 184, 199; D14/432, 433,
D14/435, 435.1, 436, 437, 438

CPC H01R 12/00; H01R 12/50; H01R 12/52;
H01R 12/57; H01R 12/62; H01R 12/65;
H01R 12/73; H01R 13/02; H01R 13/04;
H01R 13/52; H01R 13/62; H01R 13/627;
H01R 13/65; H01R 13/44; H01R 13/629;
H01R 13/648; H01R 4/00; H01R 4/02;
H01R 4/60; H01R 12/51; H01R 12/70;
H01R 12/71; H01R 12/77; H01R 13/11;

OTHER PUBLICATIONS

Surface Pro 3's new and improved power connector make charging a breeze, dated May 21, 2014, [online], [site visited Apr. 13, 2018]. Available from Internet, <URL: <https://www.windowscentral.com/surface-pro-3-new-and-improved-ac-connector>> (Year: 2014).*

Primary Examiner — Angela J Lee

Assistant Examiner — Shawn T Gingrich

(74) *Attorney, Agent, or Firm* — Wei Te Chung; Ming Chieh Chang

(57) **CLAIM**

The ornamental design for an electrical connector thereof, as shown and described.

DESCRIPTION

FIG. 1 is a front, top and right side perspective view of an electrical connector showing our new design;
FIG. 2 is a front elevational view thereof;
FIG. 3 is left side elevational view thereof;
FIG. 4 is a right side elevational view thereof;
FIG. 5 is a top plan view thereof;
FIG. 6 is a bottom plan view thereof; and,
FIG. 7 is a cross-sectional view thereof along line 7-7 of FIG. 6.

The Dash-Dash broken line portion of the figure drawings is included to show portions of the article that form no part of the claimed design. The Dash-Dot broken line portion of the

(Continued)

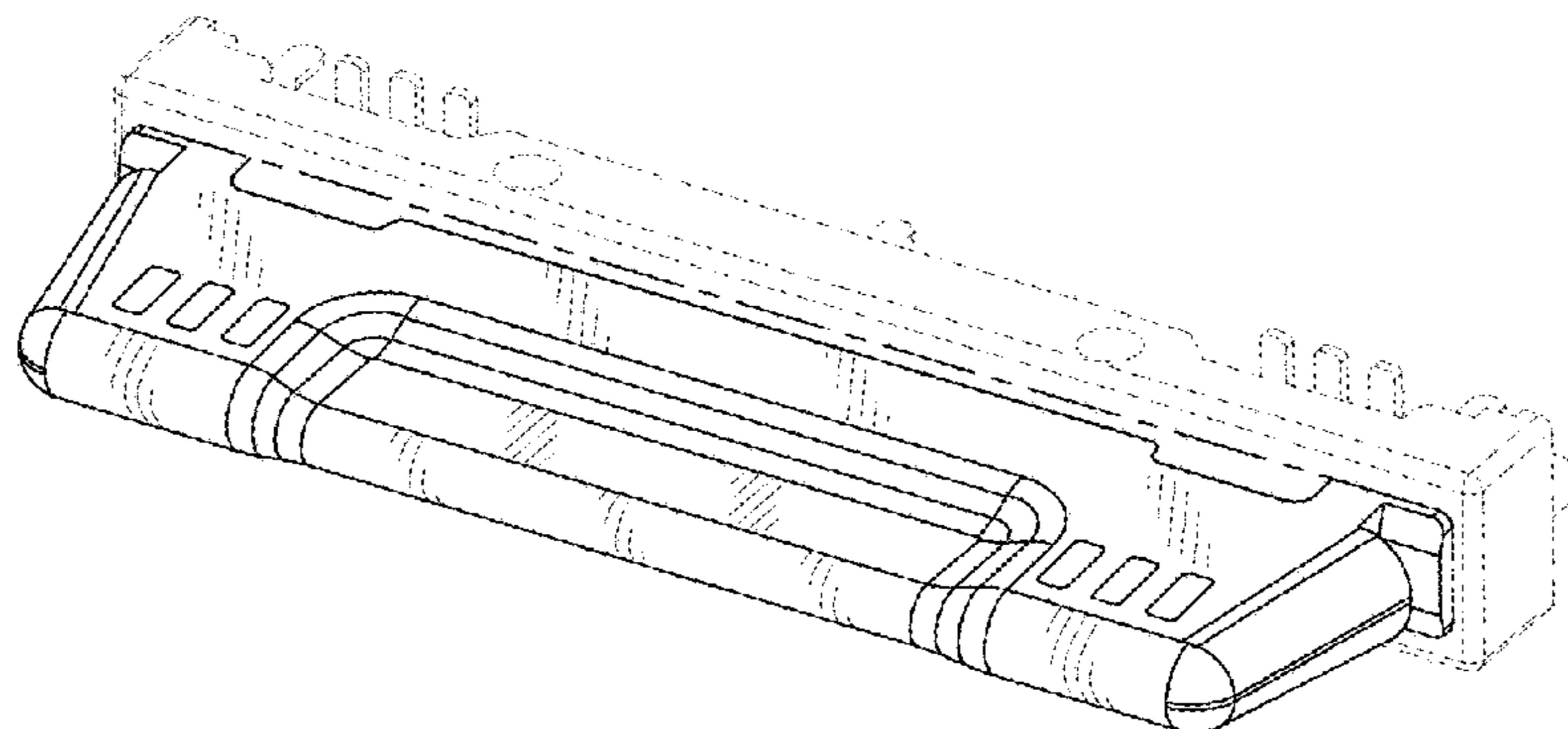


figure drawings is included to show boundaries of the claim that form no part of the claimed design.

1 Claim, 7 Drawing Sheets

(58) Field of Classification Search

CPC .. H01R 13/405; H01R 13/432; H01R 13/504;
H01R 13/6585; H01R 13/6586; H01R
13/66; H01R 24/00; H01R 24/28; H01R
24/60; H01R 43/02; H01R 43/16; H01R
43/24

See application file for complete search history.

(56) References Cited

U.S. PATENT DOCUMENTS

D780,124 S *	2/2017	Qian	D13/147
9,772,090 B2 *	9/2017	Huang	F21V 11/00
9,780,503 B2 *	10/2017	Huang	H01R 13/7175
9,843,137 B2 *	12/2017	McCracken	H01R 13/648
2015/0126068 A1 *	5/2015	Fang	H01R 13/6587 439/607.23
2015/0214677 A1 *	7/2015	Huang	H01R 13/7175 439/39
2015/0214679 A1 *	7/2015	Huang	H01R 13/504 439/676
2016/0049752 A1 *	2/2016	Qian	H01R 13/6585 439/607.05
2016/0240984 A1 *	8/2016	Huang	H01R 13/7175
2017/0093096 A1 *	3/2017	Huang	H01R 13/5213
2018/0054007 A1 *	2/2018	Zhang	H01R 12/51
2018/0062295 A1 *	3/2018	Tian	H01R 4/02
2018/0062296 A1 *	3/2018	Tian	H01R 12/707
2018/0166832 A1 *	6/2018	Xu	H01R 13/6582

* cited by examiner

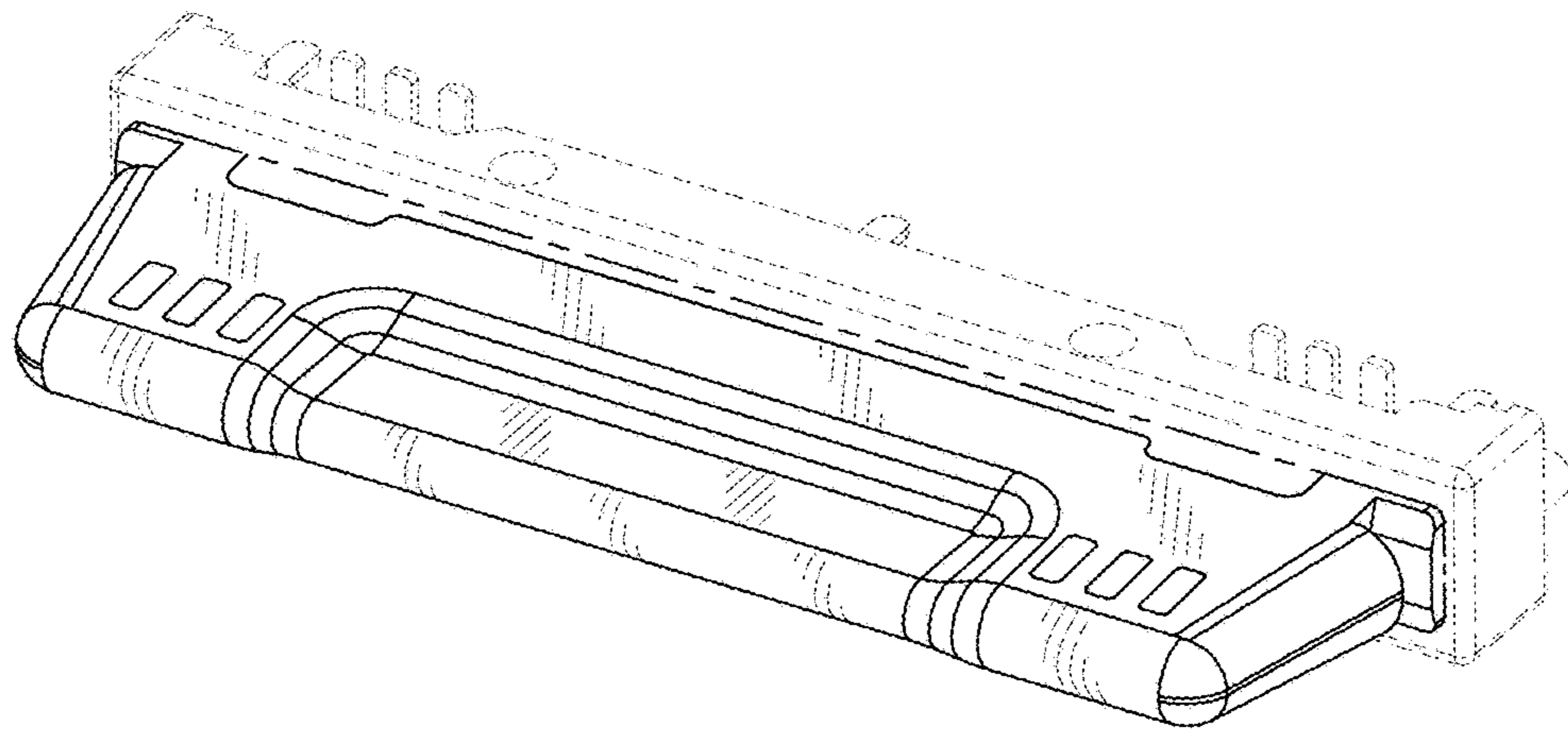


FIG. 1

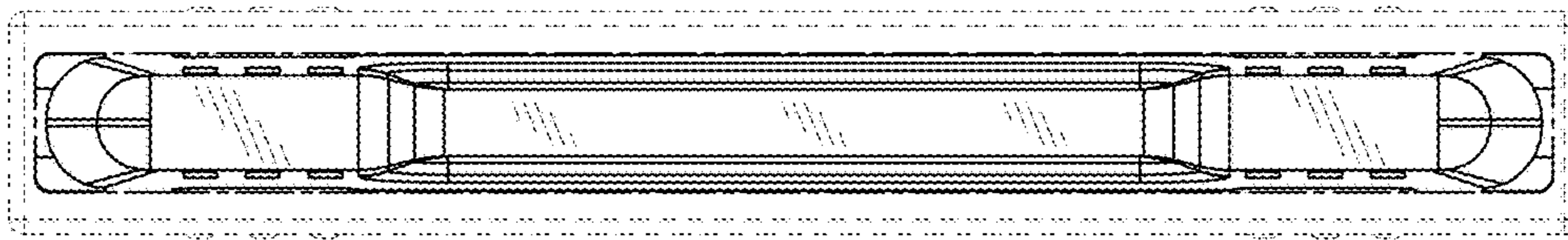


FIG. 2

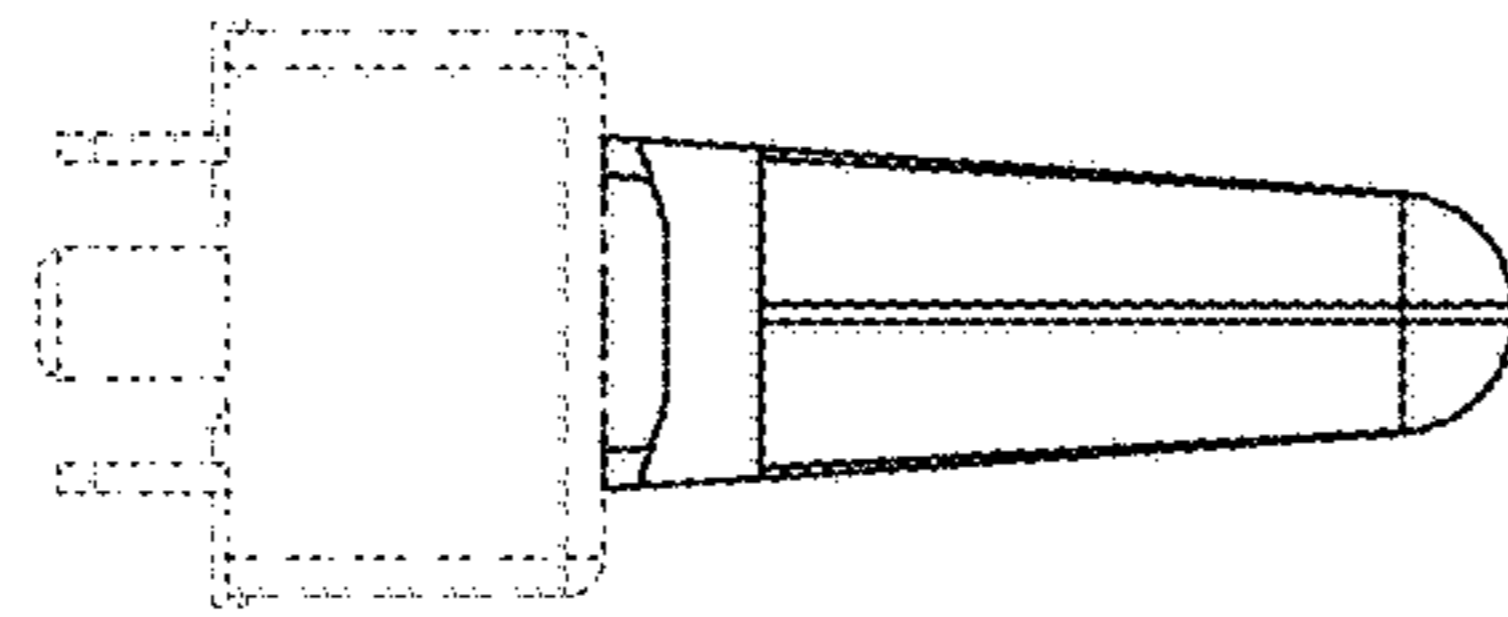


FIG. 3

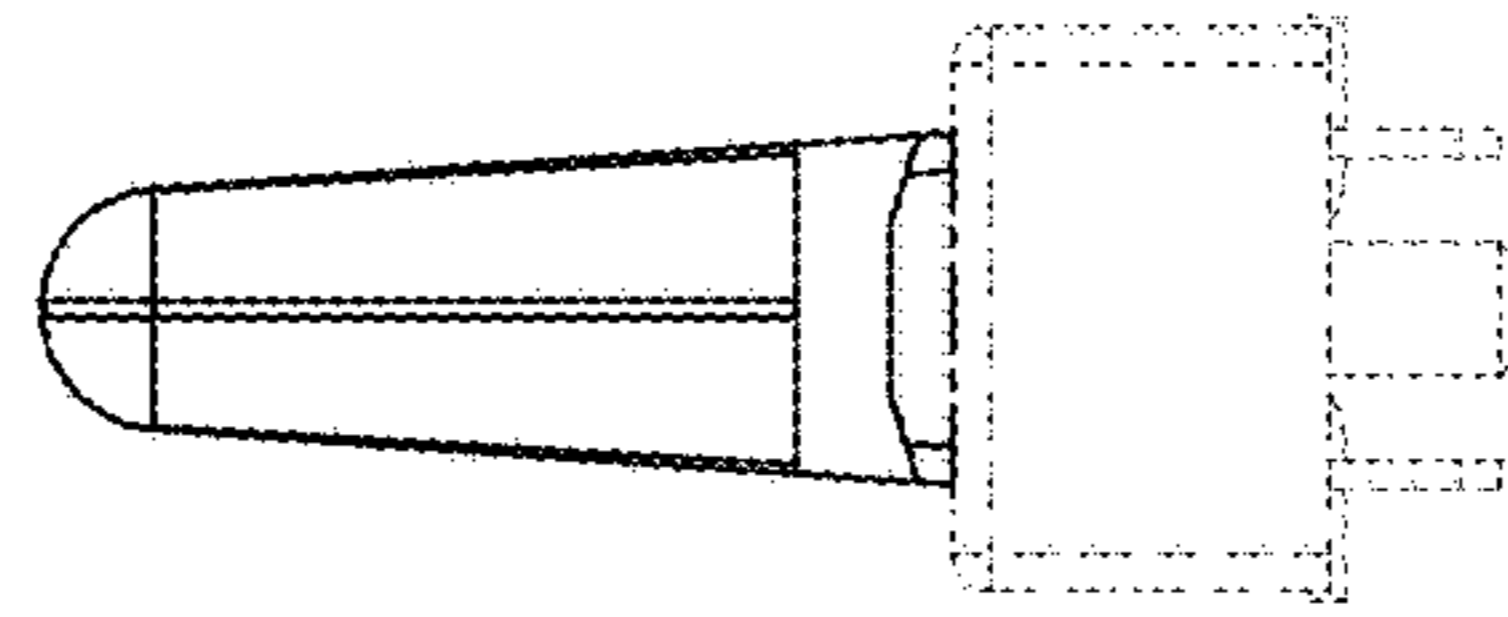


FIG. 4

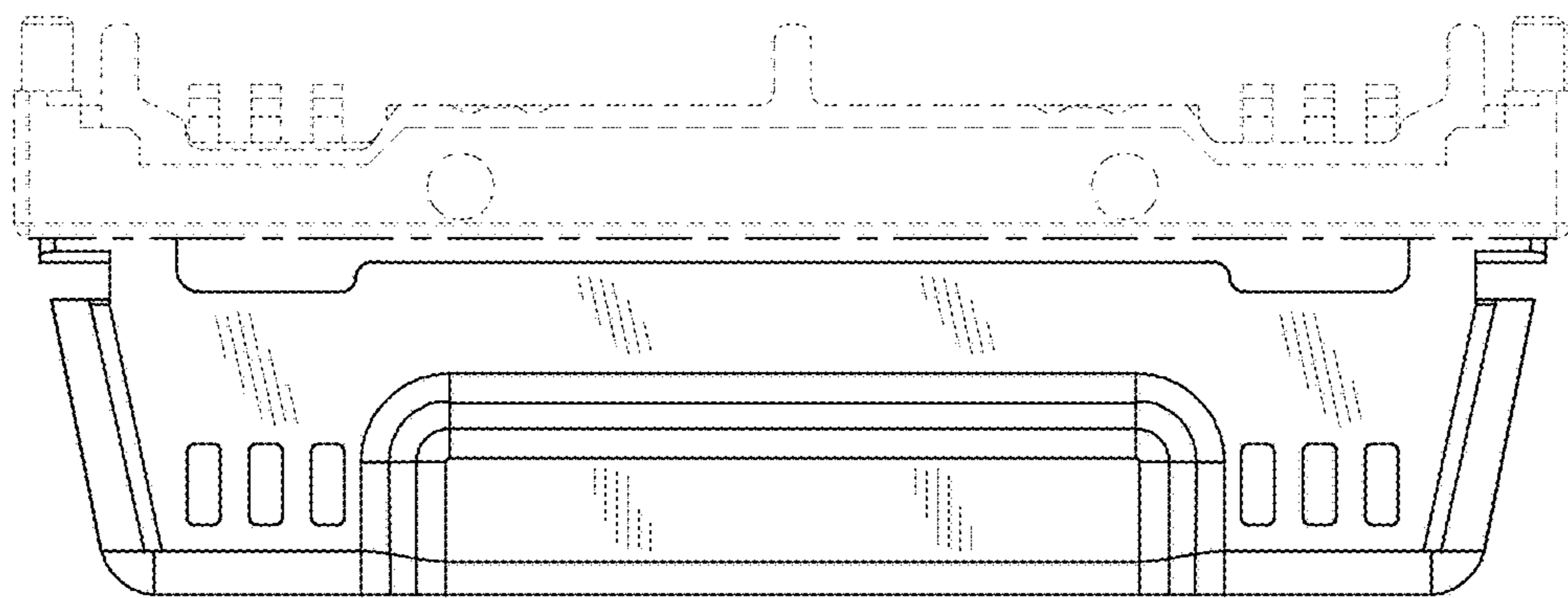


FIG. 5

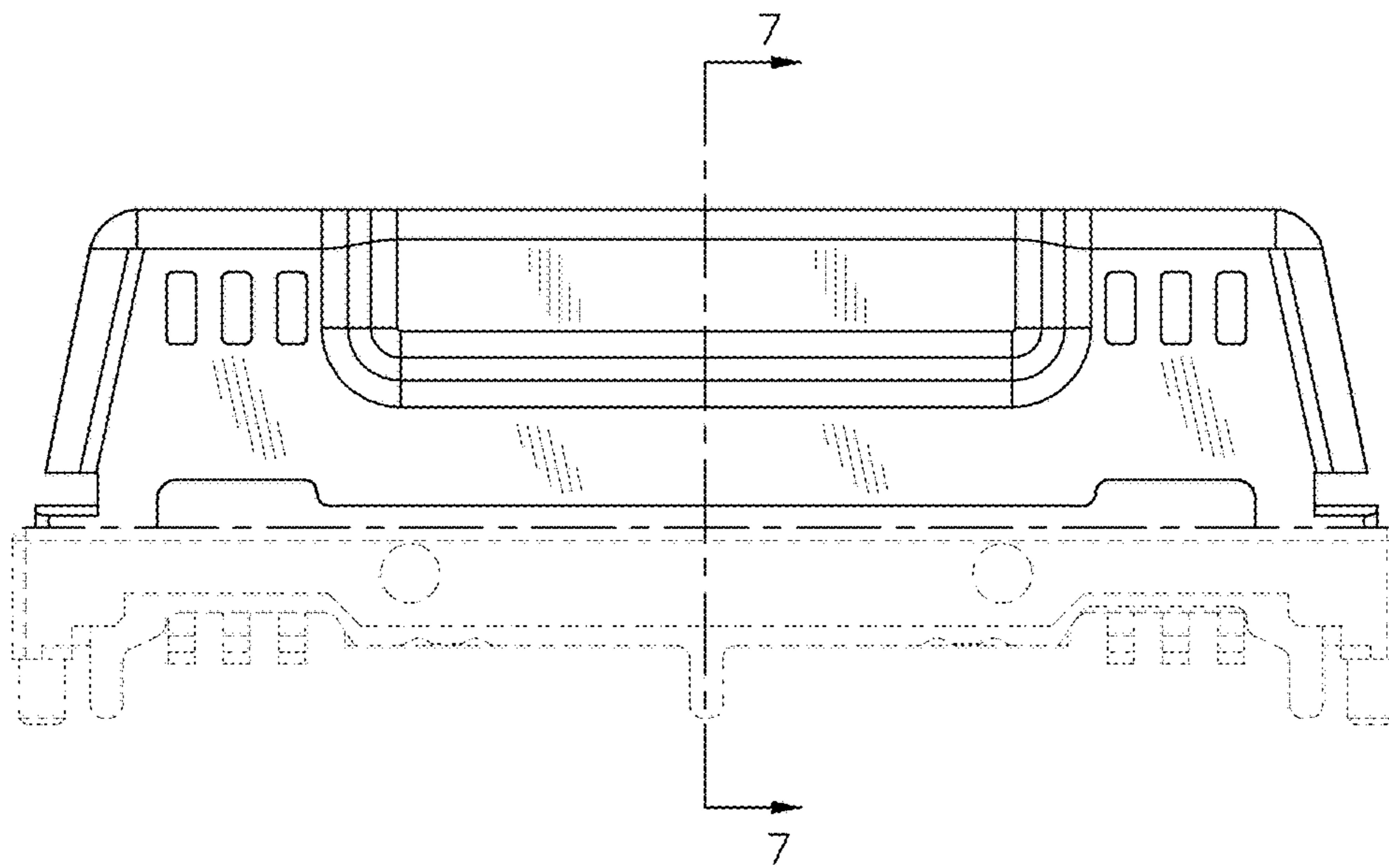


FIG. 6

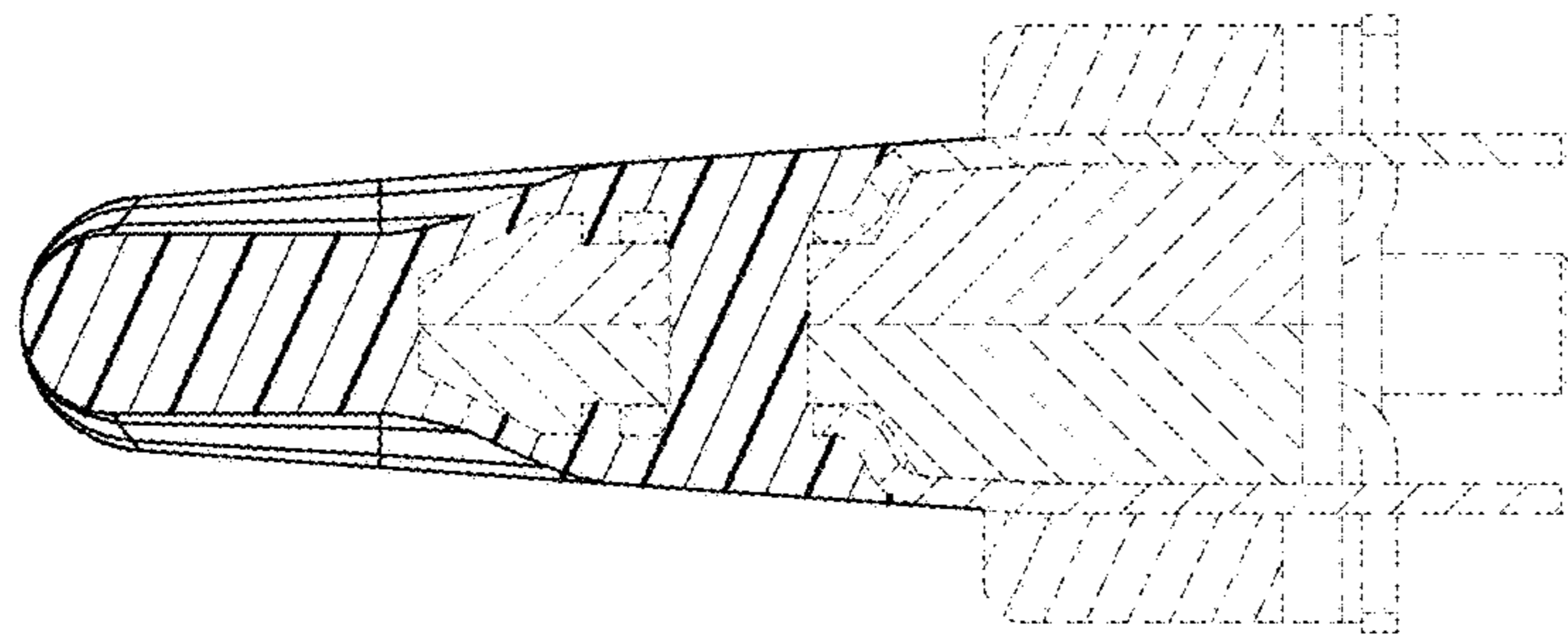


FIG. 7