



US00D845904S

(12) **United States Design Patent**  
**Zaurrini**

(10) **Patent No.:** **US D845,904 S**  
(45) **Date of Patent:** **\*\* Apr. 16, 2019**

(54) **WATERPROOF POWER COUPLER**

(71) Applicant: **Zap Cap IP Pty Ltd**, Greystanes, New South Wales (AU)

(72) Inventor: **Pasquale Peter Zaurrini**, Greystanes (AU)

(73) Assignee: **Zap Cap IP Pty Ltd**, Greystanes, New South Wales

(\*\*) Term: **15 Years**

(21) Appl. No.: **29/639,202**

(22) Filed: **Mar. 5, 2018**

(51) **LOC (11) Cl.** ..... **13-03**

(52) **U.S. Cl.**  
USPC ..... **D13/139.6; D13/156**

(58) **Field of Classification Search**  
USPC ..... D13/118, 123, 133, 137.1, 137.3, 139.1, D13/139.3, 139.4, 139.6, 139.8, 146, 147, D13/149, 152, 154, 173, 184, 199, 156; D8/353  
CPC ..... H01R 13/52; H01R 13/5213; H01R 13/5221; H01R 13/62; H01R 13/63; H01R 13/639; H01R 13/6392; H01R 13/447; H01R 33/90; H02G 15/10; H02G 15/18; H02G 3/08; H02G 3/14; H02G 3/18

See application file for complete search history.

(56) **References Cited**

**U.S. PATENT DOCUMENTS**

4,214,802	A	7/1980	Otani et al.	
4,724,281	A	2/1988	Nix et al.	
D342,233	S *	12/1993	Berlin	D13/156
5,306,176	A	4/1994	Coffey	
5,382,756	A	1/1995	Dagan	
5,551,888	A	9/1996	Rhodes, Sr.	
5,913,692	A	6/1999	Targett	
D411,826	S *	7/1999	Lamar	D13/139.6
6,099,340	A	8/2000	Florentine	
D430,850	S *	9/2000	Alves	D13/123

6,250,946	B1	6/2001	Tardy	
D464,325	S *	10/2002	Peters	D13/156
D464,627	S *	10/2002	Metcalf	D13/152
D466,086	S *	11/2002	Metcalf	D13/152

(Continued)

**FOREIGN PATENT DOCUMENTS**

AU	2004202503	5/2005	
EM	004733574-0001	* 1/2018	
EM	004733574-0002	* 1/2018	

**OTHER PUBLICATIONS**

ZapCap Updated 2014, dated Aug. 25, 2014, [online], [site visited Oct. 23, 2018]. Available from Internet, <URL: <https://www.youtube.com/watch?v=a0iqTtZkB8>> (Year: 2014).\*

(Continued)

*Primary Examiner* — Angela J Lee

*Assistant Examiner* — Shawn T Gingrich

(74) *Attorney, Agent, or Firm* — Dority & Manning, P.A.

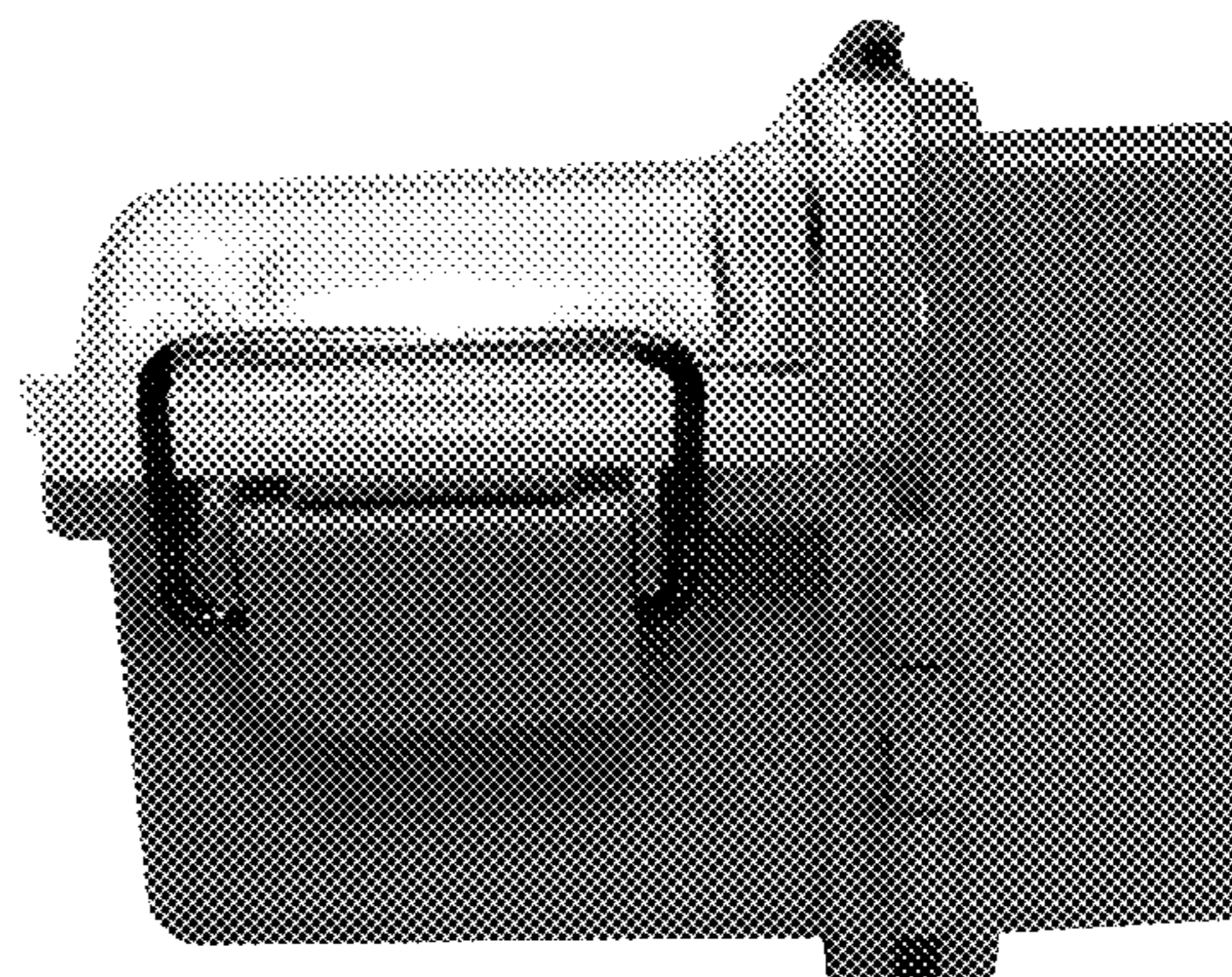
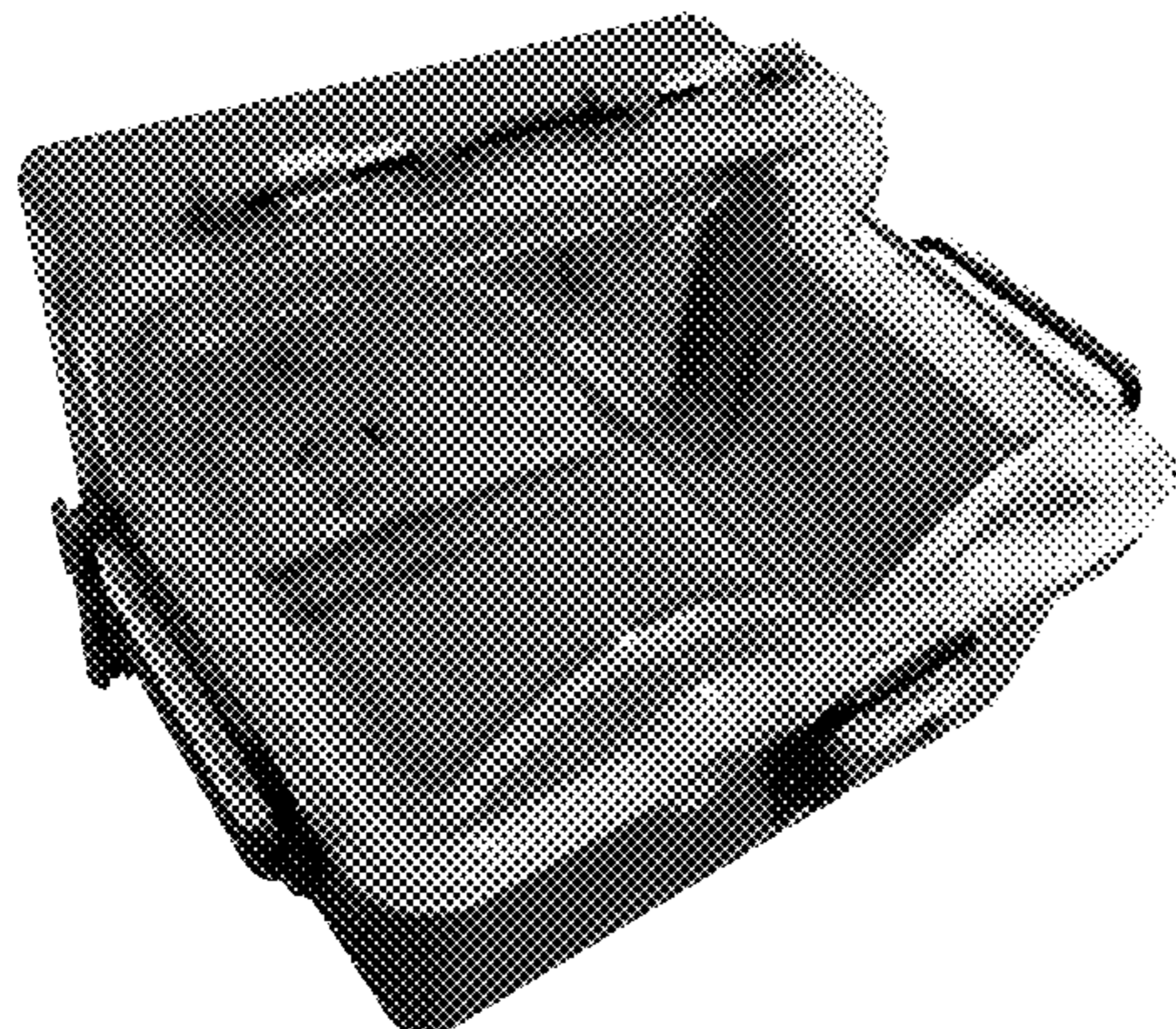
(57) **CLAIM**

The ornamental design for a waterproof power coupler, as shown and described.

**DESCRIPTION**

FIG. 1 is a top perspective view of a waterproof power coupler according to the present design;  
FIG. 2 is a front view of the waterproof power coupler of FIG. 1;  
FIG. 3 is a left side view of the waterproof power coupler of FIG. 1;  
FIG. 4 is a right side view of the waterproof power coupler of FIG. 1;  
FIG. 5 is a top view of the waterproof power coupler of FIG. 1; and,  
FIG. 6 is a bottom view of the waterproof power coupler of FIG. 1.

**1 Claim, 6 Drawing Sheets**



(56)

References Cited

OTHER PUBLICATIONS

U.S. PATENT DOCUMENTS

6,551,135 B2 4/2003 Stekelenburg  
 D479,201 S \* 9/2003 Limber ..... D13/156  
 7,285,725 B1 10/2007 Saman  
 7,431,611 B2 10/2008 King, Jr. et al.  
 7,550,672 B2 6/2009 Chadbourne et al.  
 7,686,661 B2 3/2010 Shrum et al.  
 8,016,607 B2 9/2011 Brown, II  
 8,408,929 B2 4/2013 Solon  
 9,197,005 B2 11/2015 Zaurrini  
 D753,606 S \* 4/2016 Nooner ..... H01R 13/5213  
 D13/156  
 D783,542 S \* 4/2017 Marsden ..... H01R 13/447  
 D13/156  
 2004/0219820 A1 11/2004 Sokol et al.  
 2016/0172830 A1 \* 6/2016 Huang ..... H02G 3/14  
 174/66  
 2016/0329132 A1 \* 11/2016 Nooner ..... H01R 13/5213

ZapCap, dated Apr. 6, 2016, [online], [site visited Oct. 23, 2018]. Available from Internet, <URL: <http://www.zapcapsafety.com/zap-cap/>> (Year: 2016).\*

Taymac MM510C Weatherproof Single Outlet Cover Outdoor Receptacle Protector, dated Nov. 19, 2008, [online], [site visited Oct. 23, 2018]. Available from Internet, <URL:<https://www.amazon.com/MM510C-Weatherproof-Outdoor-Receptacle-Protector/dp/B001JEPX4Y>> (Year: 2008).\*

International Search Report for PCT/AU2012/000666, dated Aug. 20, 2012, 3 pages.

Examination Report for NZ617829, dated Aug. 8, 2014, 2 pages.

Supplementary EP Search Report for EP12797185, dated Nov. 14, 2014, 5 pages.

\* cited by examiner



FIG. 1

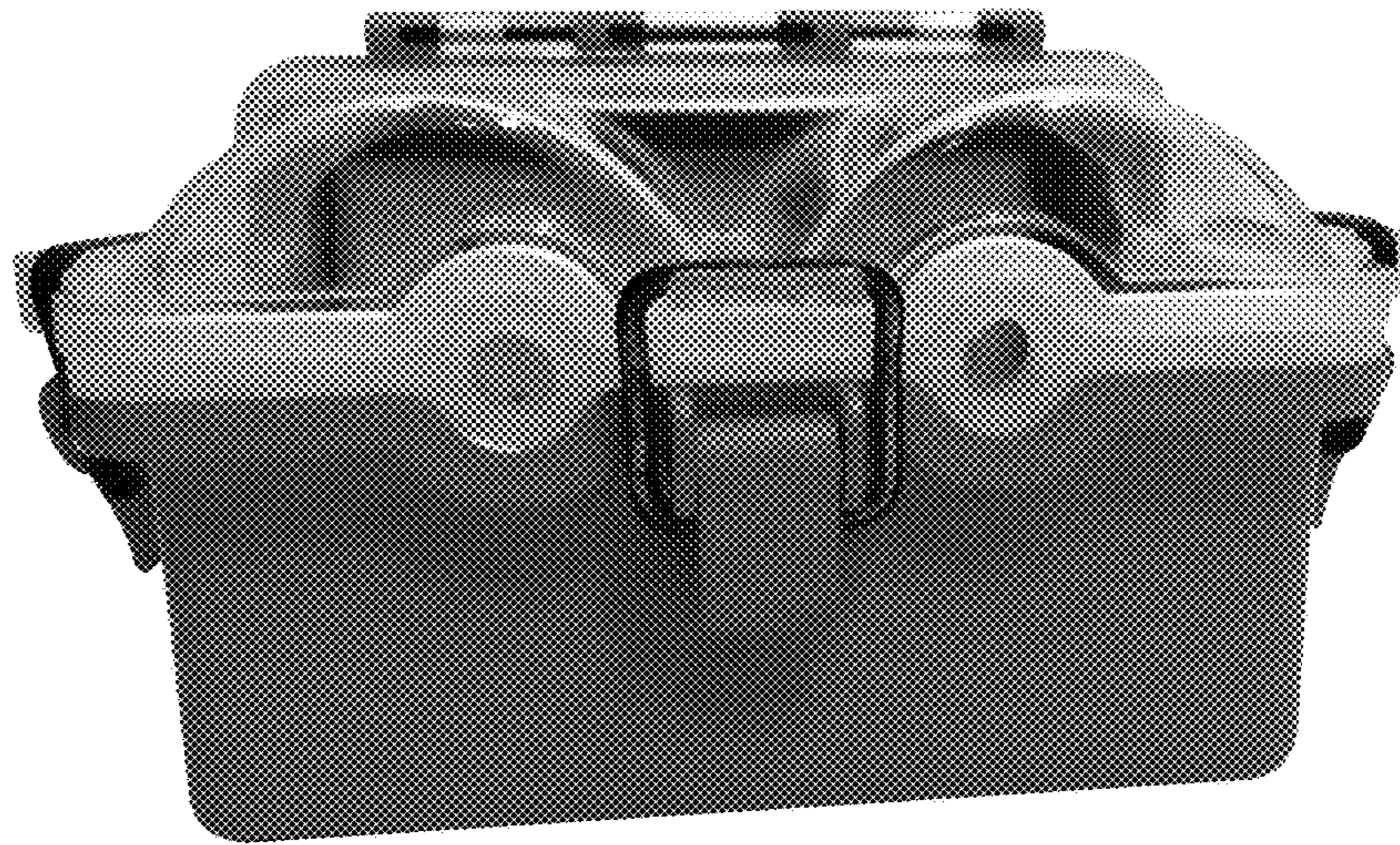


FIG. 2

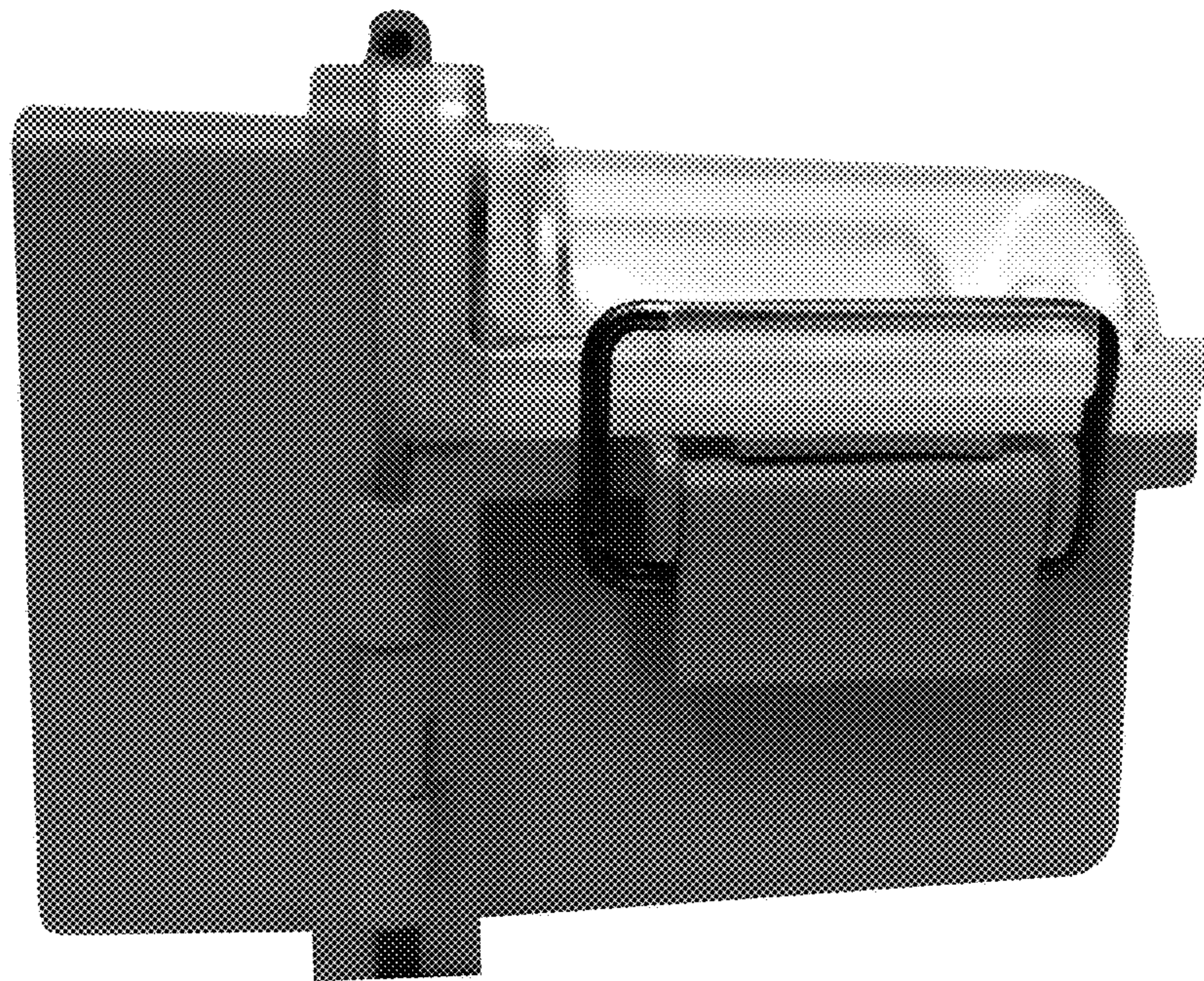


FIG. 3

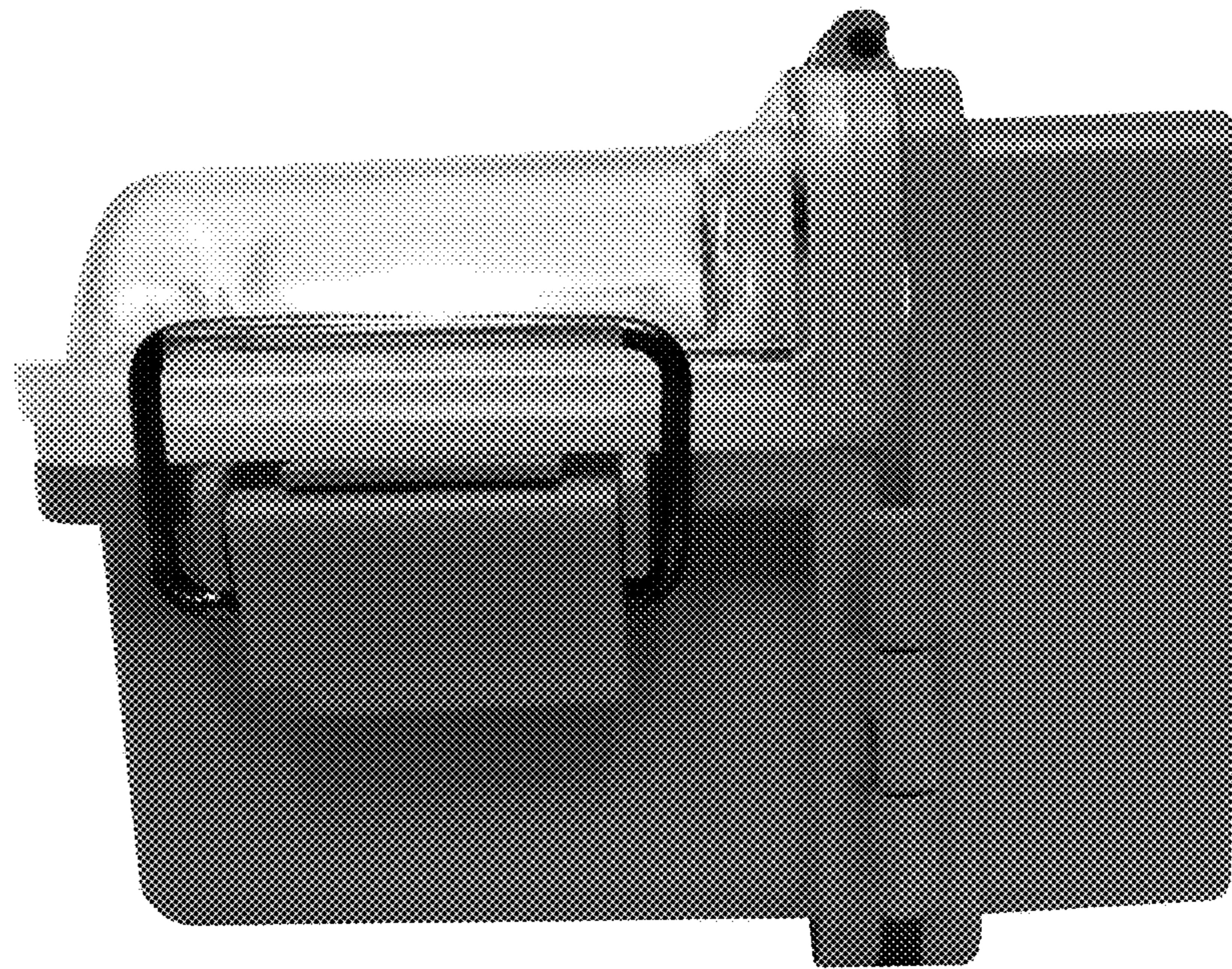


FIG. 4



FIG. 5

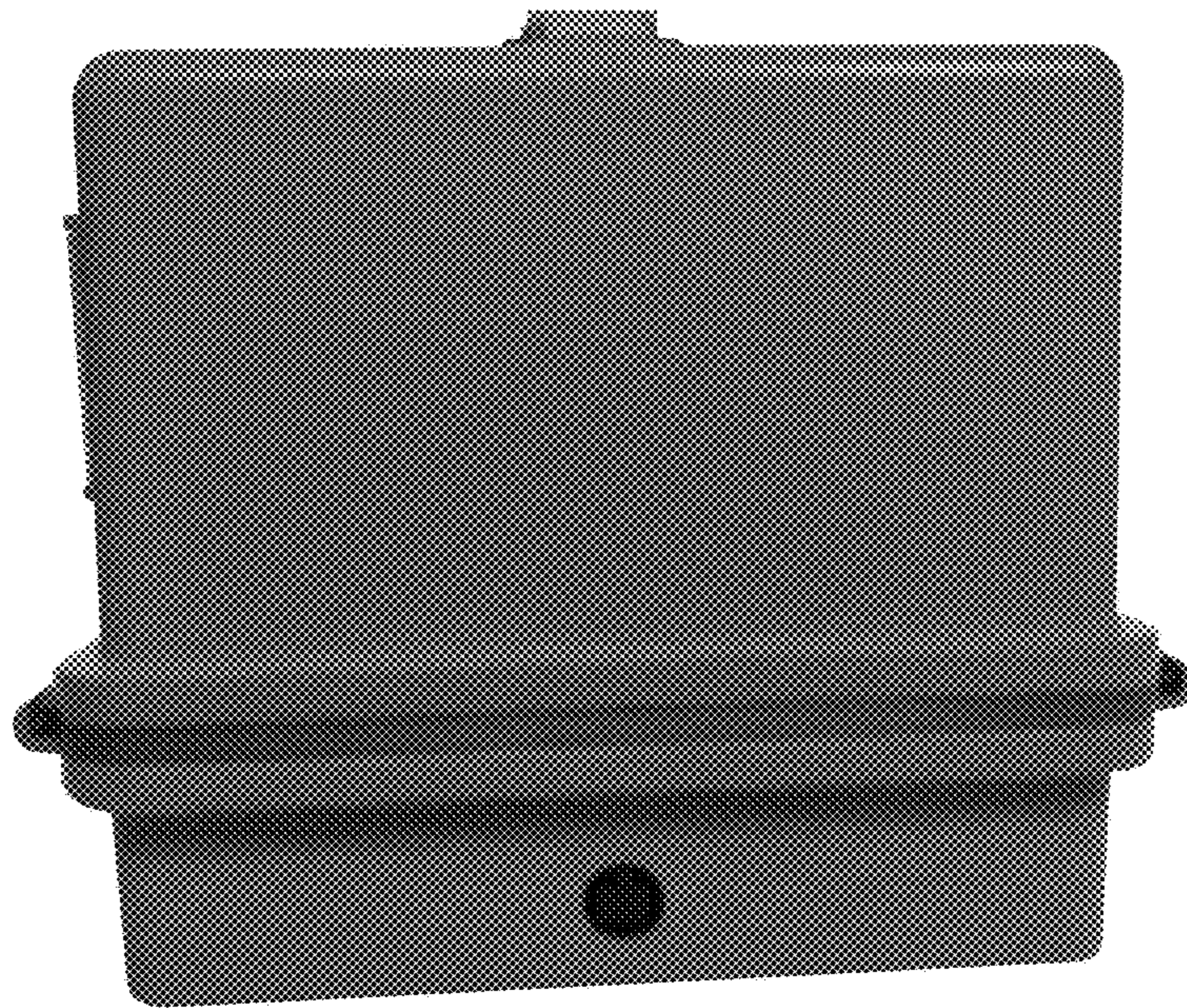


FIG. 6