



US00D845902S

(12) **United States Design Patent**
Xu

(10) **Patent No.:** **US D845,902 S**
(45) **Date of Patent:** **** Apr. 16, 2019**

(54) **SOCKET**

(71) Applicant: **ShenZhen ORICO Technologies Co., Ltd**, Shenzhen (CN)

(72) Inventor: **Yeyou Xu**, Shenzhen (CN)

(73) Assignee: **ShenZhen ORICO Technologies Co., Ltd**, Shenzhen (CN)

(**) Term: **15 Years**

(21) Appl. No.: **29/610,484**

(22) Filed: **Jul. 12, 2017**

(51) **LOC (11) Cl.** **13-03**

(52) **U.S. Cl.**
USPC **D13/137.4**

(58) **Field of Classification Search**
USPC D13/137.1–137.4, 138.1–138.2,
D13/139.1–139.8, 152–154, 108, 110,
D13/123, 133, 146, 147, 156, 158, 160;
D14/433, 434
CPC .. H01R 25/00; H01R 25/006; H01R 13/6675;
H01R 13/44; H01R 13/627; H01R
13/447; H01R 13/73; H01R 13/66; H01R
13/60; H01R 25/165; H05K 5/00; H05K
5/03; H03R 13/10; H03R 13/17; H03R
13/20; H03R 13/5829

See application file for complete search history.

(56) **References Cited**

U.S. PATENT DOCUMENTS

D432,499 S * 10/2000 Stekelenburg D13/139.6
D443,590 S * 6/2001 Vende D13/137.4
D448,730 S * 10/2001 Lee D13/137.4

D482,326 S * 11/2003 Stekelenburg D13/137.4
D640,199 S * 6/2011 Wilson D13/139.7
D794,029 S * 8/2017 Lin D14/433
D796,442 S * 9/2017 Xu D13/139.6

OTHER PUBLICATIONS

Amazon.com: NTONPOWER Travel Power Strip for Cruise Ship. Published Jul. 17, 2017. Retrieved from the internet at <https://www.amazon.com/NTONPOWER-Outlets-Desktop-Wrapped-Extension/dp/B073ZDH43X/>, Aug. 4, 2018. 1 page. (Year: 2017).*

* cited by examiner

Primary Examiner — Rosemary K Tarcza

Assistant Examiner — Christy M Nemeth

(74) *Attorney, Agent, or Firm* — Wayne & Ken, LLC;
Tony Hom

(57) **CLAIM**

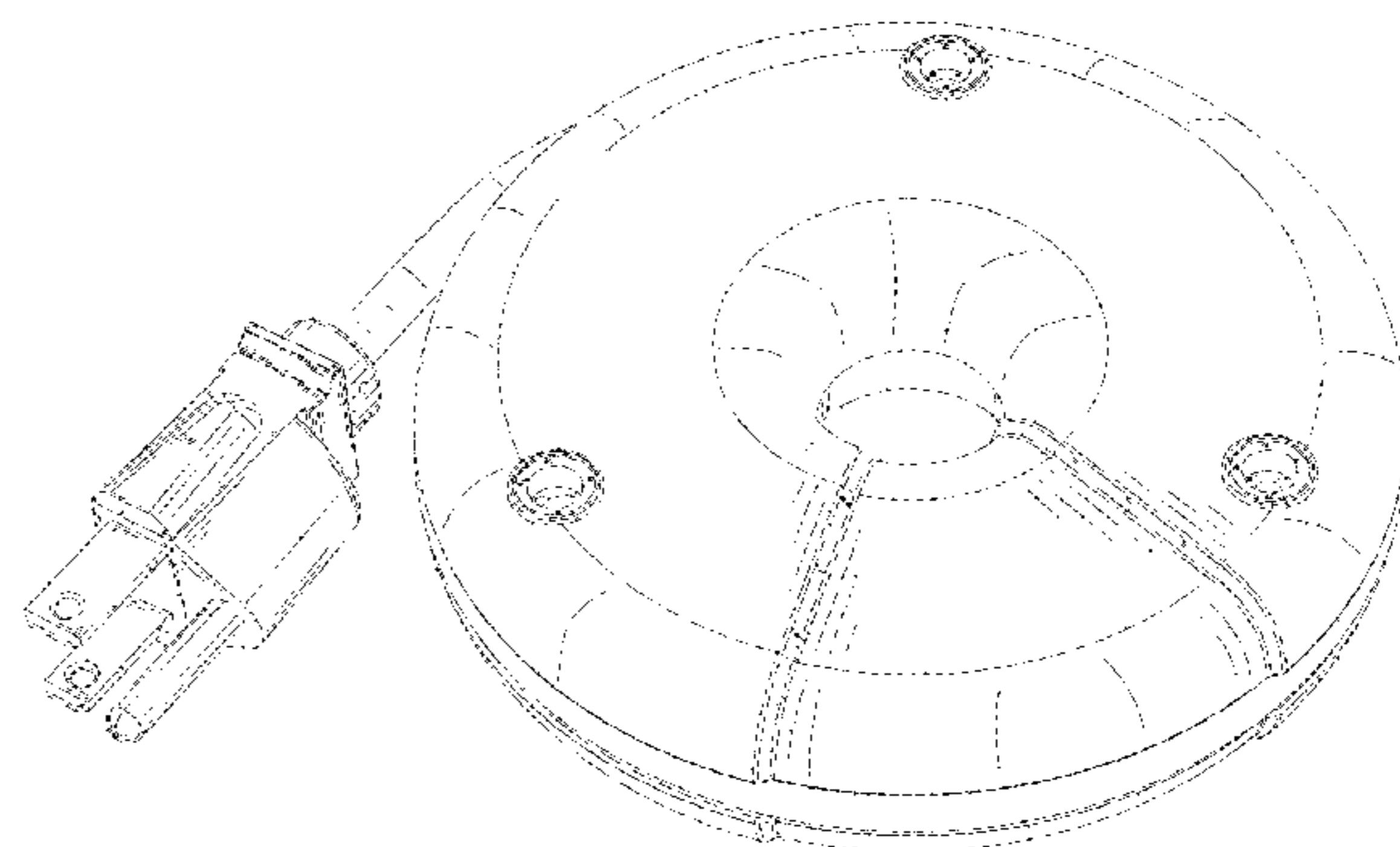
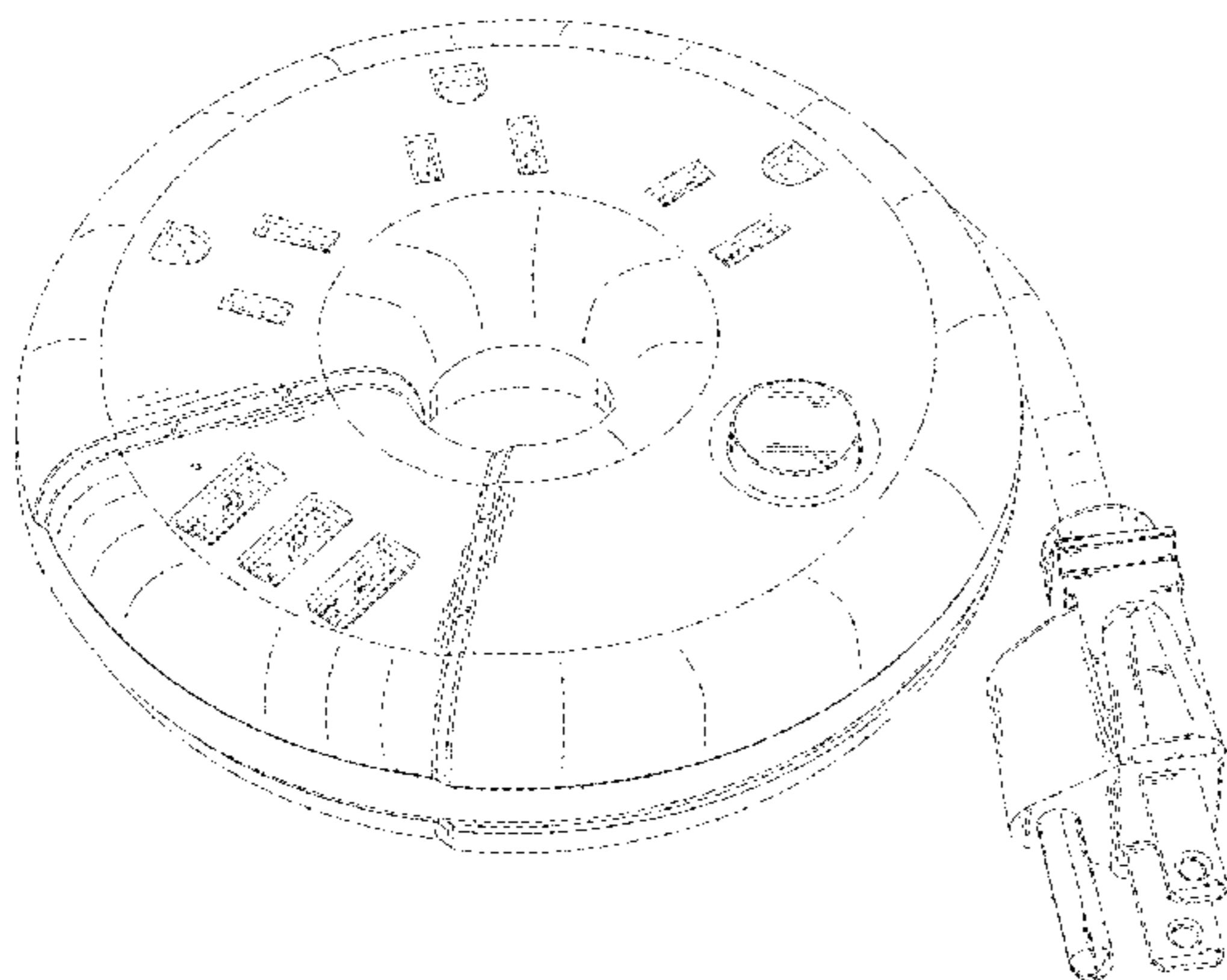
The ornamental design for a socket, as shown and described.

DESCRIPTION

FIG. 1 is a front perspective view of a socket showing my new design;
FIG. 2 is a back, bottom perspective view thereof;
FIG. 3 is a front view thereof;
FIG. 4 is a back view thereof;
FIG. 5 is a left view thereof;
FIG. 6 is a right view thereof;
FIG. 7 is a top plan view thereof; and,
FIG. 8 is a bottom view thereof.

Broken lines in the drawings are for the purpose of illustrating portions of the socket that form no part of the claimed design.

1 Claim, 8 Drawing Sheets



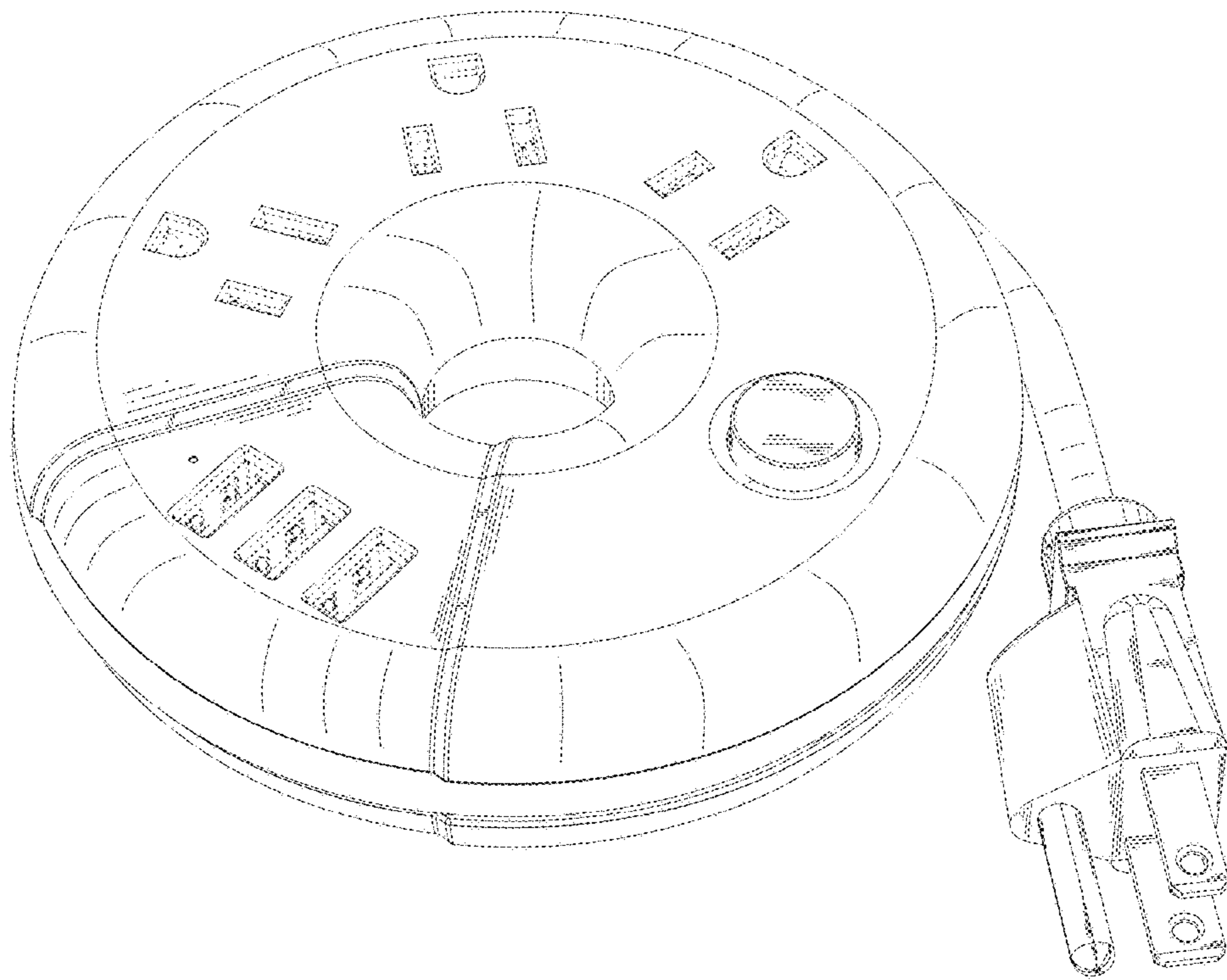


FIG. 1

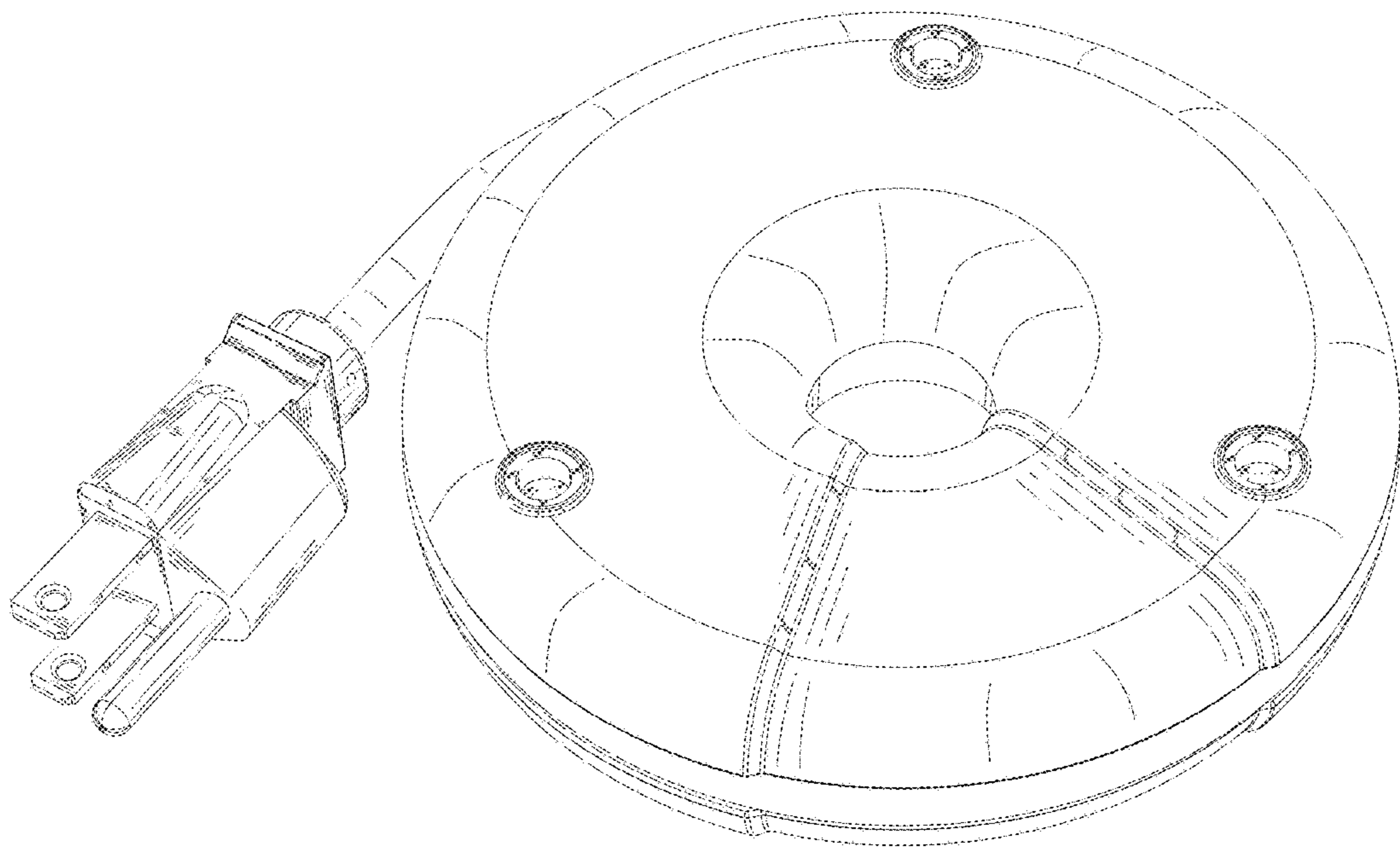


FIG. 2

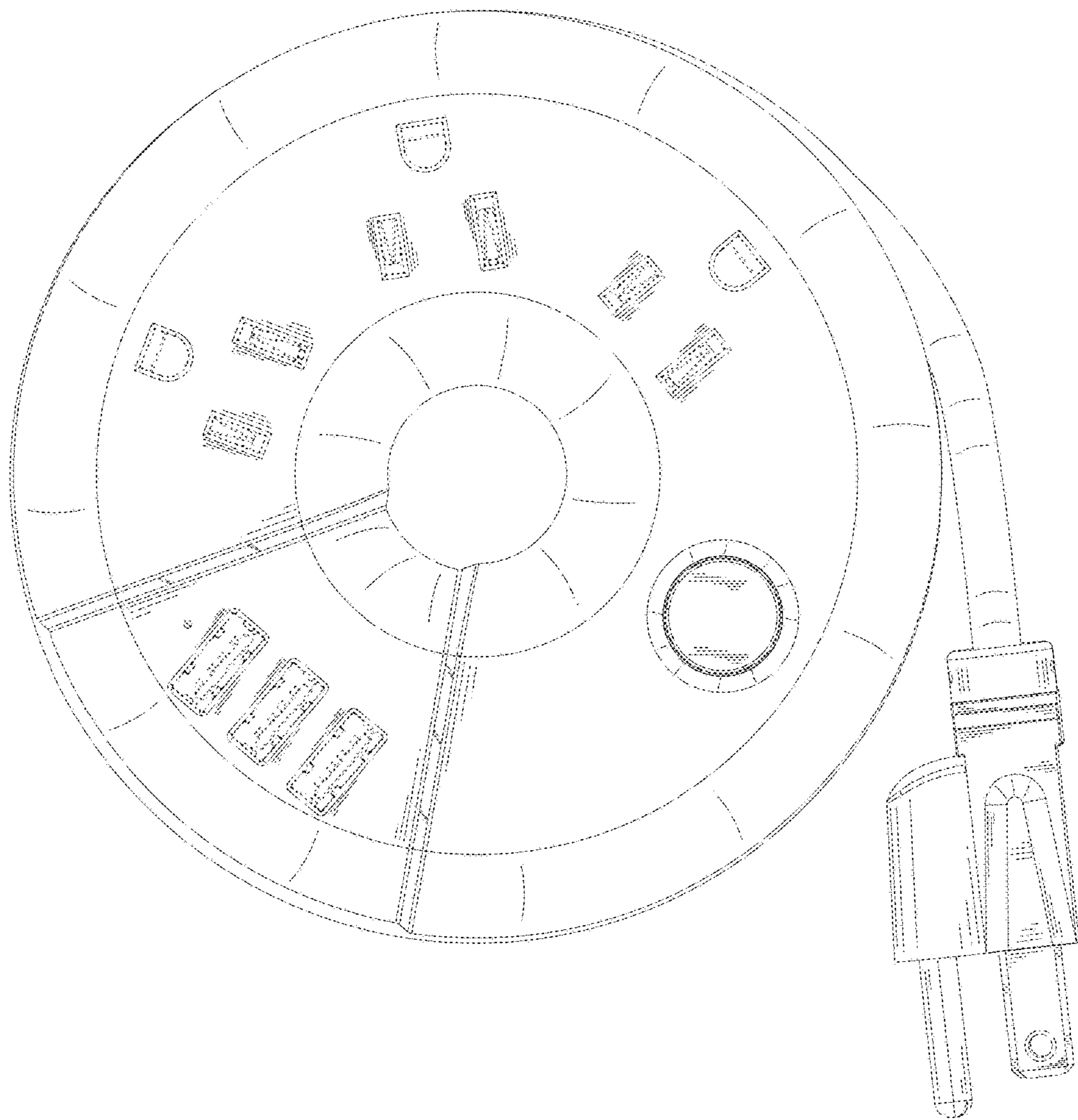


FIG. 3

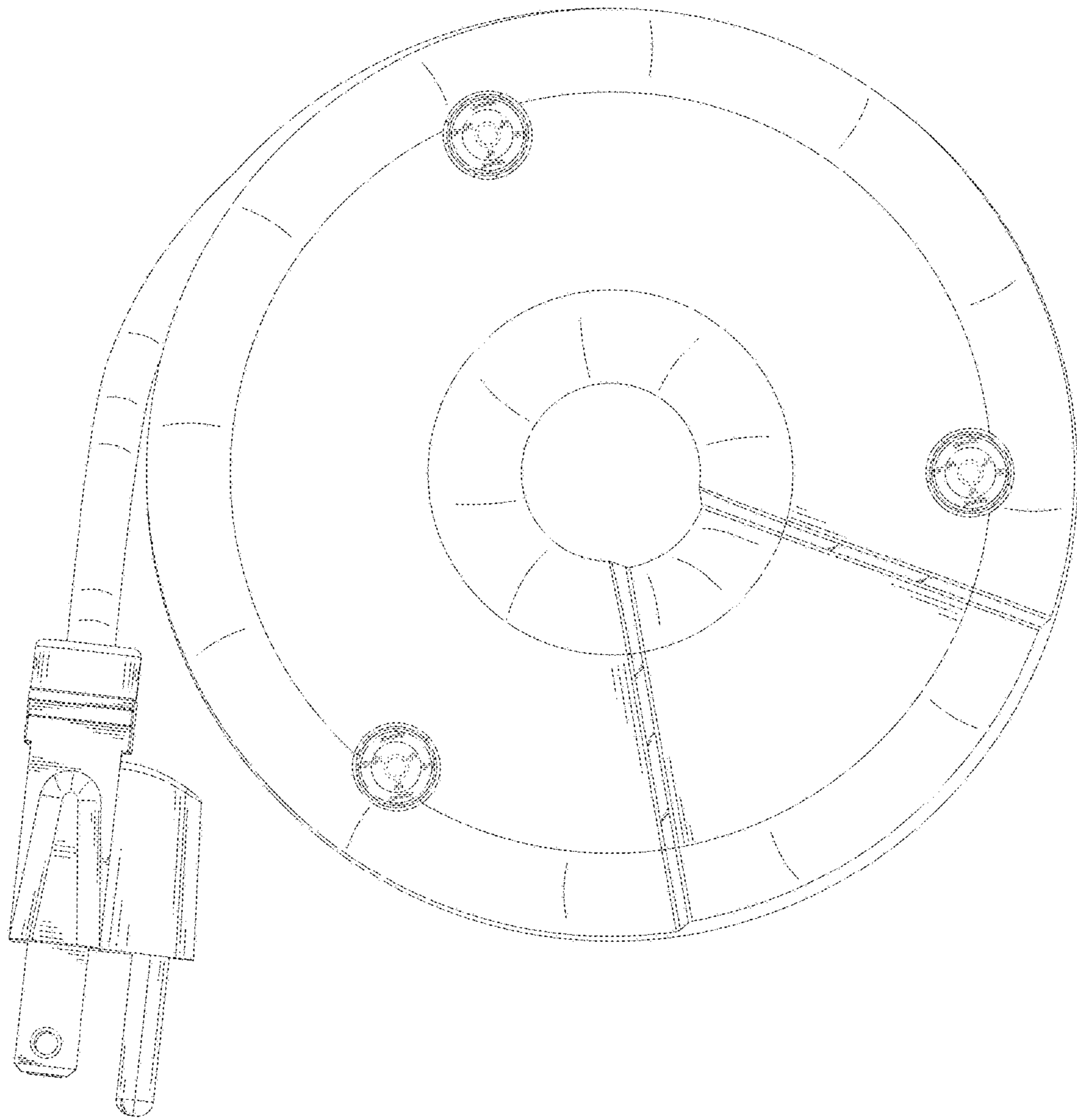


FIG. 4

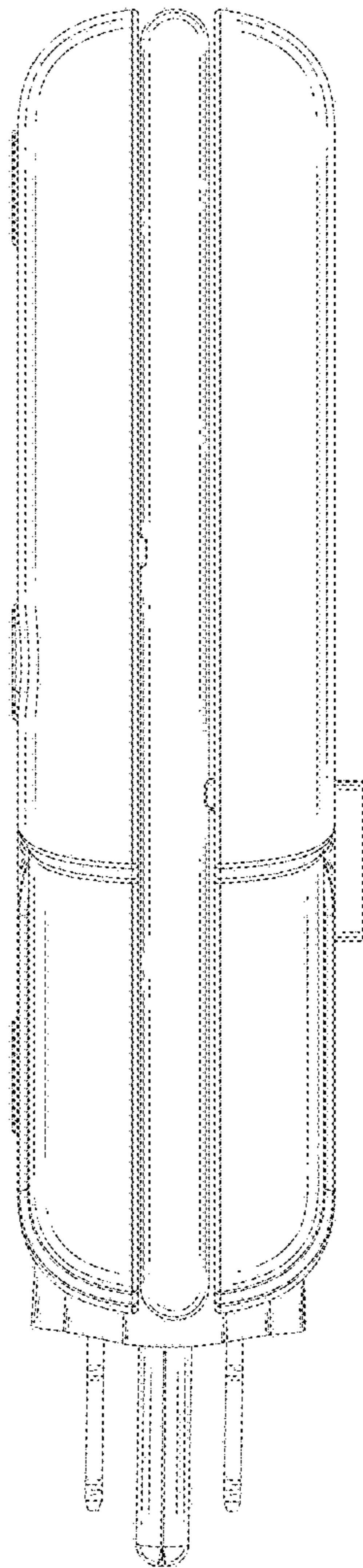


FIG. 5

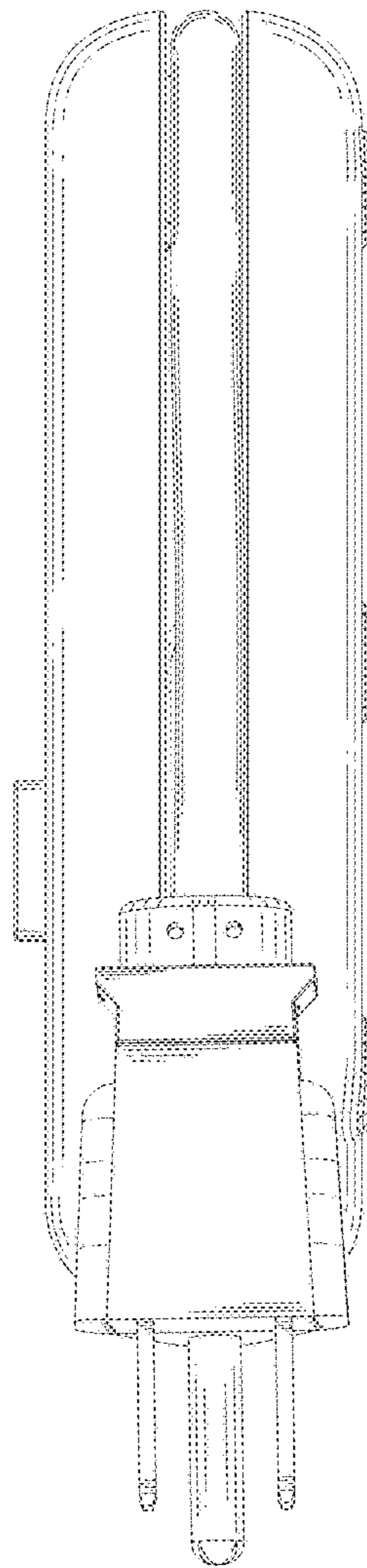


FIG. 6

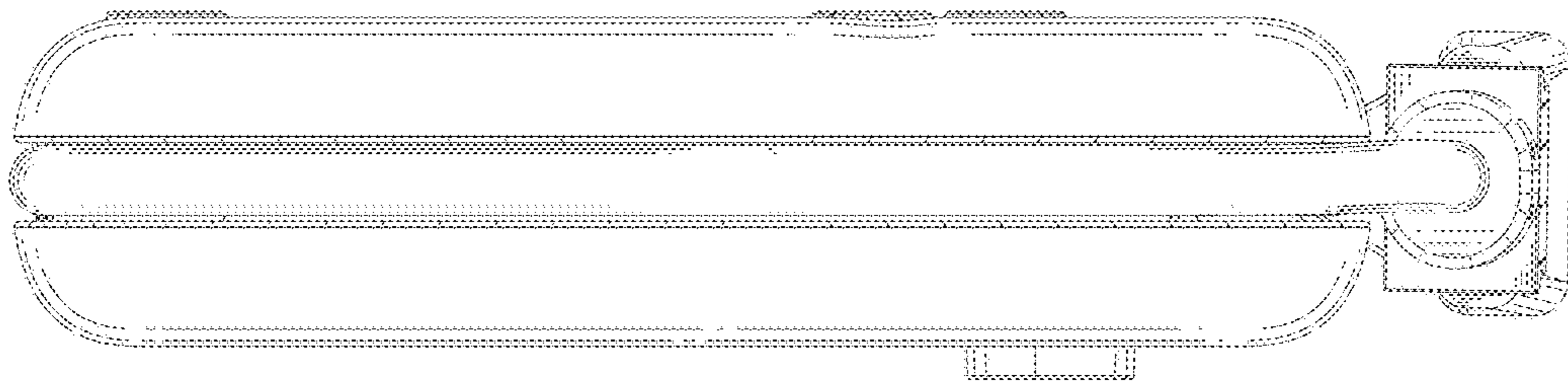


FIG. 7

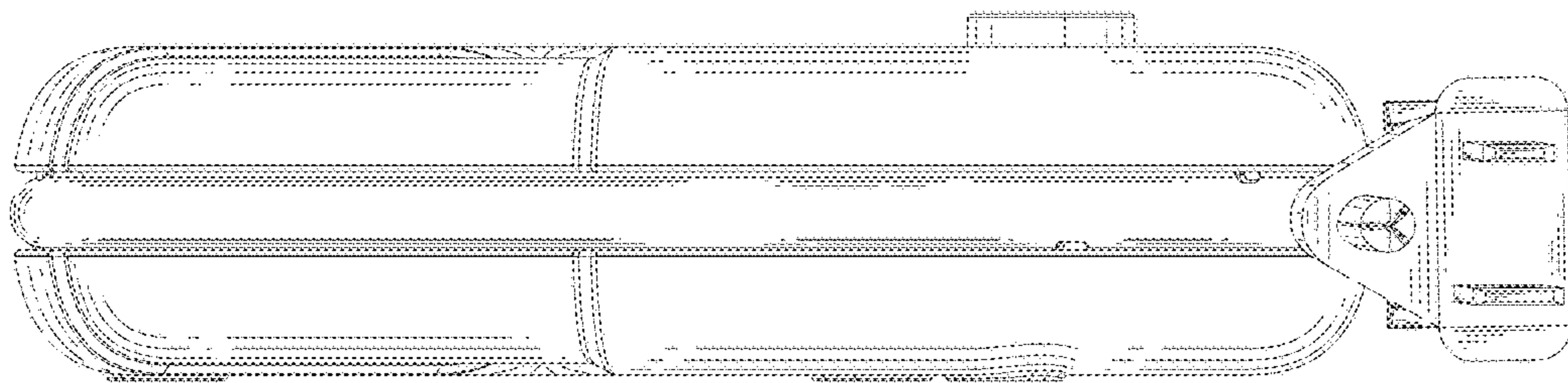


FIG. 8