

US00D845901S

(12) **United States Design Patent**
Chen

(10) **Patent No.:** **US D845,901 S**

(45) **Date of Patent:** **** Apr. 16, 2019**

(54) **POWER SOCKET**

(71) Applicant: **Guangdong Yingshi Technology Co., Ltd.**, Dongguan, Guangdong (CN)

(72) Inventor: **Haifeng Chen**, Guangdong (CN)

(73) Assignee: **Guangdong Yingshi Technology Co., Ltd.**, Dongguan, Guangdong (CN)

(**) Term: **15 Years**

(21) Appl. No.: **29/631,857**

(22) Filed: **Jan. 3, 2018**

(51) **LOC (11) Cl.** **13-03**

(52) **U.S. Cl.**
USPC **D13/137.2**

(58) **Field of Classification Search**
USPC D13/108, 110, 123, 133, 137.1–137.4,
D13/138.1–138.2, 139.1–139.8, 152, 154;
D14/433
CPC .. H01R 25/00; H01R 25/006; H01R 13/6675;
H01R 13/10; H01R 13/44; H01R 13/66;
H01R 13/652; H01R 31/065; H01R
31/00; H01R 11/00; H01R 9/00; H01H
2207/00; H01H 2207/022

See application file for complete search history.

(56) **References Cited**

U.S. PATENT DOCUMENTS

D665,354 S * 8/2012 Chen D13/138.1
D751,038 S * 3/2016 Lin D13/137.2

D755,127 S * 5/2016 Wong D13/137.2
D758,312 S * 6/2016 Lin D13/137.2
D830,307 S * 10/2018 Liu D13/137.2
D835,042 S * 12/2018 Qiu D13/137.2

* cited by examiner

Primary Examiner — Rosemary K Tarcza

Assistant Examiner — Christy M Nemeth

(74) *Attorney, Agent, or Firm* — Joe Zheng

(57) **CLAIM**

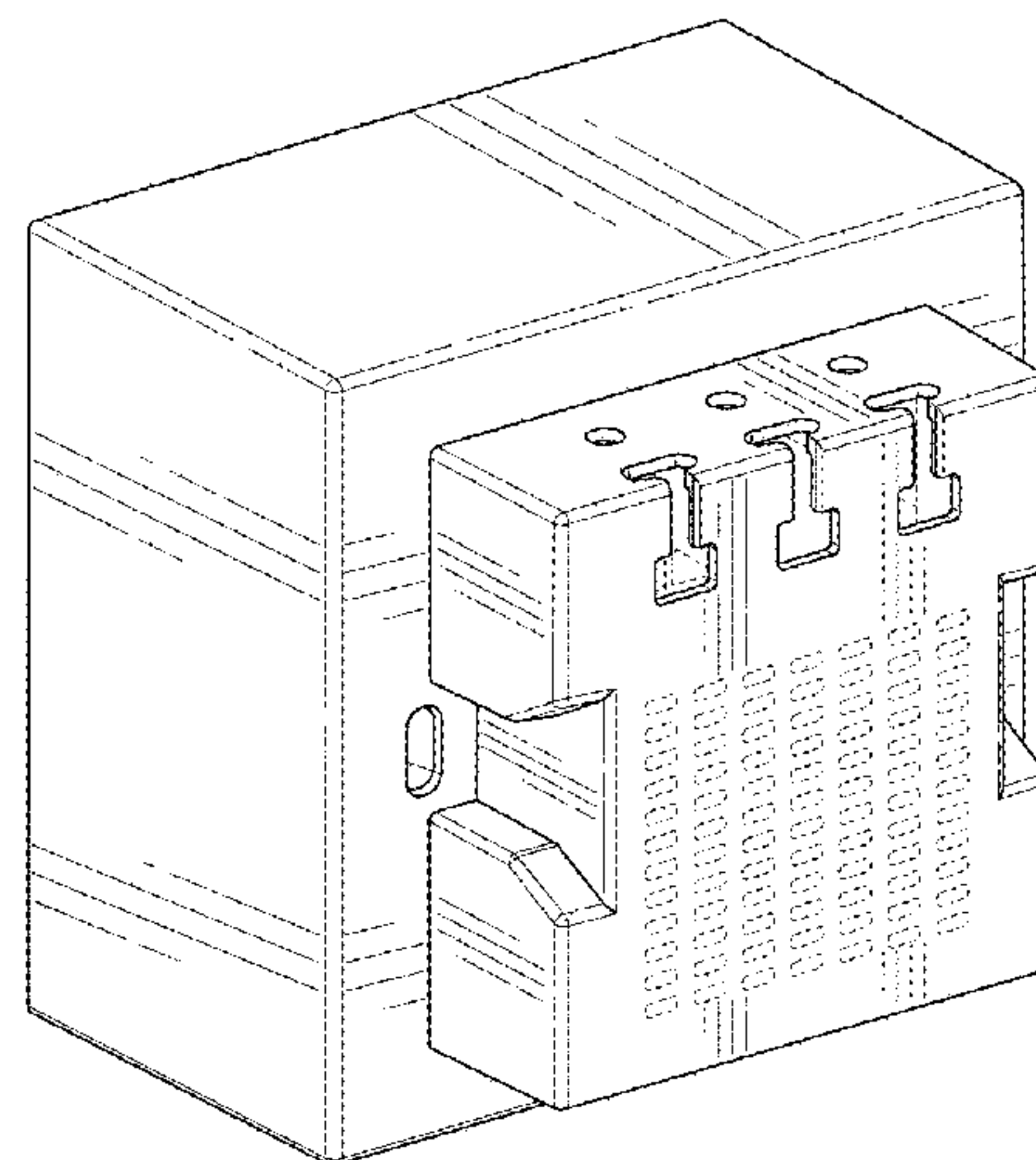
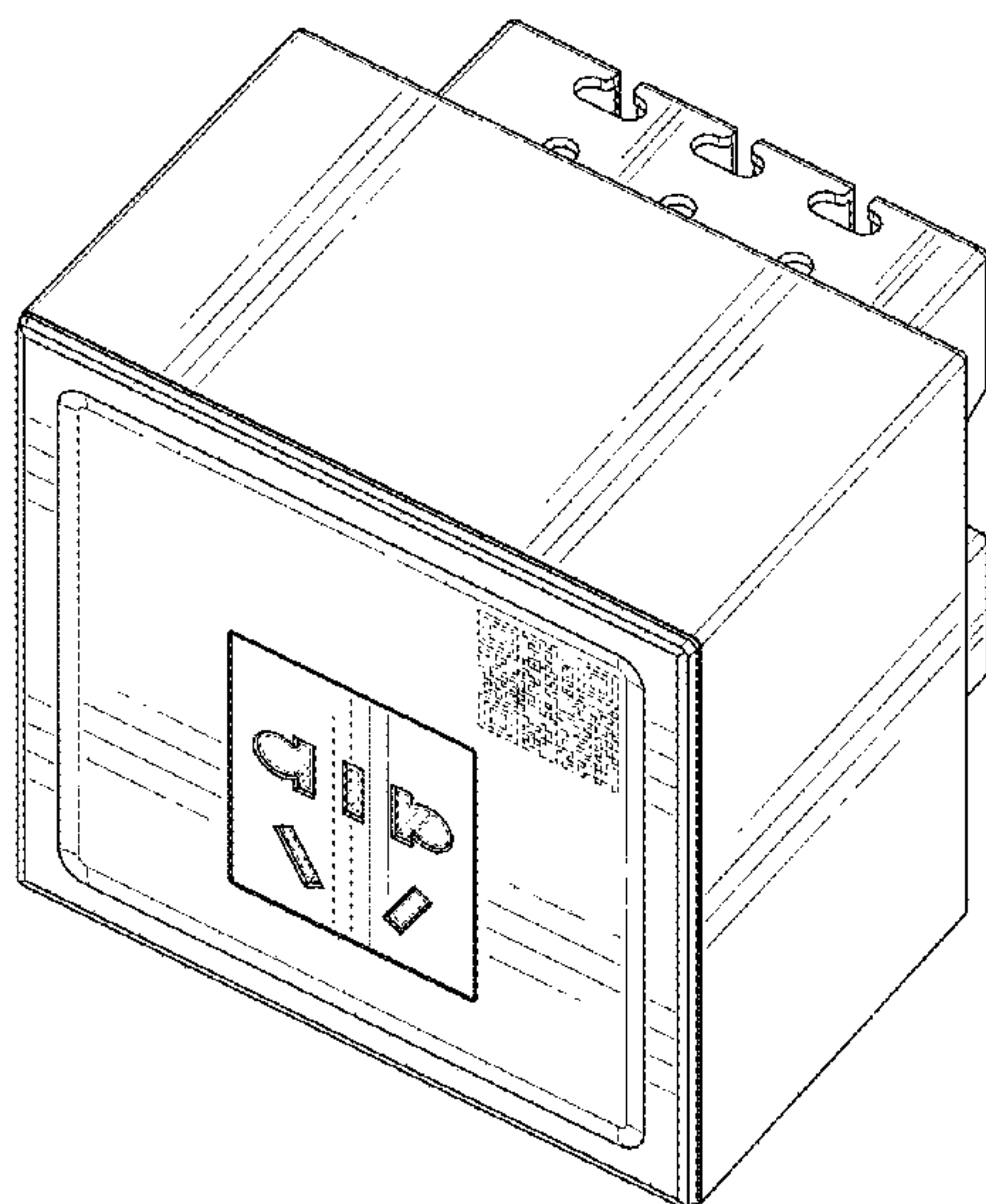
I claim the ornamental design for a power socket, as shown and described.

DESCRIPTION

FIG. 1 is a front perspective view of a power socket incorporating my new design;
FIG. 2 is a rear perspective view of the power socket;
FIG. 3 is a front view thereof;
FIG. 4 is a rear view thereof;
FIG. 5 is a right view thereof;
FIG. 6 is a left view thereof;
FIG. 7 is a bottom view thereof; and,
FIG. 8 is a top view thereof.

The broken lines in the drawings are for the purpose of illustrating portions of the power socket that form no part of the claimed design.

1 Claim, 5 Drawing Sheets



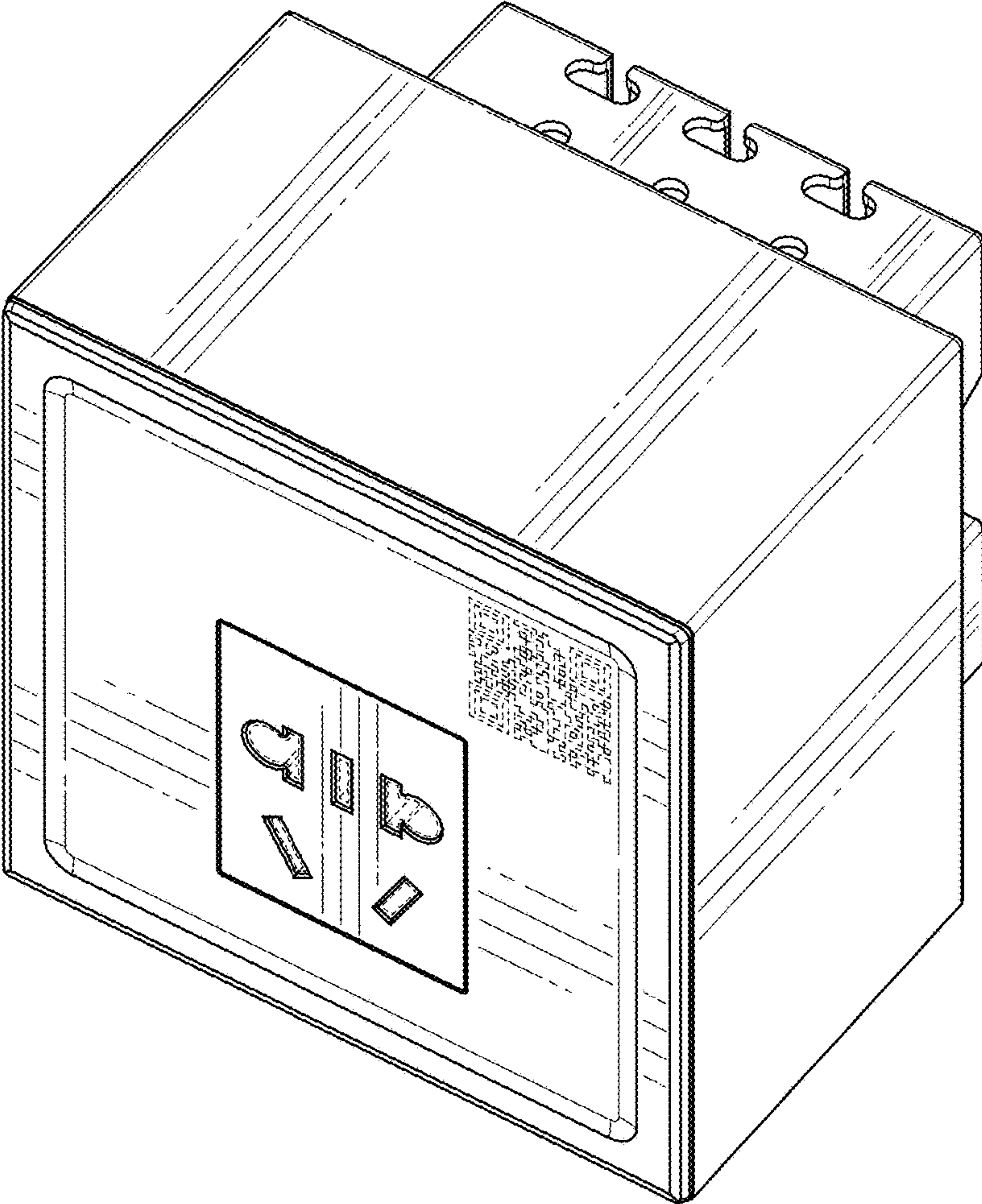


FIG. 1

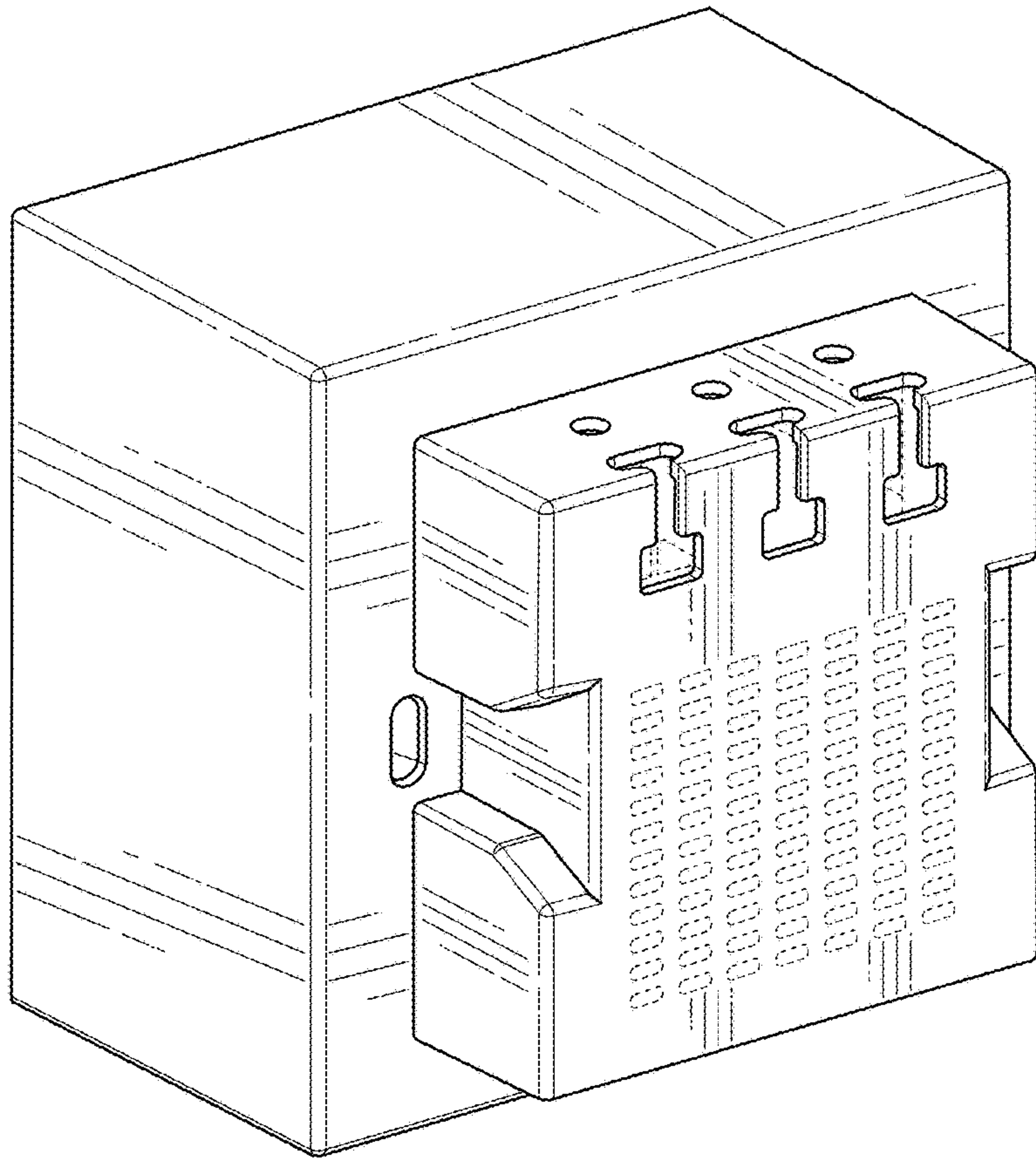


FIG. 2

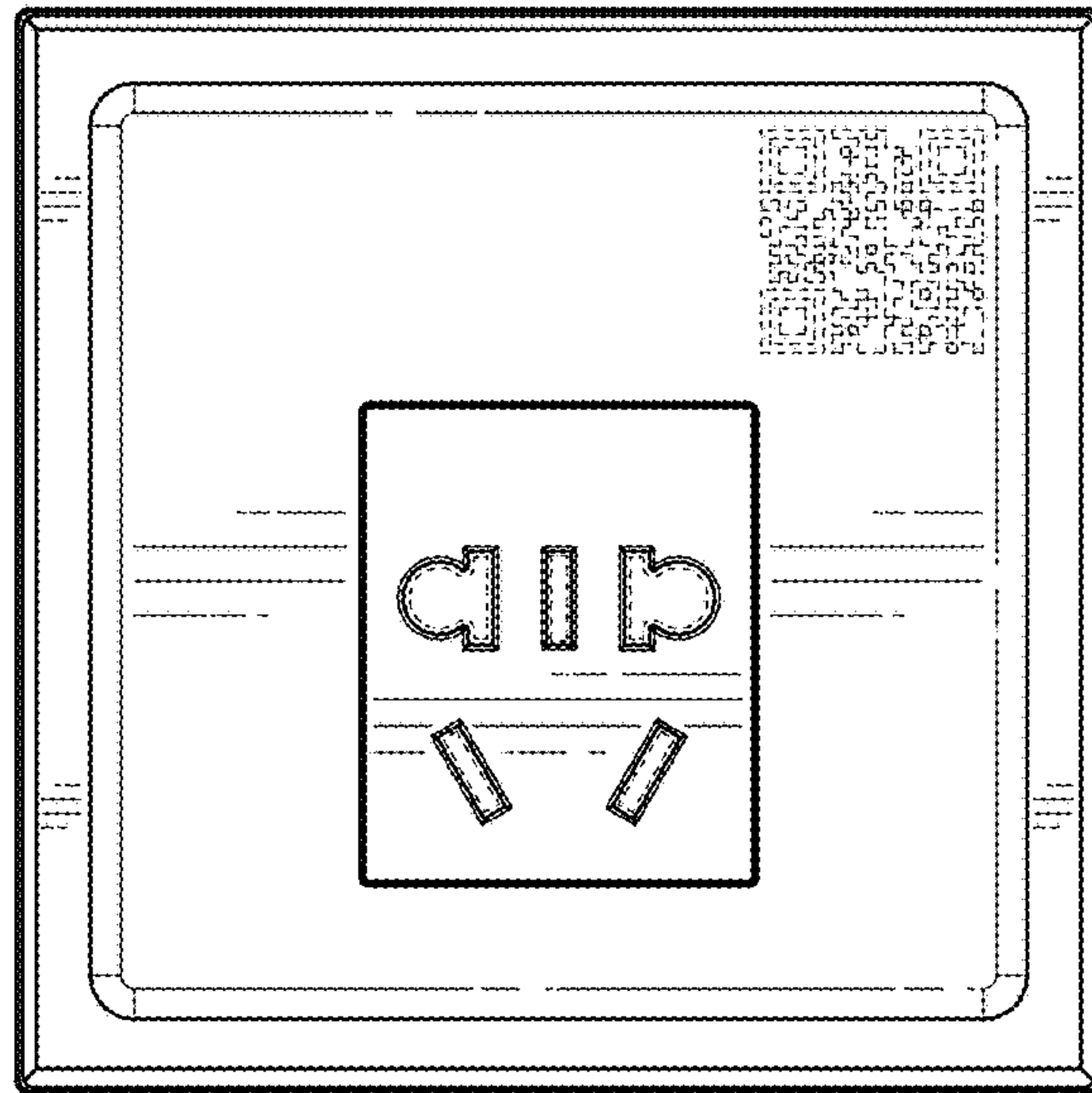


FIG. 3

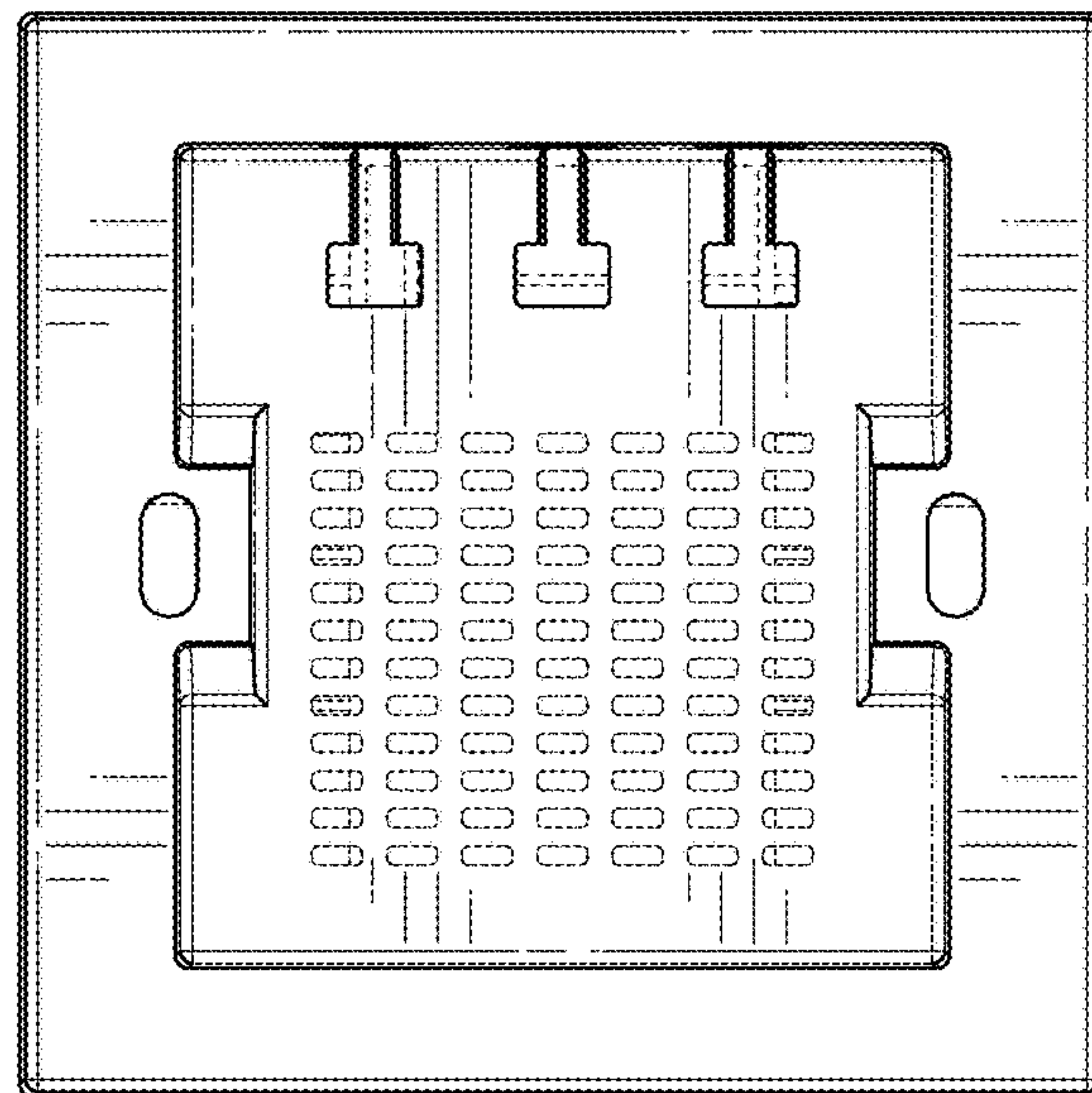


FIG. 4

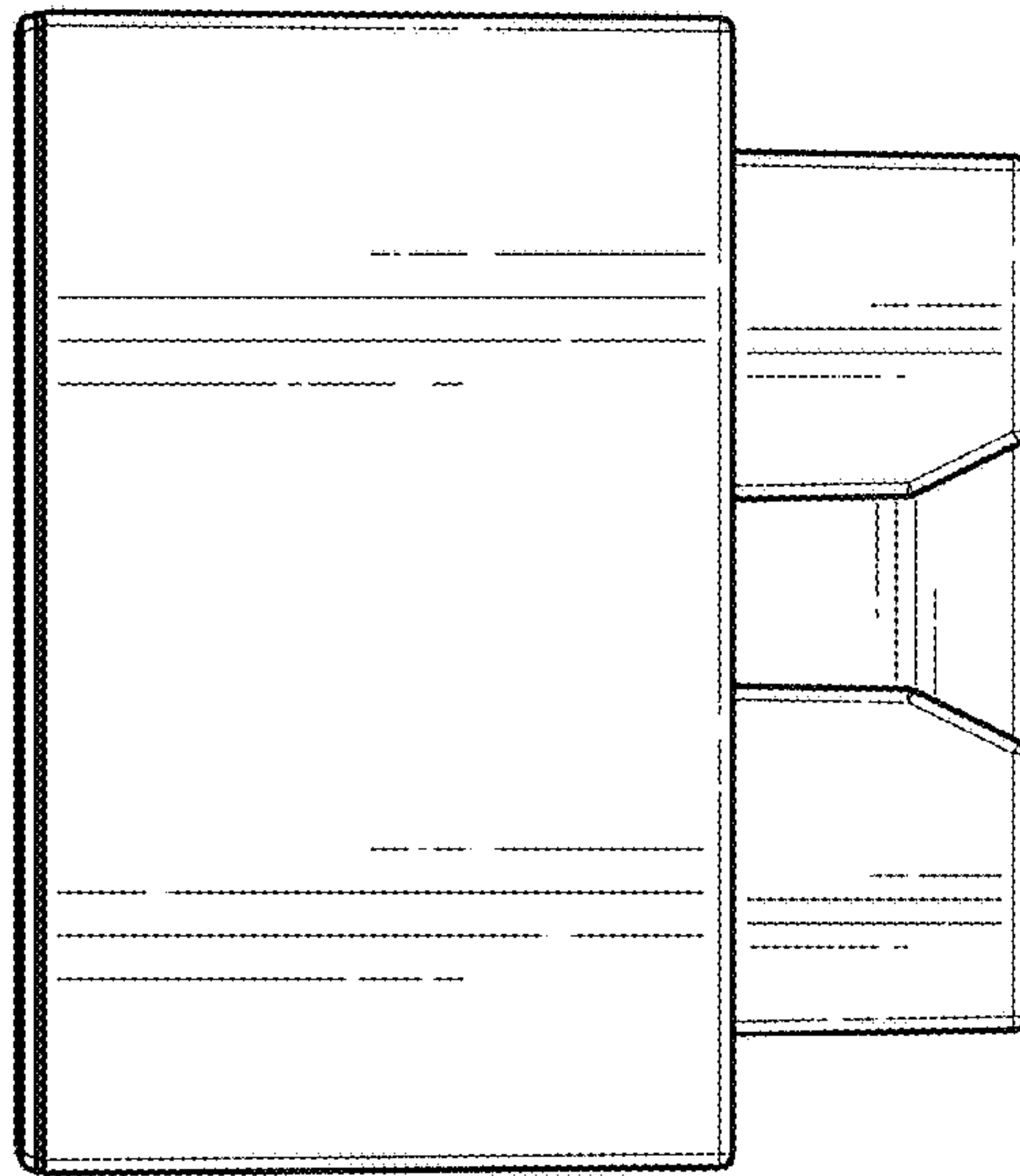


FIG. 5

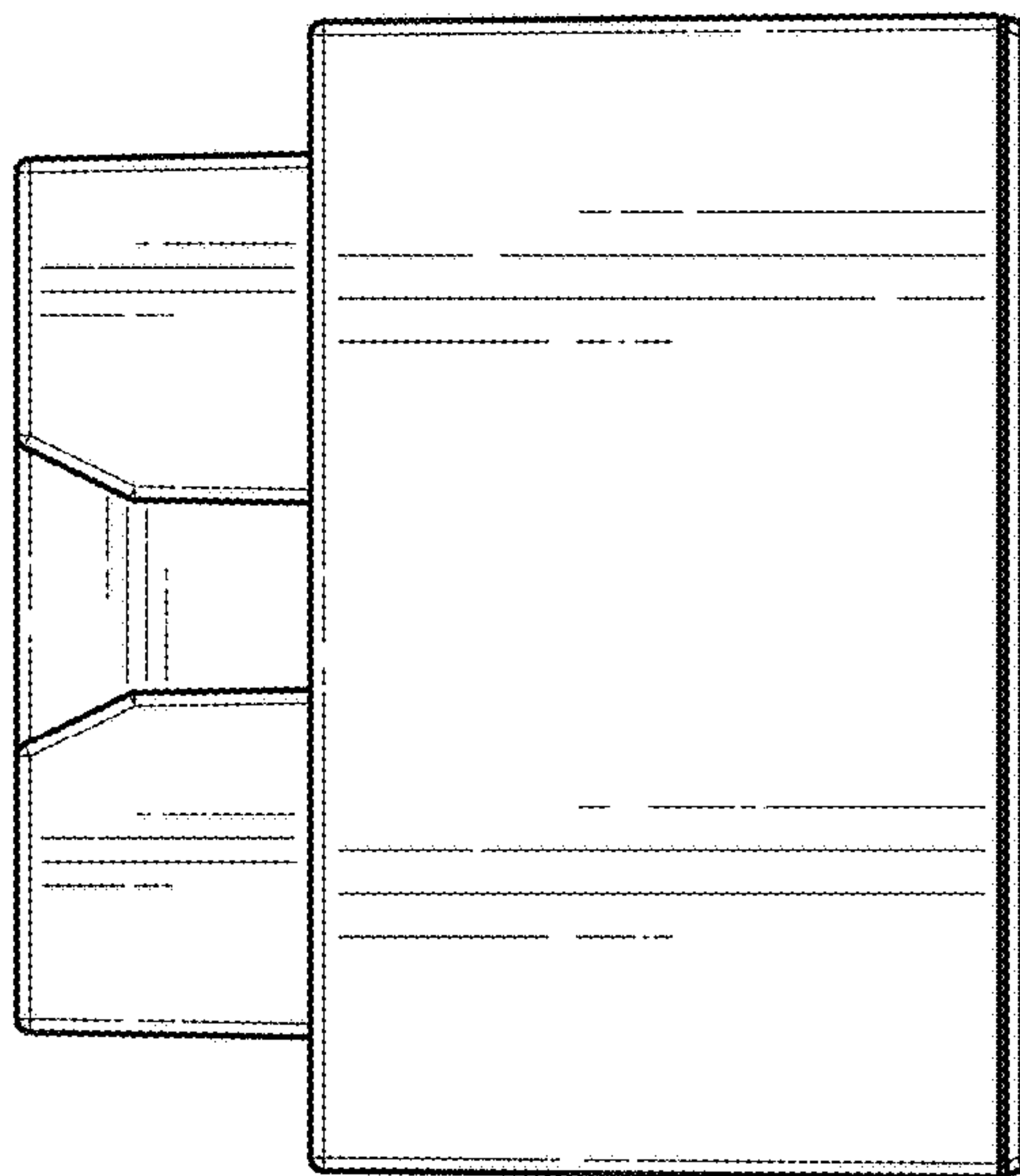


FIG. 6

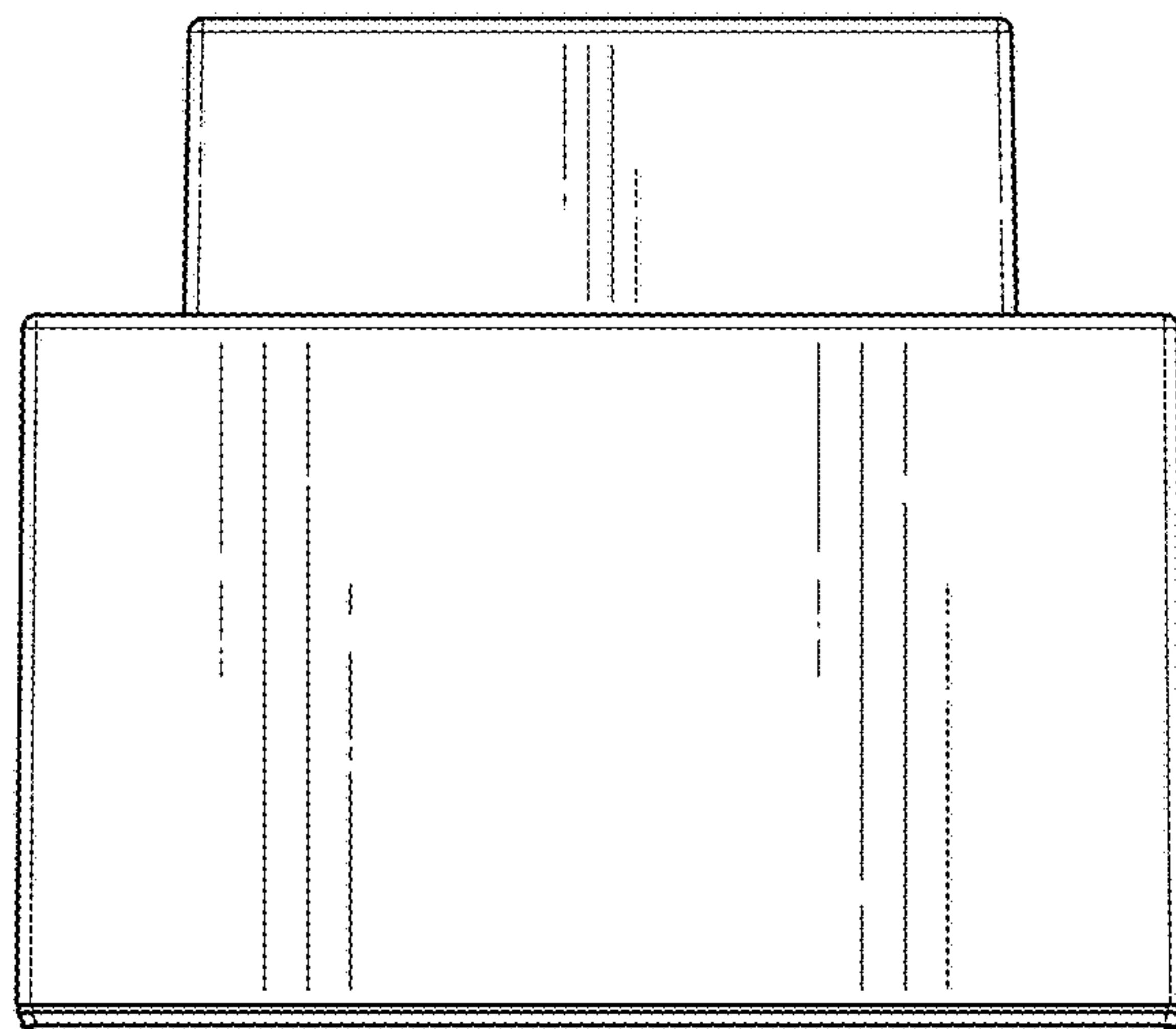


FIG. 7

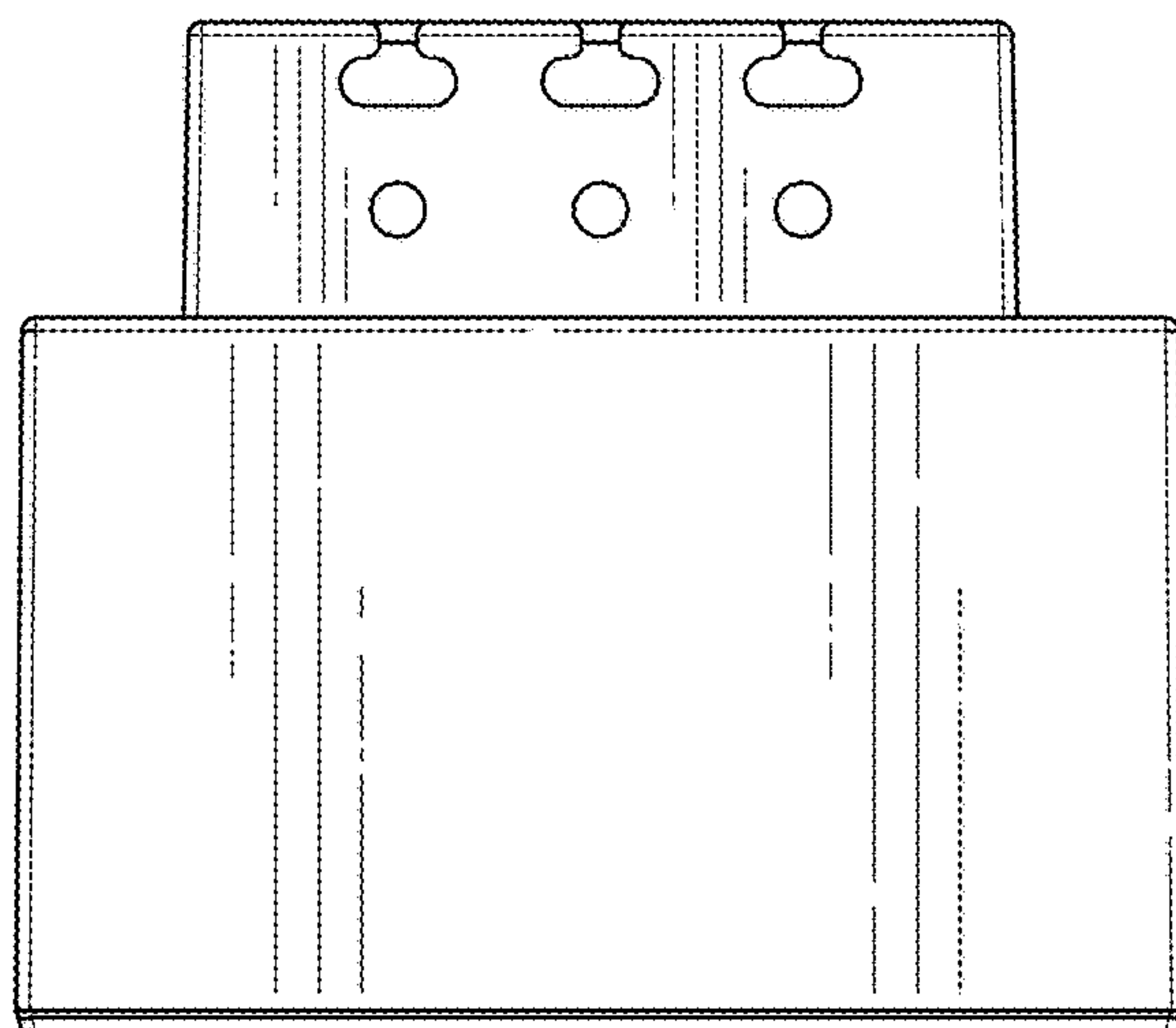


FIG. 8