



(12) **United States Design Patent**
Liu

(10) **Patent No.:** **US D845,900 S**
(45) **Date of Patent:** **** Apr. 16, 2019**

(54) **SOCKET**

(71) Applicant: **SHENZHEN GOTODO TECHNOLOGY CO., LTD.**, Shenzhen (CN)

(72) Inventor: **Zhen-Lei Liu**, Shenzhen (CN)

(**) Term: **15 Years**

(21) Appl. No.: **29/631,047**

(22) Filed: **Dec. 27, 2017**

(51) **LOC (11) Cl.** **13-03**

(52) **U.S. Cl.**
USPC **D13/137.2**

(58) **Field of Classification Search**
USPC D13/137.1–137.4, 138.1–138.2,
D13/139.1–139.8, 152–154, 108, 110,
D13/123, 133, 146, 147, 156, 158, 160;
D14/433, 434
CPC .. H01R 25/00; H01R 25/006; H01R 13/6675;
H01R 13/44; H01R 13/627; H01R
13/447; H01R 13/73; H01R 13/66; H01R
13/60
See application file for complete search history.

(56) **References Cited**

U.S. PATENT DOCUMENTS

D694,713 S	*	12/2013	Yeo	D13/137.1
D756,303 S	*	5/2016	Kellenberger	D13/137.1
D807,827 S	*	1/2018	Lu	D13/137.2
D820,212 S	*	6/2018	Stern	D13/137.2

OTHER PUBLICATIONS

Amazon.com: fiezkaa Wifi Smart Plug Mini Socket Outlets. Published Apr. 24, 2018. Retrieved from the internet at <<https://www.amazon.com/Socket-Outlets-Compatible-Google-Assistant/dp/B07CMNHF9#customerReviews>>, Jul. 21, 2018. 1 page. (Year: 2018).*

* cited by examiner

Primary Examiner — Rosemary K Tarcza
Assistant Examiner — Christy M Nemeth
(74) *Attorney, Agent, or Firm* — W&K IP (Wayne & King)

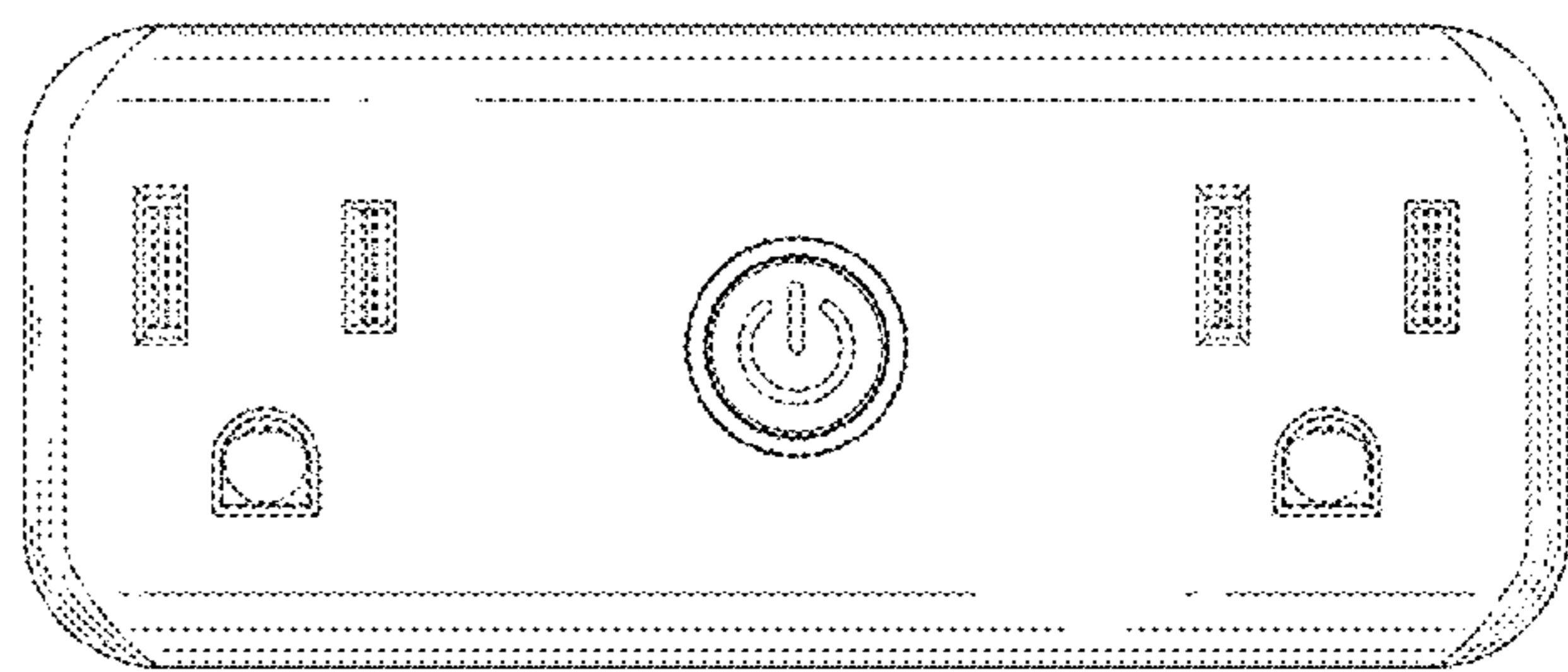
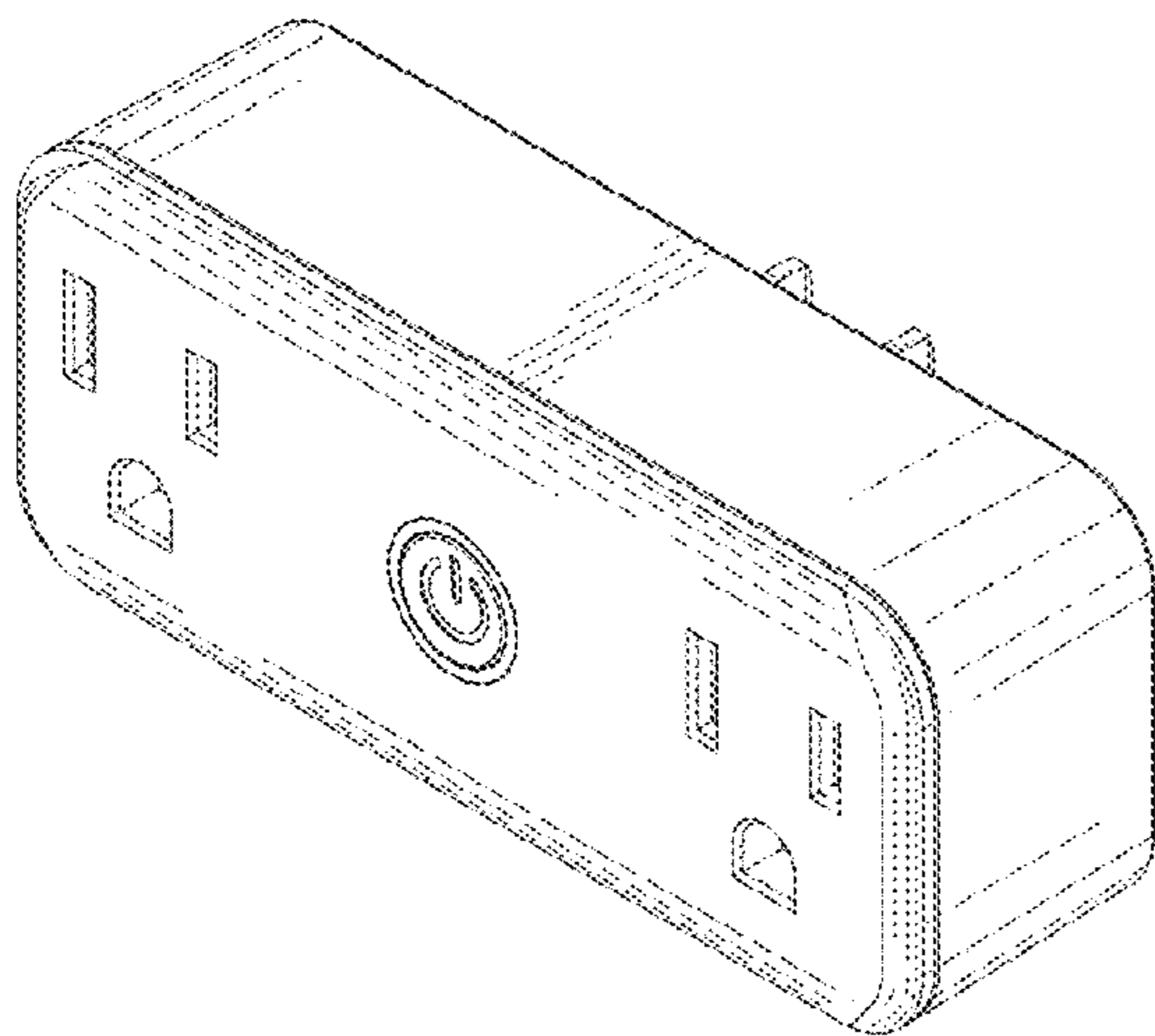
(57) **CLAIM**

The ornamental design for a socket, as shown and described.

DESCRIPTION

FIG. 1 is a front perspective view of a socket, showing my new design;
FIG. 2 is a front elevational view thereof;
FIG. 3 is a rear elevational view thereof;
FIG. 4 is a left side elevational view thereof;
FIG. 5 is a right side elevational view thereof;
FIG. 6 is a top plan view thereof; and,
FIG. 7 is a bottom plan view thereof.
The broken lines shown in the figures are included for the purpose of illustrating portions of the socket which form no part of the claimed design.

1 Claim, 7 Drawing Sheets



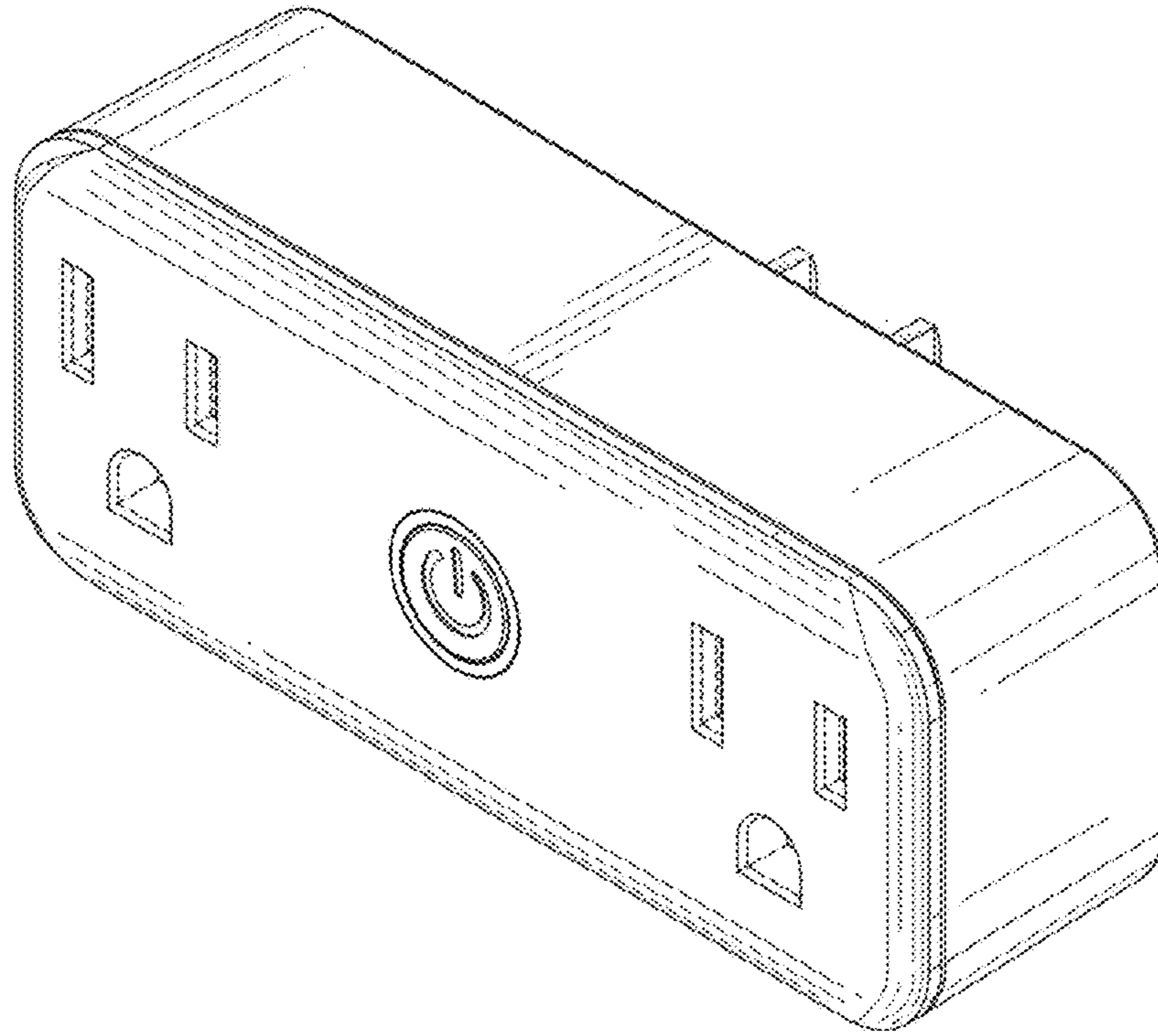


FIG.1

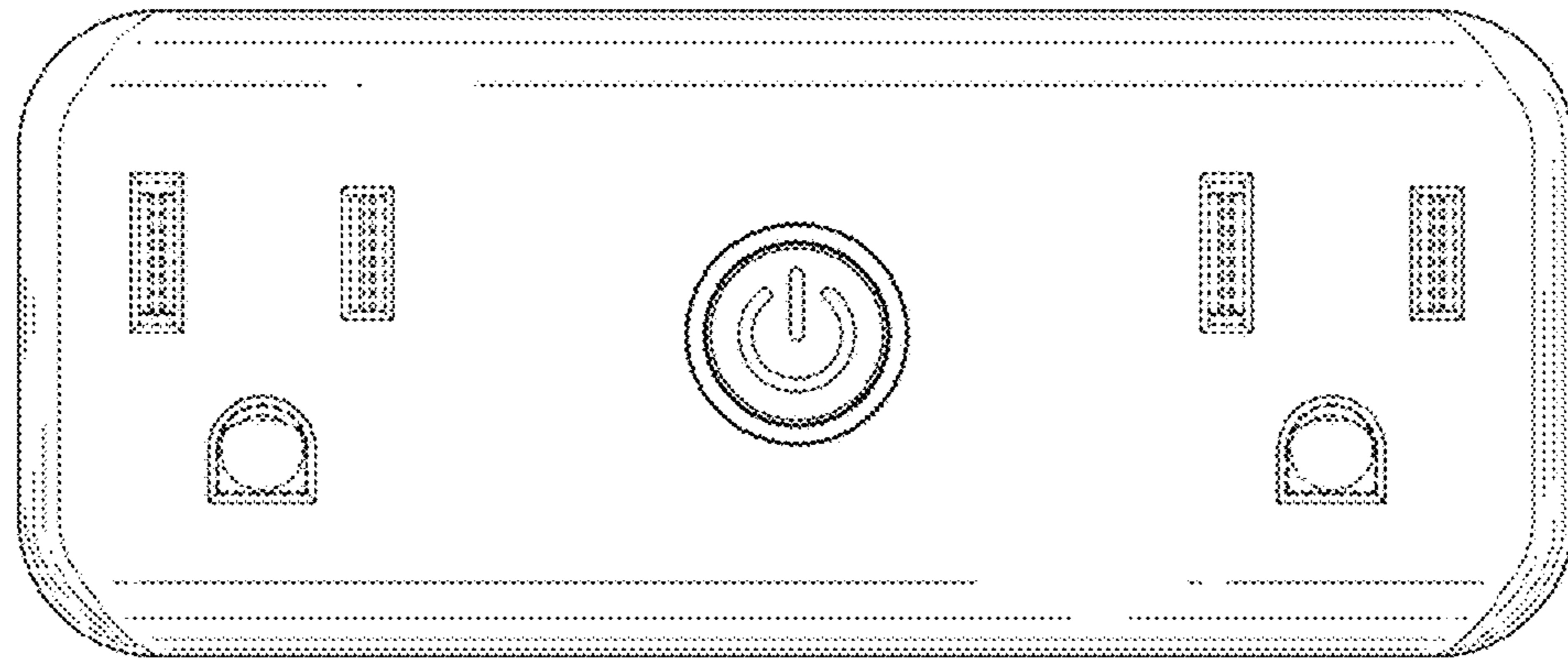


FIG.2

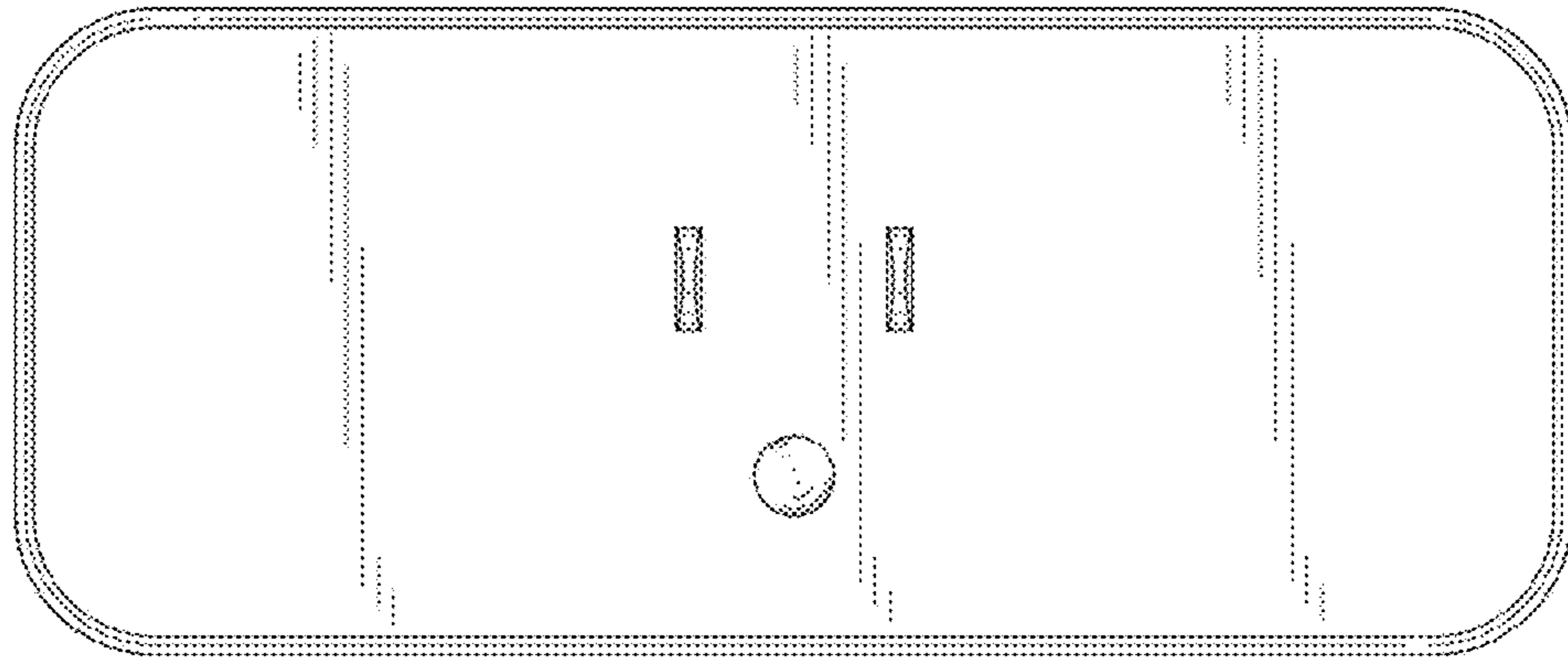


FIG.3

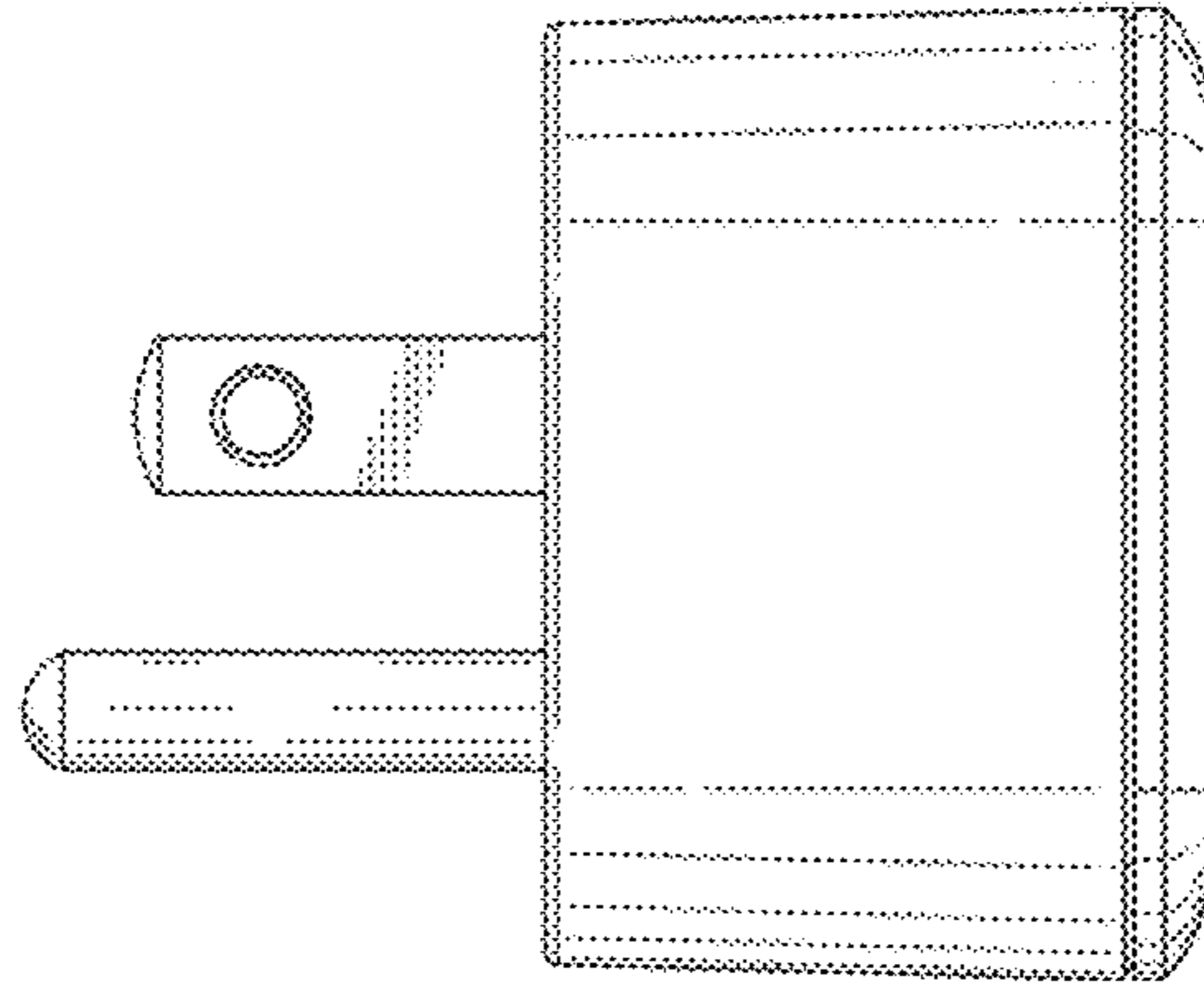


FIG.4

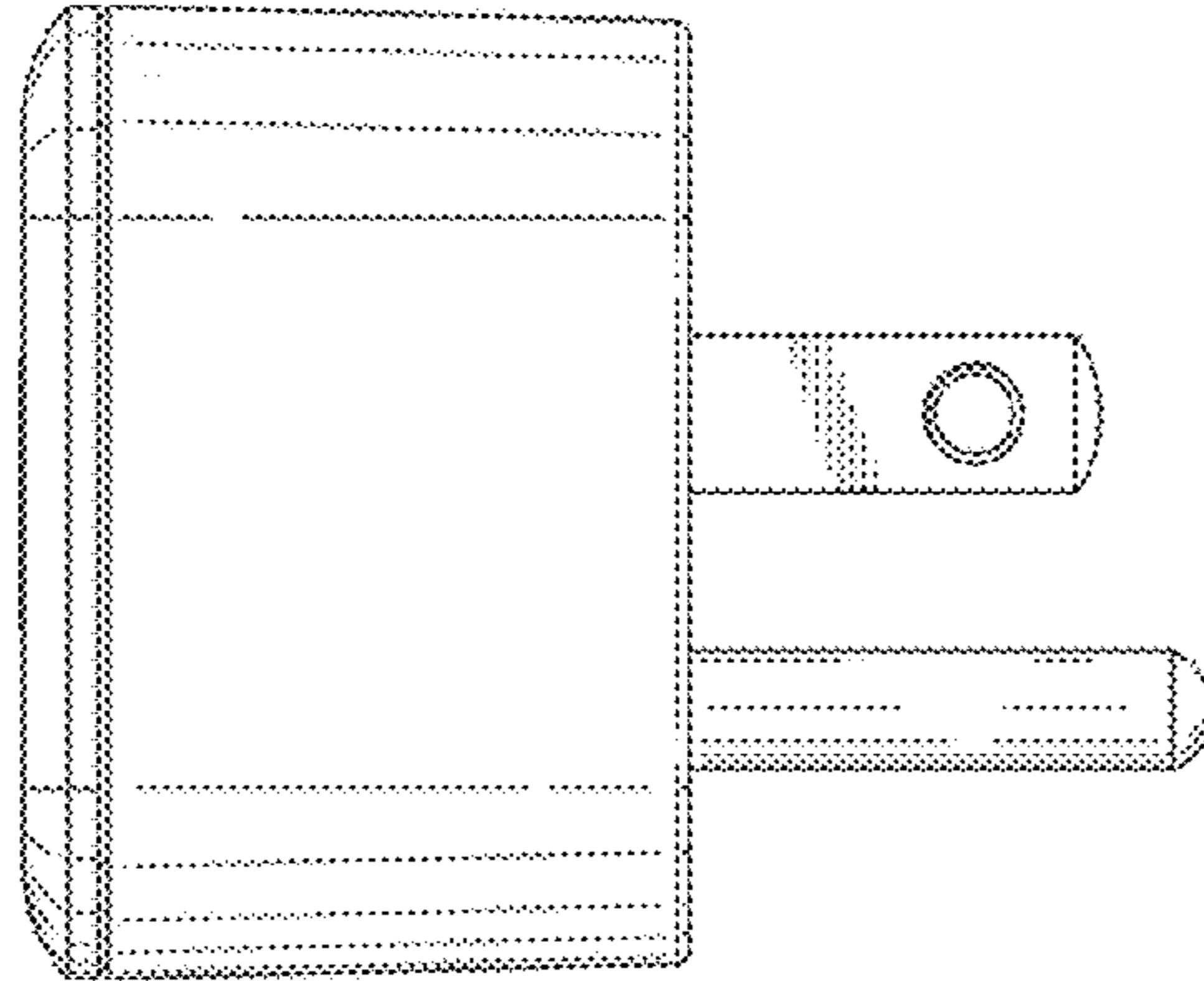


FIG.5

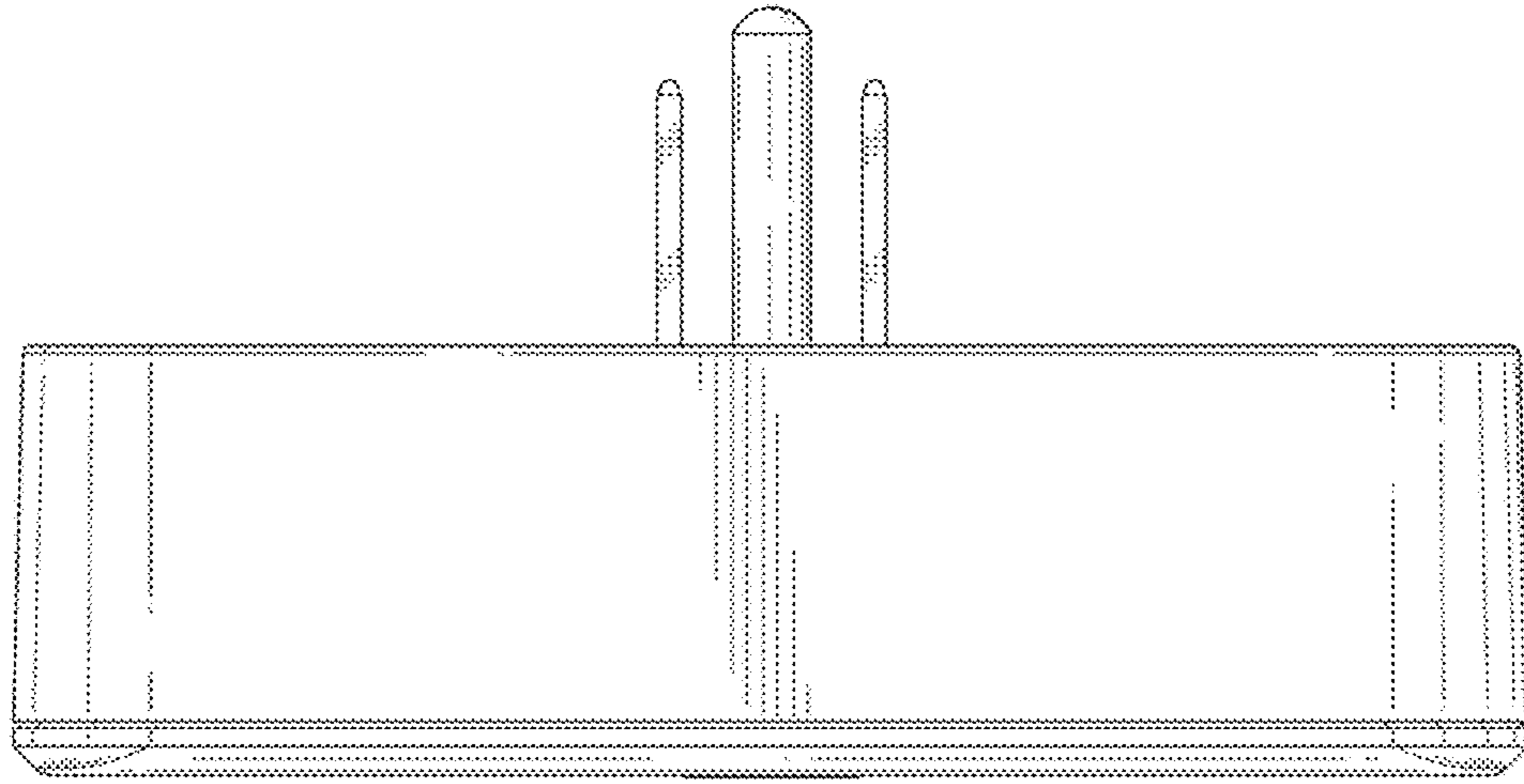


FIG.6

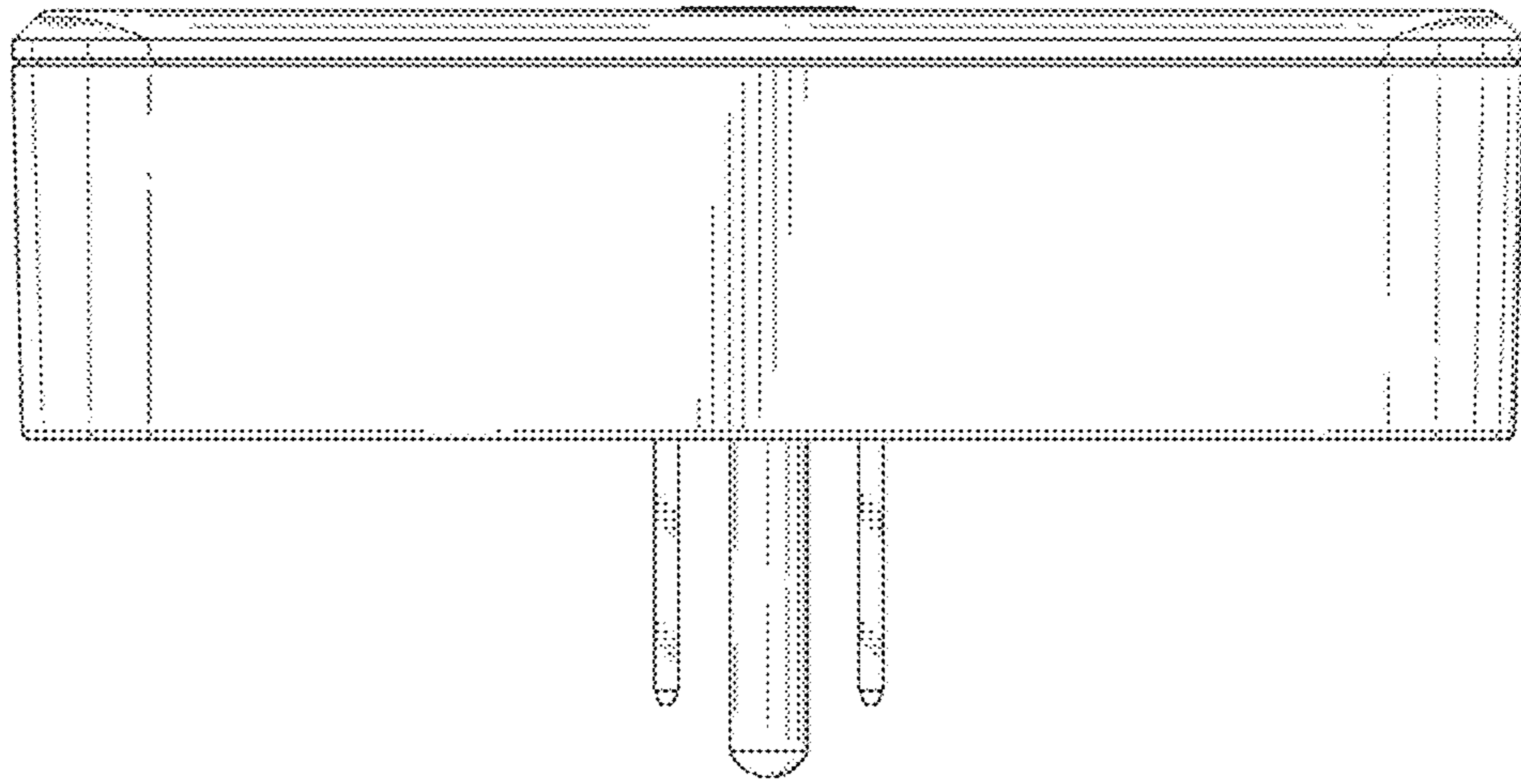


FIG.7