



US00D845898S

(12) **United States Design Patent**  
**Laffon de Mazieres et al.**

(10) **Patent No.:** **US D845,898 S**  
(45) **Date of Patent:** **\*\* Apr. 16, 2019**

(54) **POWER ADAPTER**

(71) Applicant: **Amazon Technologies, Inc.**, Seattle, WA (US)

(72) Inventors: **Emmanuel JM Laffon de Mazieres**, Burlingame, CA (US); **Marc Rene Walliser**, San Francisco, CA (US); **Christopher Green**, San Francisco, CA (US)

(73) Assignee: **Amazon Technologies, Inc.**, Seattle, WA (US)

(\*\*) Term: **15 Years**

(21) Appl. No.: **29/530,971**

(22) Filed: **Jun. 22, 2015**

**Related U.S. Application Data**

(62) Division of application No. 29/430,011, filed on Aug. 20, 2012, now Pat. No. Des. 732,472.

(51) **LOC (11) Cl.** ..... **13-02**

(52) **U.S. Cl.**  
USPC ..... **D13/110**

(58) **Field of Classification Search**  
USPC .... D13/110, 103, 107, 108, 118, 119, 138.1, D13/138.2, 139.1, 139.2, 184, 199; D14/253, 432, 433, 434; 320/107-115; 439/103, 104, 105, 131, 172  
CPC ... H02J 7/02; H02J 7/022; H02J 7/042; H01R 25/00; H01R 25/003; H01R 13/44; H01R 27/00; Y02E 60/12  
See application file for complete search history.

(56) **References Cited**

**U.S. PATENT DOCUMENTS**

D105,216 S 7/1937 Herman  
D258,429 S 3/1981 Buckler  
4,543,624 A 9/1985 Rumble

D305,326 S 1/1990 Clayton, Jr.  
D338,188 S 8/1993 Lee et al.  
D350,113 S 8/1994 Nagele  
D367,257 S 2/1996 Buelow et al.  
5,648,712 A 7/1997 Hahn  
D383,115 S 9/1997 Nagele et al.

(Continued)

**OTHER PUBLICATIONS**

Canadian Office Action dated Nov. 1, 2013 for Canadian patent application No. 149719, a counterpart foreign application of U.S. Appl. No. 29/430,011, 2 pages.

(Continued)

*Primary Examiner* — Derrick E Holland

(74) *Attorney, Agent, or Firm* — Lee & Hayes, P.C.

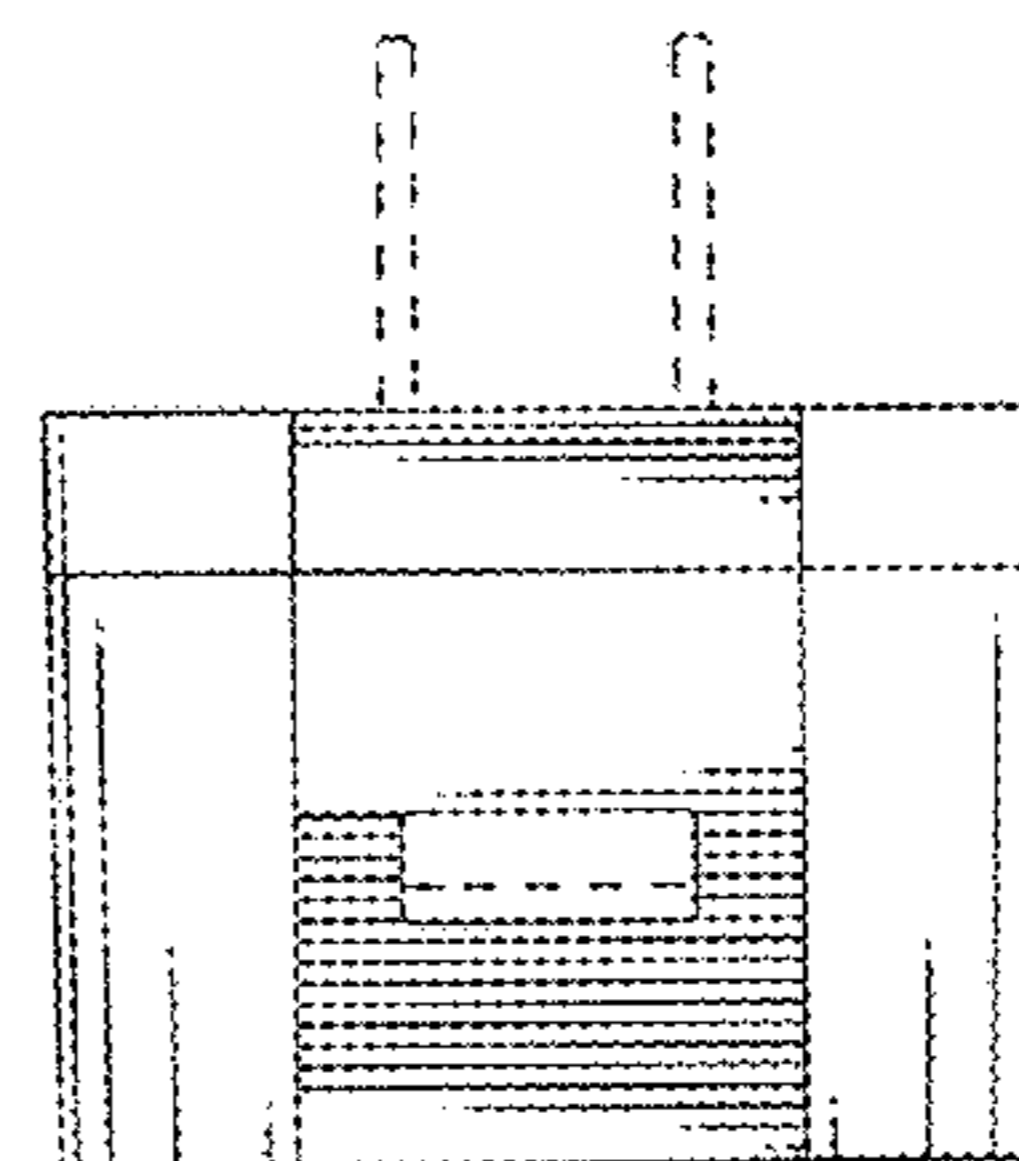
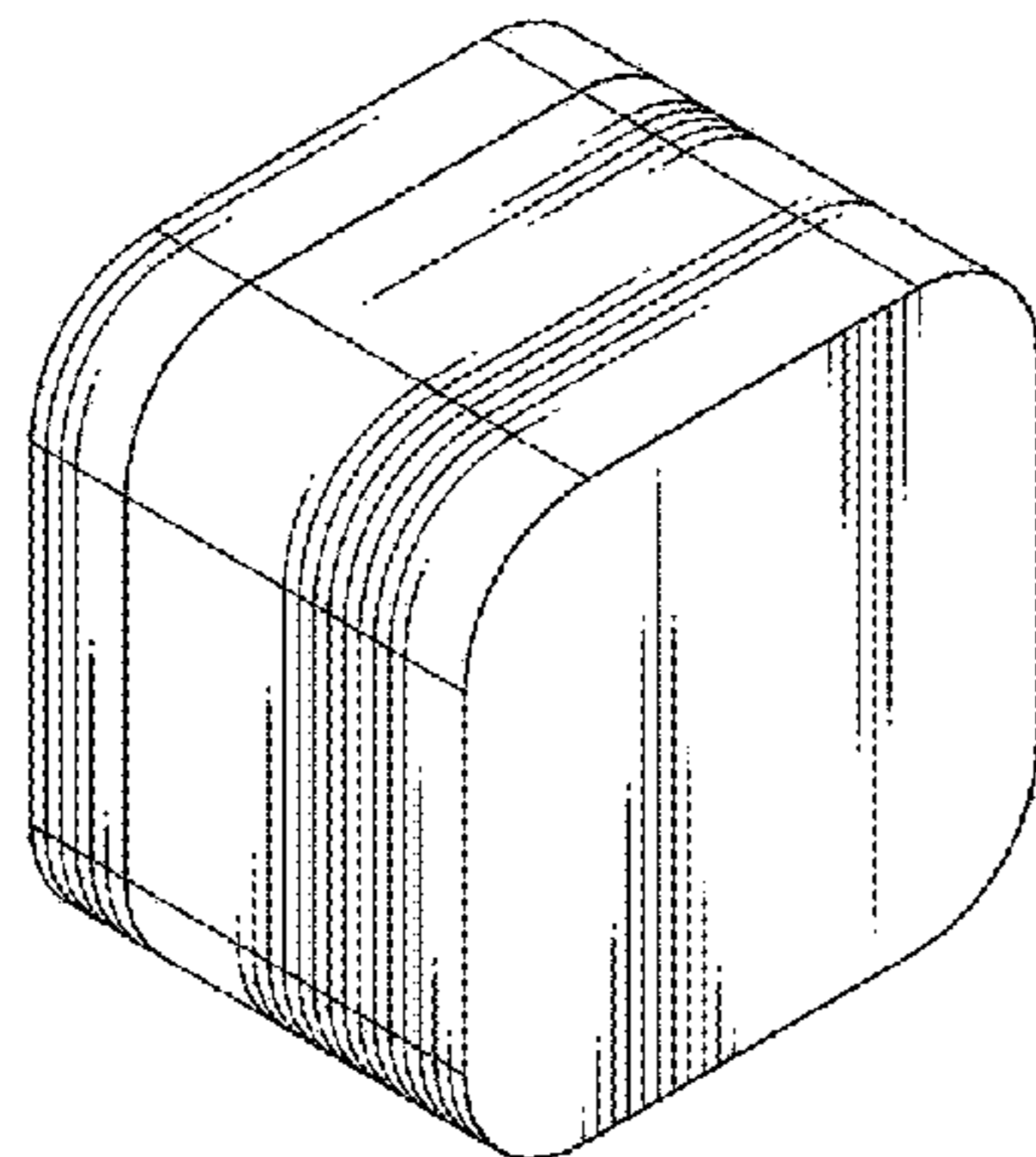
(57) **CLAIM**

The ornamental design for a power adapter, as shown and described.

**DESCRIPTION**

FIG. 1 is a perspective view of a power adapter; FIG. 2 is another perspective view of the power adapter of FIG. 1; FIG. 3 is yet another perspective view of the power adapter of FIG. 1; FIG. 4 is a bottom plan view of the power adapter of FIG. 1; FIG. 5 is a front elevation view of the power adapter of FIG. 1; FIG. 6 is a right-side elevation view of the power adapter of FIG. 1, the left-side elevation view of the power adapter of FIG. 1 being a mirror image of FIG. 6; FIG. 7 is a back elevation view of the power adapter of FIG. 1; and, FIG. 8 is a top plan view of the power adapter of FIG. 1. The broken lines in the figures illustrate the portions of the power adapter that form no part of the claimed design.

**1 Claim, 2 Drawing Sheets**



(56)

References Cited

U.S. PATENT DOCUMENTS

5,684,689 A 11/1997 Hahn  
 5,744,934 A 4/1998 Wu  
 D400,174 S 10/1998 Shatkin  
 D406,259 S 3/1999 Lindahl  
 5,973,948 A 10/1999 Hahn et al.  
 D416,226 S 11/1999 Lohrding et al.  
 6,030,247 A \* 2/2000 Sasahara ..... H01R 13/20  
 439/332  
 6,086,395 A 7/2000 Lloyd et al.  
 D432,497 S 10/2000 Totsuka et al.  
 D434,378 S 11/2000 Ullmann  
 D436,078 S \* 1/2001 Korte ..... D13/134  
 D446,499 S 8/2001 Andre et al.  
 D449,030 S 10/2001 Baxter et al.  
 D452,842 S 1/2002 Kajiwara et al.  
 D456,008 S 4/2002 Kawanobe et al.  
 D463,366 S 9/2002 MacKay  
 D474,739 S 5/2003 Chang  
 D478,310 S 8/2003 Andre et al.  
 D484,853 S 1/2004 Alviar  
 6,845,023 B2 1/2005 Philips et al.  
 D503,679 S 4/2005 Andre et al.  
 D573,946 S \* 7/2008 Ledbetter ..... D13/110  
 7,425,132 B2 9/2008 Yang et al.  
 D583,316 S 12/2008 Sade et al.  
 D601,500 S 10/2009 Green et al.  
 7,597,570 B2 10/2009 So  
 7,632,119 B1 12/2009 Ma et al.  
 7,658,625 B2 2/2010 Jubelirer et al.  
 D610,993 S 3/2010 Fahrendorff et al.  
 D623,136 S 9/2010 Andre et al.  
 D638,357 S \* 5/2011 Sasada ..... D13/110  
 D650,330 S \* 12/2011 Dong ..... D13/108  
 D651,975 S 1/2012 Smith et al.  
 D653,208 S 1/2012 Au  
 D653,213 S \* 1/2012 Andre ..... D13/138.1

D653,615 S \* 2/2012 Au ..... D13/108  
 8,113,855 B2 \* 2/2012 Green ..... H01R 13/44  
 439/131  
 D661,651 S 6/2012 Smith et al.  
 D663,687 S \* 7/2012 Liu ..... D13/108  
 D664,093 S \* 7/2012 Andre ..... D13/138.1  
 D671,490 S \* 11/2012 Zaslavsky ..... D13/110  
 8,410,752 B2 4/2013 Sulem et al.  
 D683,314 S 5/2013 Andre et al.  
 D711,823 S \* 8/2014 Akana ..... D13/110  
 D763,794 S \* 8/2016 Akana ..... D13/137.1  
 D795,190 S \* 8/2017 Tzeng ..... D13/110  
 2003/0068909 A1 4/2003 Su  
 2008/0076279 A1 3/2008 Wu et al.  
 2009/0191735 A1 7/2009 Lin  
 2010/0117597 A1 5/2010 Wang

OTHER PUBLICATIONS

Chinese Office Action dated Sep. 9, 2013 for Chinese patent application No. 201330042172.1, a counterpart foreign application of U.S. Appl. No. 29/430,011, 1 page.  
 Japanese Office Action dated Nov. 22, 2013 for Japanese design application No. 2013-003402, a counterpart foreign application of Design U.S. Appl. No. 29/430,011, 4 pages.  
 Japanese Office Action dated May 31, 2013 for Japanese design application No. 2013-003402, a counterpart foreign application of Design U.S. Appl. No. 29/430,011, 5 pages.  
 Korean Office Action dated Jan. 16, 2014 for Korean design application No. 30-2013-8580, a counterpart foreign application of Design U.S. Appl. No. 29/430,011, 3 pages.  
 Final Office Action for U.S. Appl. No. 12/360,095, dated May 17, 2011, Chris Green, "Electrical Power Adapter".  
 Non-Final Office Action for U.S. Appl. No. 13/371,938, dated Aug. 10, 2012, Chris Green et al., "Electrical Power Adapter", 9 pages.

\* cited by examiner

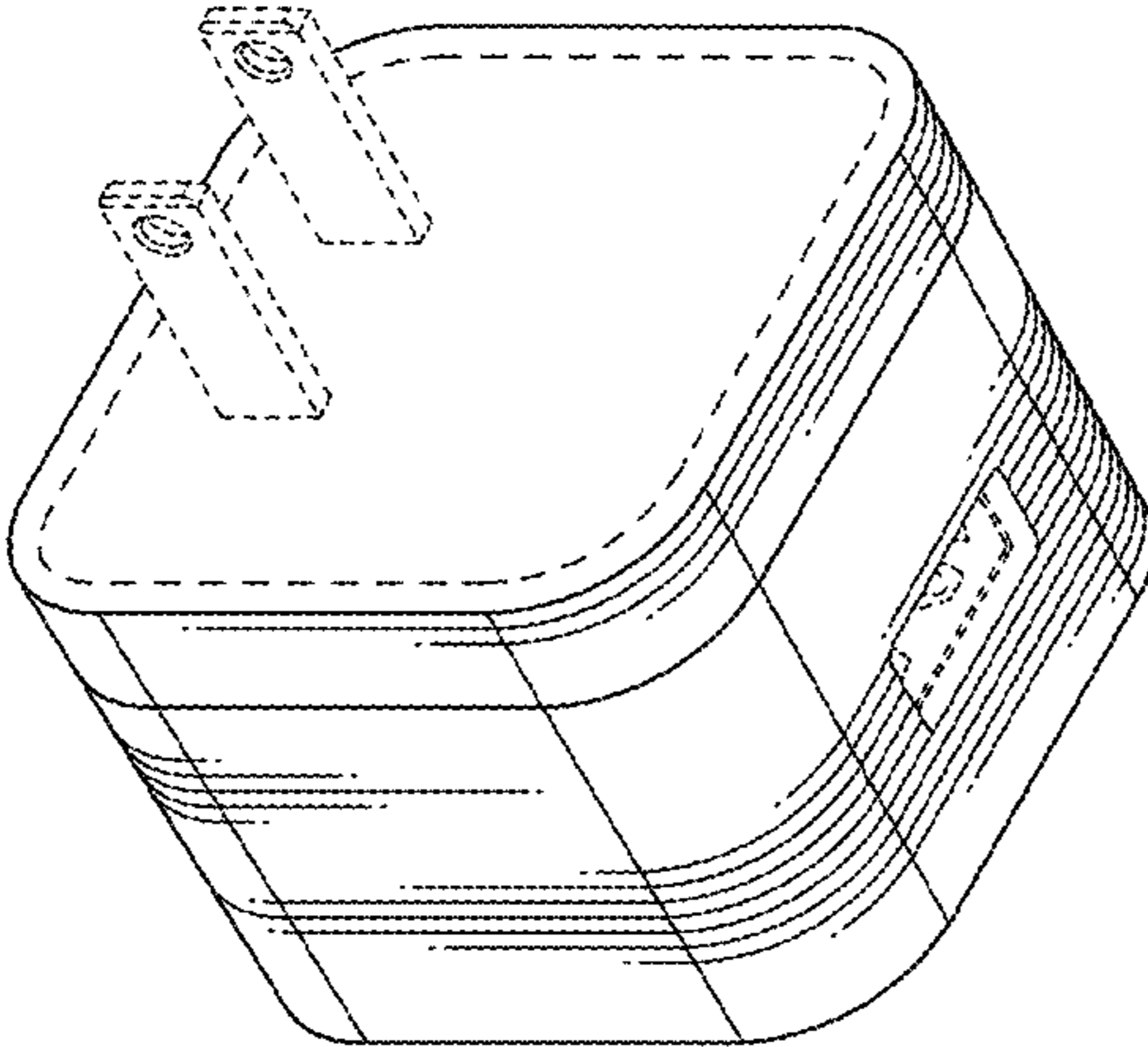


FIG. 3

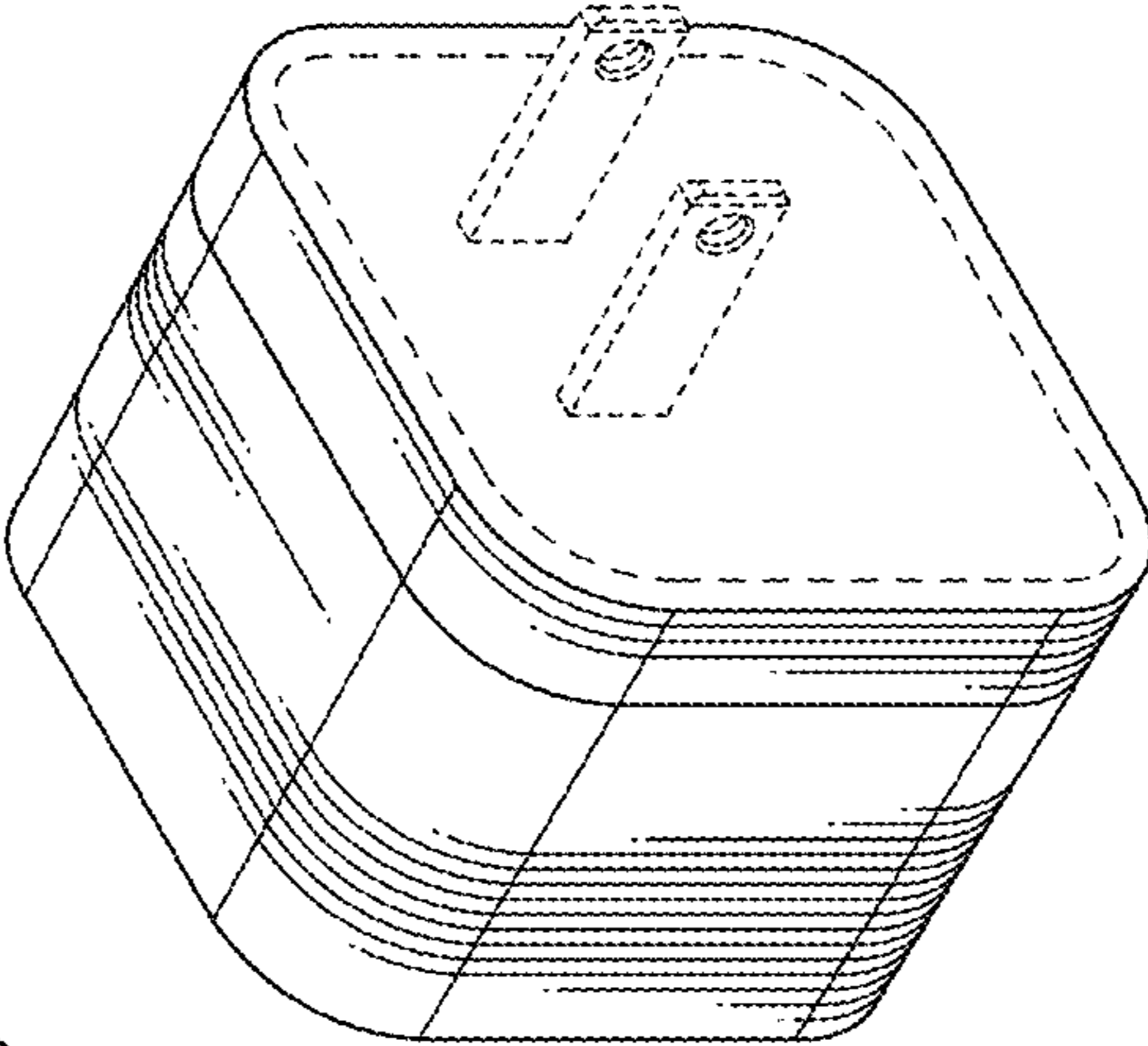


FIG. 2

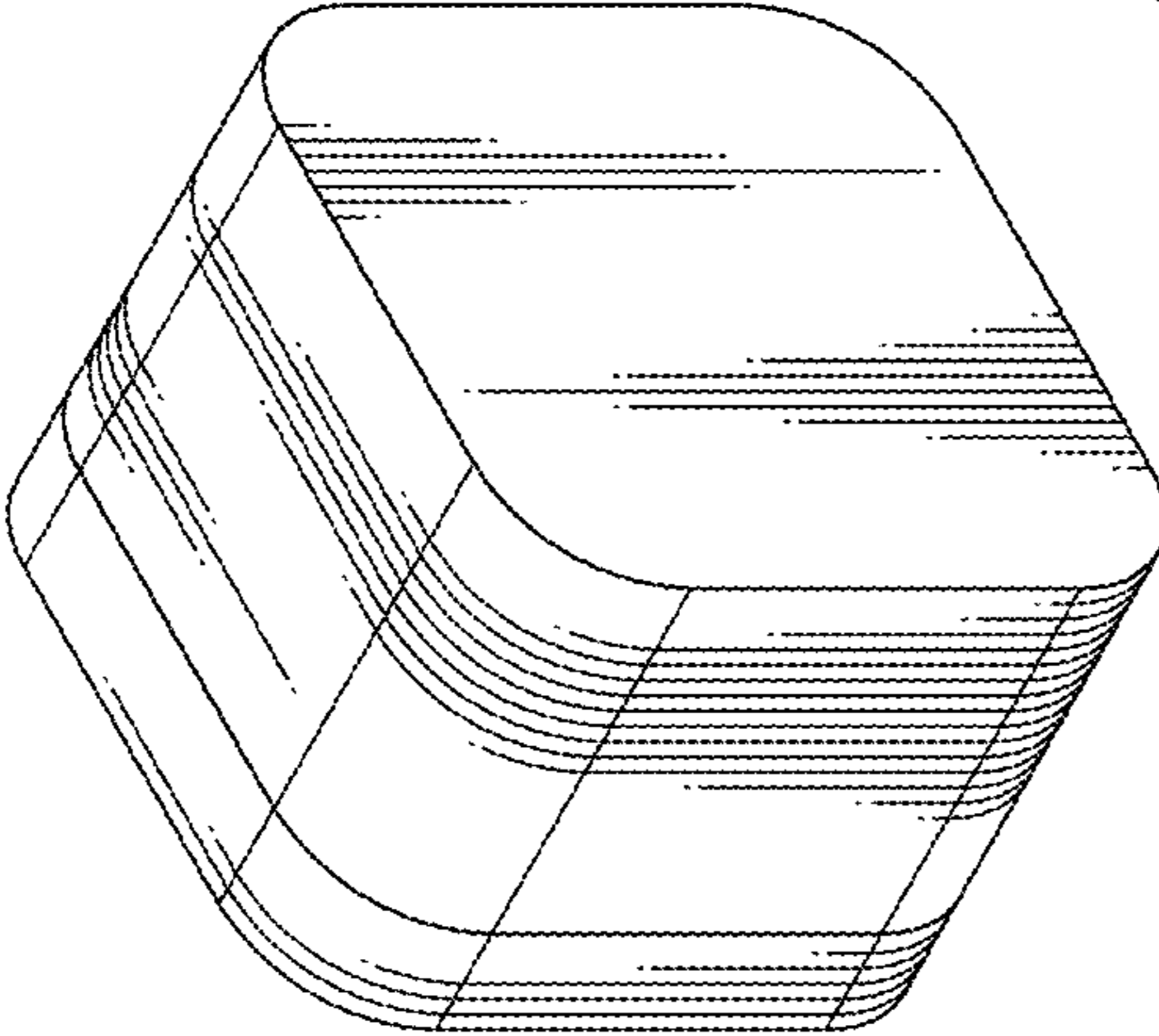


FIG. 1



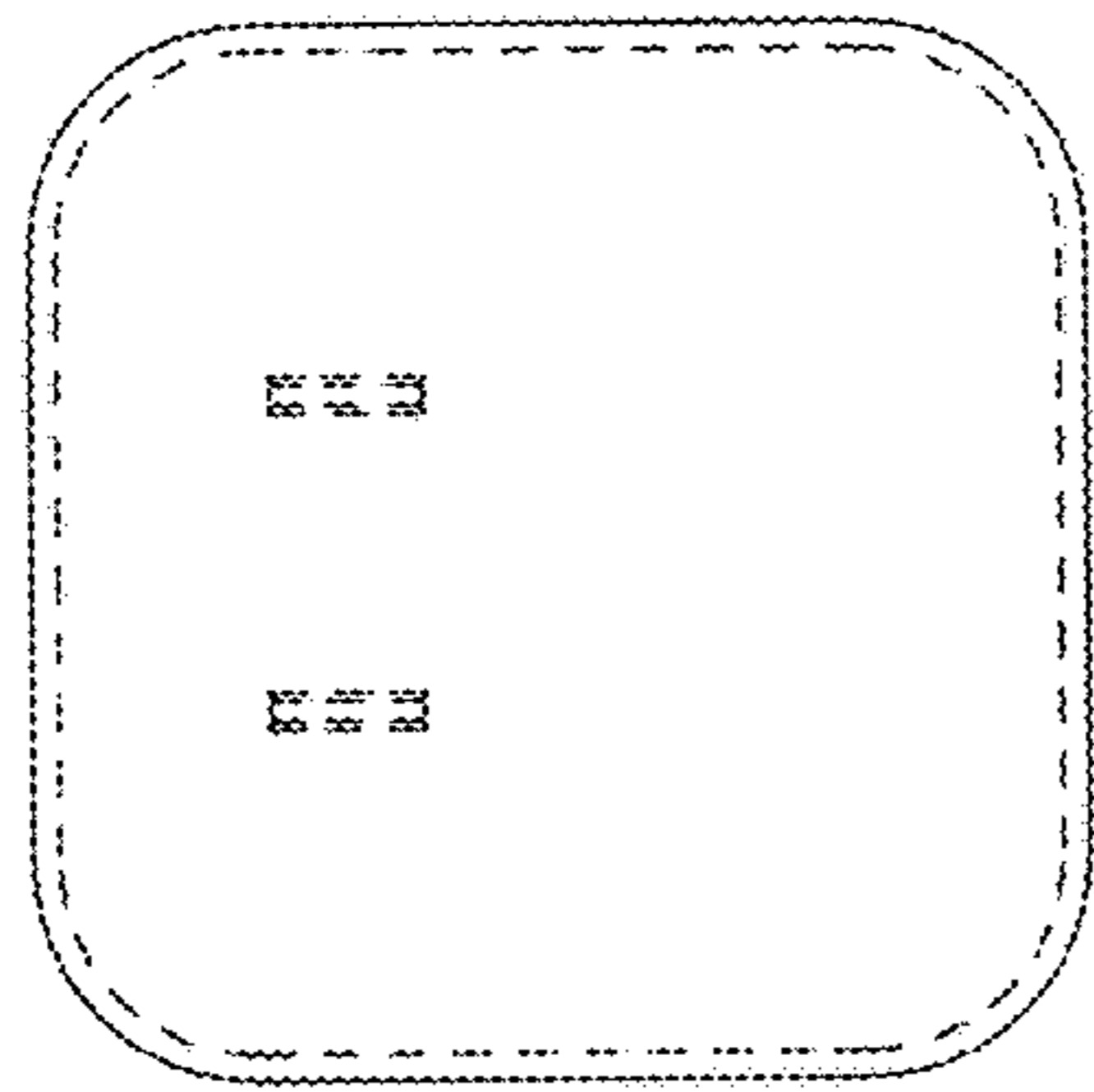


FIG. 4

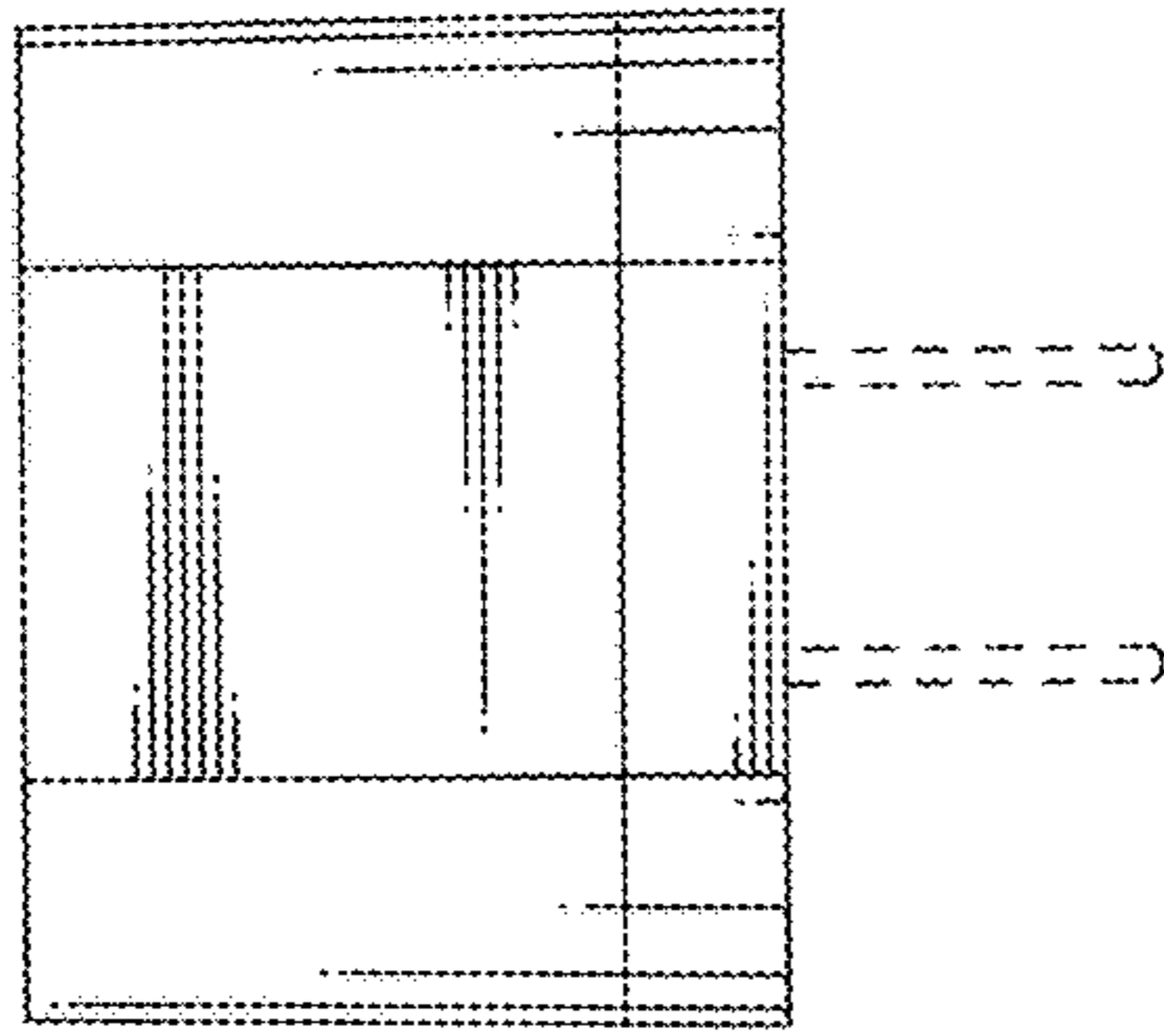


FIG. 5

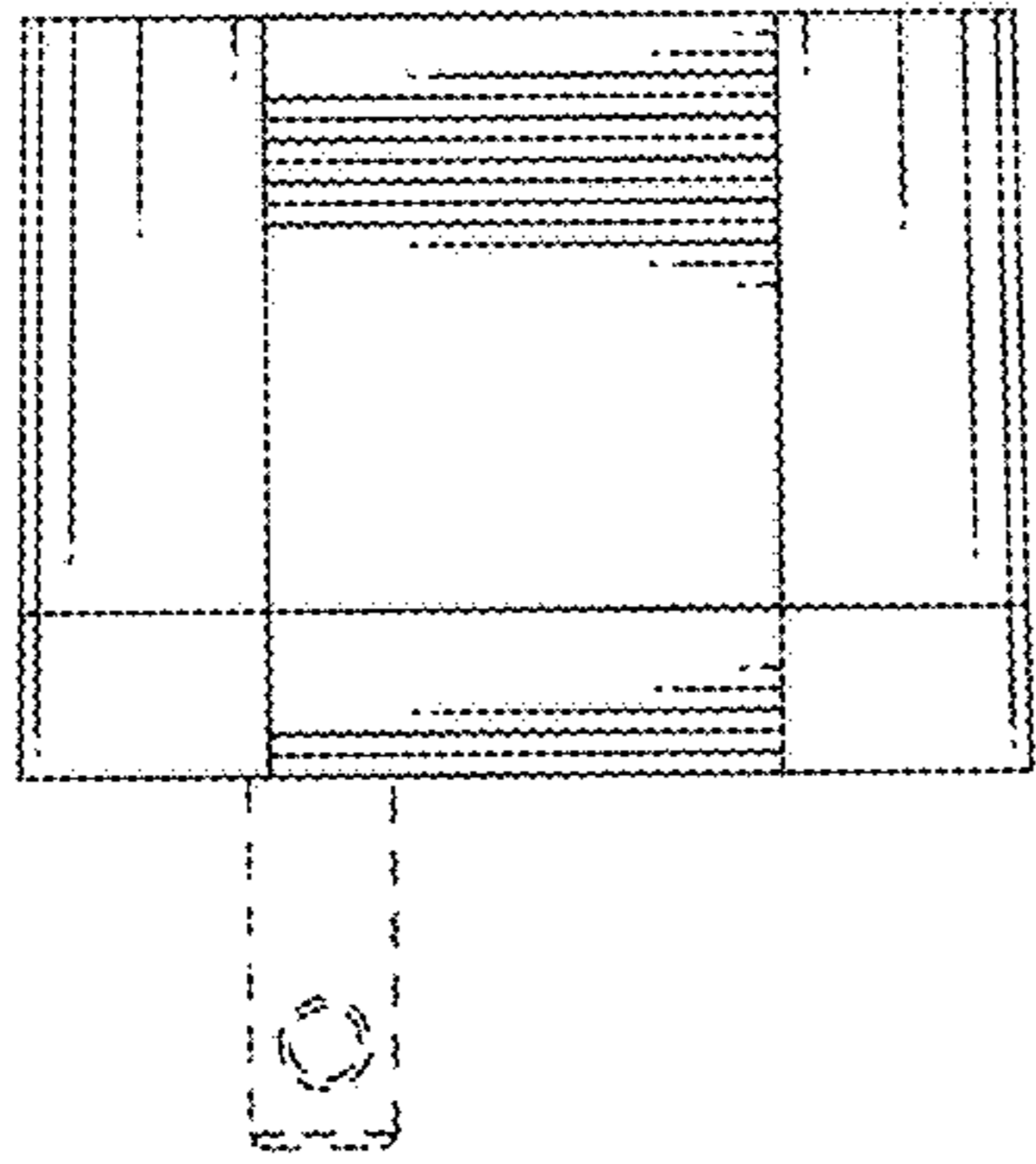


FIG. 6

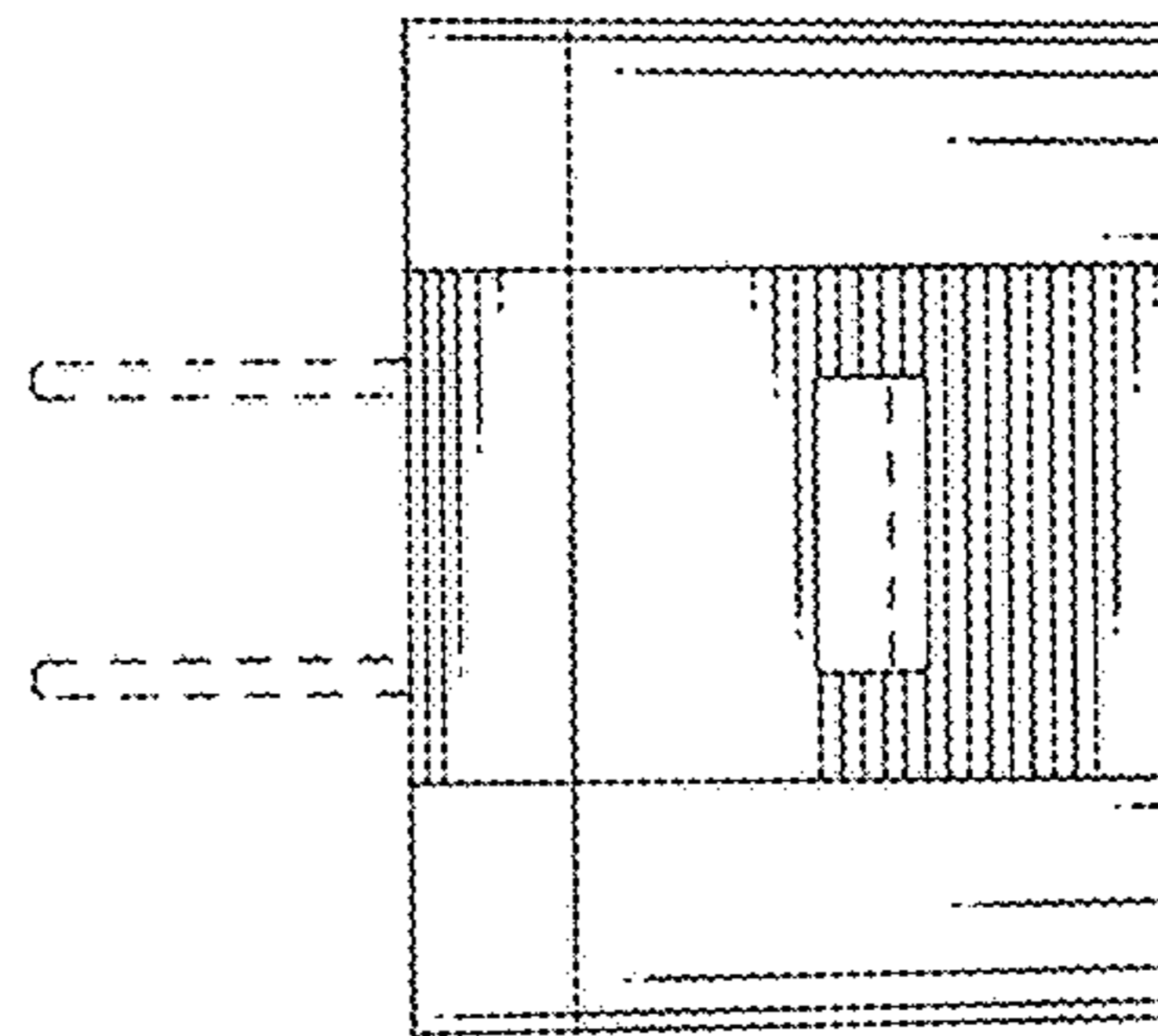


FIG. 7

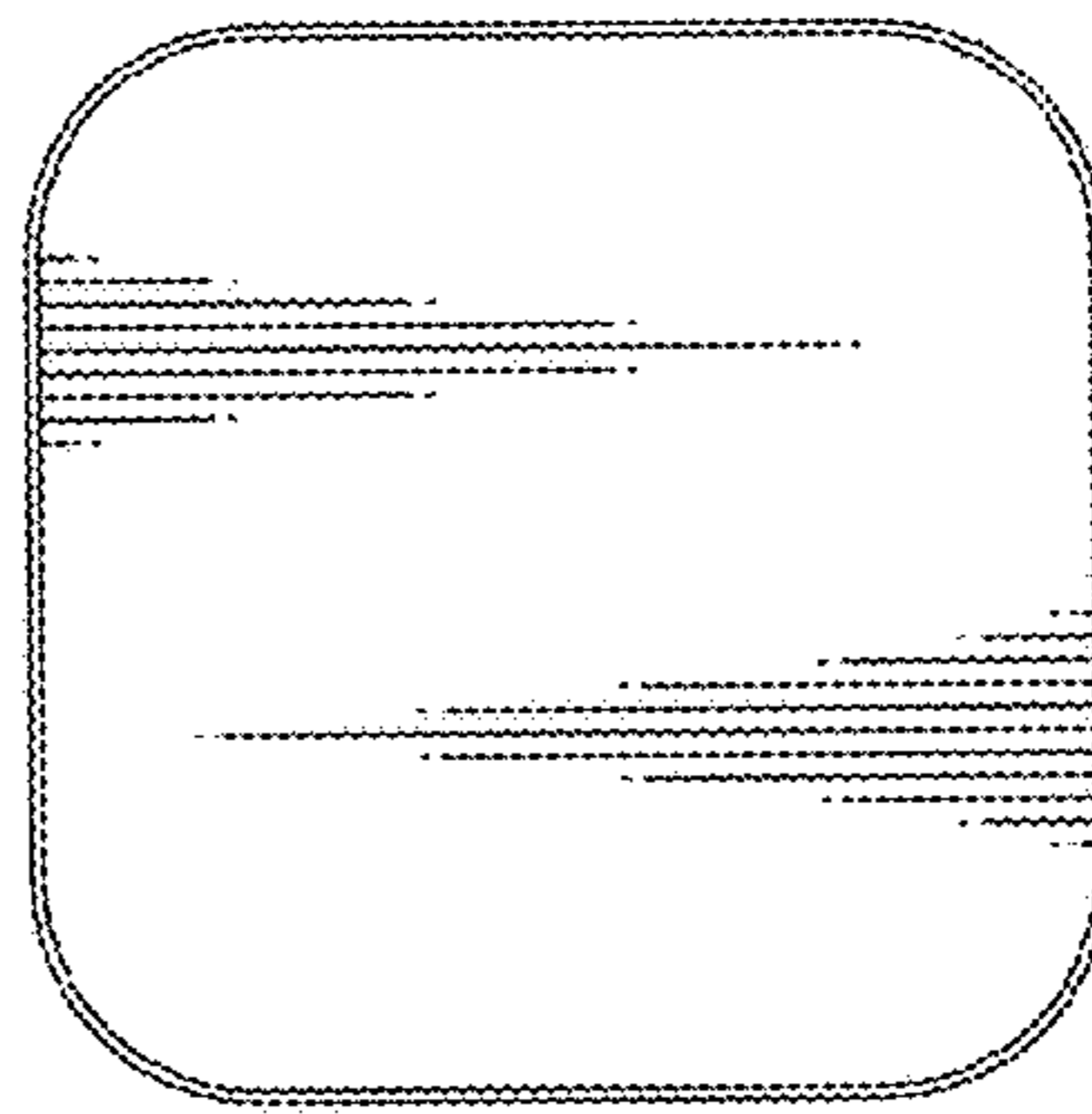


FIG. 8