



US00D845897S

(12) **United States Design Patent** (10) **Patent No.:** **US D845,897 S**  
**Kim** (45) **Date of Patent:** **\*\* Apr. 16, 2019**

(54) **WIRELESS CHARGER FOR MOBILE PHONE**

(71) Applicant: **LG INNOTEK CO., LTD.**, Seoul (KR)

(72) Inventor: **Jinho Kim**, Seoul (KR)

(73) Assignee: **LG INNOTEK CO., LTD.**, Seoul (KR)

(\*\*) Term: **15 Years**

(21) Appl. No.: **35/503,333**

(22) Filed: **Jan. 11, 2017**

(80) **Hague Agreement Data**

Int. Filing Date: **Jan. 11, 2017**

Int. Reg. No.: **DM/094395**

Int. Reg. Date: **Jan. 11, 2017**

Int. Reg. Pub. Date: **Jul. 14, 2017**

(30) **Foreign Application Priority Data**

Nov. 22, 2016 (KR) ..... 30-2016-0056166

(51) **LOC (11) Cl.** ..... **13-02**

(52) **U.S. Cl.**  
USPC ..... **D13/108**

(58) **Field of Classification Search**

USPC ..... D13/108, 110; D14/215; 320/108;  
D6/308; D9/449

CPC ..... H02J 7/025; H01F 27/28

See application file for complete search history.

(56) **References Cited**

**U.S. PATENT DOCUMENTS**

D426,772 S \* 6/2000 Kahl ..... D9/449

D573,799 S \* 7/2008 Pitot ..... D6/308

D697,476 S *	1/2014	Jeong	.....	D13/108
D701,831 S *	4/2014	Park	.....	D13/108
D720,288 S *	12/2014	Ko	.....	D13/108
D774,455 S *	12/2016	Kim	.....	D13/108
D777,103 S *	1/2017	Park	.....	D13/108
D781,266 S *	3/2017	Ahn	.....	D14/215
D782,973 S *	4/2017	Zhou	.....	D13/108
D791,698 S *	7/2017	Kim	.....	D13/108
D797,667 S *	9/2017	Park	.....	D13/108
D797,668 S *	9/2017	Park	.....	D13/110
D809,456 S *	2/2018	Miller	.....	D13/110
2009/0102419 A1 *	4/2009	Gwon	.....	H02J 7/025
				320/108
2013/0063084 A1 *	3/2013	Tilvis	.....	H01F 27/28
				320/108

\* cited by examiner

*Primary Examiner* — Rhea Shields

(74) *Attorney, Agent, or Firm* — Saliwanchik, Lloyd & Eisenschenk

(57) **CLAIM**

The ornamental design for a wireless charger for mobile phone, as shown and described.

**DESCRIPTION**

1. Wireless charger for mobile phone

1.1 : Perspective

1.2 : Front

1.3 : Back

1.4 : Left

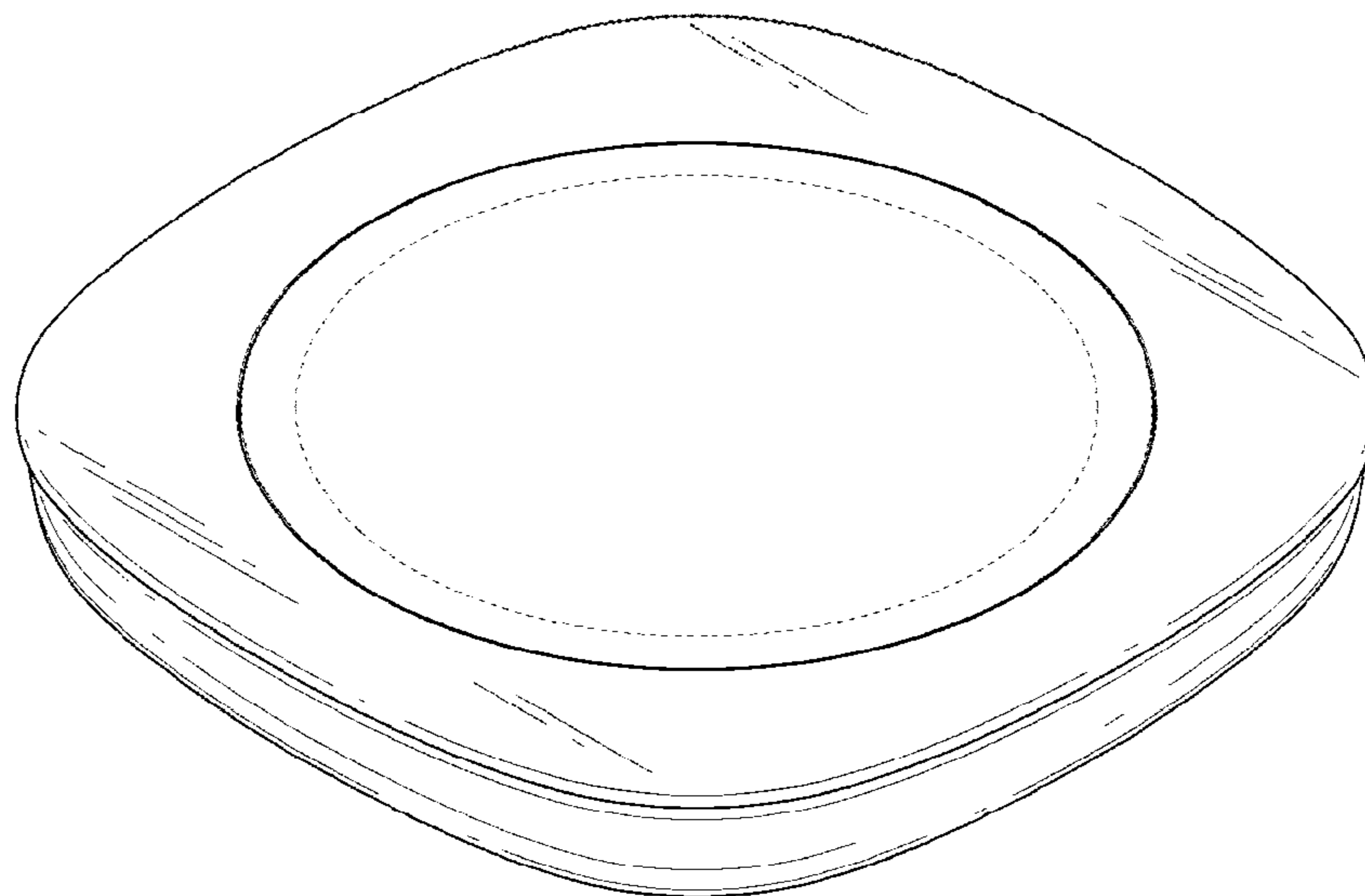
1.5 : Right

1.6 : Top

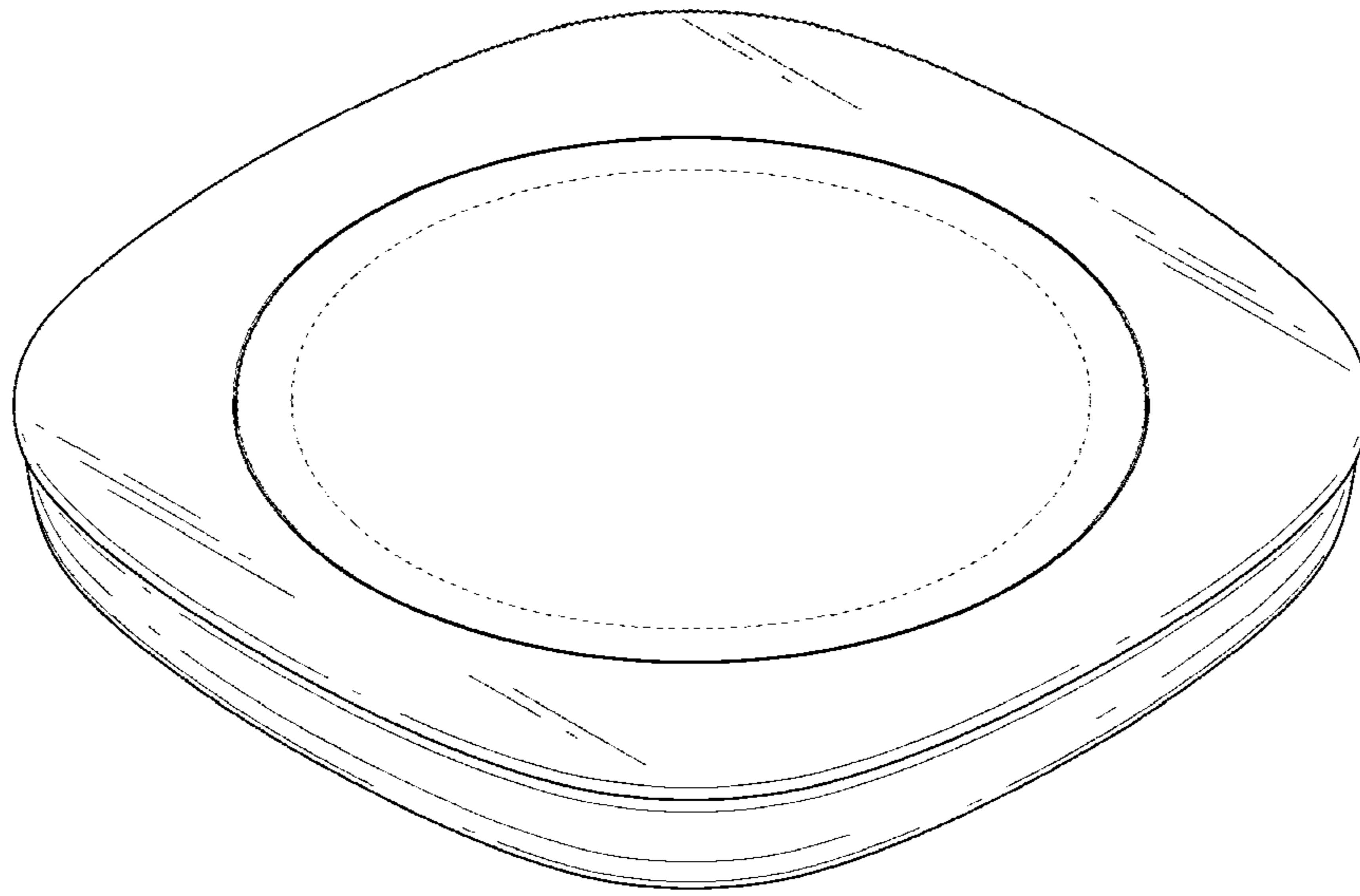
1.7 : Bottom

The gist of the present ornamental design is a combination of shape and pattern of a wireless charger for mobile phone, as shown and described.

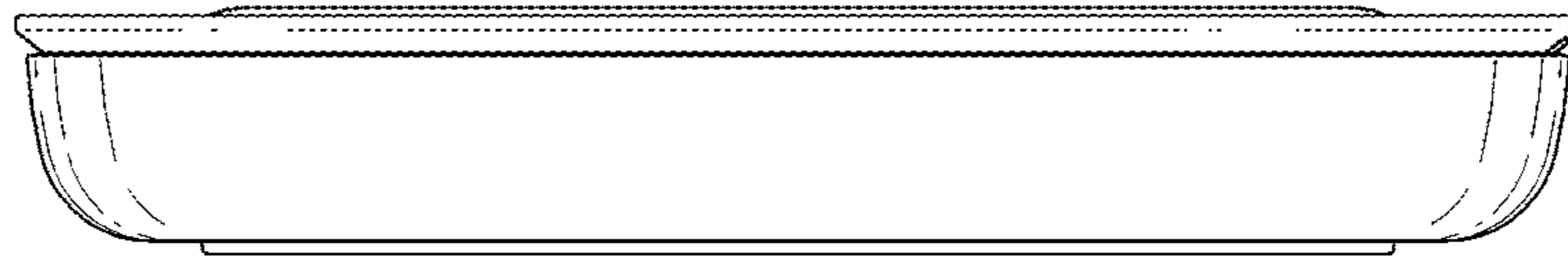
**1 Claim, 7 Drawing Sheets**



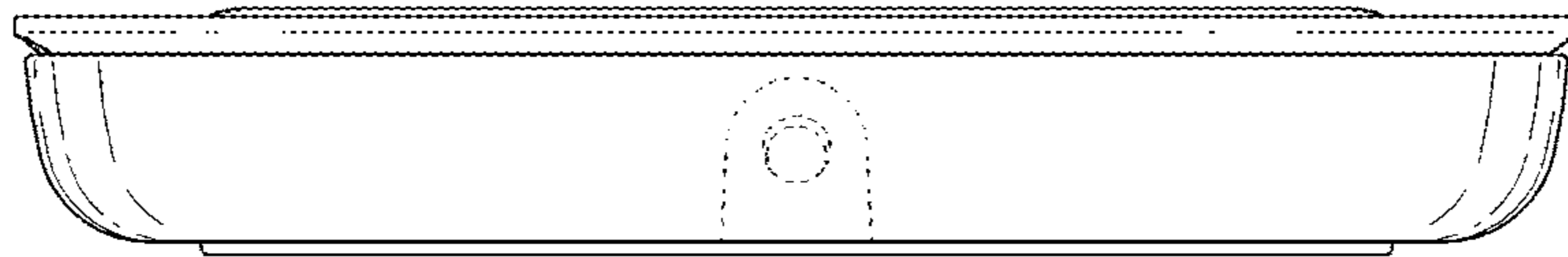
1.1



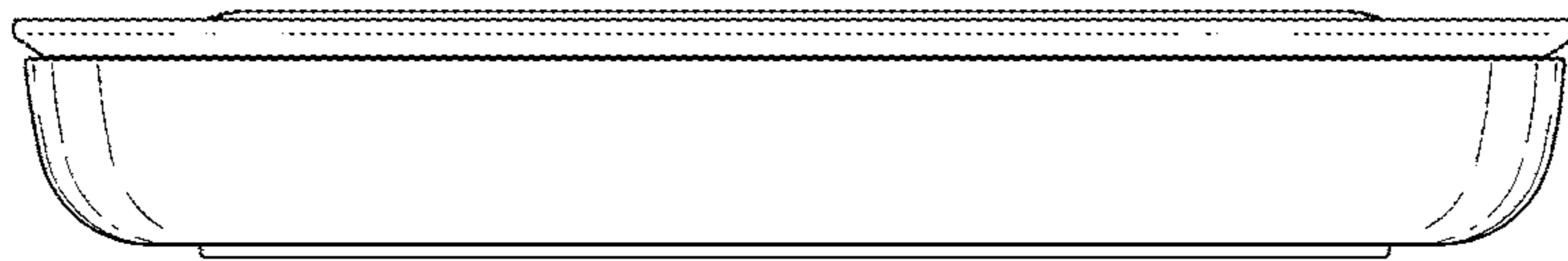
1.2



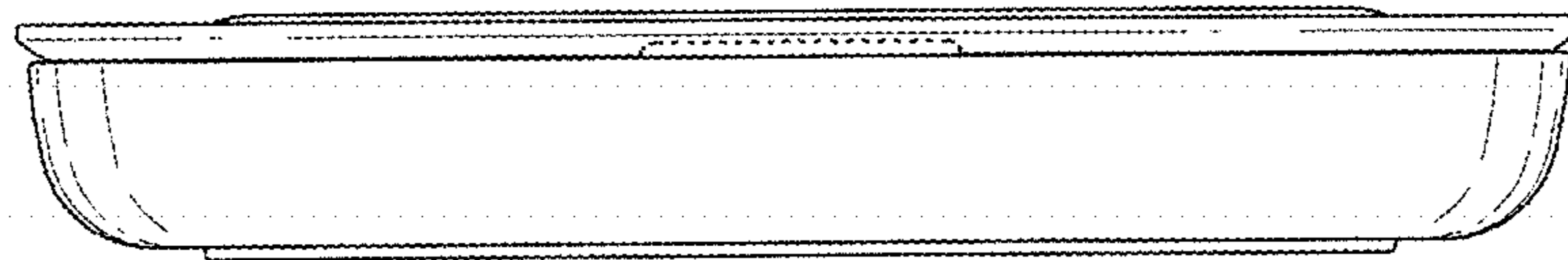
1.3



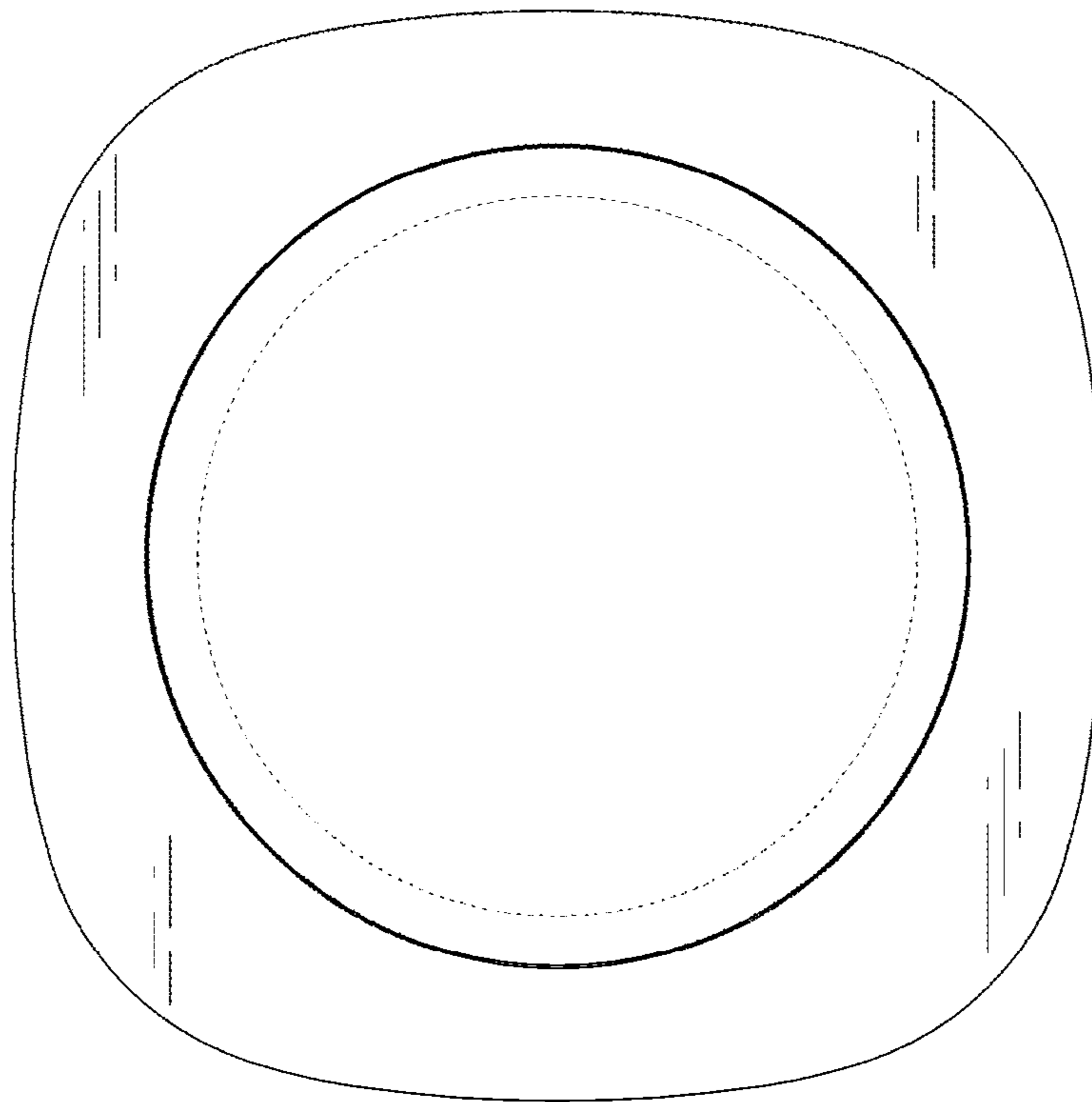
1.4



1.5



1.6



1.7

