



US00D845896S

(12) **United States Design Patent**
Hu

(10) **Patent No.:** **US D845,896 S**

(45) **Date of Patent:** **** Apr. 16, 2019**

(54) **WIRELESS CHARGER**

(71) Applicant: **Shenzhen Xintuo Supply Chain LTD,**
Shenzhen (CN)

(72) Inventor: **Zaihui Hu,** Shenzhen (CN)

(73) Assignee: **Shenzhen Xintuo Supply Chain LTD,**
Shenzhen (CN)

(**) Term: **15 Years**

(21) Appl. No.: **29/633,533**

(22) Filed: **Jan. 15, 2018**

(51) **LOC (11) Cl.** **13-02**

(52) **U.S. Cl.**
USPC **D13/108**

(58) **Field of Classification Search**
USPC D13/107–110, 118–119, 184, 199;
D14/251, 253, 432, 434
CPC Y02E 60/12; Y02T 90/14; Y02T 90/122;
Y02T 90/128; Y02T 90/163; H02J 7/025;
H02J 7/0042; H02J 7/0044; H02J 7/0045;
H02J 7/0003; H01F 38/14; H01R
13/6675; H01M 2/1022; H01M 2/1055;
H01M 10/44; H01M 10/46; H01M
10/425; B60L 11/182

See application file for complete search history.

(56) **References Cited**

U.S. PATENT DOCUMENTS

D489,325 S * 5/2004 Nakamura D13/110
D501,191 S * 1/2005 Siebke D13/108

D605,588 S * 12/2009 Nomi D13/108
D635,979 S * 4/2011 Wu D13/107
D639,301 S * 6/2011 Anderson D13/107
D639,810 S * 6/2011 Hwang D13/107
D772,812 S * 11/2016 Choe D13/108
D787,441 S * 5/2017 Lee D13/108
D810,014 S * 2/2018 Haranaka D13/108
D812,564 S * 3/2018 Feng D13/108
D815,594 S * 4/2018 Chen D13/108
D817,872 S * 5/2018 Oguchi D13/107

* cited by examiner

Primary Examiner — Rosemary K Tarcaza
(74) *Attorney, Agent, or Firm* — JCIPRNET

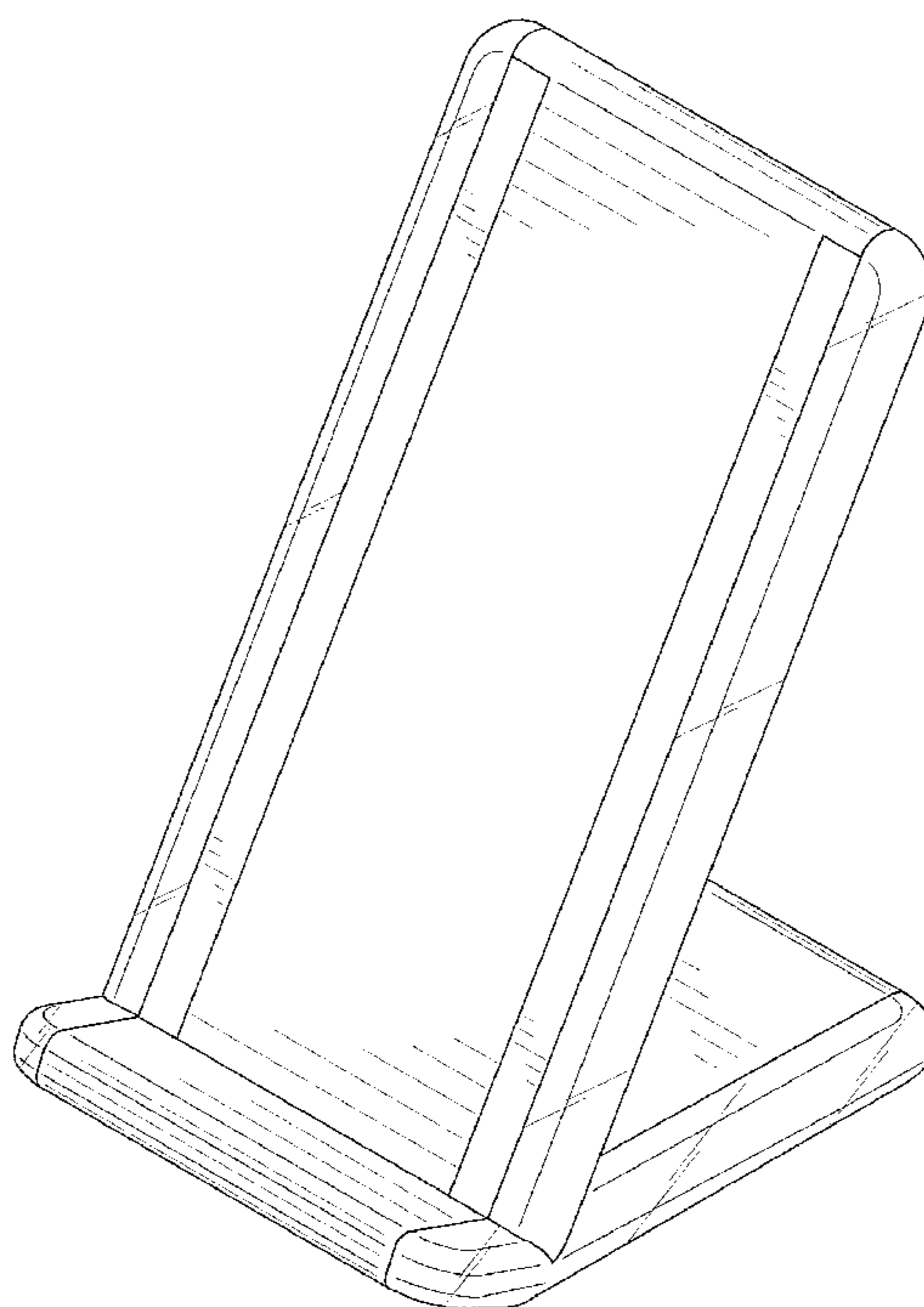
(57) **CLAIM**

The ornamental design for a wireless charger, as shown and described.

DESCRIPTION

FIG. 1 is a perspective view of a wireless charger showing my new design;
FIG. 2 is a front view thereof;
FIG. 3 is a rear view thereof;
FIG. 4 is a left side view thereof;
FIG. 5 is a right side view thereof;
FIG. 6 is a top view thereof; and,
FIG. 7 is a bottom view thereof.
The broken line portions of the wireless charger in FIG. 3 represent unclaimed portions of the claimed design and form no part thereof.

1 Claim, 7 Drawing Sheets



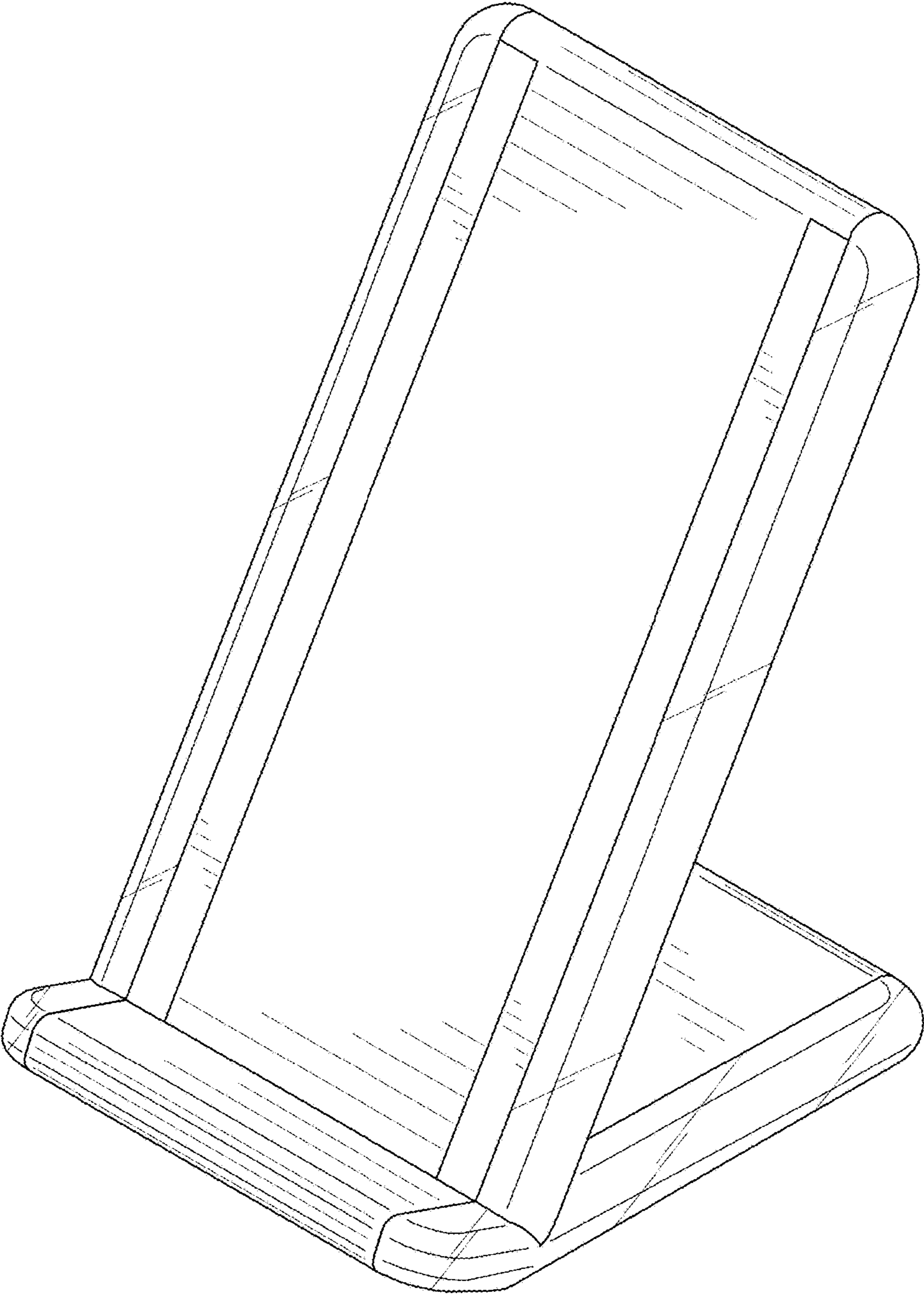


FIG. 1

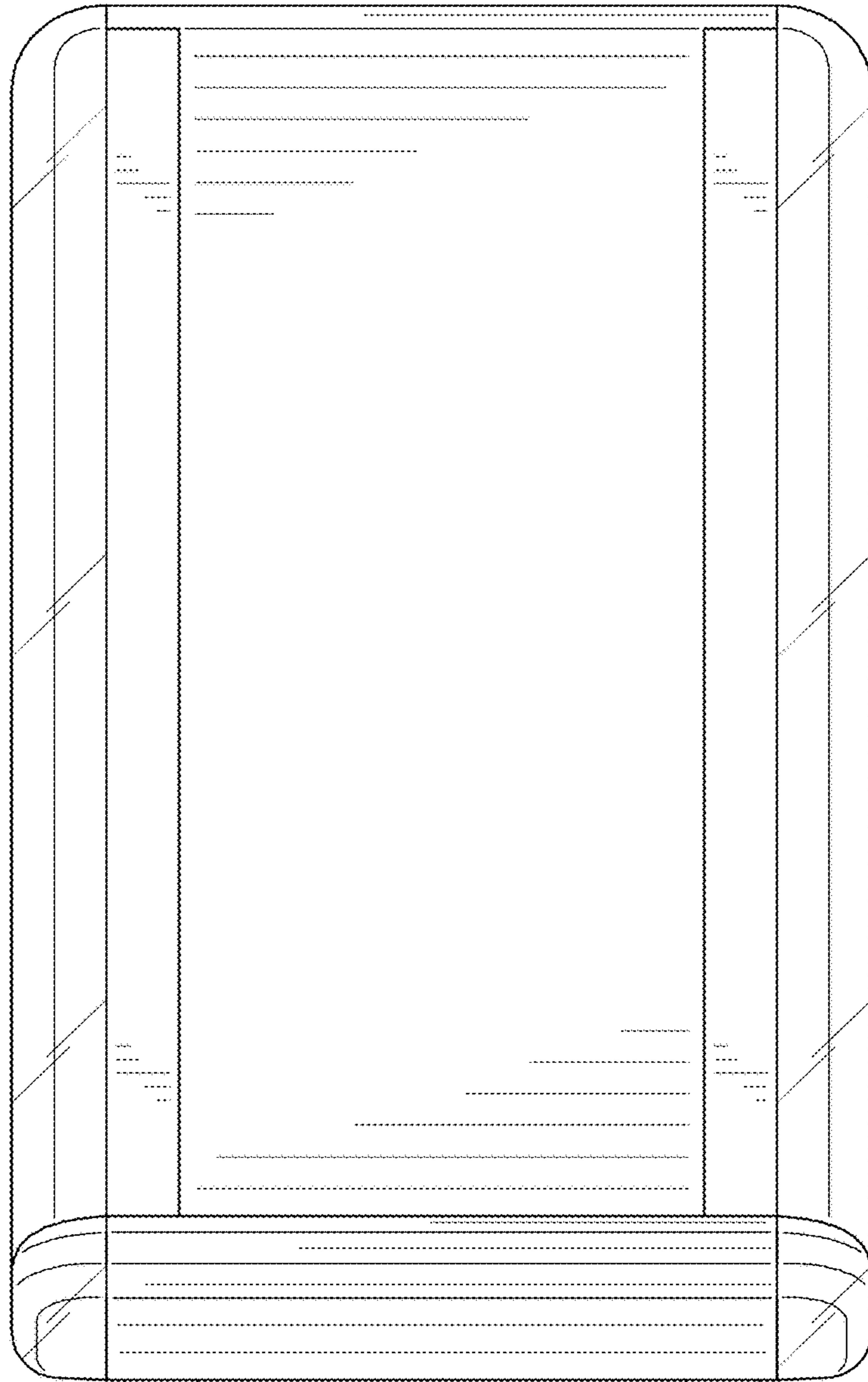


FIG. 2

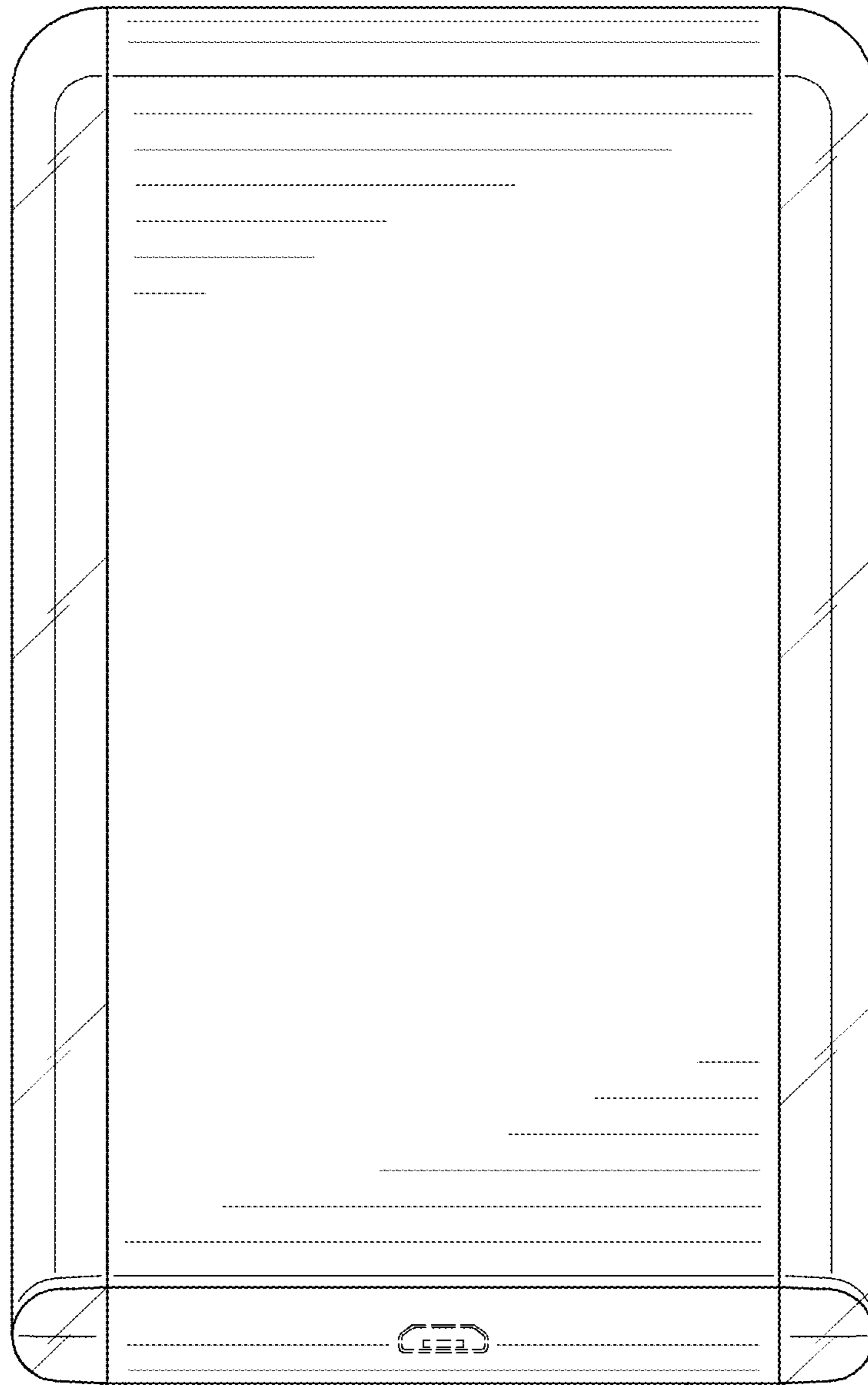


FIG. 3

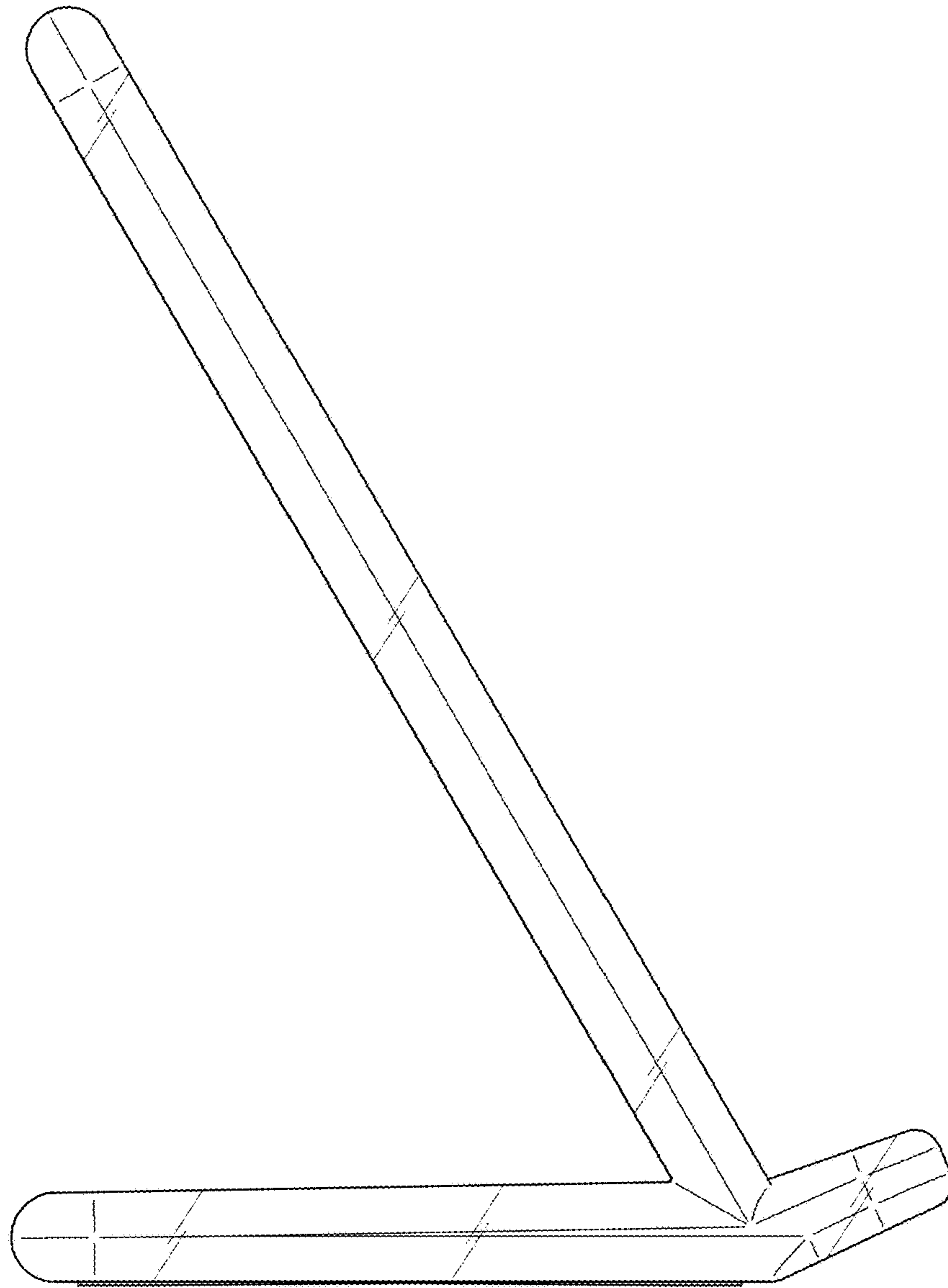


FIG. 4

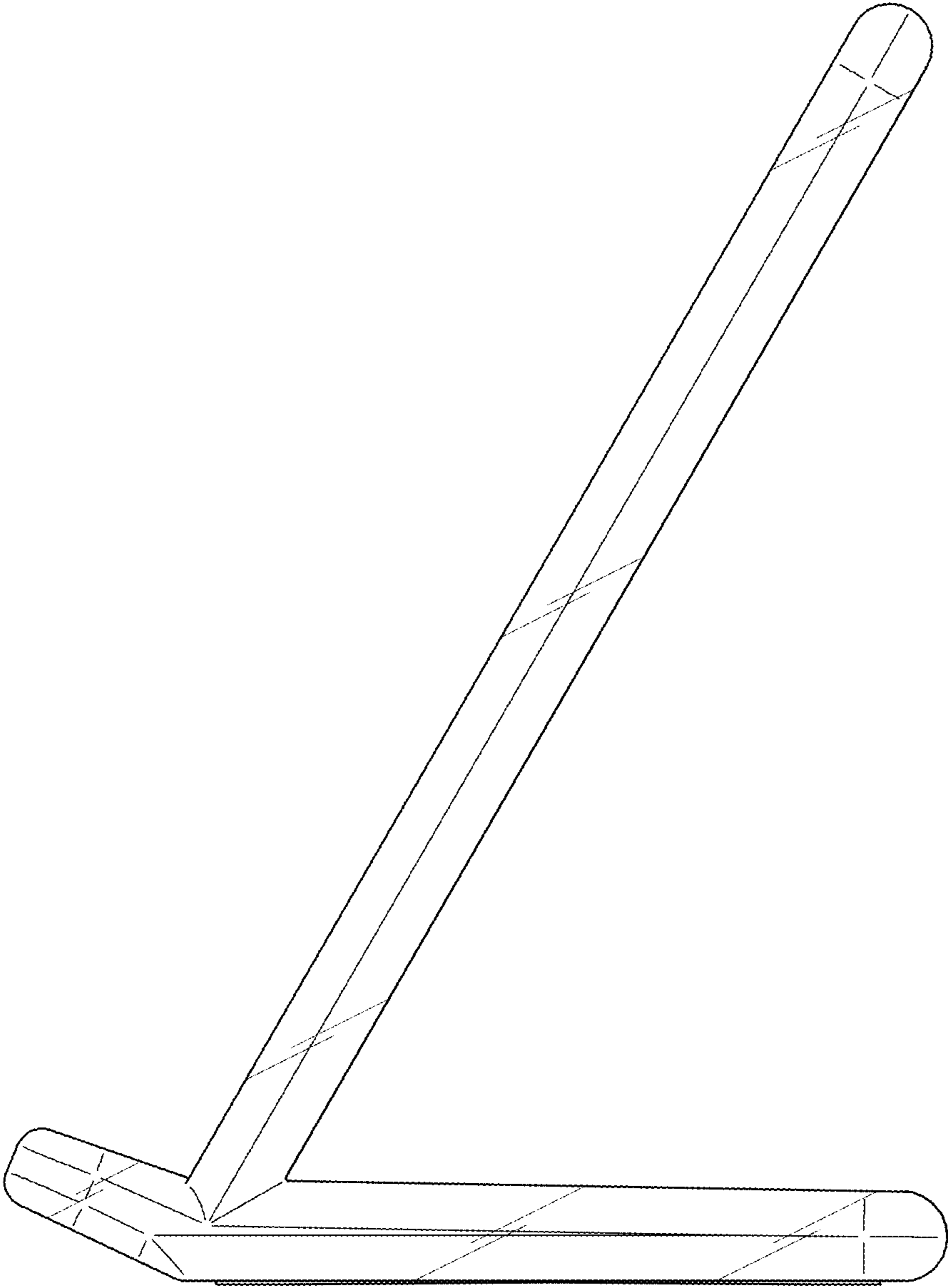


FIG. 5

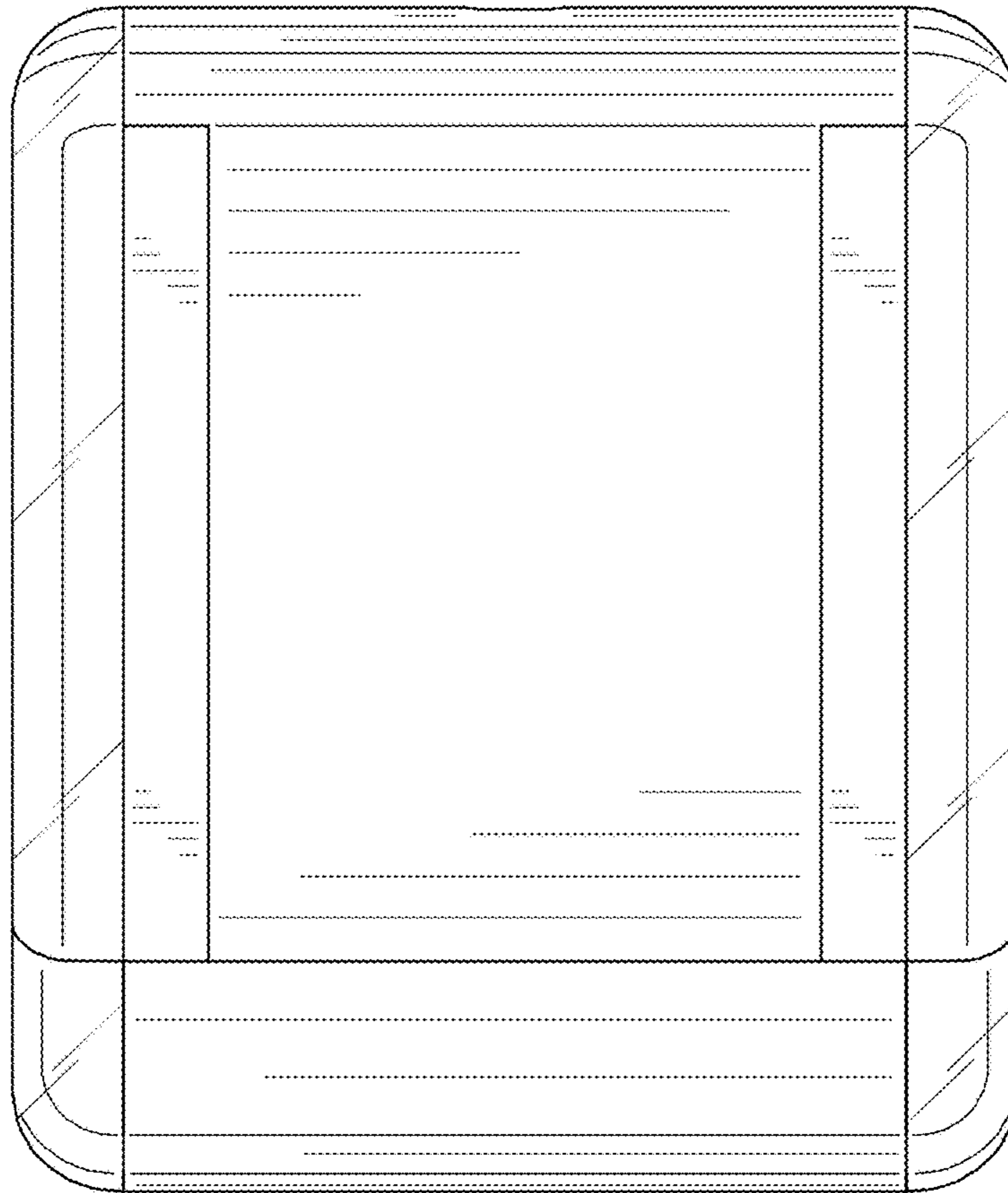


FIG. 6

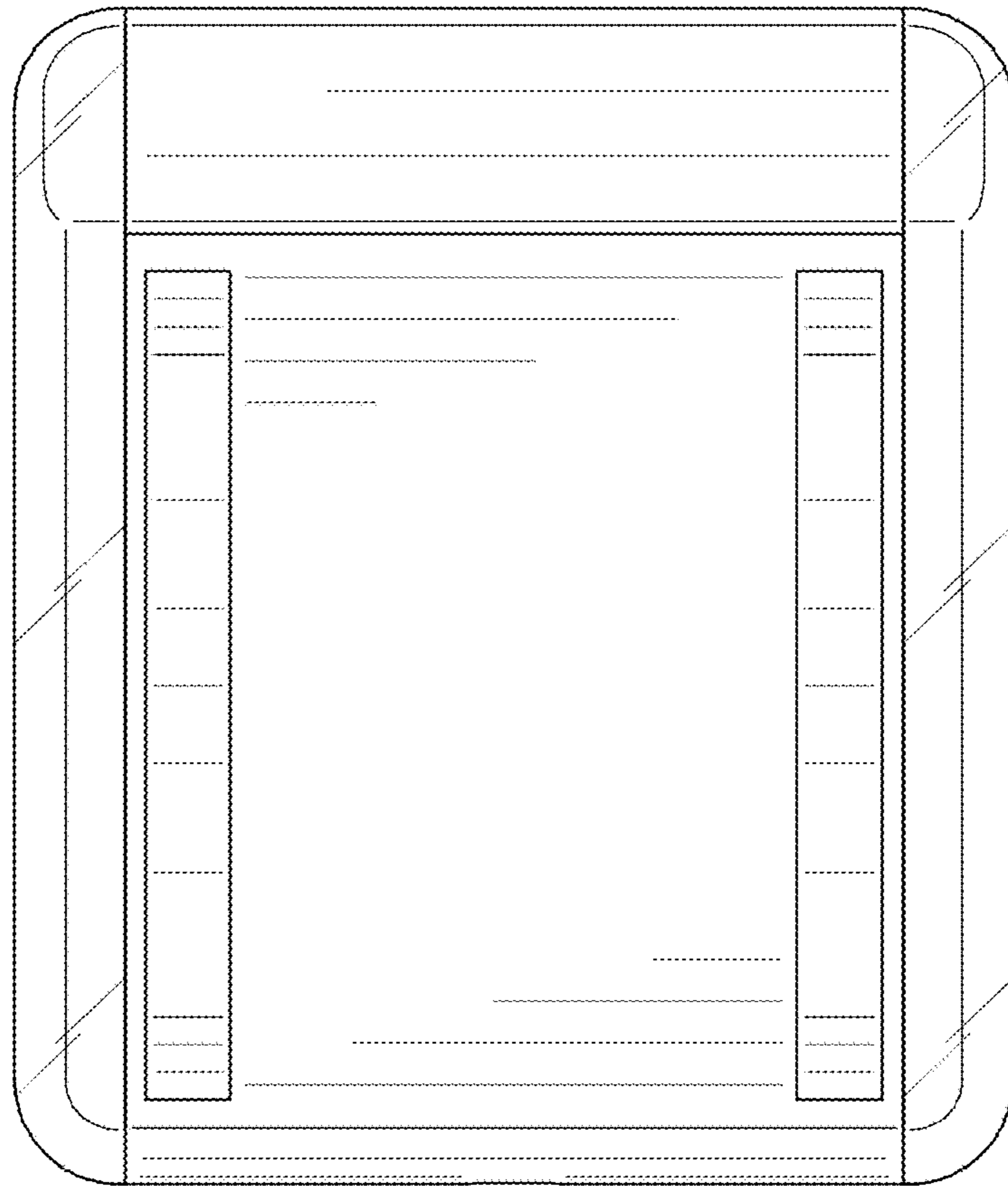


FIG. 7