



US00D845893S

(12) **United States Design Patent**
Kim et al.

(10) **Patent No.:** **US D845,893 S**

(45) **Date of Patent:** **** Apr. 16, 2019**

(54) **CHARGING CASE FOR AERIAL VEHICLE**

(71) Applicant: **SZ DJI Technology Co., Ltd.**,
Shenzhen (CN)

(72) Inventors: **Siyoon Kim**, Shenzhen (CN); **Min Kim**, Shenzhen (CN); **Xiaokai Guo**,
Shenzhen (CN)

(73) Assignee: **SZ DJI Technology Co., Ltd.**,
Shenzhen (CN)

(**) Term: **15 Years**

(21) Appl. No.: **29/646,235**

(22) Filed: **May 2, 2018**

Related U.S. Application Data

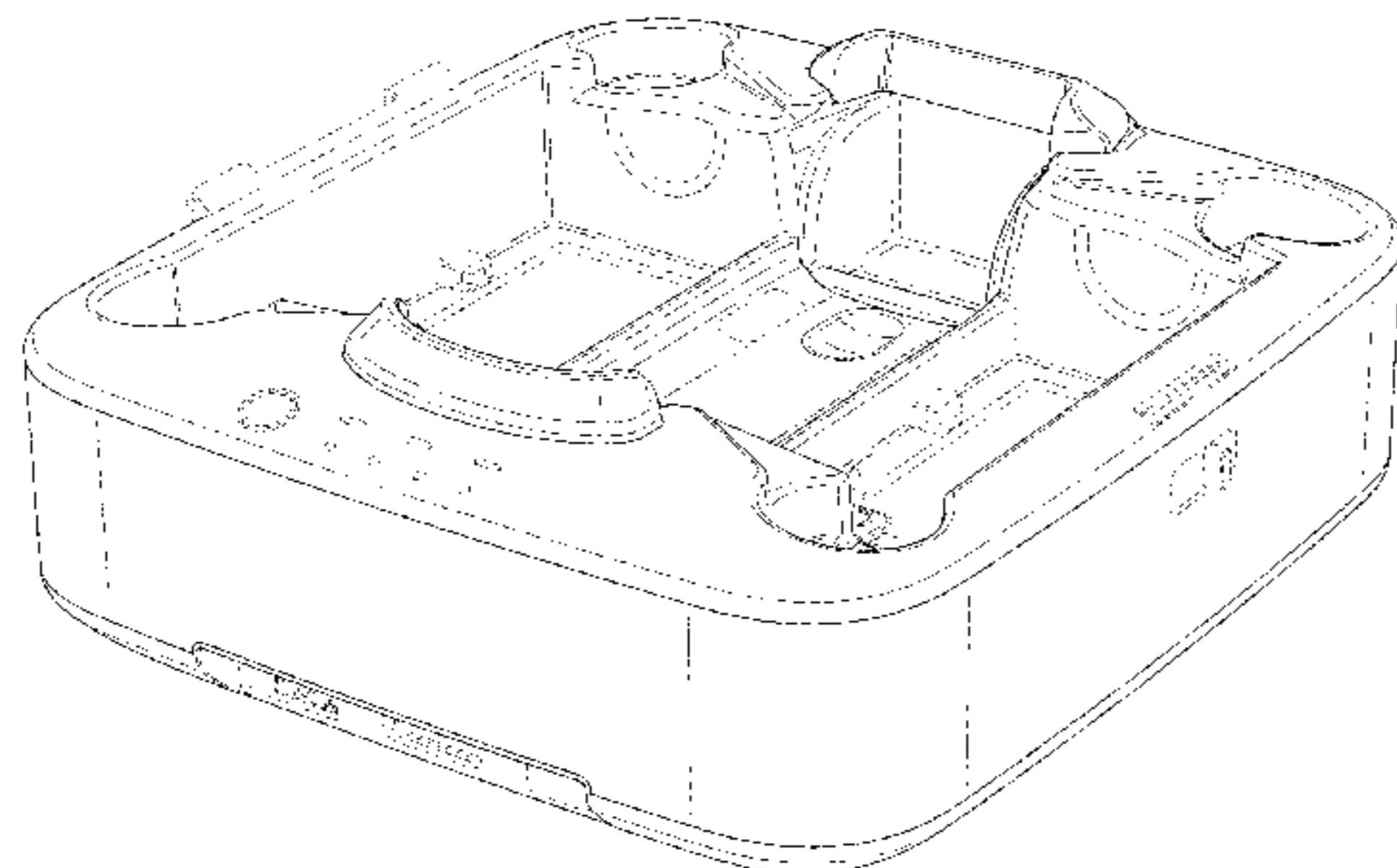
(63) Continuation of application No. 29/600,613, filed on
Apr. 13, 2017, now Pat. No. Des. 819,564.

(51) **LOC (11) Cl.** **13-02**

(52) **U.S. Cl.**
USPC **D13/107**

(58) **Field of Classification Search**

USPC D13/102-108, 110, 118-120, 184, 199
CPC Y02E 60/12; Y02E 60/122; Y02E 60/124;
Y02E 60/50; H01M 2/02; H01M 2/022;
H01M 2/0202; H01M 2/0207; H01M
2/0212; H01M 2/1061; H01M 2/1022;
H01M 2/1055; H01M 2/1066; H01M
2/105; H01M 2/204; H01M 10/4257;
H01M 10/0436; H01M 10/48; H01M
10/44; H01M 10/46; H01M 10/465;
H01M 10/482; H01M 2200/30; H01M
2250/30; H01M 2250/40; H02J 7/00;



H02J 7/0003; H02J 7/0011; H02J 7/0013;
H02J 7/0054; H02J 7/0055; H02J 7/0057
See application file for complete search history.

(56) **References Cited**

U.S. PATENT DOCUMENTS

D519,450 S *	4/2006	Lyman	D13/108
D606,492 S *	12/2009	Steinfels	D13/119
D629,354 S *	12/2010	Chang	D13/107
D654,008 S	2/2012	Stevens		
D656,093 S *	3/2012	Nomi	D13/107
D676,377 S *	2/2013	Nokuo	D13/108
D690,255 S	9/2013	Schutterra et al.		
D726,647 S *	4/2015	Laurino	D13/103

(Continued)

OTHER PUBLICATIONS

YouTube.com: "DJI Spark: Using the Spark Portable Charging Station." Published Nov. 16, 2017. Retrieved from the internet at <<https://www.youtube.com/watch?v=Or4XuiGzELk>>, Mar. 8, 2018. 1 page.

Primary Examiner — Rosemary K Tarcza

Assistant Examiner — Christy M Nemeth

(74) *Attorney, Agent, or Firm* — Sterne, Kessler,
Goldstein & Fox P.L.L.C.

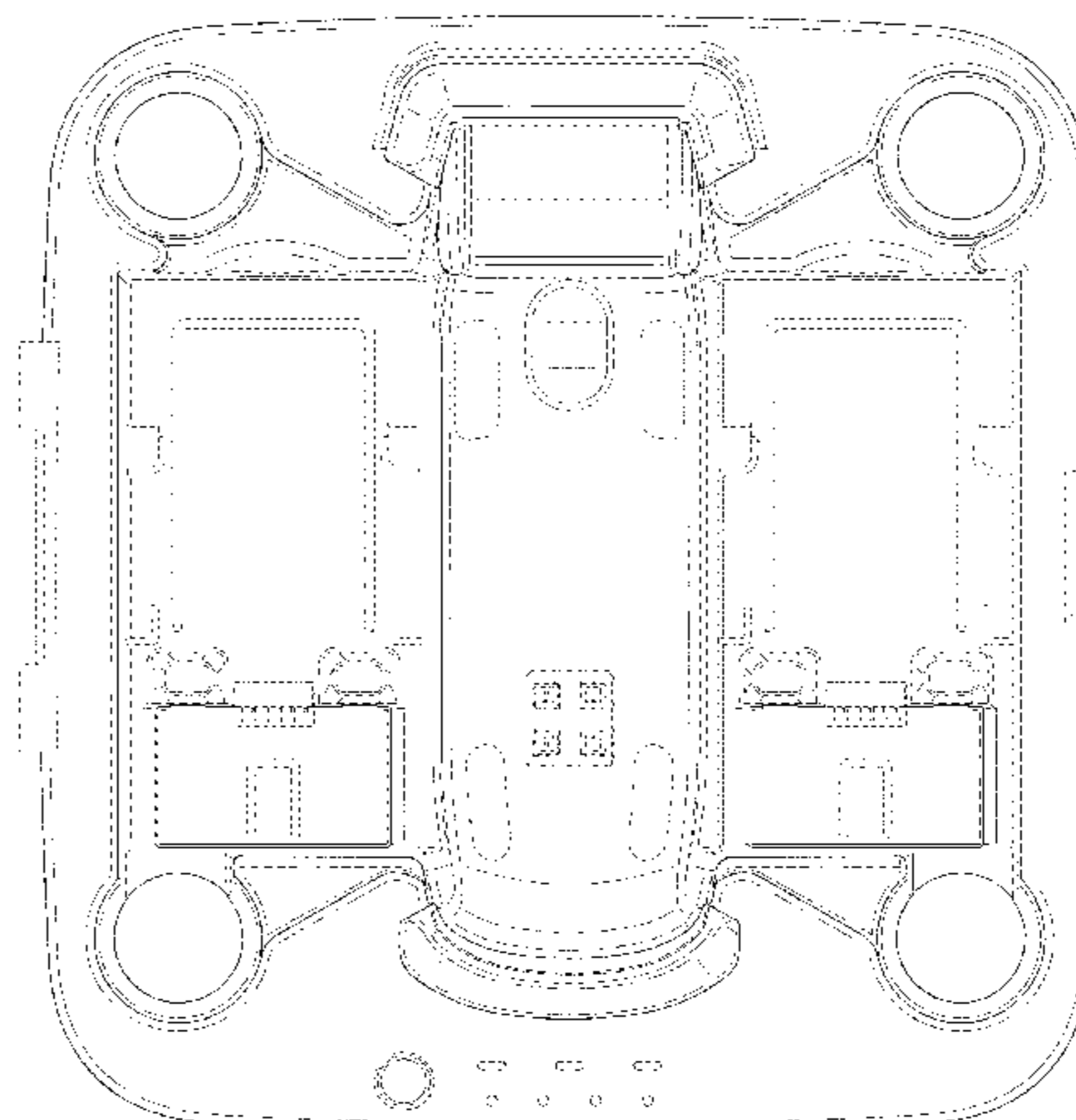
(57) **CLAIM**

The ornamental design for a charging case for aerial vehicle,
as shown and described.

DESCRIPTION

FIG. 1 is a top front perspective view of a charging case for
aerial vehicle showing the claimed design;
FIG. 2 is a top rear perspective view thereof;
FIG. 3 is a bottom rear perspective view thereof;
FIG. 4 is a front view thereof;
FIG. 5 is a rear view thereof;
FIG. 6 is a left side view thereof;
FIG. 7 is a right side view thereof;
FIG. 8 is a top view thereof; and,
FIG. 9 is a bottom view thereof.

(Continued)



The broken lines in the figures show portions of the charging case for aerial vehicle that form no part of the claimed design.

1 Claim, 7 Drawing Sheets

(56)

References Cited

U.S. PATENT DOCUMENTS

D773,992 S	12/2016	Krantz et al.	
D775,818 S *	1/2017	Ingraham	D3/218
D784,258 S	4/2017	Vienna et al.	
D795,161 S	8/2017	Schutterra et al.	
D798,192 S	9/2017	Zhang et al.	
D807,816 S	1/2018	Petrella	
D808,905 S	1/2018	Perry	
D819,564 S *	6/2018	Kim	D13/108

* cited by examiner

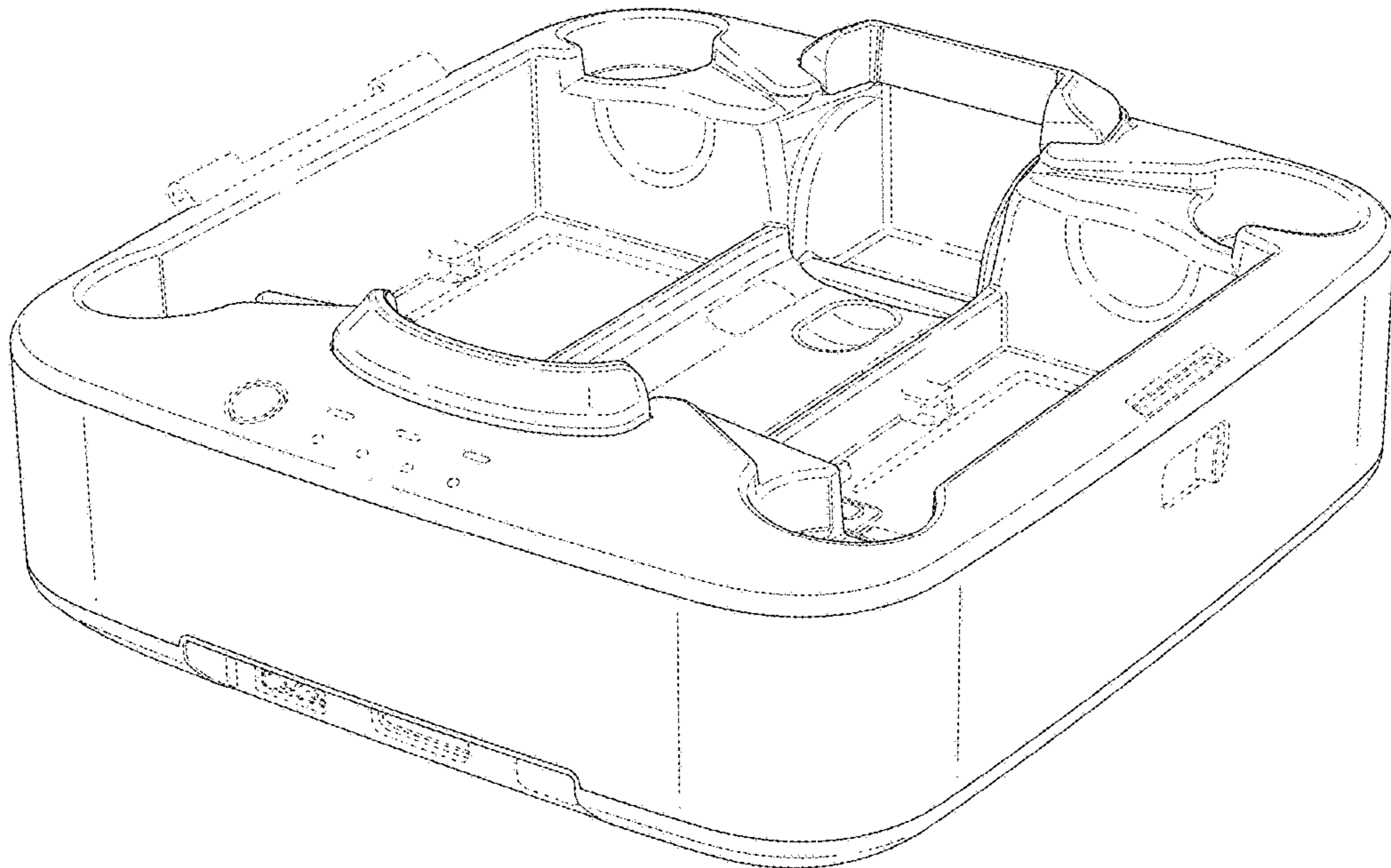


FIG. 1

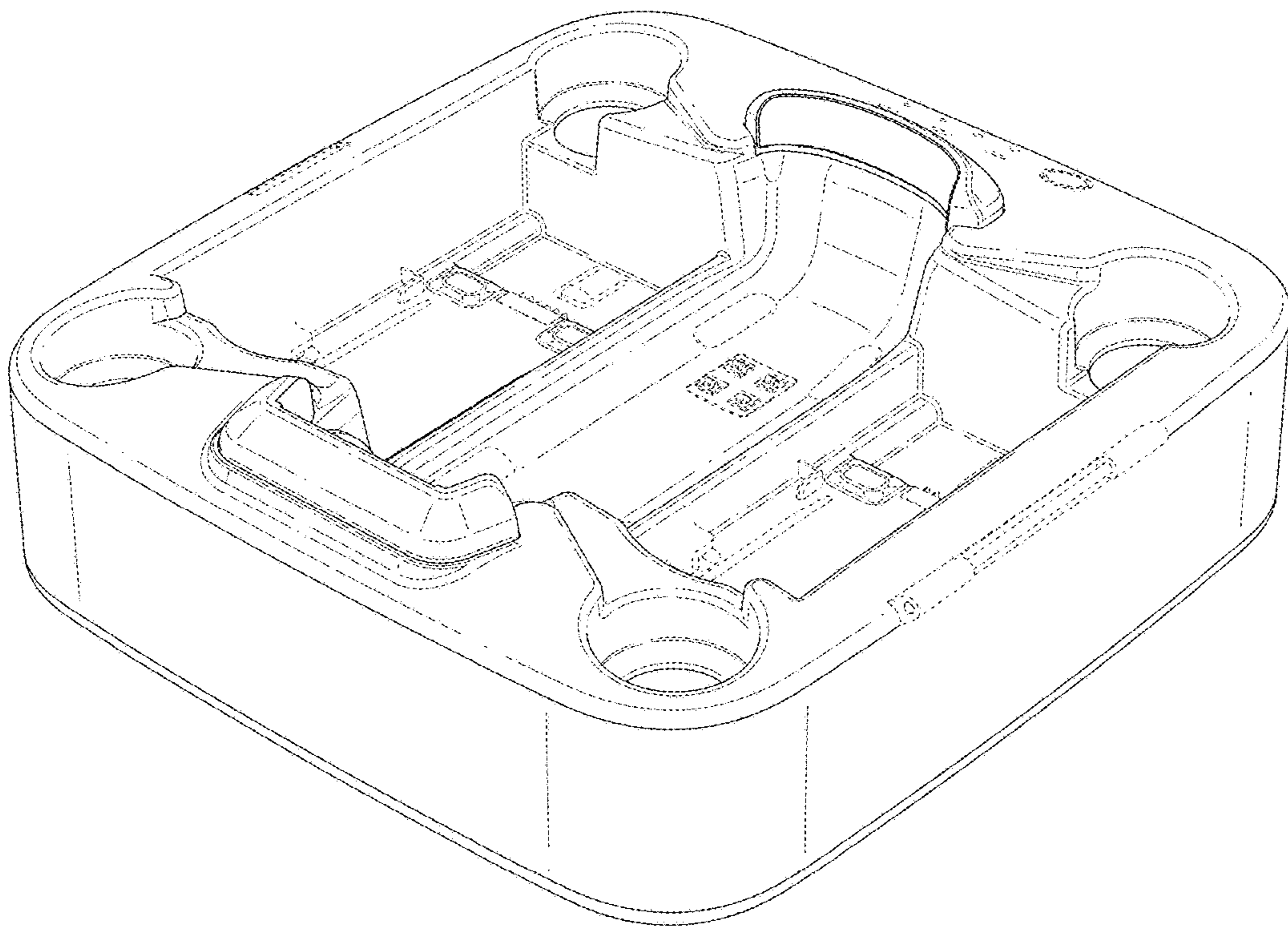


FIG. 2

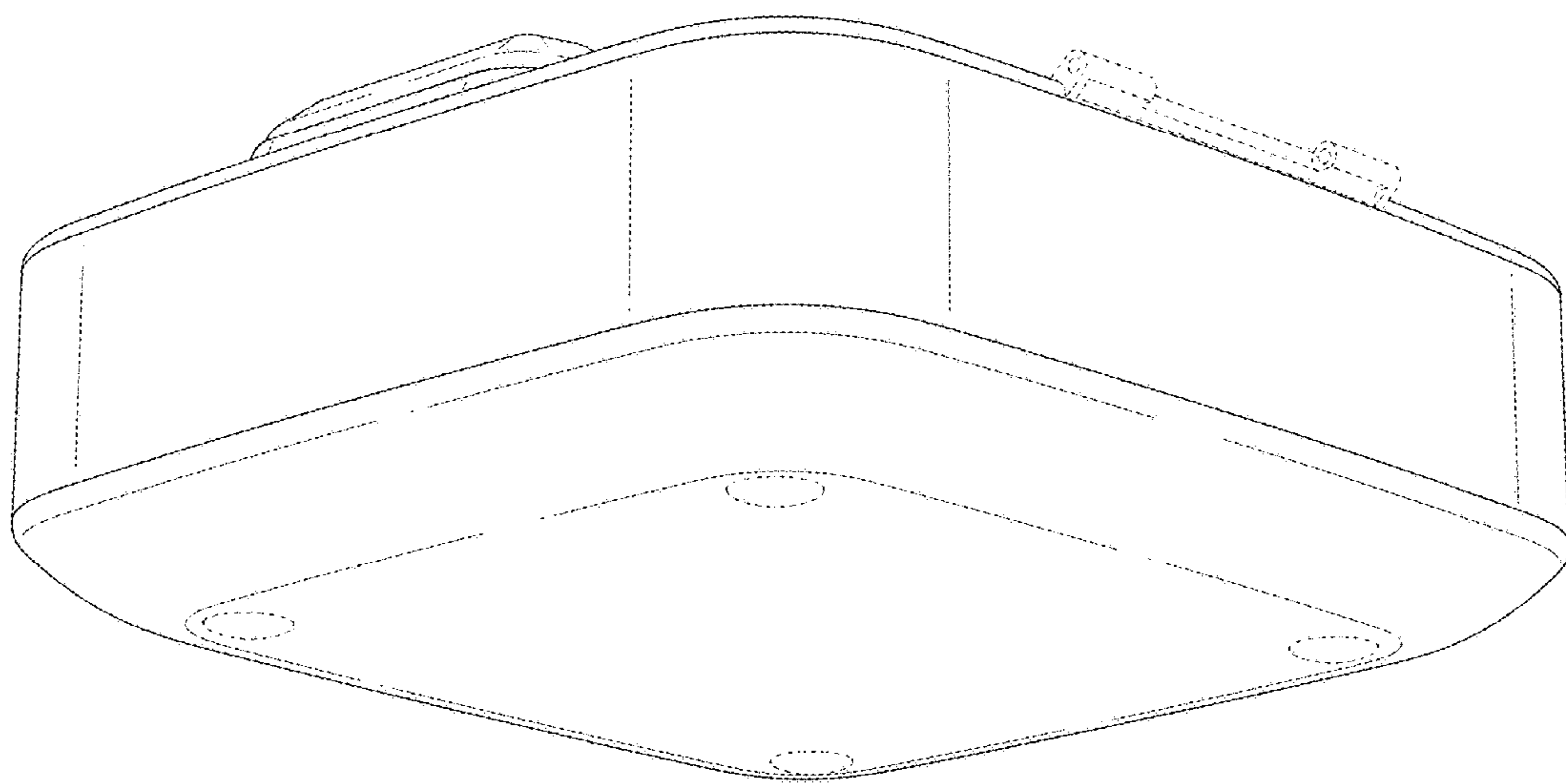


FIG. 3

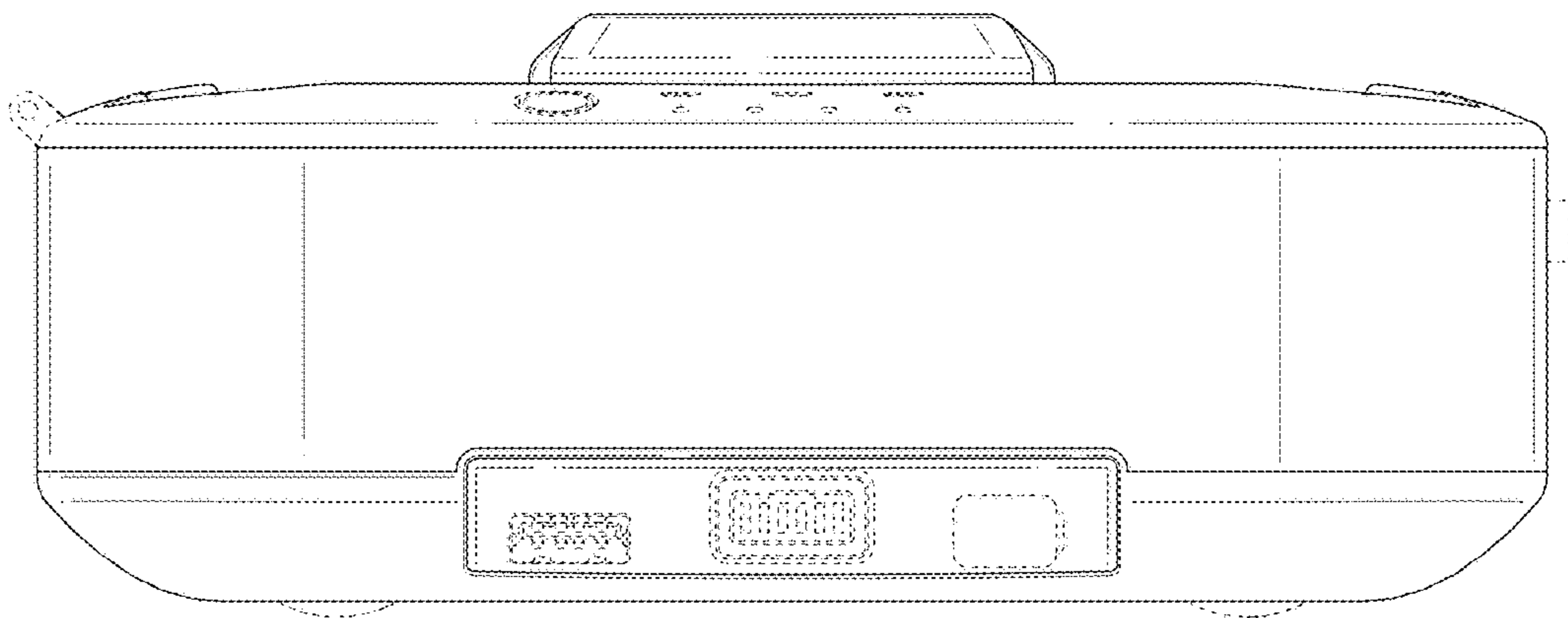


FIG. 4

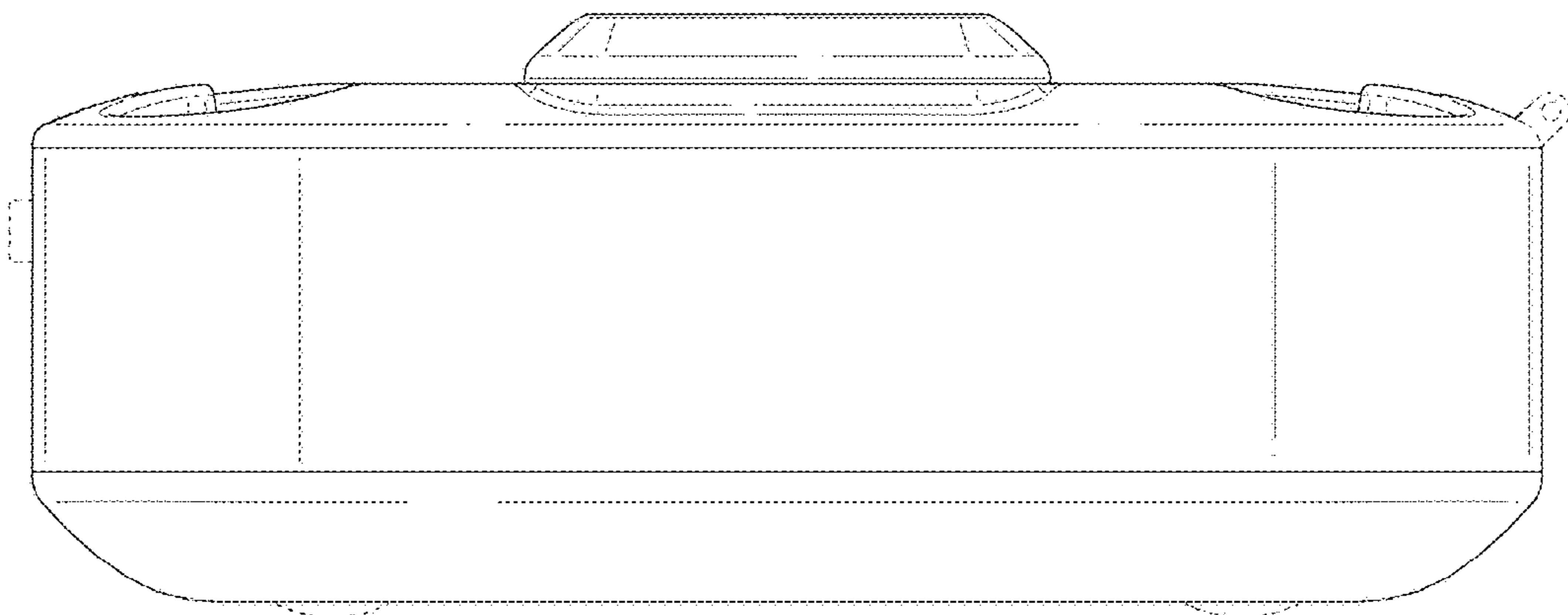


FIG. 5

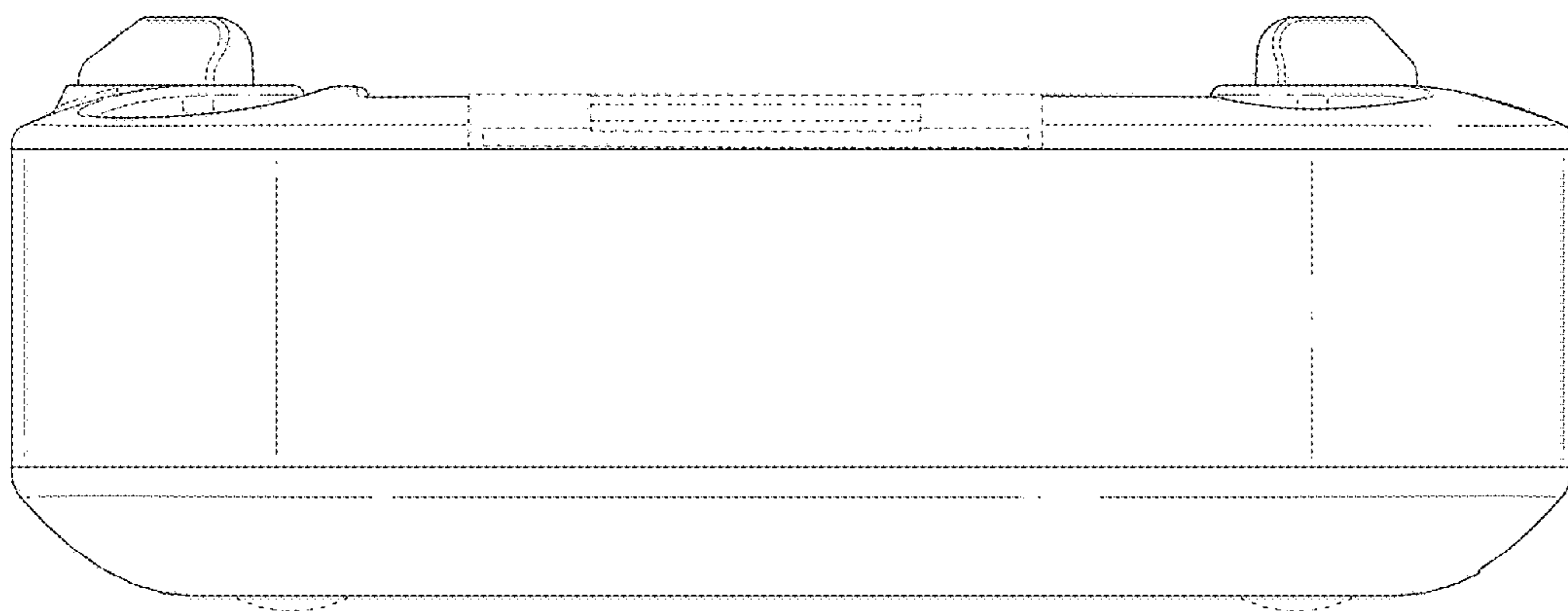


FIG. 6

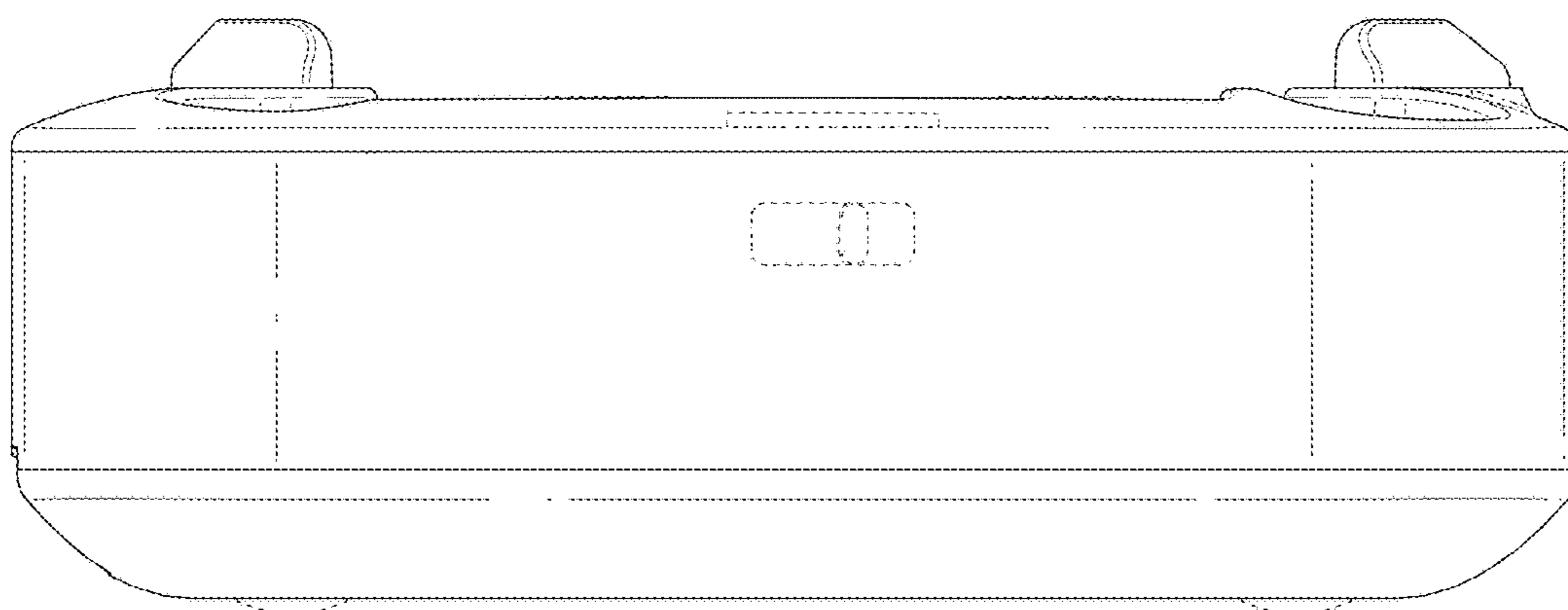


FIG. 7

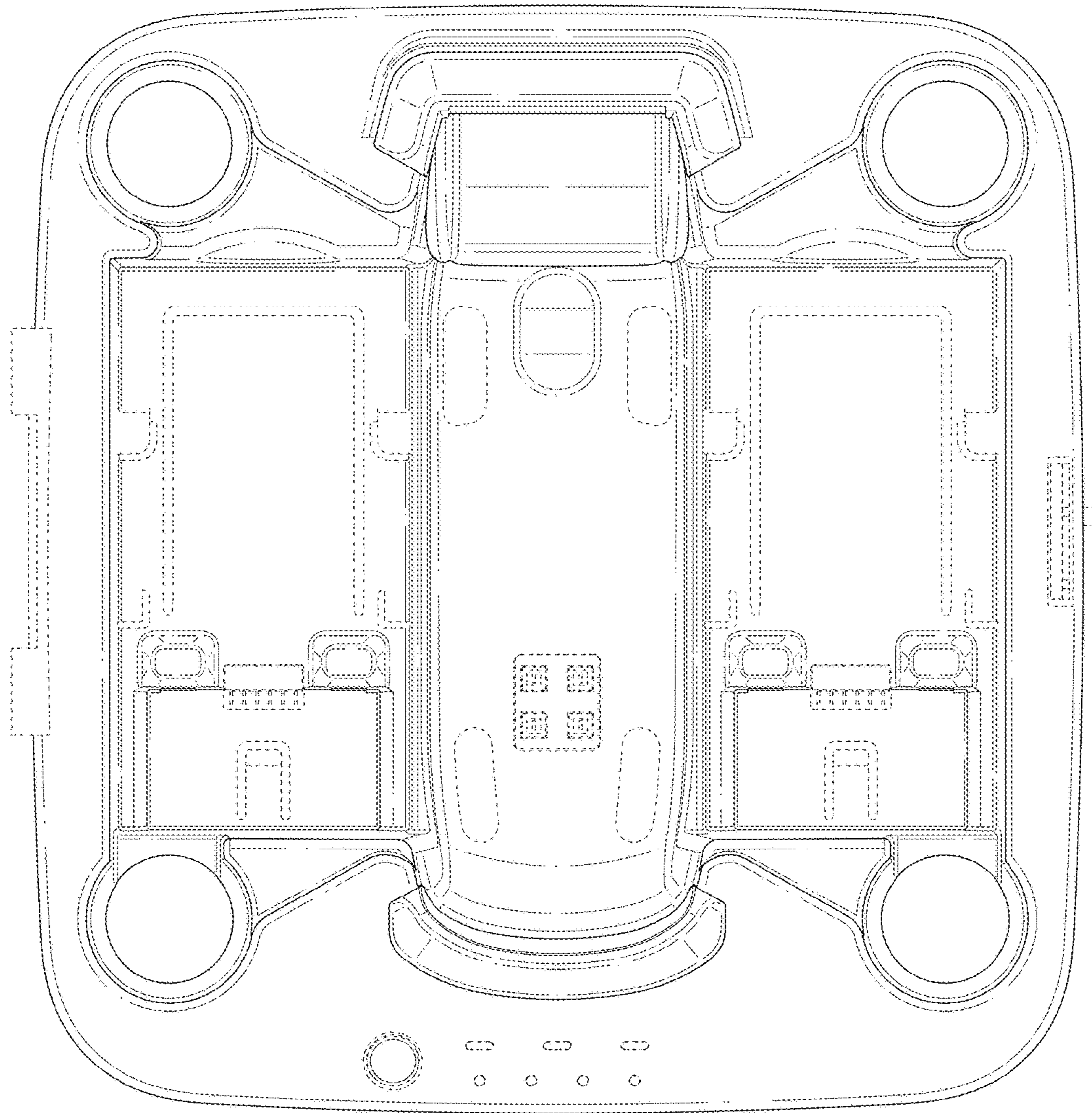


FIG. 8

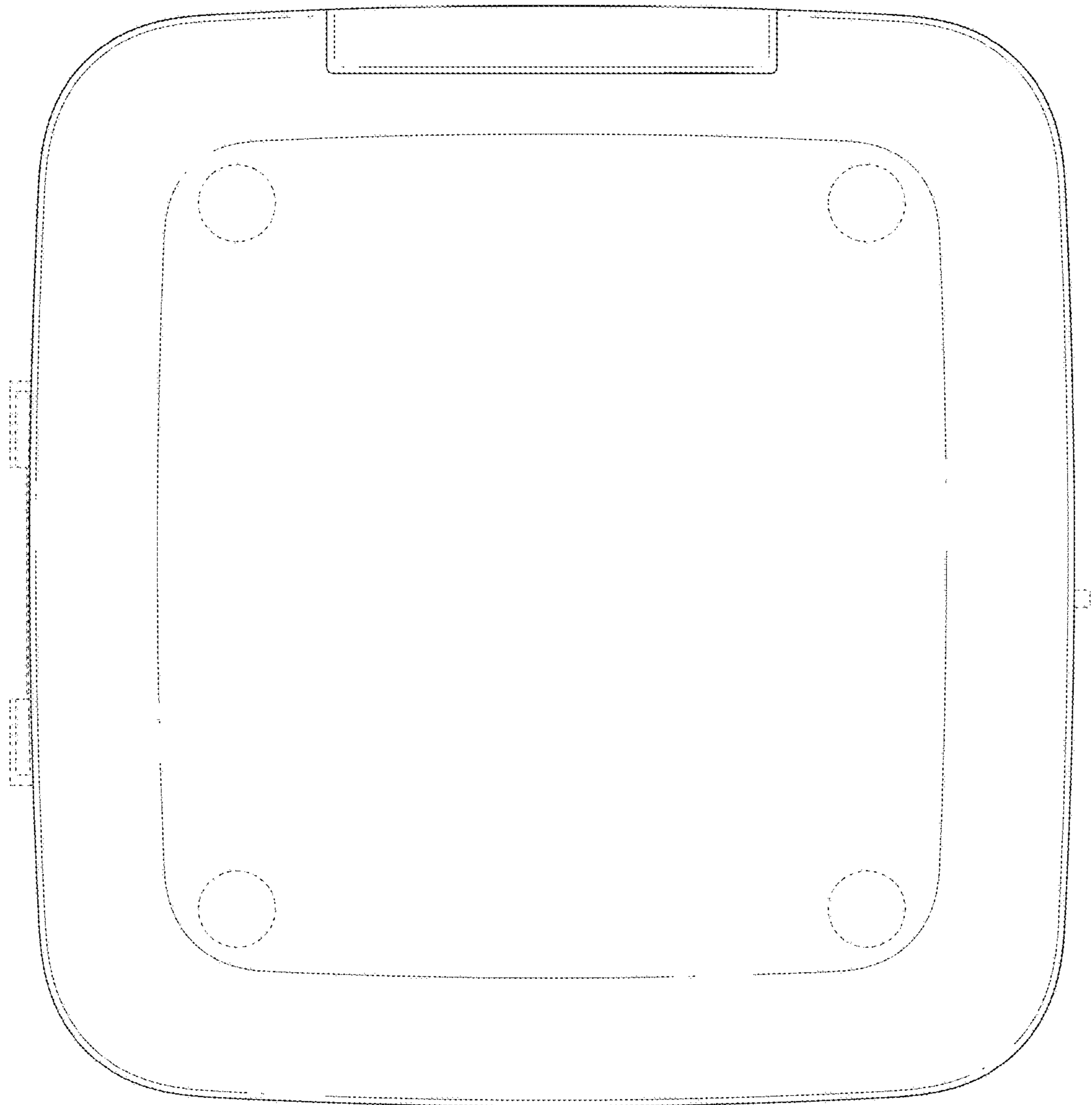


FIG. 9