



US00D845891S

(12) **United States Design Patent**  
**Dayalan**

(10) **Patent No.:** **US D845,891 S**  
(45) **Date of Patent:** **\*\* Apr. 16, 2019**

(54) **MULTI-PORT CHARGER**  
(71) Applicant: **Muthu Dayalan**, Charlotte, NC (US)  
(72) Inventor: **Muthu Dayalan**, Charlotte, NC (US)  
(\*\*) Term: **15 Years**  
(21) Appl. No.: **29/614,026**  
(22) Filed: **Aug. 15, 2017**  
(51) **LOC (11) Cl.** ..... **13-02**  
(52) **U.S. Cl.**  
USPC ..... **D13/107**  
(58) **Field of Classification Search**  
USPC ..... D13/107-110, 118-119, 184; D14/251,  
D14/253, 432, 434  
CPC ..... Y02E 60/12; Y02T 90/14; Y02T 90/122;  
Y02T 90/128; Y02T 90/163; H02J 7/025;  
H02J 7/0042; H02J 7/0044; H02J 7/0045;  
H02J 7/0003; H01F 38/14; H01M 2/1022;  
H01M 2/1055; H01M 10/44; H01M  
10/46; H01M 10/425; B60L 11/182  
See application file for complete search history.

(56) **References Cited**  
U.S. PATENT DOCUMENTS  
D628,342 S \* 11/2010 Saravis ..... D26/155  
D631,210 S \* 1/2011 Hurst ..... D30/144  
D644,274 S \* 8/2011 Nelson ..... D21/453

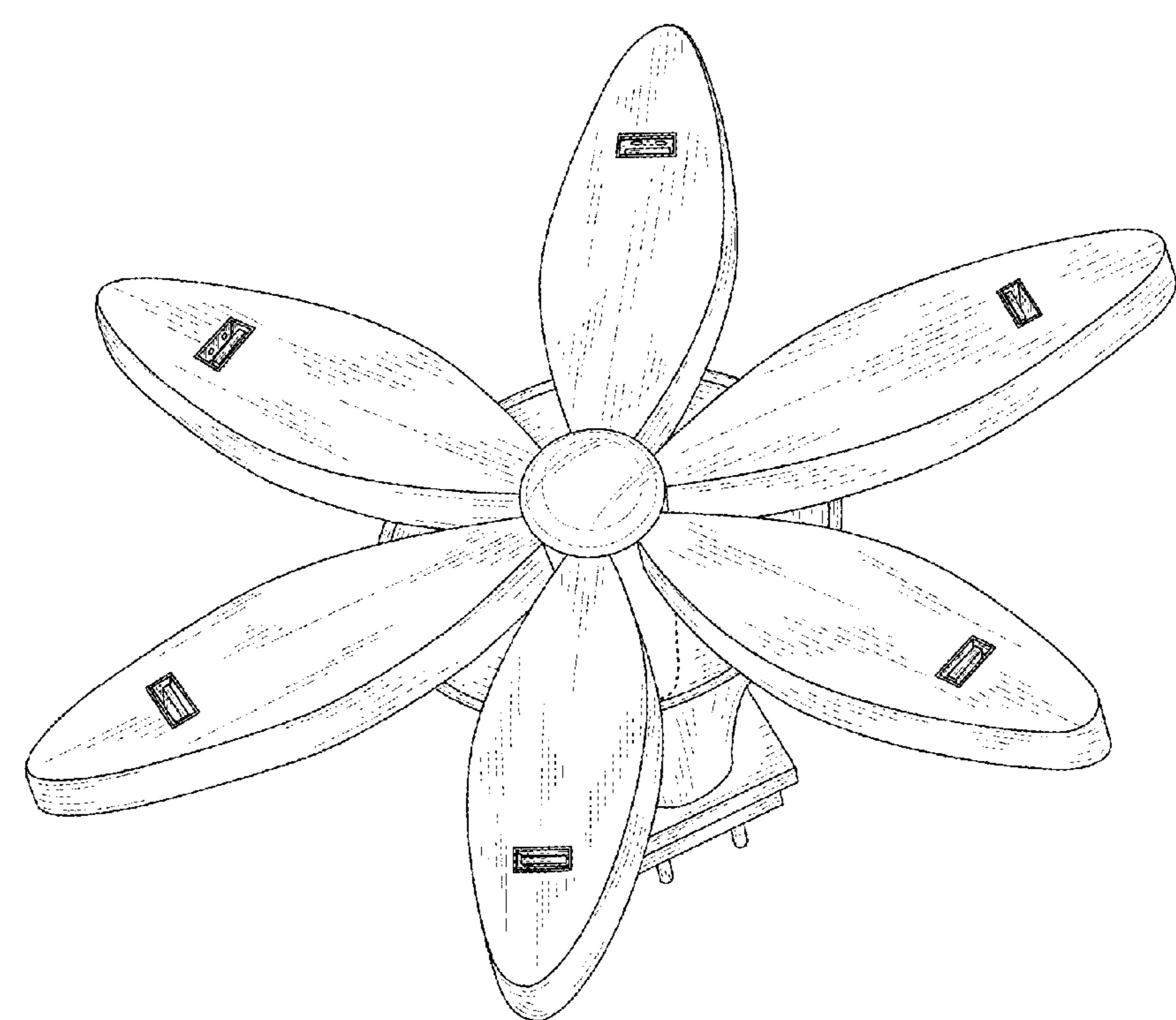
D665,153 S \* 8/2012 Suiter ..... D2/873  
D689,171 S \* 9/2013 Morelock ..... D23/304  
D712,681 S \* 9/2014 Del Russo, Jr. .... D6/600  
D739,948 S \* 9/2015 Purfey ..... D24/187  
D748,376 S \* 2/2016 Chukhadarian-Gharibian .....  
D2/869  
D751,946 S \* 3/2016 Soofer ..... D11/157  
D780,434 S \* 3/2017 Daniels ..... D2/976  
D784,259 S \* 4/2017 Huang ..... D13/108  
D797,042 S \* 9/2017 Miller ..... D13/107  
D801,578 S \* 10/2017 Keefer ..... D27/119  
D825,452 S \* 8/2018 Catania ..... D13/102  
D827,803 S \* 9/2018 Fox ..... D23/367

\* cited by examiner  
*Primary Examiner* — Rosemary K Tarcza  
*Assistant Examiner* — Nathaniel D. Buckner

(57) **CLAIM**  
The ornamental design for a multi-port charger, as shown and described.

**DESCRIPTION**  
FIG. 1 is a top perspective view of a multi-port charger;  
FIG. 2 is a bottom perspective view thereof;  
FIG. 3 is a top plan view thereof;  
FIG. 4 is a bottom plan view thereof;  
FIG. 5 is a front elevational view thereof;  
FIG. 6 is a right side elevational view thereof;  
FIG. 7 is a rear elevational view thereof; and,  
FIG. 8 is a left elevational view thereof.

**1 Claim, 8 Drawing Sheets**



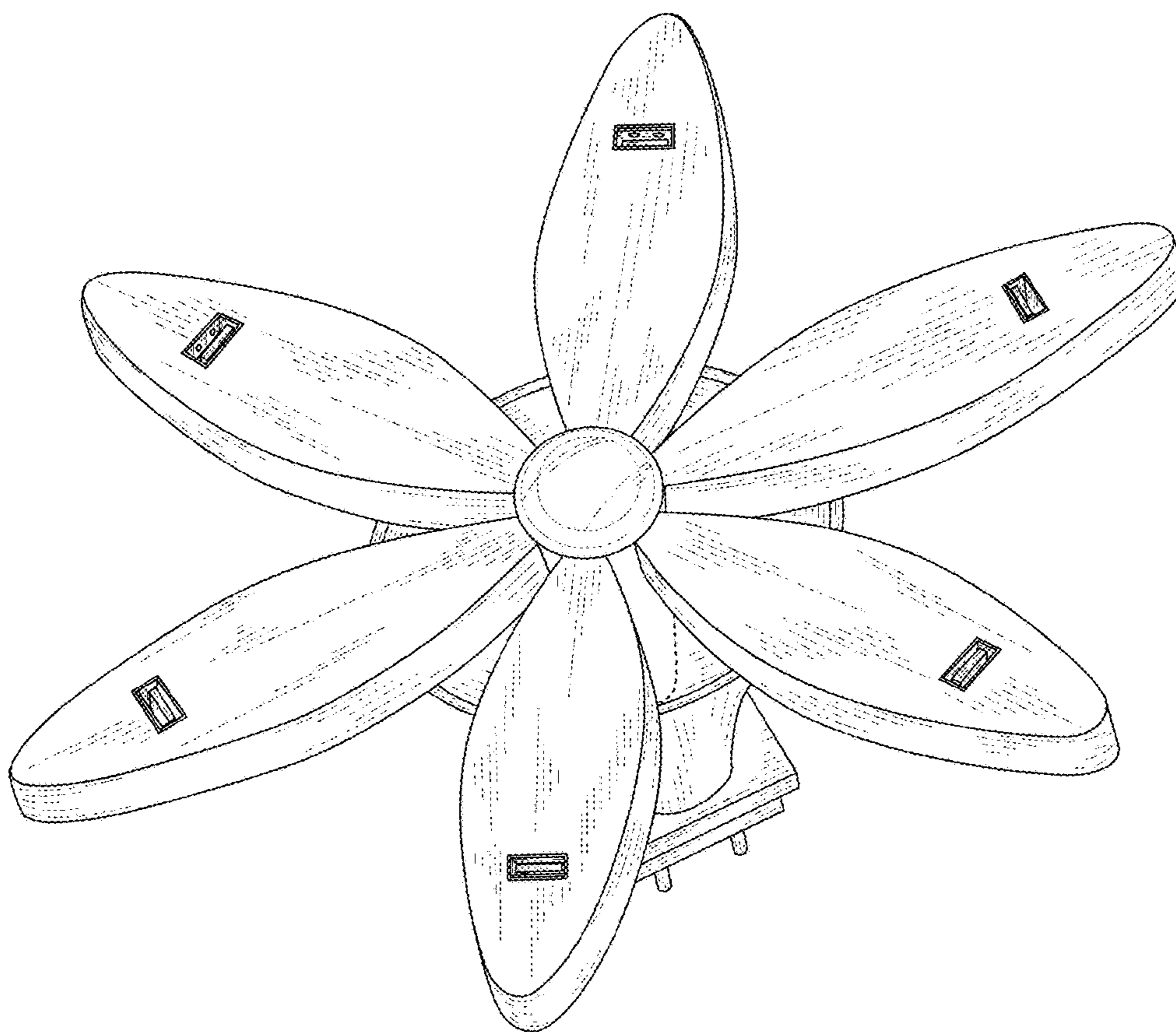


FIG. 1

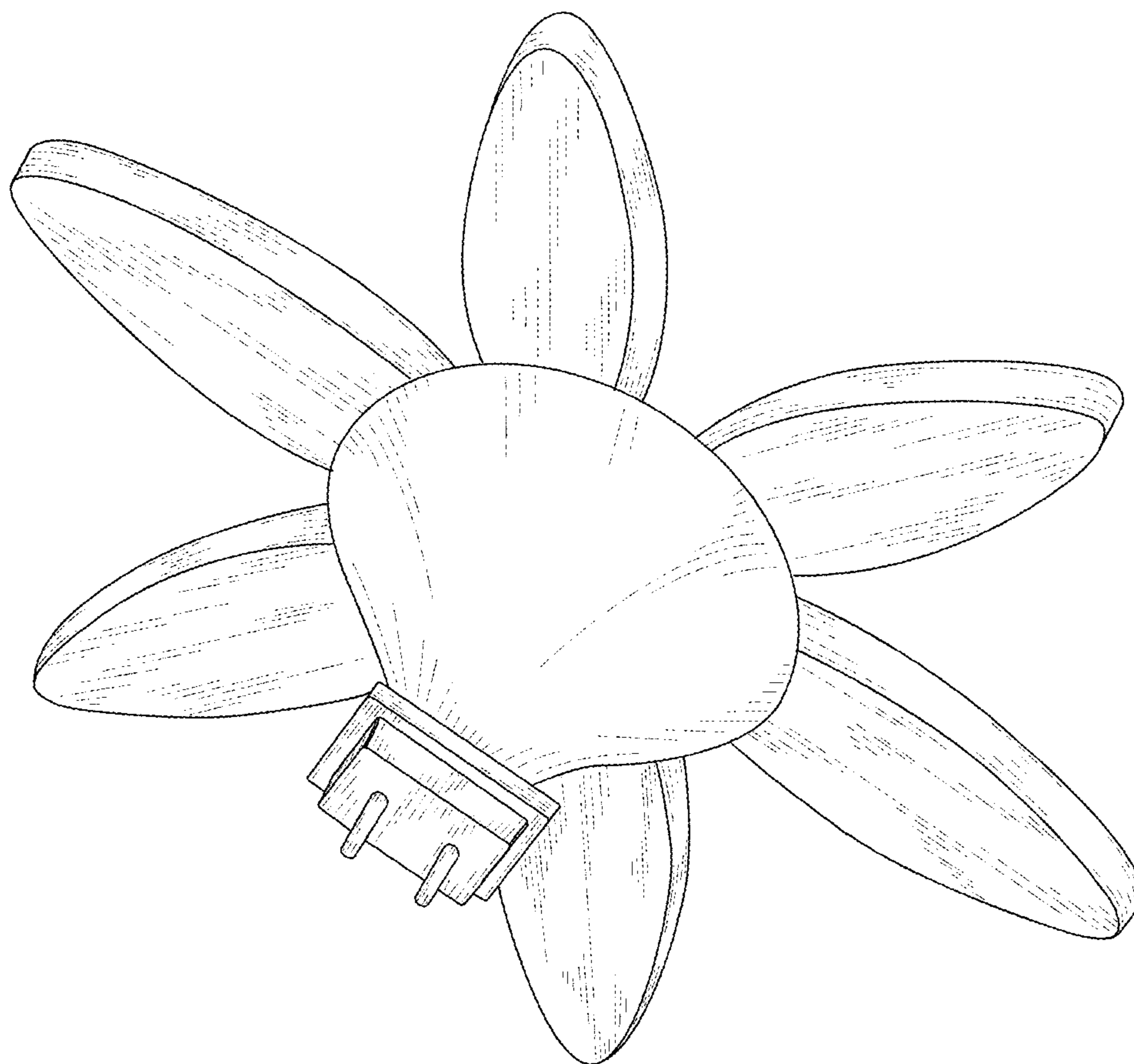


FIG. 2

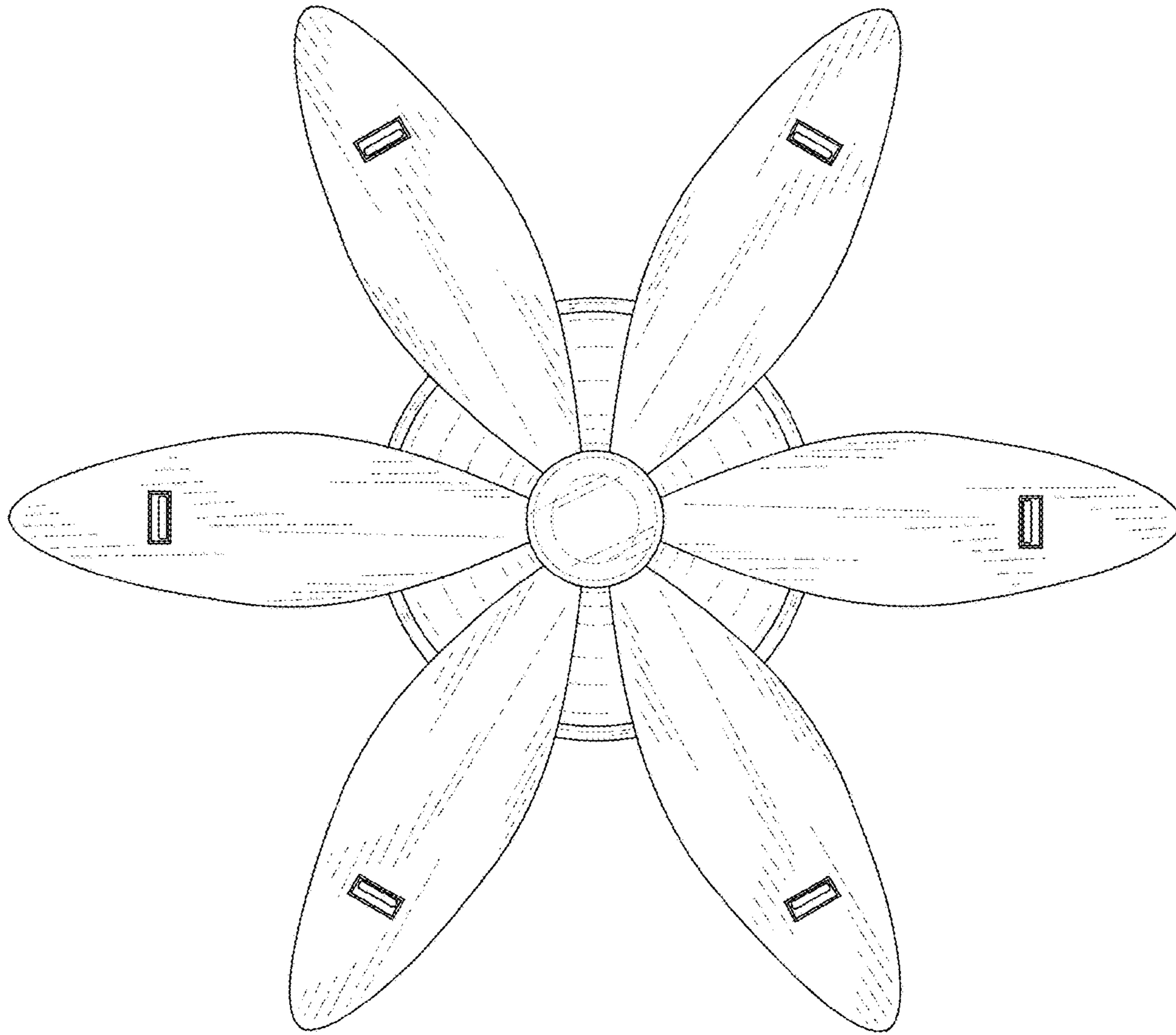


FIG. 3

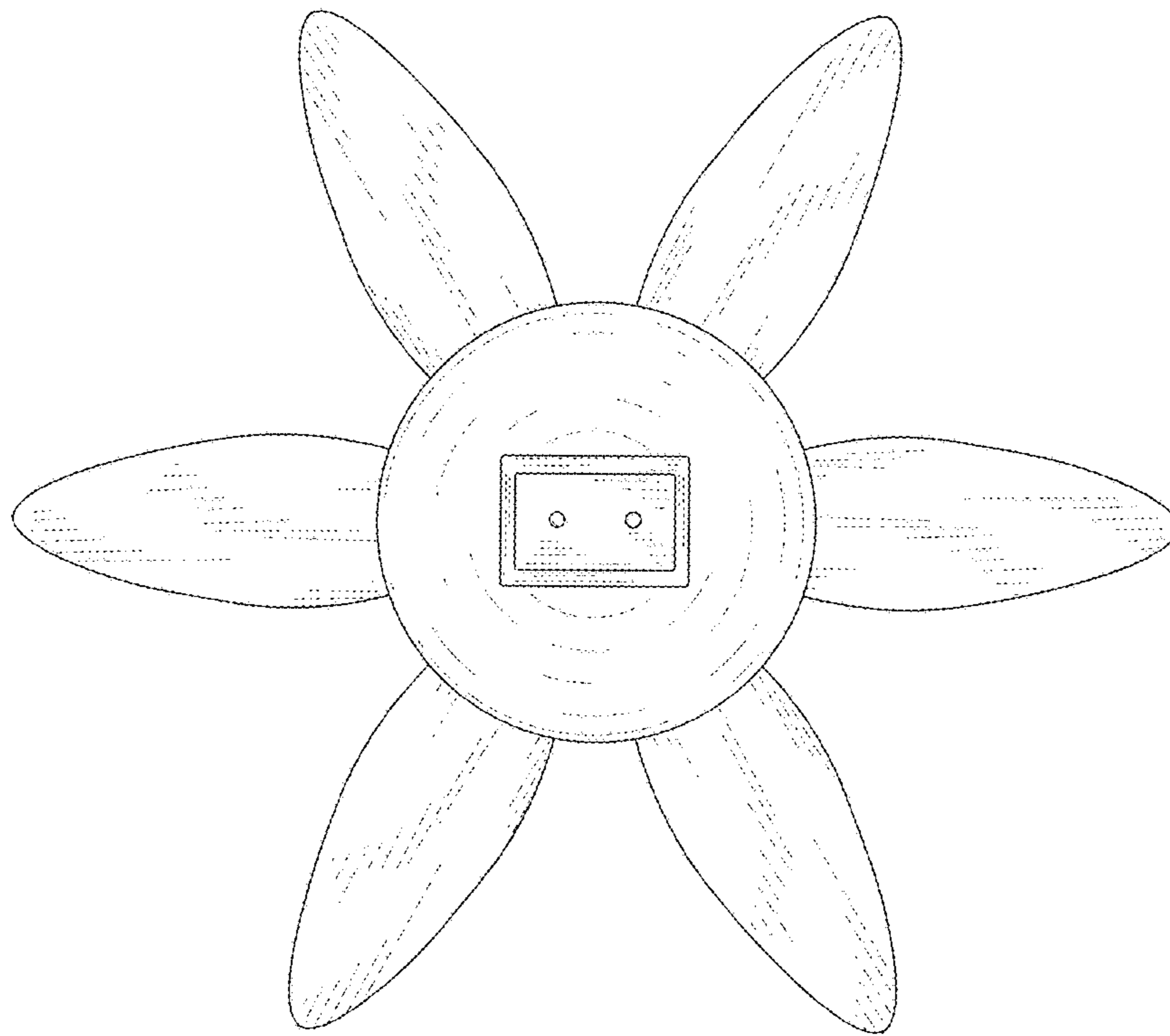


FIG. 4

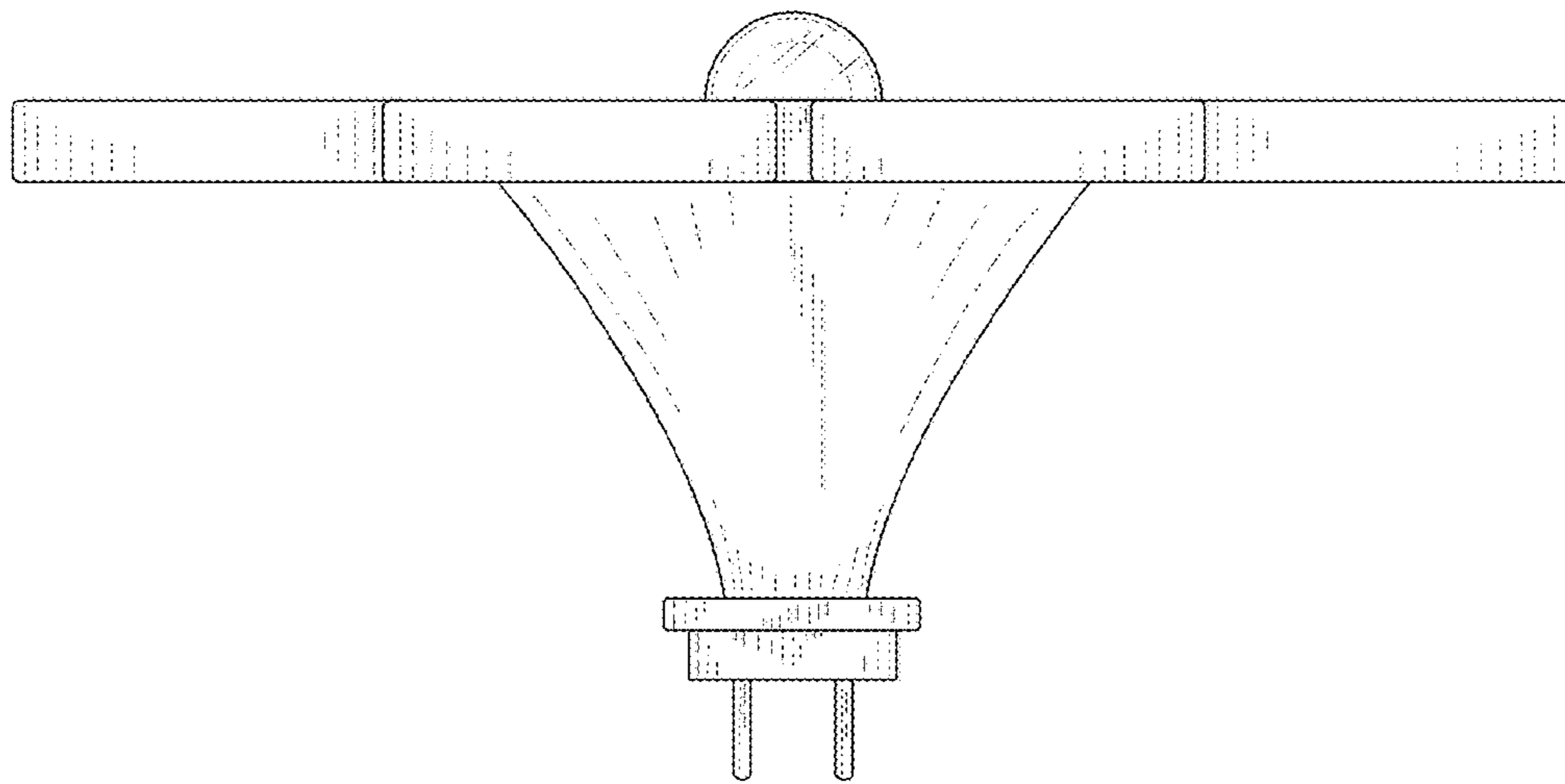


FIG. 5

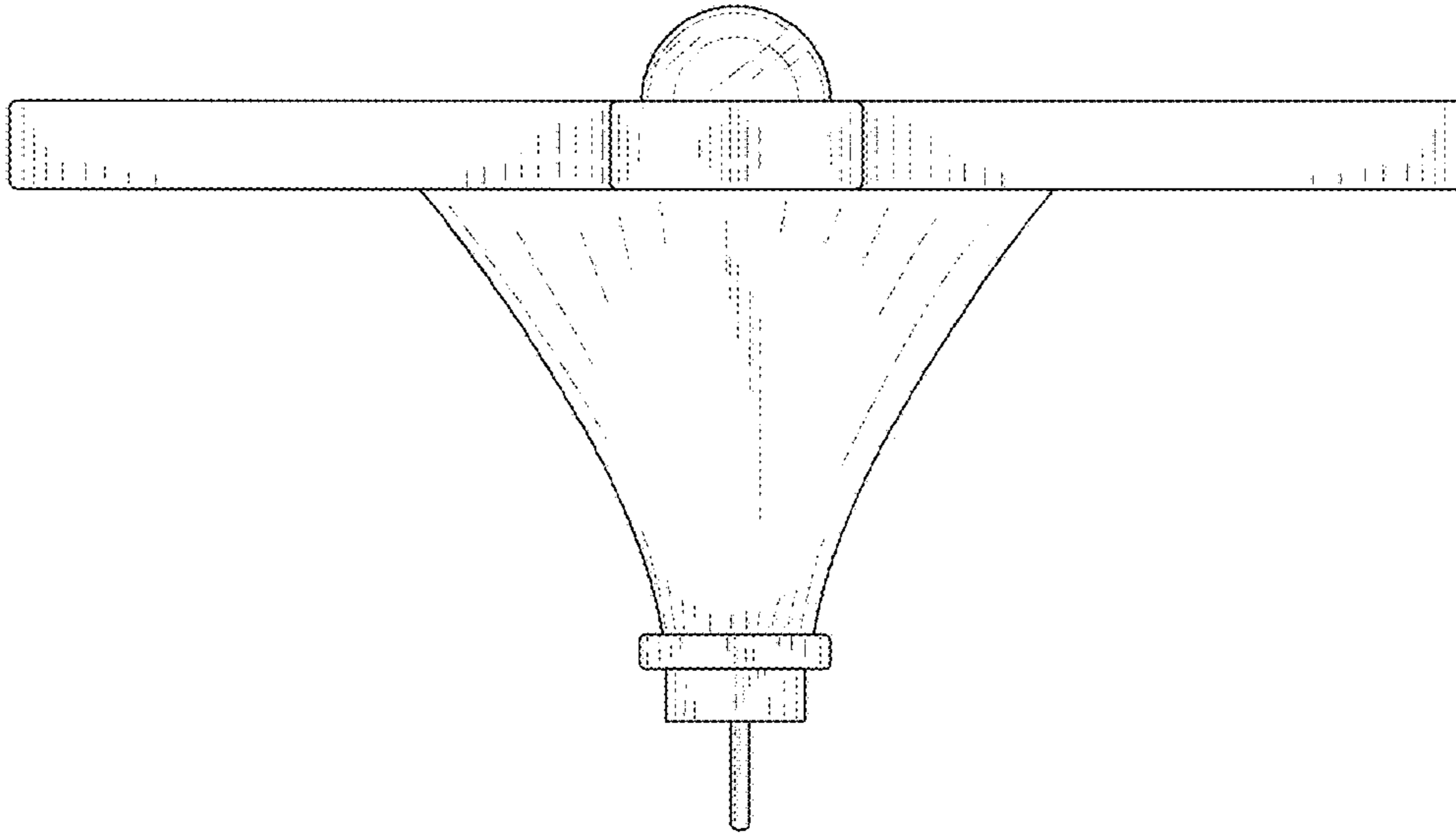


FIG. 6

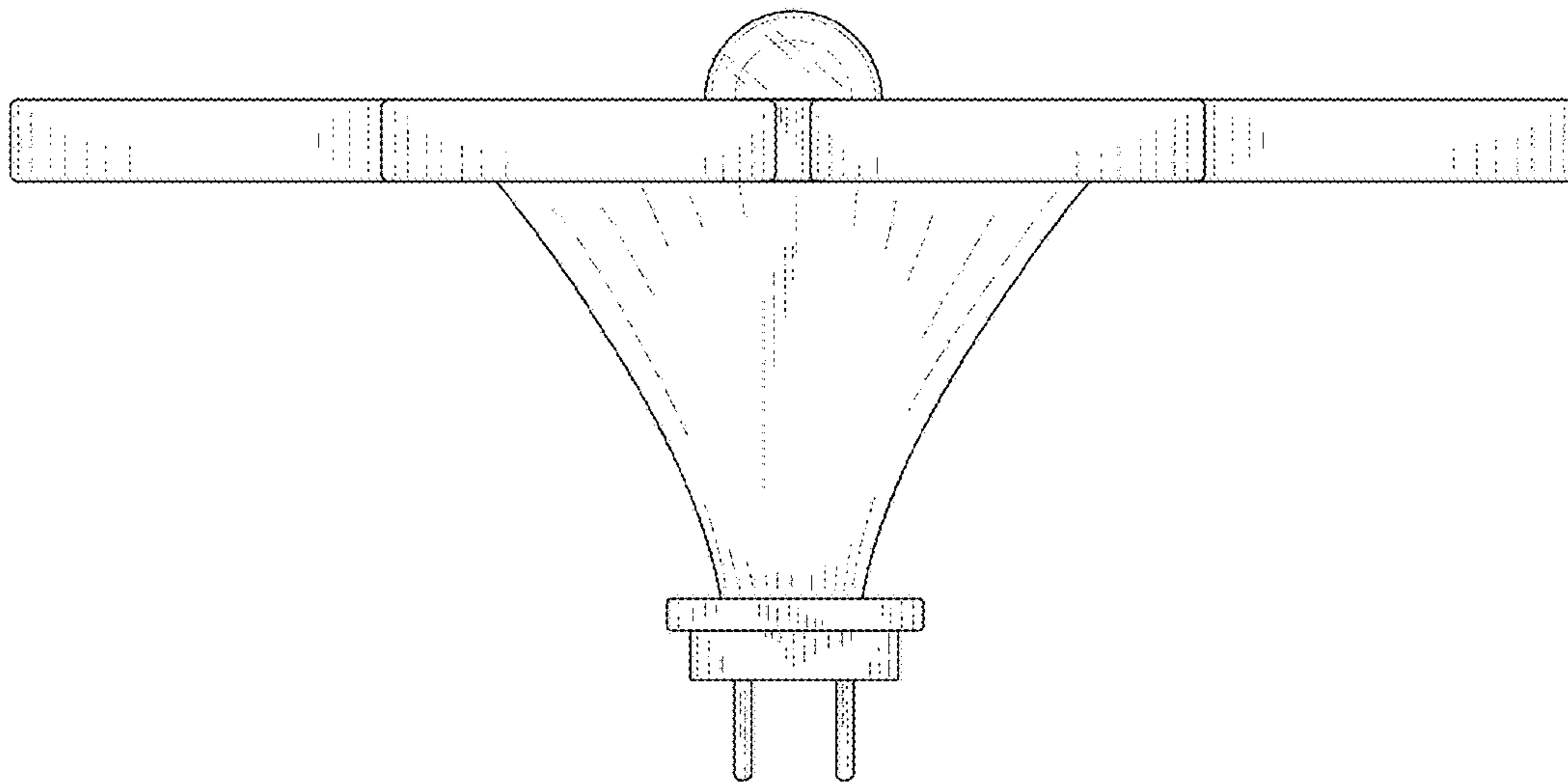


FIG. 7



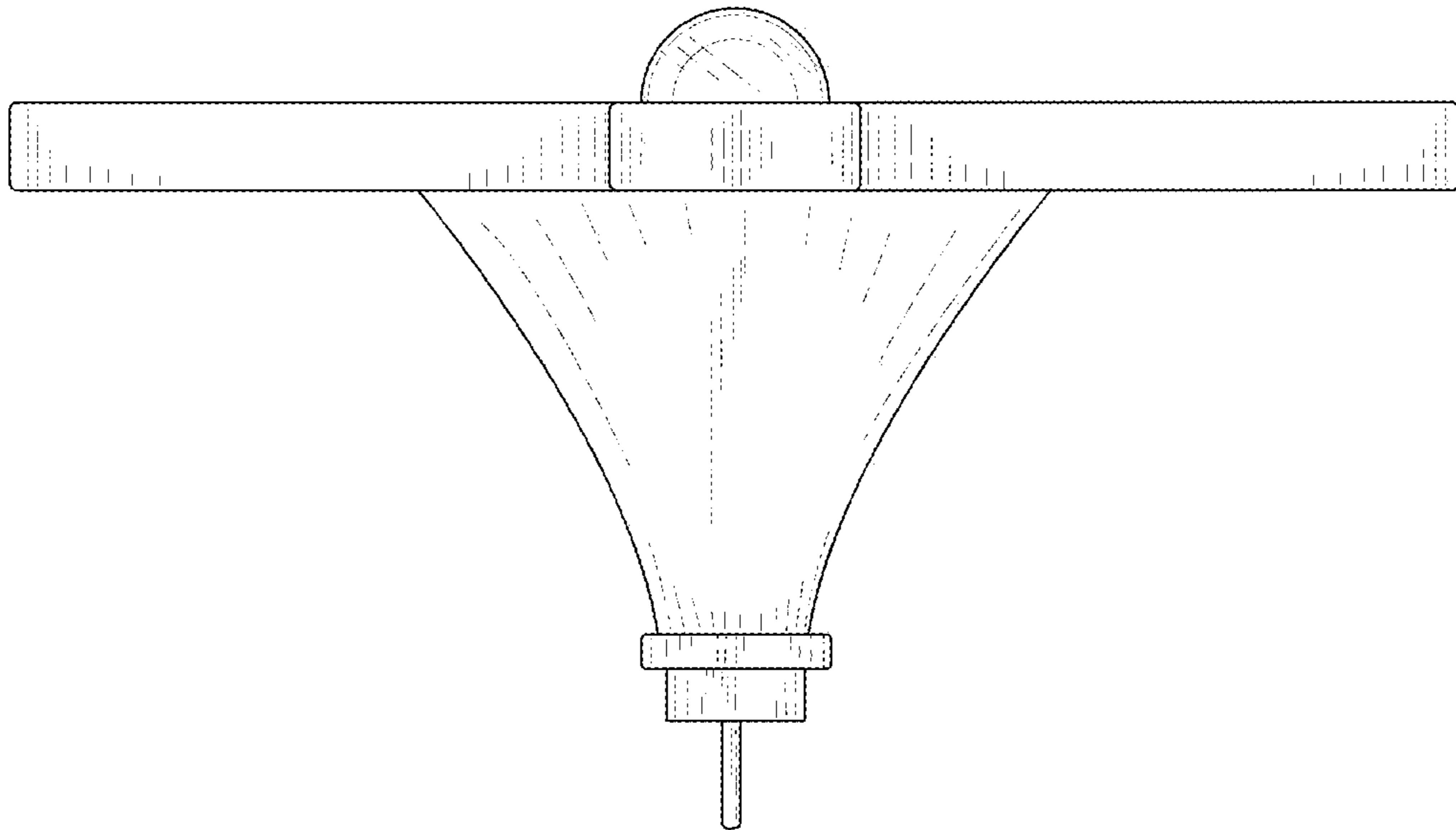


FIG. 8