



US00D845875S

(12) **United States Design Patent**
Bookman

(10) **Patent No.:** **US D845,875 S**

(45) **Date of Patent:** **** Apr. 16, 2019**

(54) **PORTABLE AIRPLANE TRAY COVER**

2014/0377499 A1* 12/2014 Davino B64D 11/0638
428/99

(71) Applicant: **Nicole Bookman**, San Francisco, CA
(US)

* cited by examiner

(72) Inventor: **Nicole Bookman**, San Francisco, CA
(US)

Primary Examiner — Katrina A Betton

(**) Term: **15 Years**

(57) **CLAIM**

The ornamental design for a portable airplane tray cover, as shown and described.

(21) Appl. No.: **29/625,935**

DESCRIPTION

(22) Filed: **Nov. 14, 2017**

(51) **LOC (11) Cl.** **12-16**

(52) **U.S. Cl.**
USPC **D12/416**

(58) **Field of Classification Search**
USPC D12/416, 415, 417-419, 423

CPC B65D 33/00; B64D 11/0636; B60N 3/004
See application file for complete search history.

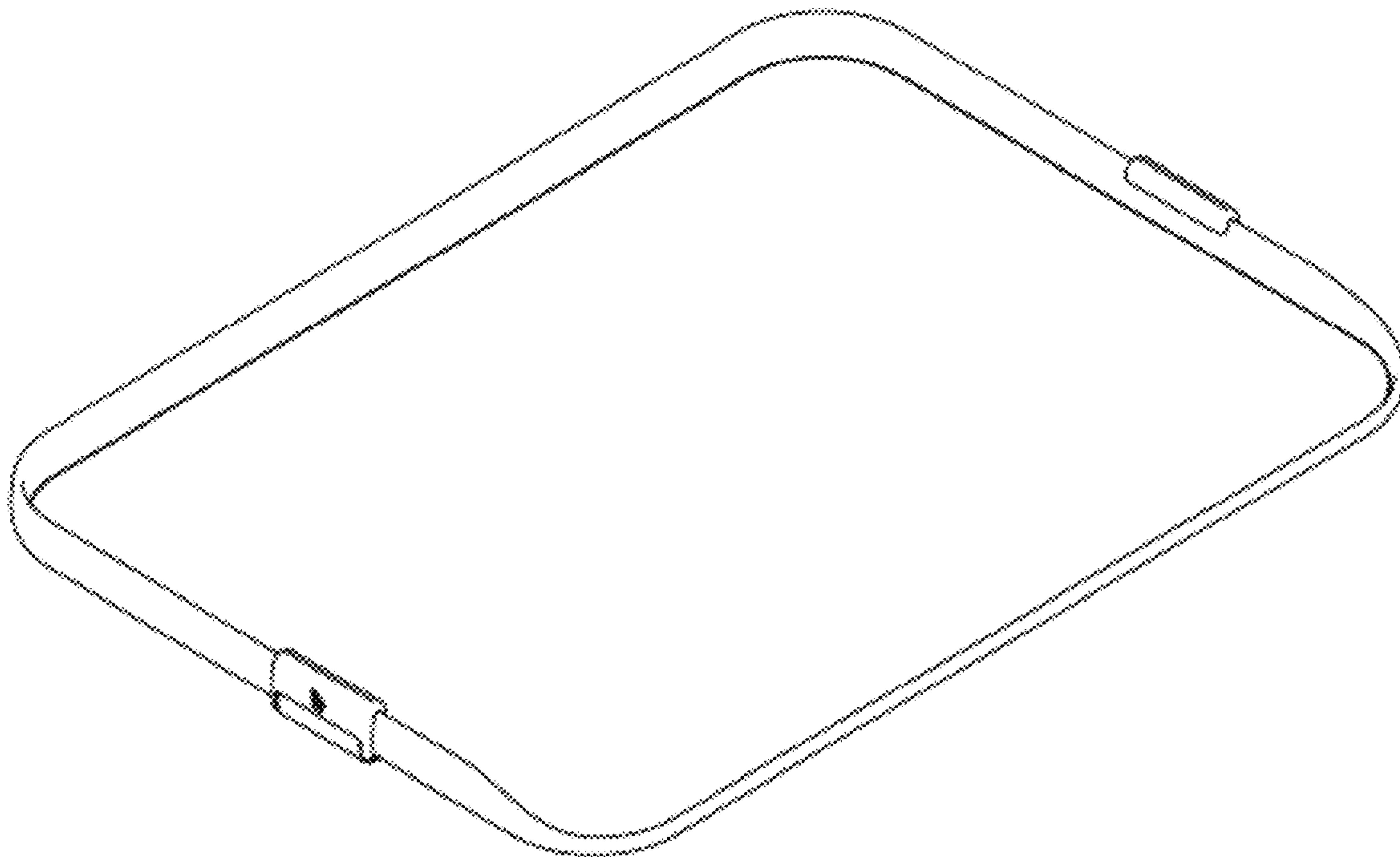
FIG. 1 is a back view of the portable airplane tray cover of the present invention.
FIG. 2 is a top view of the portable airplane tray cover of the present invention.
FIG. 3 is a front view of the portable airplane tray cover of the present invention.
FIG. 4 is a side view of the portable airplane tray cover of the present invention.
FIG. 5 is a top perspective view of the portable airplane tray cover of the present invention.
FIG. 6 is a bottom perspective view of the portable airplane tray cover of the present invention.
FIG. 7 is a top perspective view showing the removable liner of the top portion of the portable airplane tray cover of the present invention; and,
FIG. 8 is a bottom perspective view showing a bottom grip surface of the portable airplane tray cover of the present invention.

(56) **References Cited**

U.S. PATENT DOCUMENTS

D473,840 S	*	4/2003	Sauer	D12/416
D650,733 S	*	12/2011	Cooney	D12/416
D658,568 S	*	5/2012	Currier	D12/416
D758,498 S	*	6/2016	Basil	D21/392
D765,580 S	*	9/2016	Pumphrey	D12/415

1 Claim, 3 Drawing Sheets



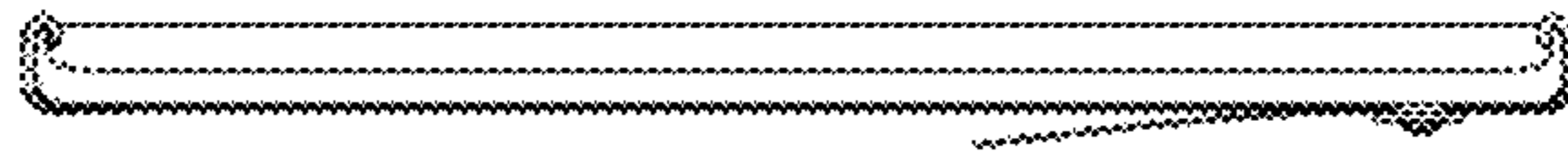


FIGURE 1

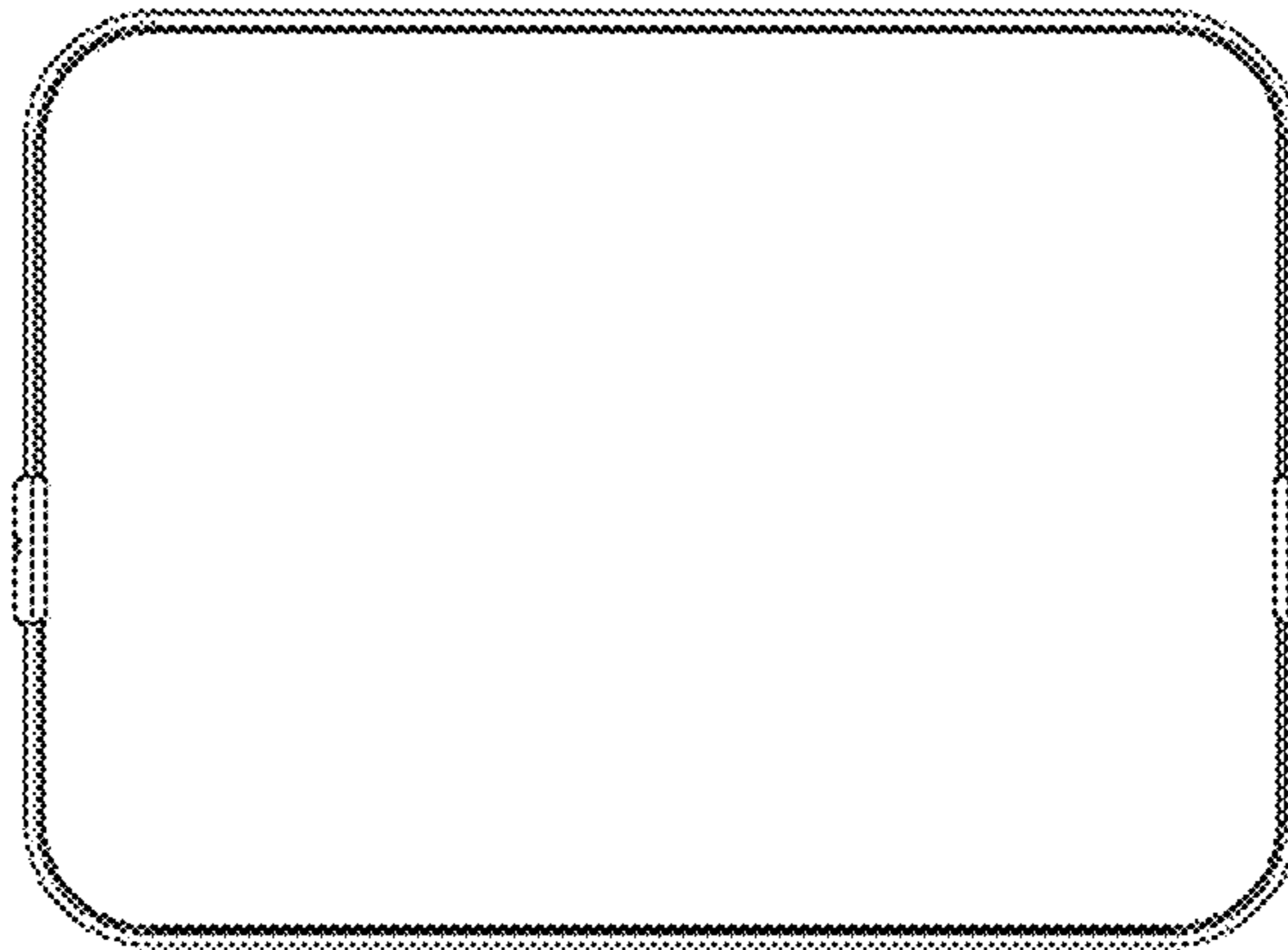


FIGURE 2

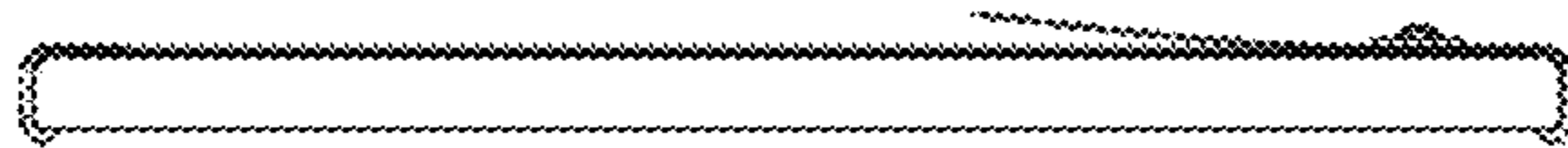


FIGURE 3

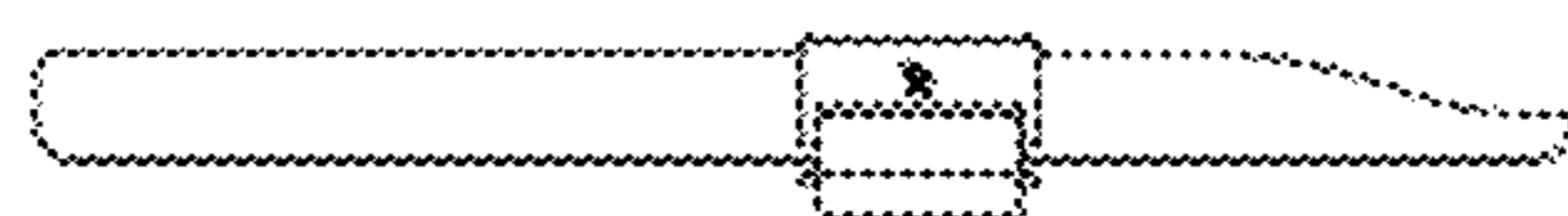


FIGURE 4

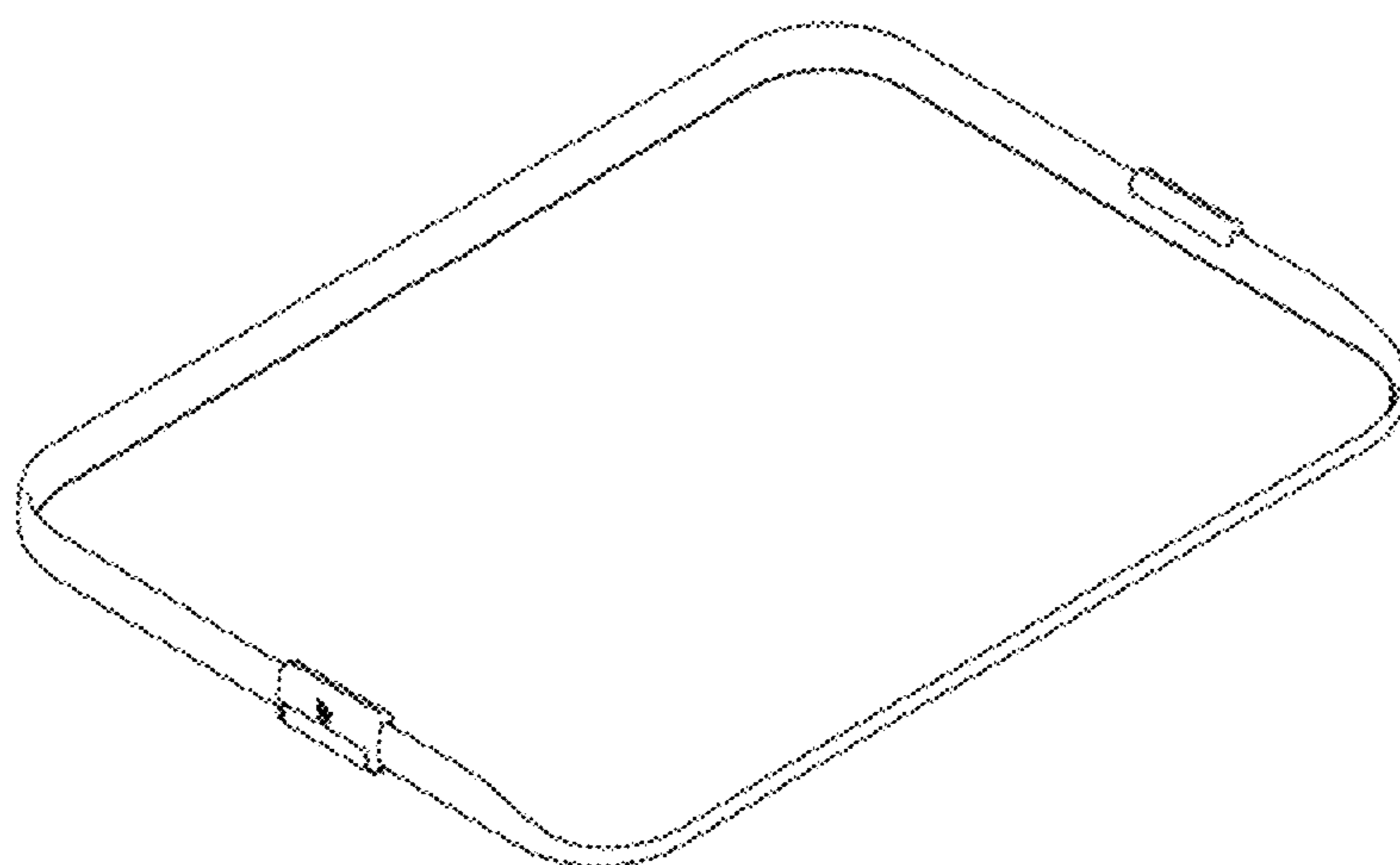


FIGURE 5

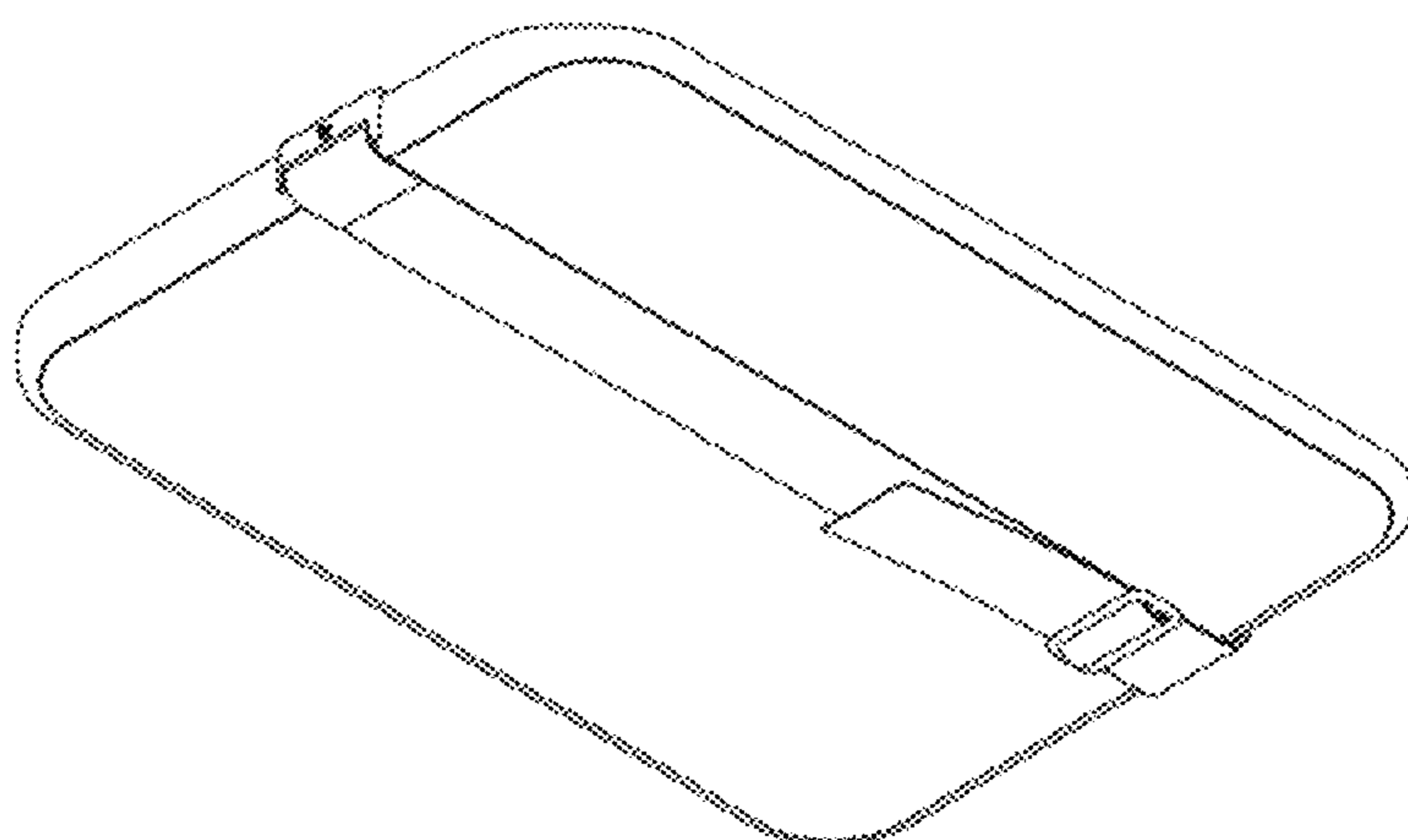


FIGURE 6

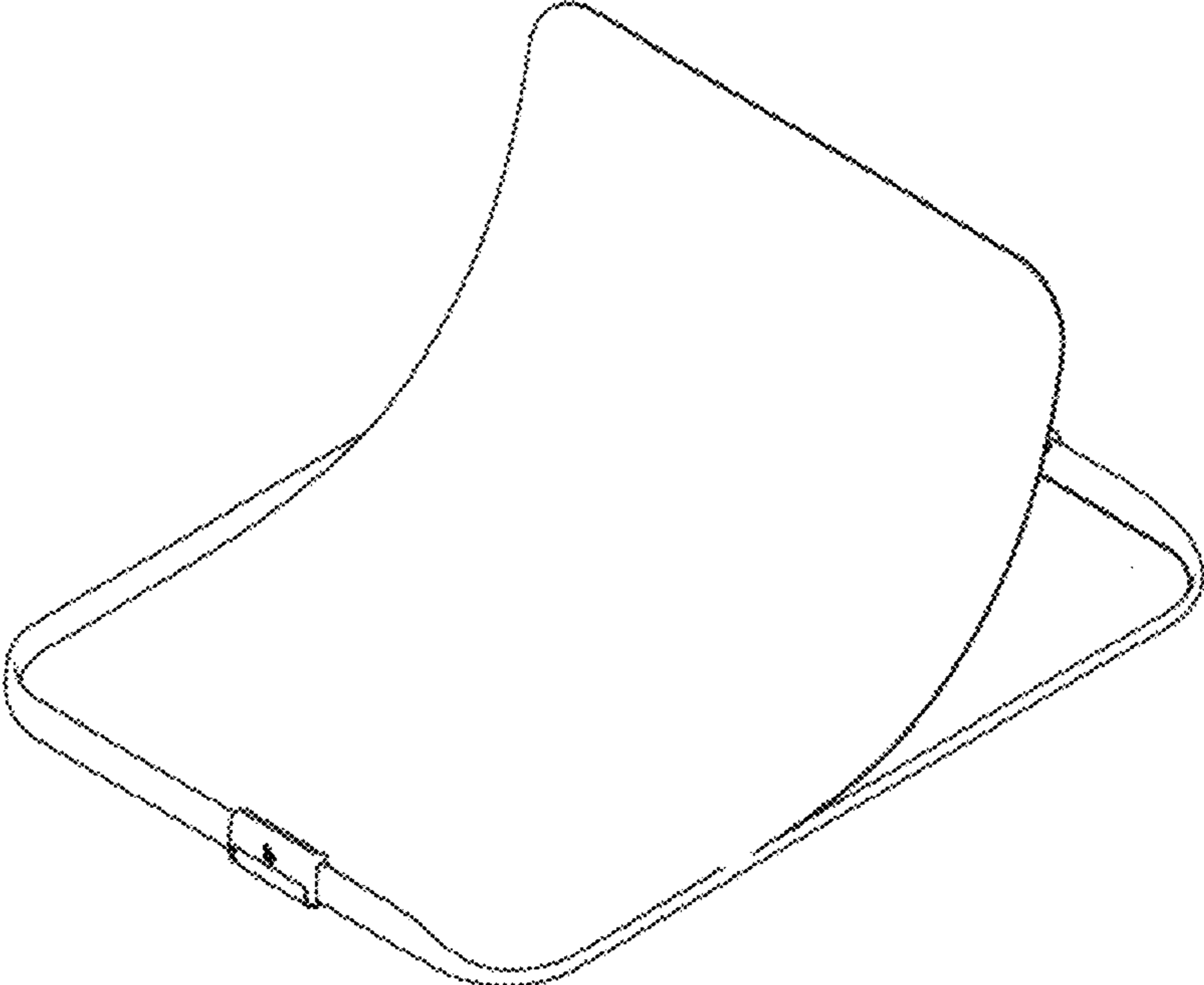


FIGURE 7

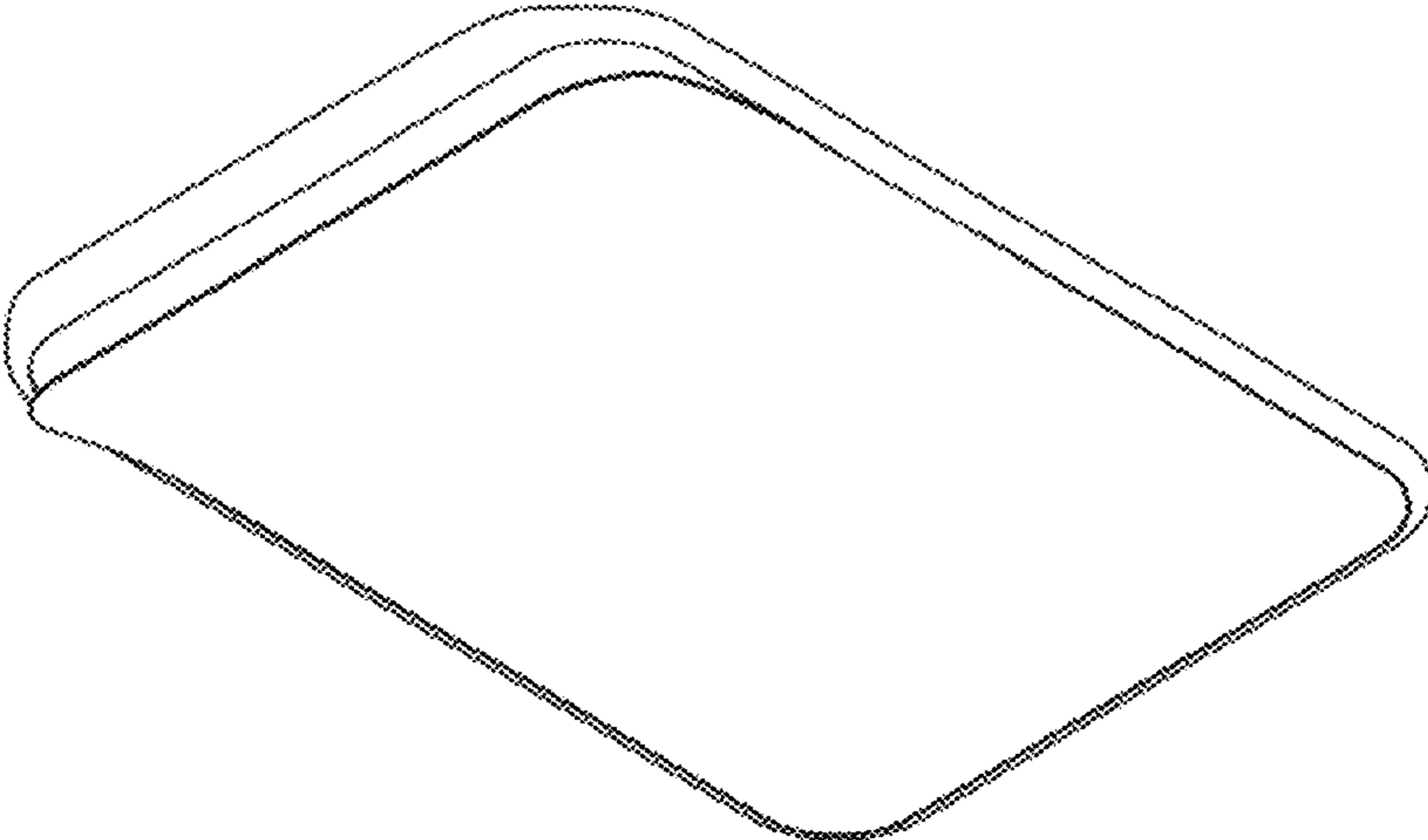


FIGURE 8