



US00D845873S

(12) **United States Design Patent** (10) **Patent No.:** **US D845,873 S**
Stoneburner et al. (45) **Date of Patent:** **** Apr. 16, 2019**

(54) **CARGO BASKET**
(71) Applicant: **Yakima Products, Inc.**, Lake Oswego, OR (US)
(72) Inventors: **Warren E. Stoneburner**, Portland, OR (US); **Jason Attfield Sagen**, Portland, OR (US); **Gian-Marco D'Angelo**, Portland, OR (US); **Scott A. McFadden**, Portland, OR (US)

(73) Assignee: **Yakima Products, Inc.**, Lake Oswego, OR (US)

(**) Term: **15 Years**

(21) Appl. No.: **29/609,308**

(22) Filed: **Jun. 29, 2017**

(51) **LOC (11) Cl.** **12-16**

(52) **U.S. Cl.**
USPC **D12/407**

(58) **Field of Classification Search**
USPC D12/86, 91, 169, 214, 407, 88, 92, 215, D12/406, 412-414, 414.1, 16.1, 300, 305, D12/317, 319, 328, 330, 344-345, 110, D12/114, 126, 409-410, 415, 115, 120, D12/402, 408, 553-604, 900; D6/552; D3/304-306
CPC .. B60R 9/00; B60R 9/04; B60R 9/042; B60R 9/0423; B60R 9/045; B60R 9/0485; B60R 9/05; B60R 9/052; B60R 9/055; B60R 9/058; B60R 9/06; B60R 9/10; B60R 7/02; B60R 9/02; B60R 9/12; B62J 1/16; B62J 6/02; B62J 7/00; B62J 7/04; B62J 9/00; B62J 9/005; B62J 9/006; B62J 11/00; B62J 99/00; B63J 9/003; B62K 11/04; A63B 71/0045
See application file for complete search history.

(56) **References Cited**

U.S. PATENT DOCUMENTS

D182,705 S * 5/1958 Binding D12/412
D201,013 S * 5/1965 Duer D12/412

D222,984 S * 2/1972 Heltzen D12/407
D239,618 S * 4/1976 Duer D12/412
D374,422 S * 10/1996 Gogan D12/407
D374,652 S * 10/1996 Gogan D12/407
D399,479 S * 10/1998 Jones B60R 9/10
D12/407

(Continued)

OTHER PUBLICATIONS

Yakima, Load Warrior User Manual, retrieved from the internet on Aug. 16, 2017 at URL: <https://assets.yakima.com/product/instructions/8007070>, 8 pages.

Primary Examiner — Robin V Webster
Assistant Examiner — Rachel A Voorhies

(74) *Attorney, Agent, or Firm* — Kolisch Hartwell, P.C.

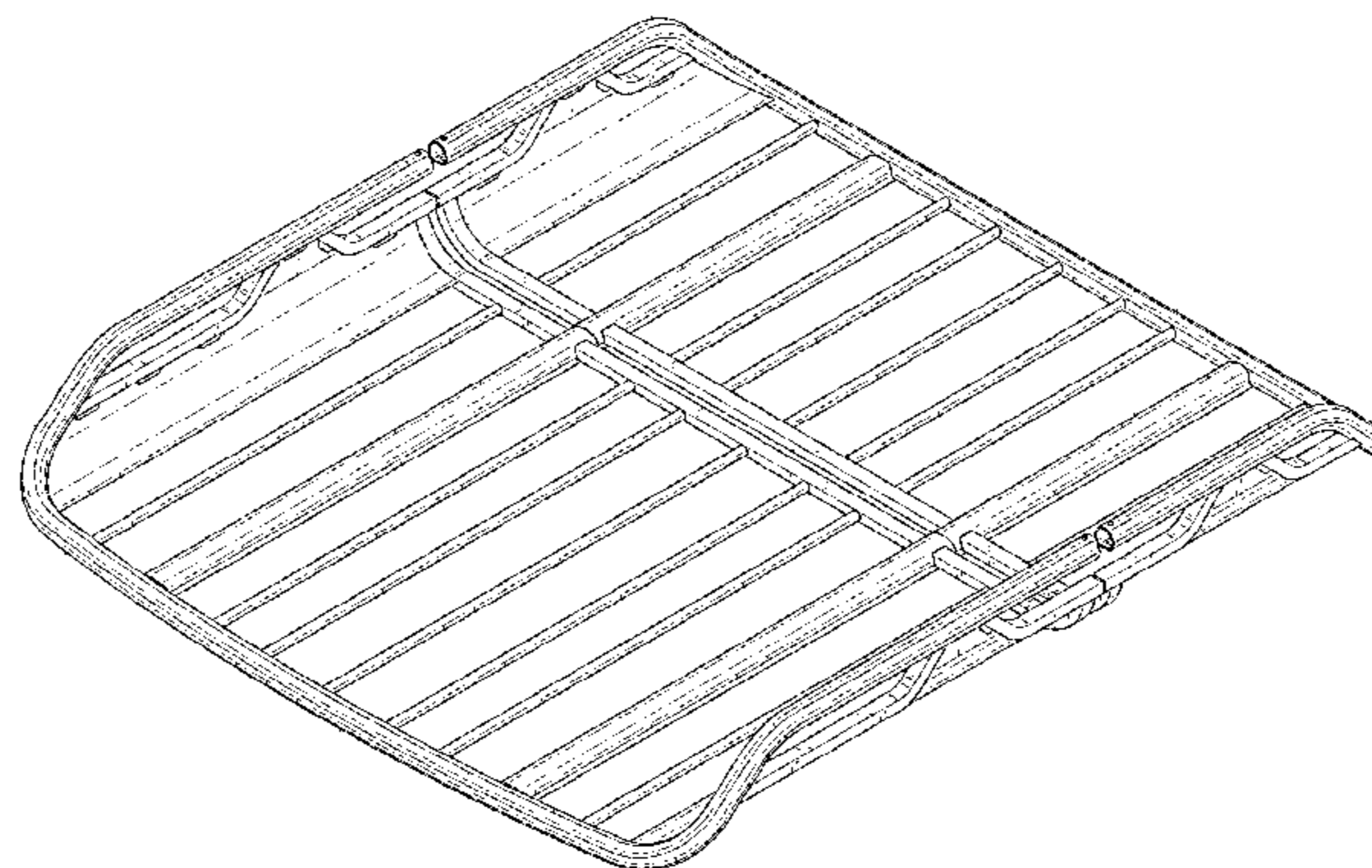
(57) **CLAIM**

The ornamental design for a cargo basket, as shown and described.

DESCRIPTION

FIG. 1 is a front, top, and left side perspective view of a cargo basket showing the new design; FIG. 2 is a front elevation thereof; FIG. 3 is a rear elevation thereof; FIG. 4 is a right side elevation thereof; FIG. 5 is a left side elevation thereof; FIG. 6 is a top plan view thereof; FIG. 7 is a bottom plan view thereof; FIG. 8 is a front, top, and left side perspective view thereof, where the cargo basket is in a condition of use with a faring, crossbars, and clamps; and, FIG. 9 is a rear, bottom, and right side perspective view thereof.
The dashed lines and structure they depict is shown for the purpose of illustrating environmental subject matter and form no part of the claimed design.

1 Claim, 7 Drawing Sheets



(56)

References Cited

U.S. PATENT DOCUMENTS

D406,557 S * 3/1999 Bentley D12/412
 D422,553 S 4/2000 VonDuyke
 6,425,508 B1 * 7/2002 Cole B60R 9/045
 224/320
 D470,451 S * 2/2003 Bushart D12/412
 D477,562 S * 7/2003 McCoy B60R 9/045
 D12/406
 D537,404 S * 2/2007 Bauer D12/412
 D649,507 S * 11/2011 Loynds D12/407
 8,297,570 B2 10/2012 Noyes
 8,496,146 B2 * 7/2013 Badillo B60R 9/045
 224/321
 D707,447 S 6/2014 Eriksson
 9,283,884 B2 3/2016 Sautter et al.
 D755,686 S 5/2016 Clark
 9,505,353 B2 11/2016 Bogoslofski et al.
 D793,947 S * 8/2017 Badillo D12/412
 D813,785 S * 3/2018 Badillo D12/412
 D817,854 S * 5/2018 Motherwell B60R 9/045
 D12/407
 10,005,402 B2 * 6/2018 Huang B60R 9/045
 2008/0272164 A1 * 11/2008 Wang B60R 9/045
 224/330
 2011/0240698 A1 * 10/2011 Lovett B62J 9/003
 224/413
 2014/0131405 A1 * 5/2014 Noonan B60R 9/12
 224/319
 2016/0075288 A1 * 3/2016 Peck B60R 9/10
 224/324

* cited by examiner

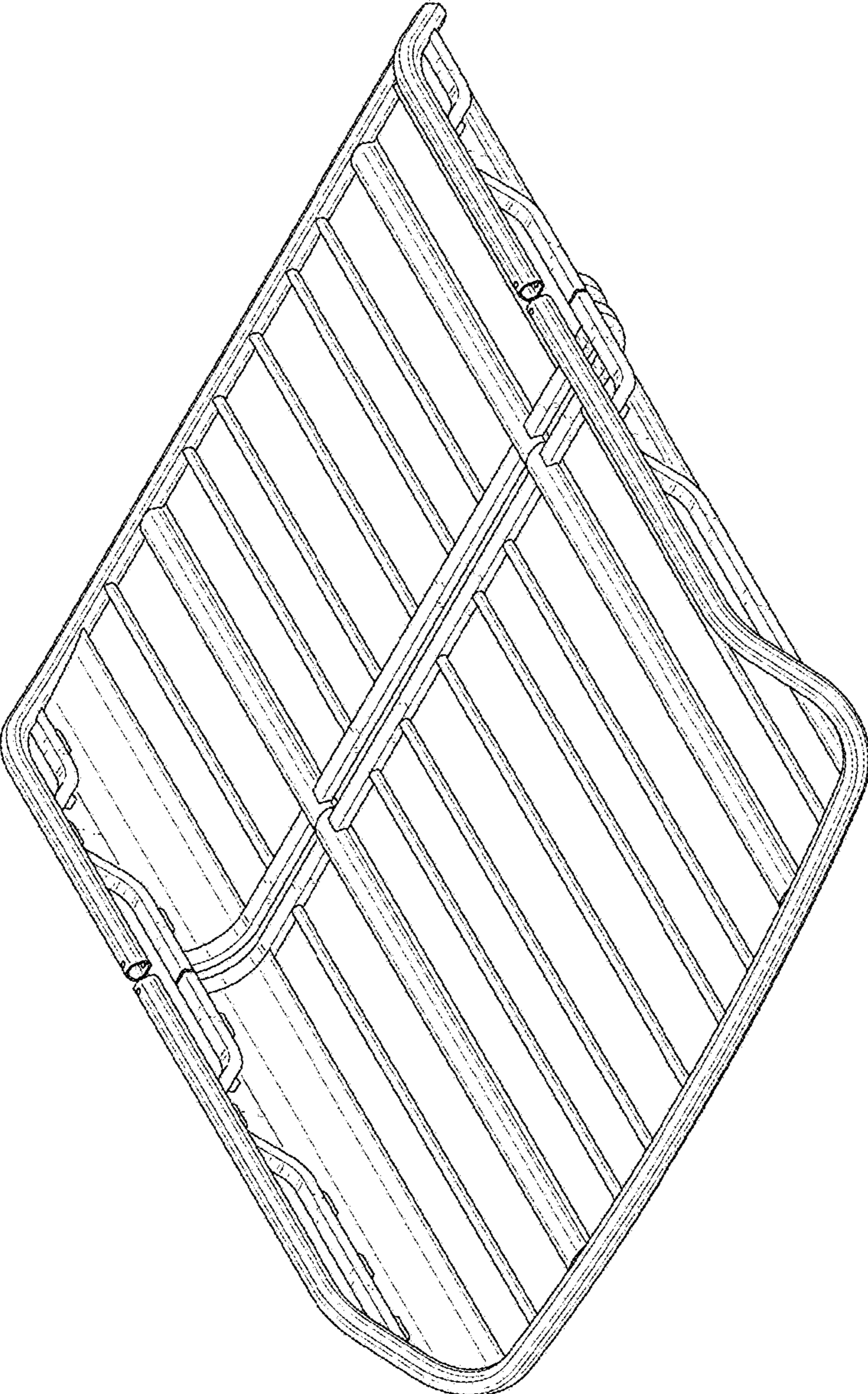


FIG. 1



FIG. 2



FIG. 3

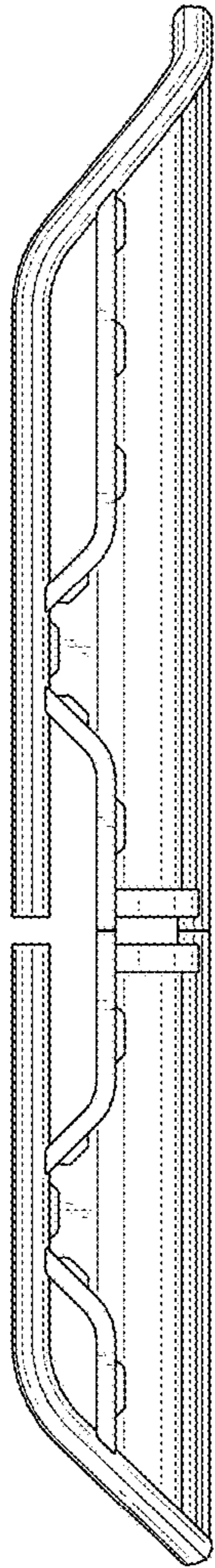


FIG. 4

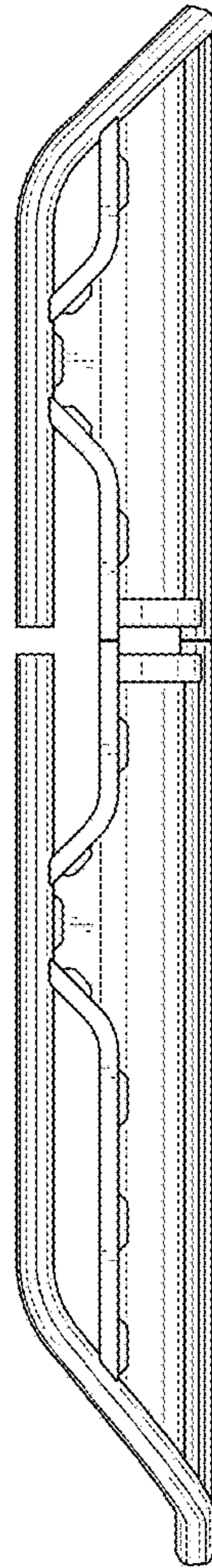


FIG. 5

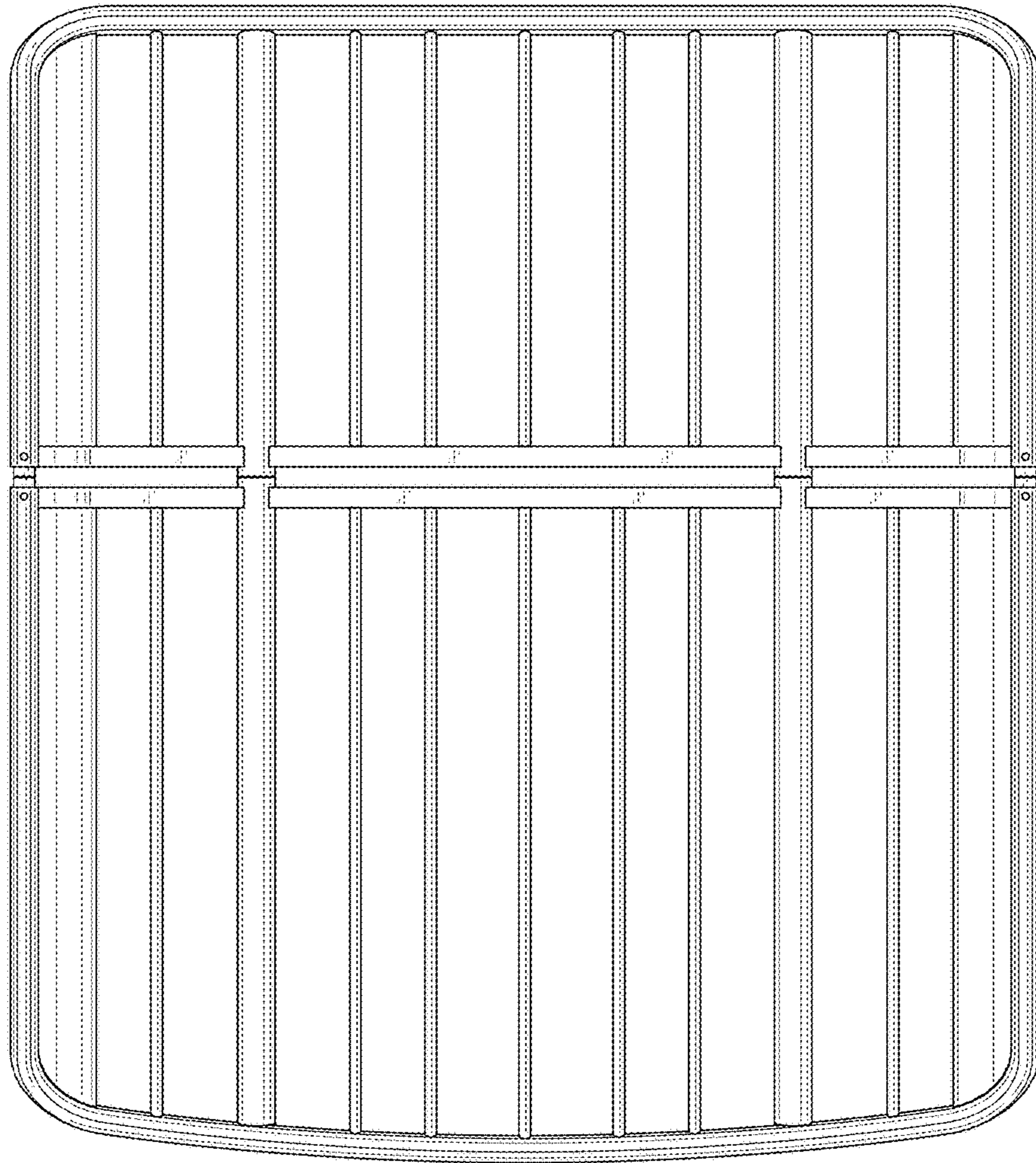


FIG. 6

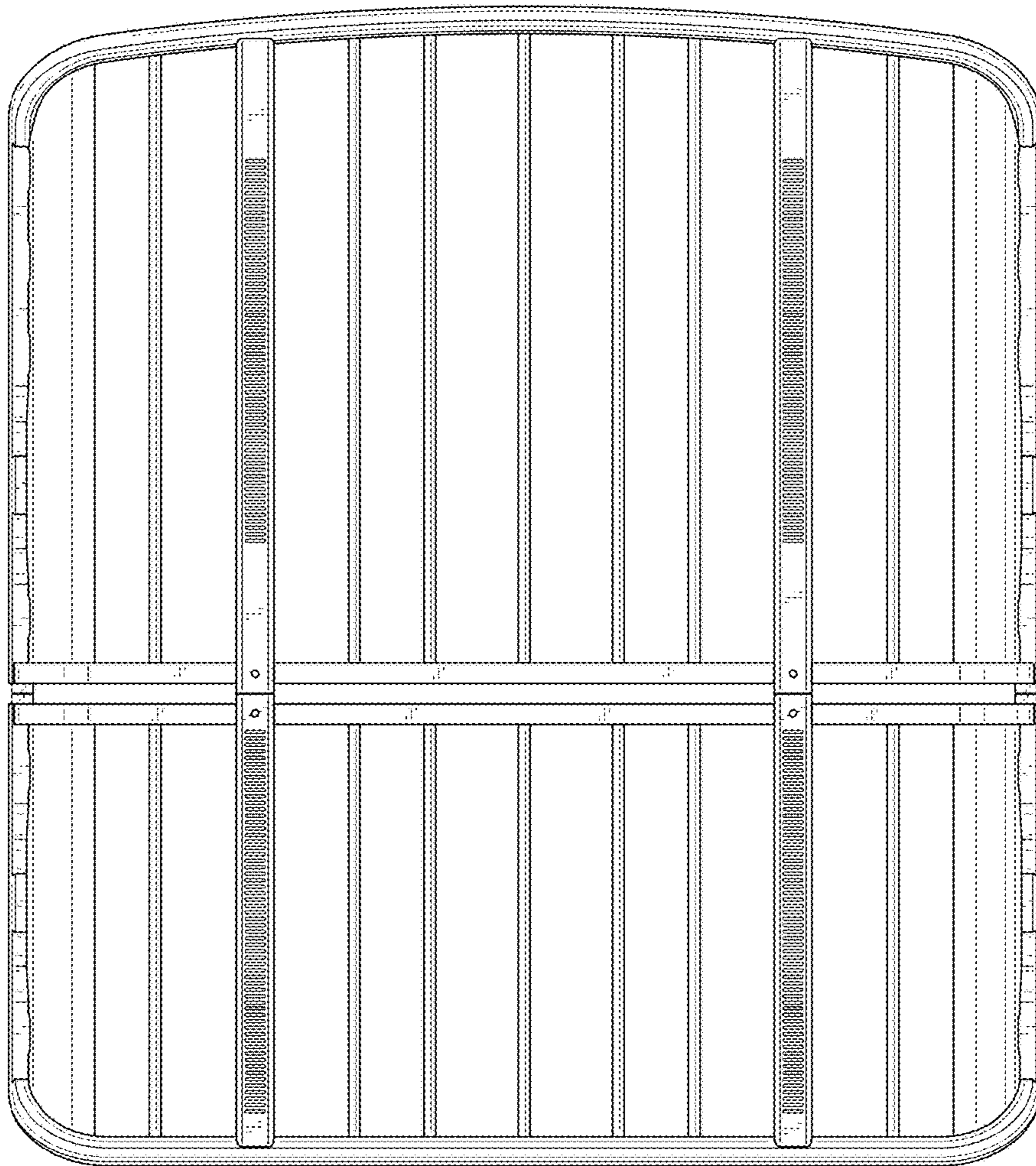


FIG. 7

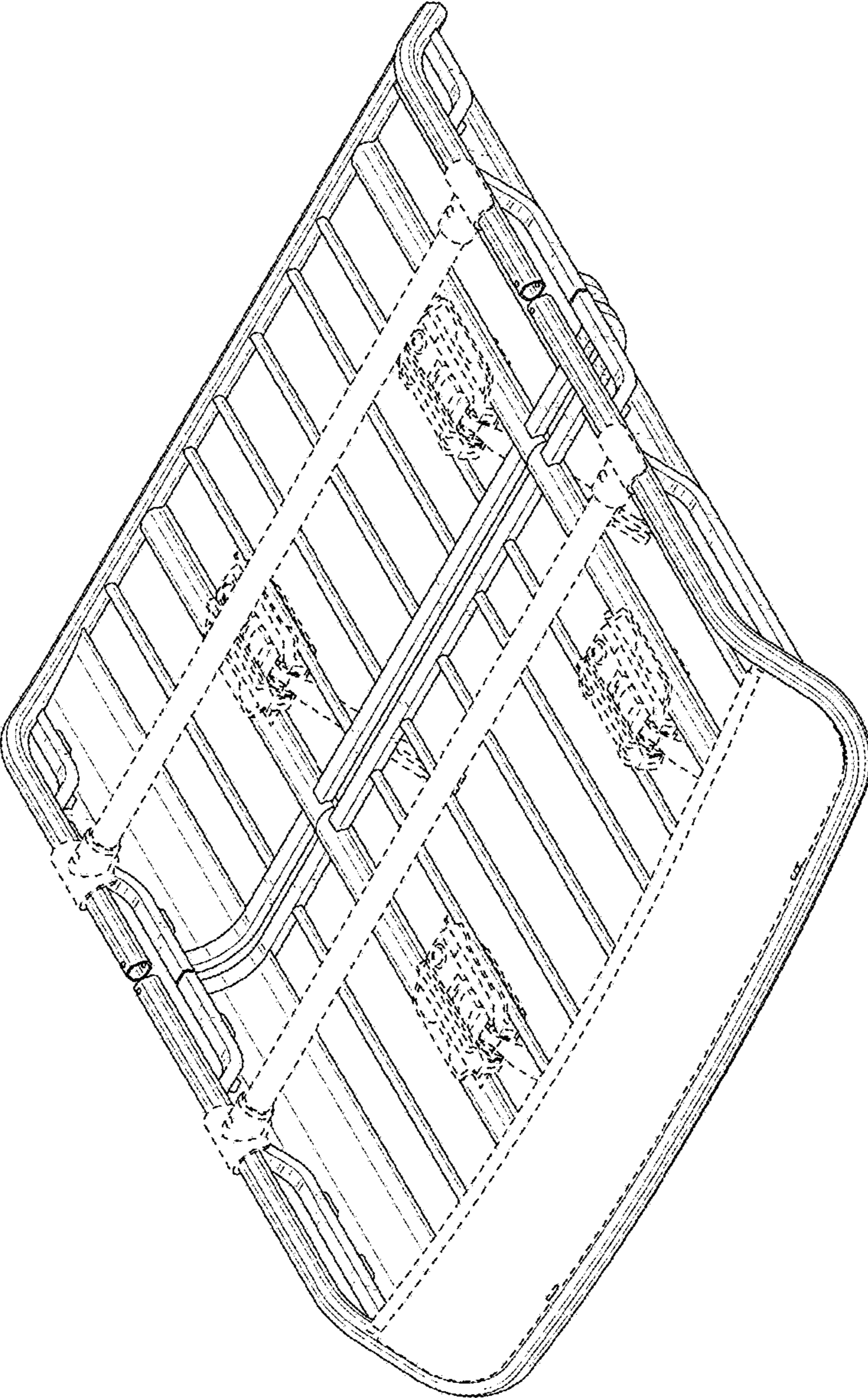


FIG. 8

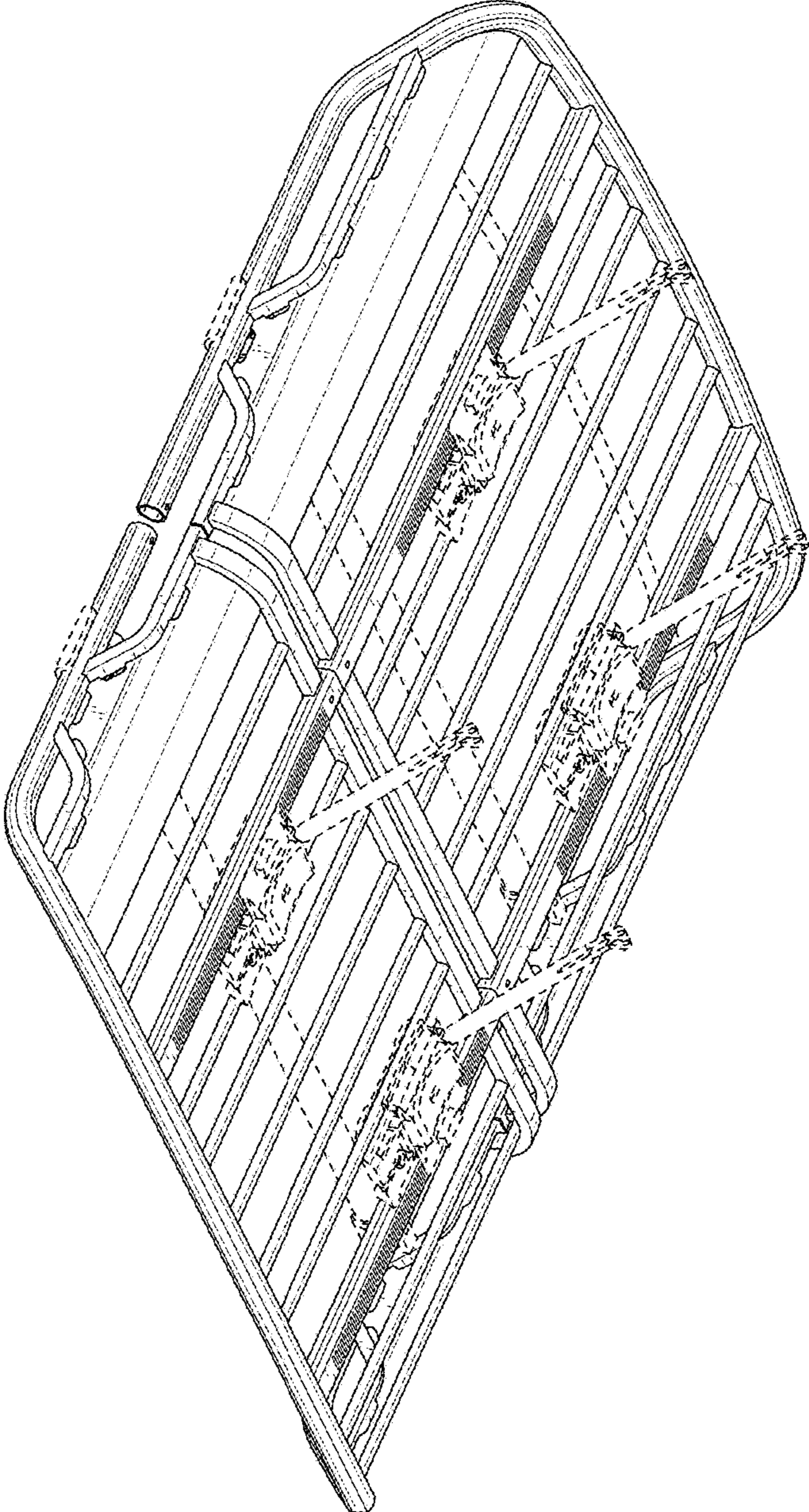


FIG. 9