



US00D845872S

(12) **United States Design Patent**
Monroe

(10) **Patent No.:** **US D845,872 S**

(45) **Date of Patent:** **** Apr. 16, 2019**

(54) **VEHICLE FRONTEND RACK**

(71) Applicant: **Donald Monroe**, Muskegon, MI (US)

(72) Inventor: **Donald Monroe**, Muskegon, MI (US)

(**) Term: **15 Years**

(21) Appl. No.: **29/592,281**

(22) Filed: **Jan. 28, 2017**

(51) **LOC (11) Cl.** **12-16**

(52) **U.S. Cl.**
USPC **D12/406**

(58) **Field of Classification Search**
USPC D12/401–406; D6/610–611
CPC B60R 9/00; B60R 9/02; B60R 9/04; B60R
9/08; B60R 9/042; B60R 9/0423; B60R
9/0426; B60R 9/045; B60R 9/048; B60R
9/0485; B60R 9/05; B60R 9/052; B60R
9/055; B60R 9/058; B60R 9/06; B60R
9/065; B60R 9/10; B60R 9/12

See application file for complete search history.

(56) **References Cited**

U.S. PATENT DOCUMENTS

D808,887 S * 1/2018 Puchkoff D12/406
D808,888 S * 1/2018 Puchkoff D12/406

D808,889 S * 1/2018 Puchkoff D12/406
2017/0065050 A1* 3/2017 Yuzhan A45D 20/12
2018/0000234 A1* 1/2018 White B25H 3/00

* cited by examiner

Primary Examiner — Katrina A Betton

(74) *Attorney, Agent, or Firm* — James E. Shultz, Jr.

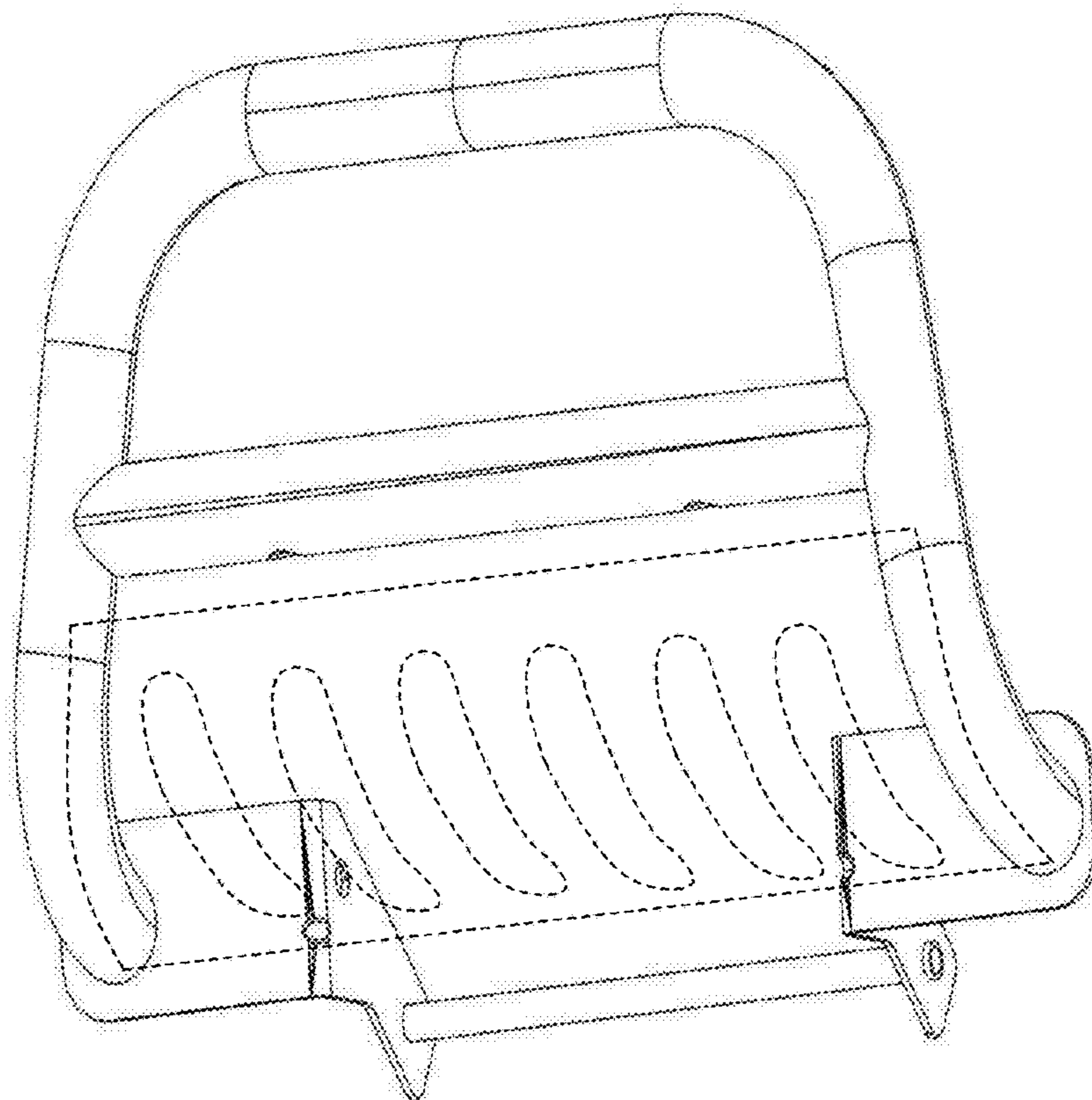
(57) **CLAIM**

The ornamental design for a vehicle frontend rack, as shown and described.

DESCRIPTION

FIG. 1 is a front perspective view of a vehicle frontend rack showing my new design;
FIG. 2 is a front perspective view thereof;
FIG. 3 is a rear perspective view thereof;
FIG. 4 is a rear perspective view thereof;
FIG. 5 is a front plan view thereof;
FIG. 6 is a front view thereof;
FIG. 7 is rear plan view thereof;
FIG. 8 is a top plan view thereof;
FIG. 9 is a bottom plan view thereof;
FIG. 10 is a first-side plan view thereof; and,
FIG. 11 is a second-side plan view thereof.
The portions of the figures shown in dashed-lines do not form a part of the claimed invention.

1 Claim, 11 Drawing Sheets



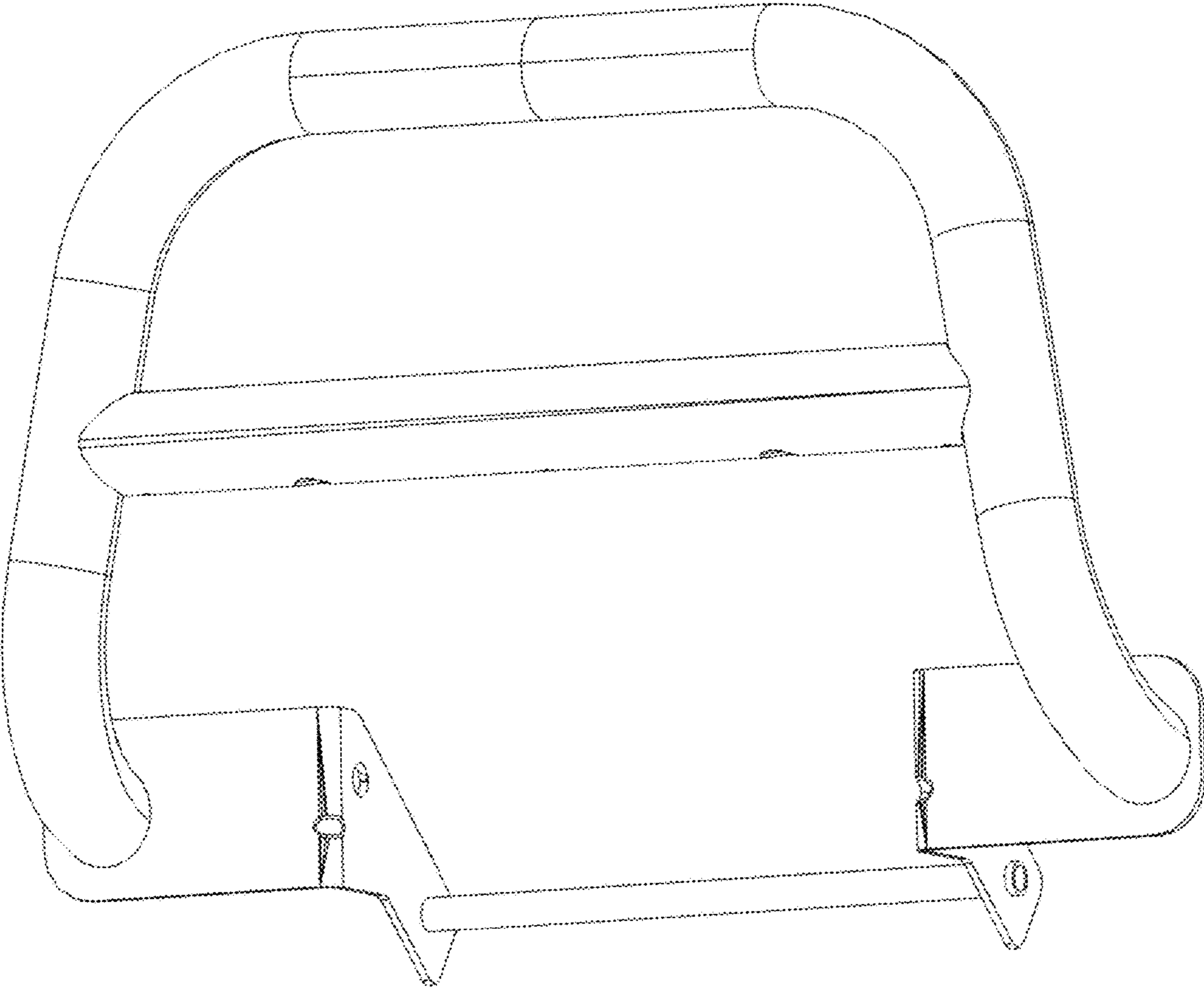


Fig. 1

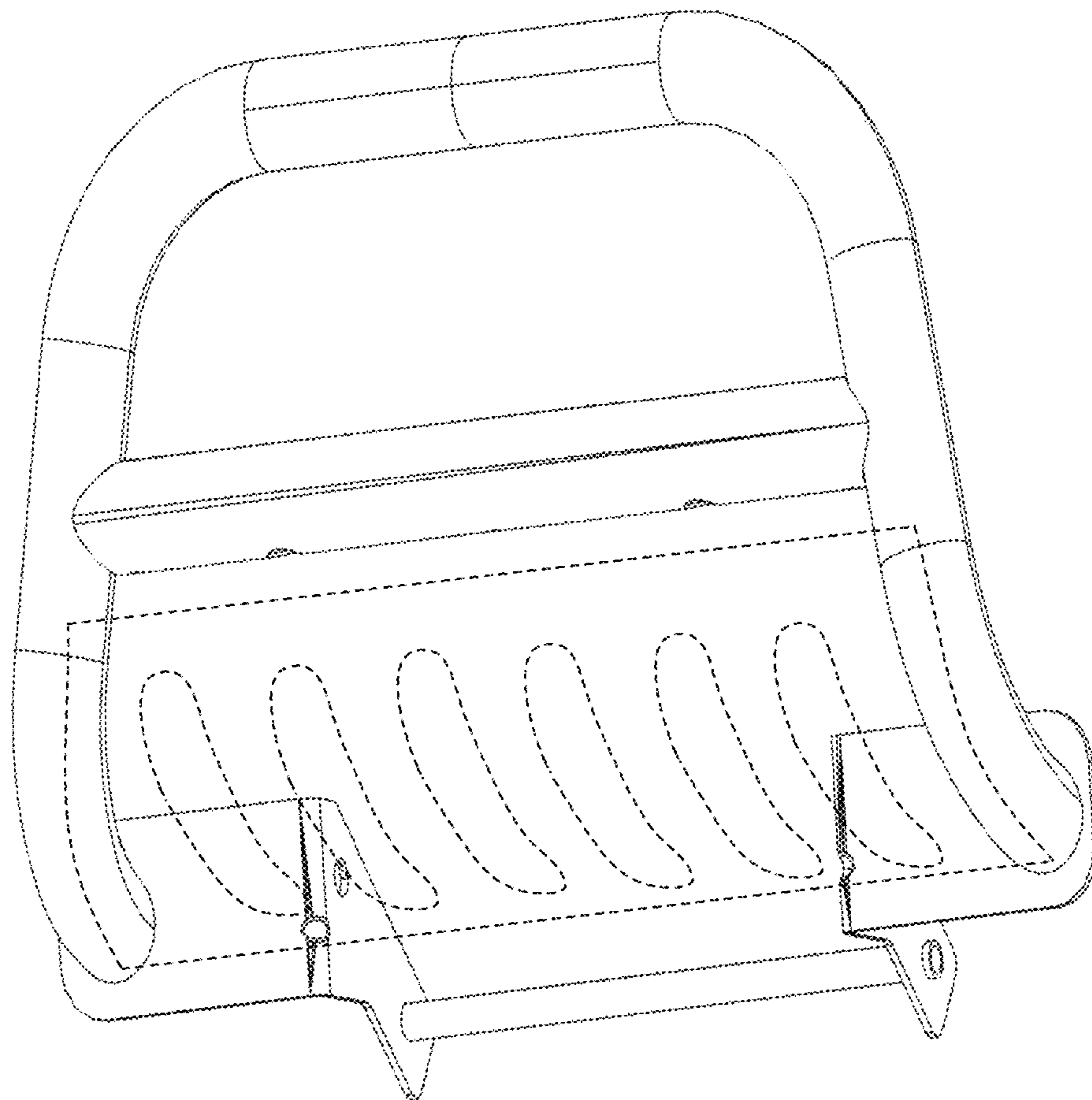


Fig. 2

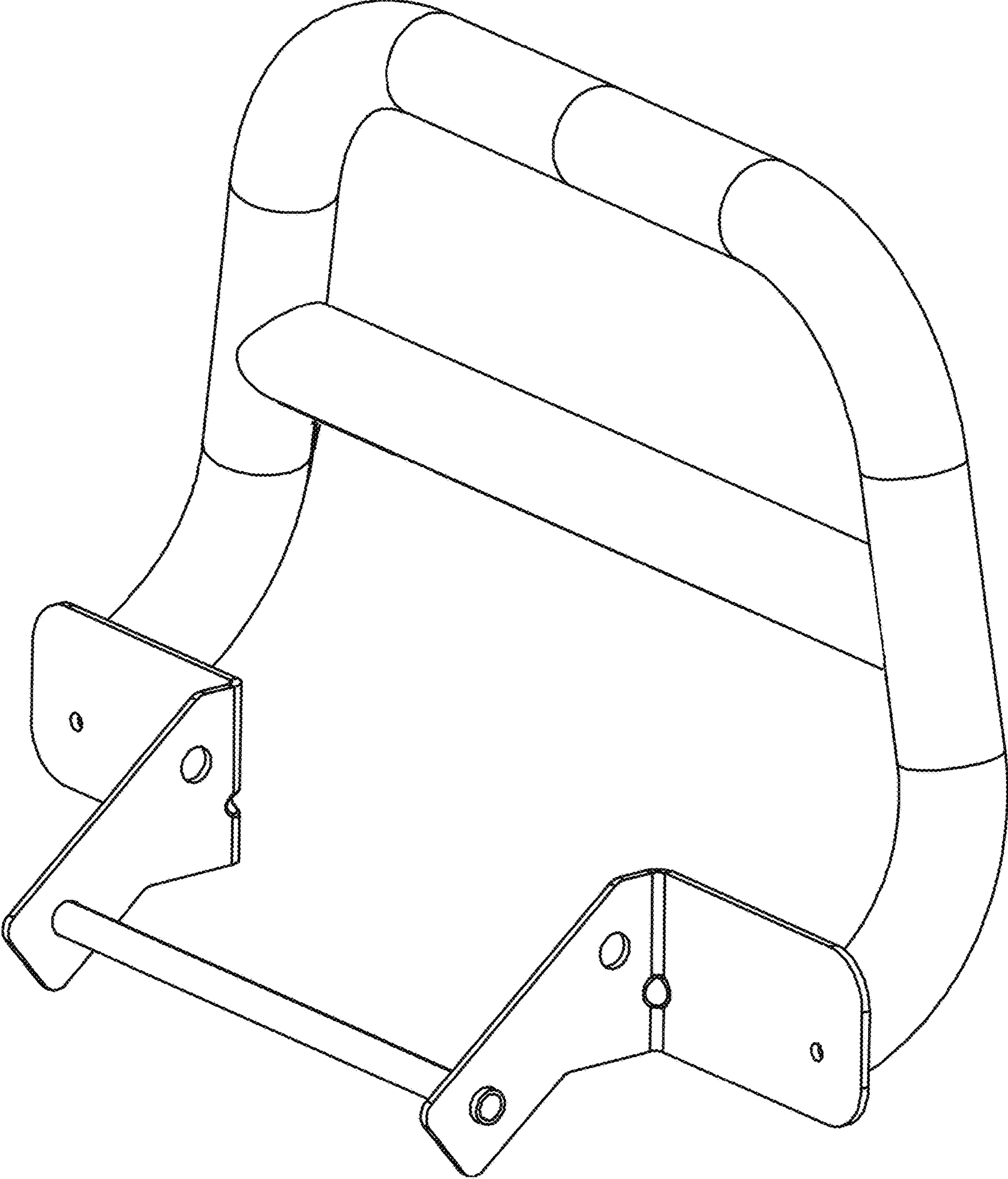


Fig. 3

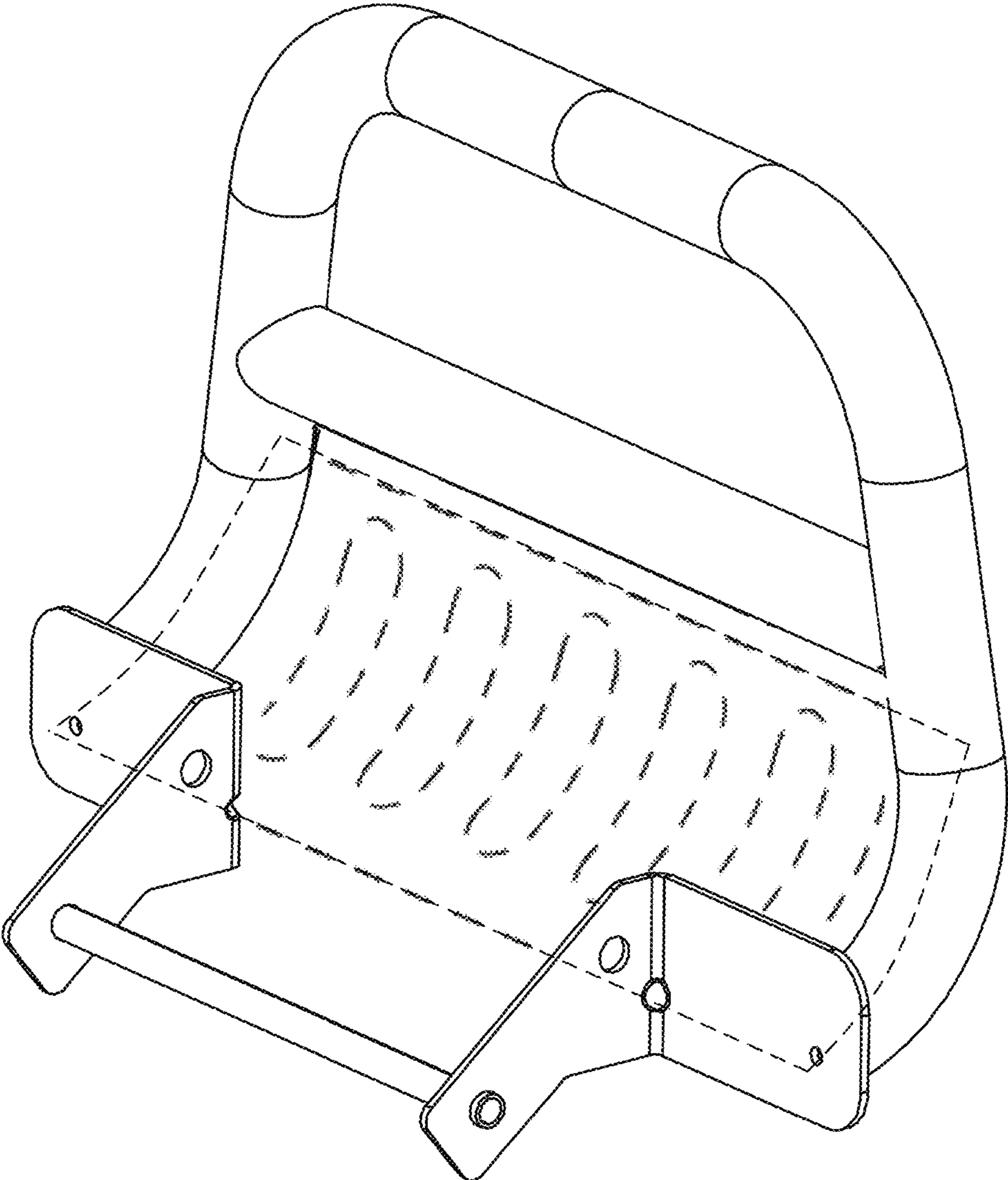


Fig. 4

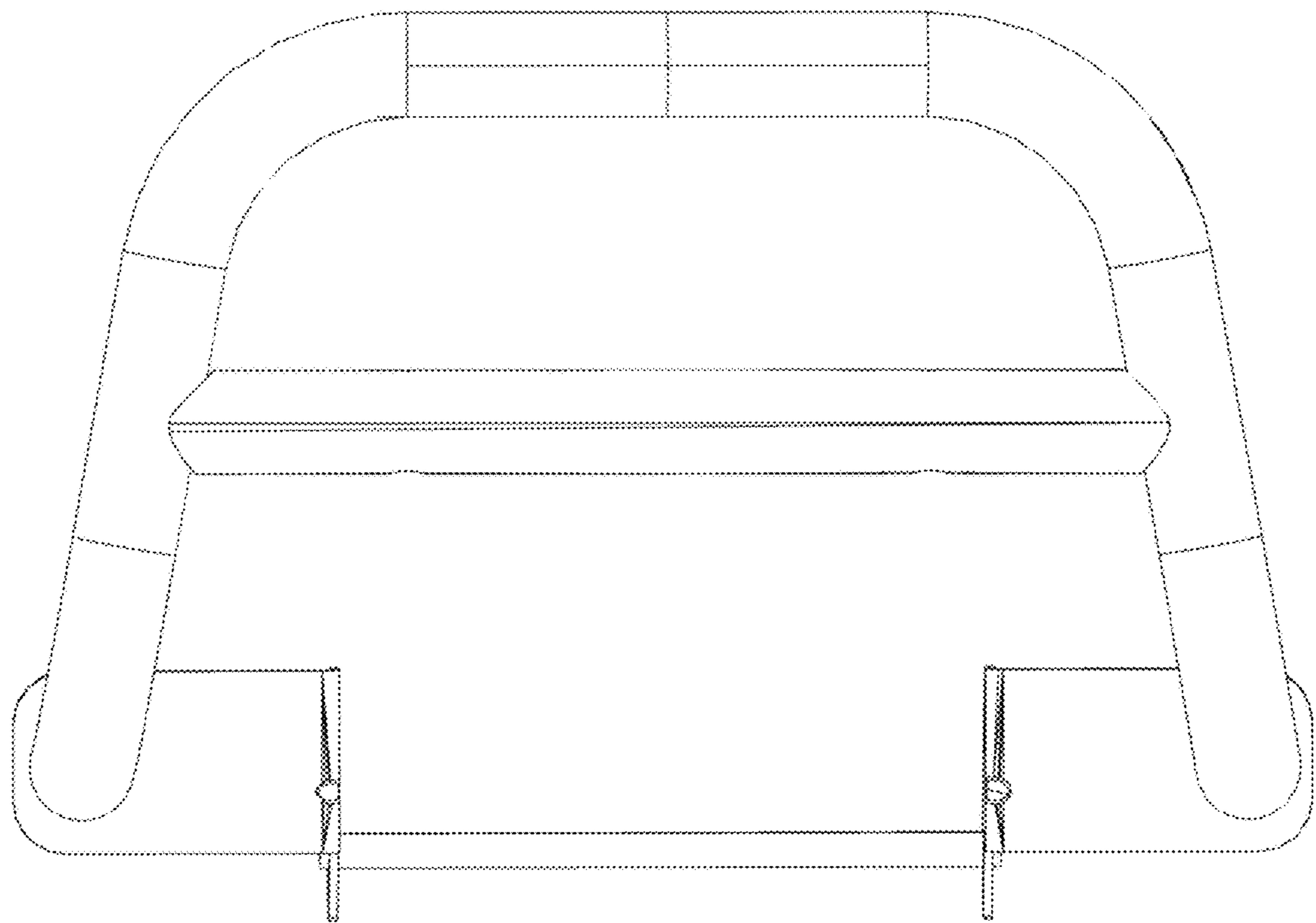


Fig. 5

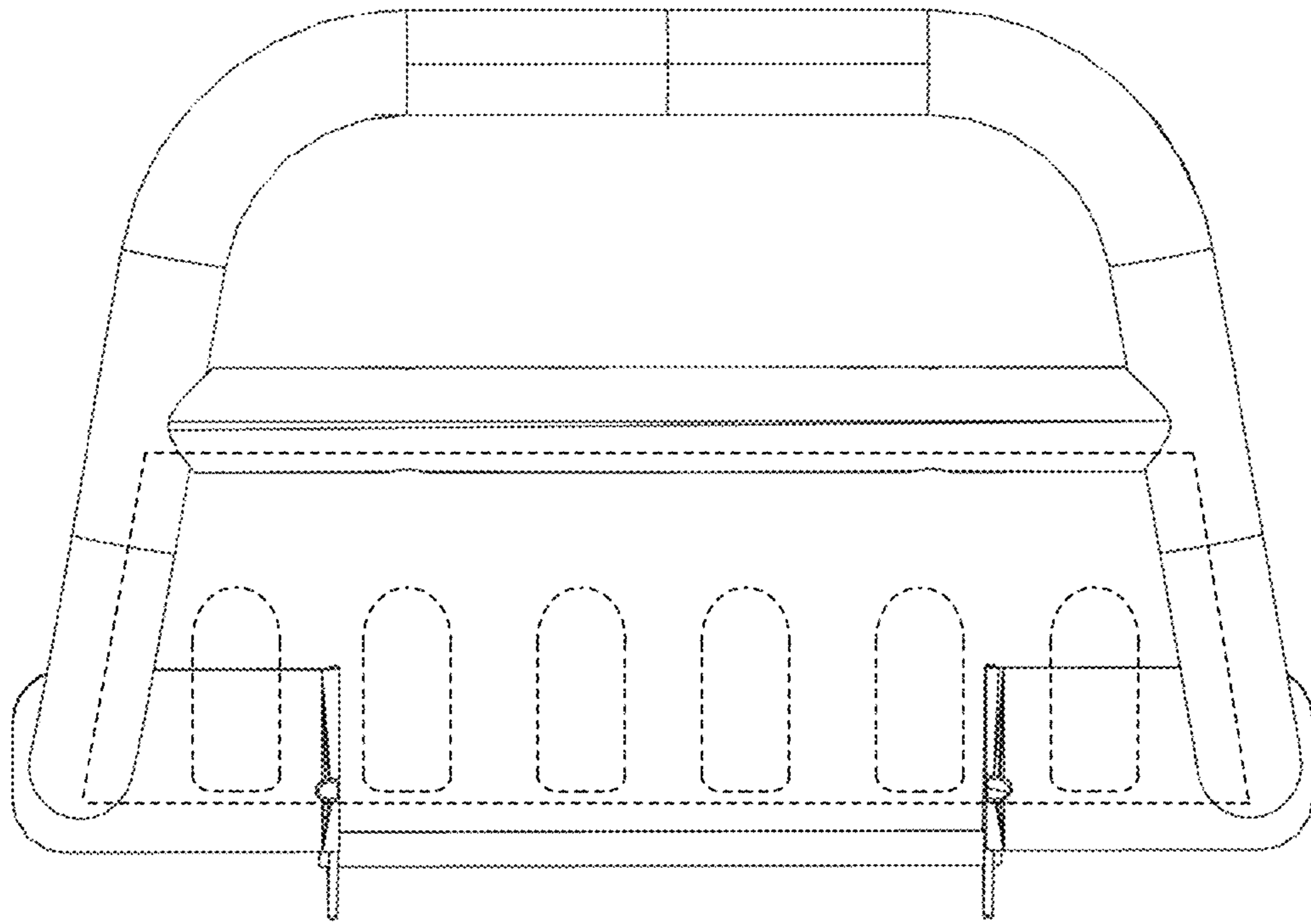


Fig. 6

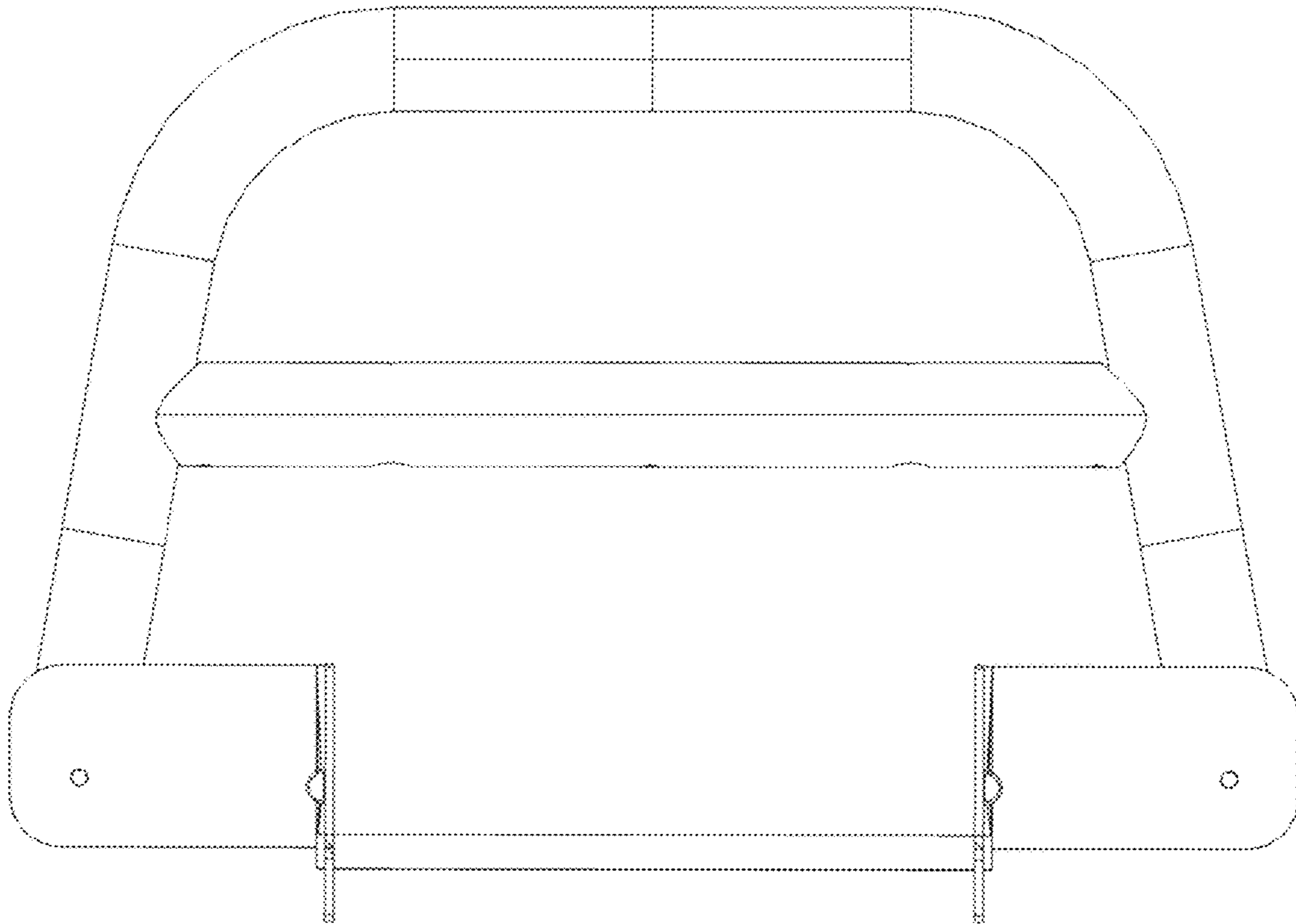


Fig. 7

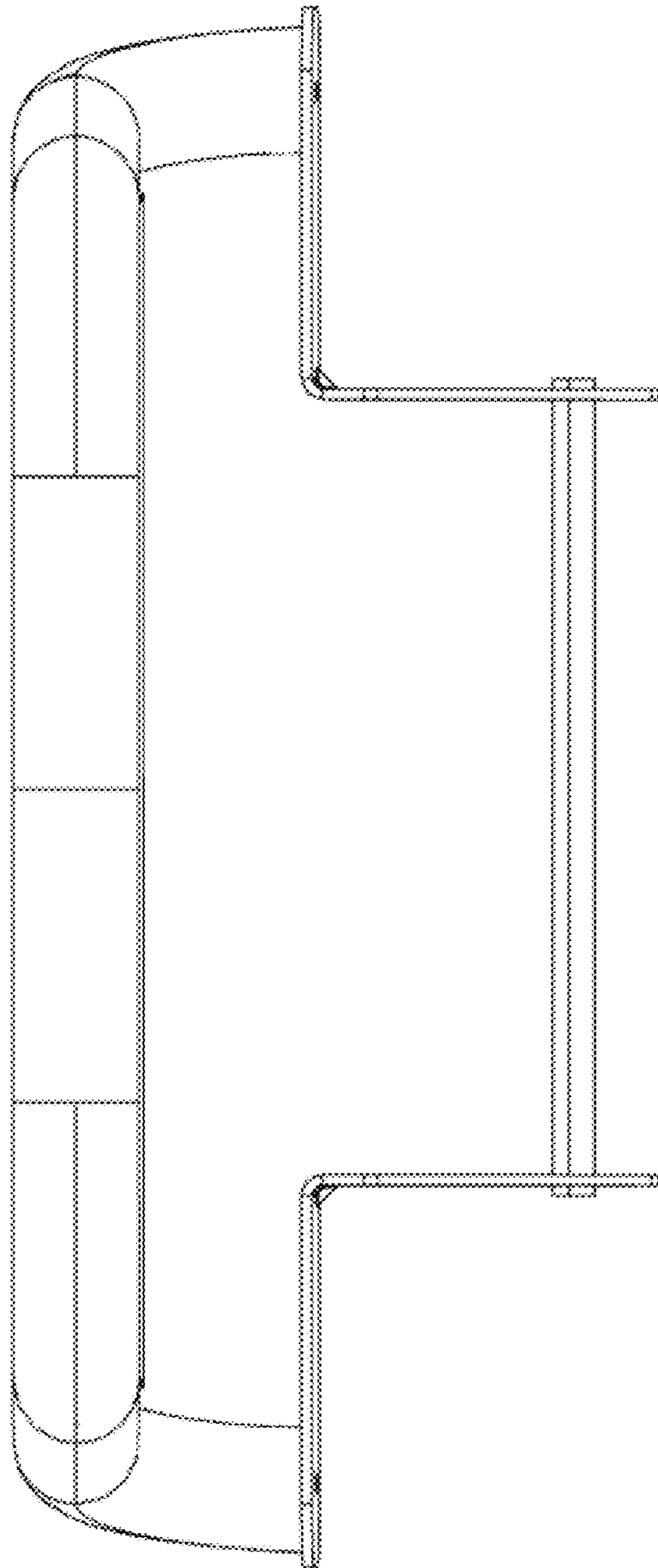


Fig. 8

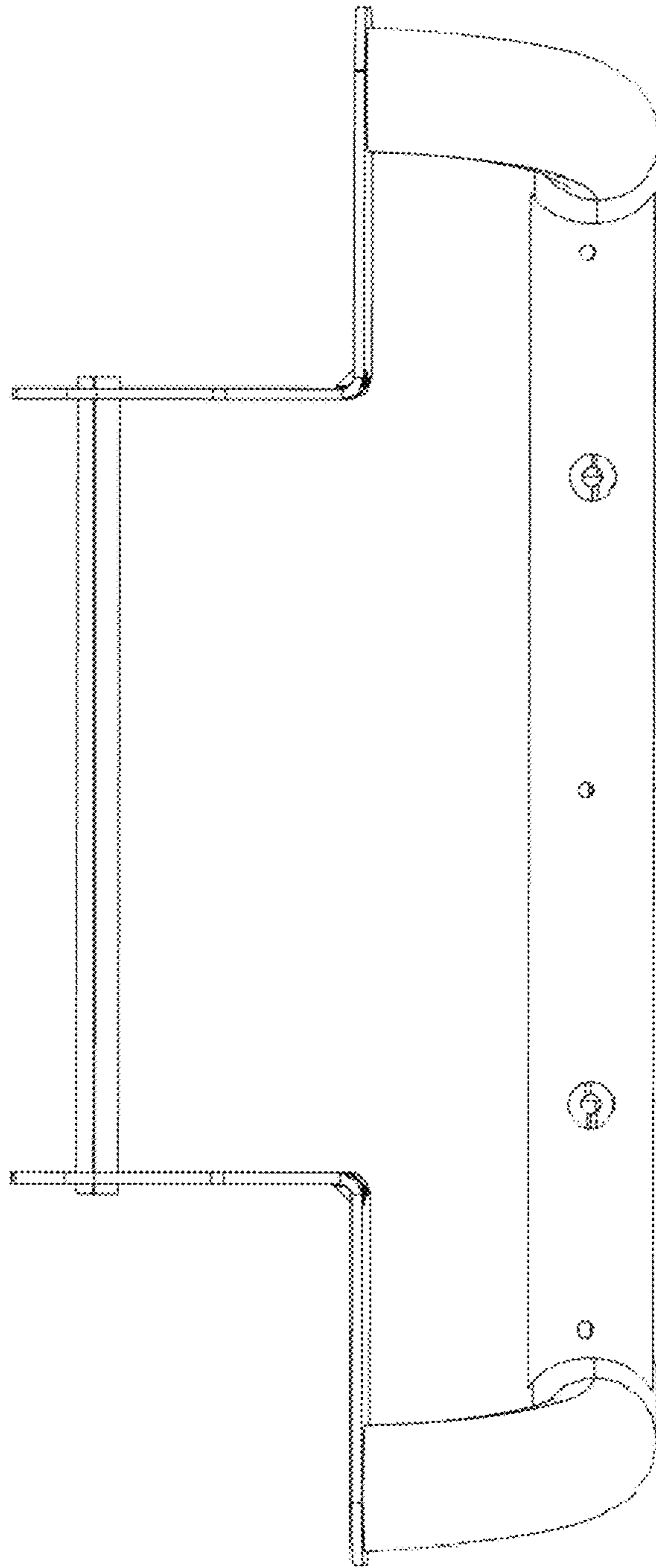


Fig. 9

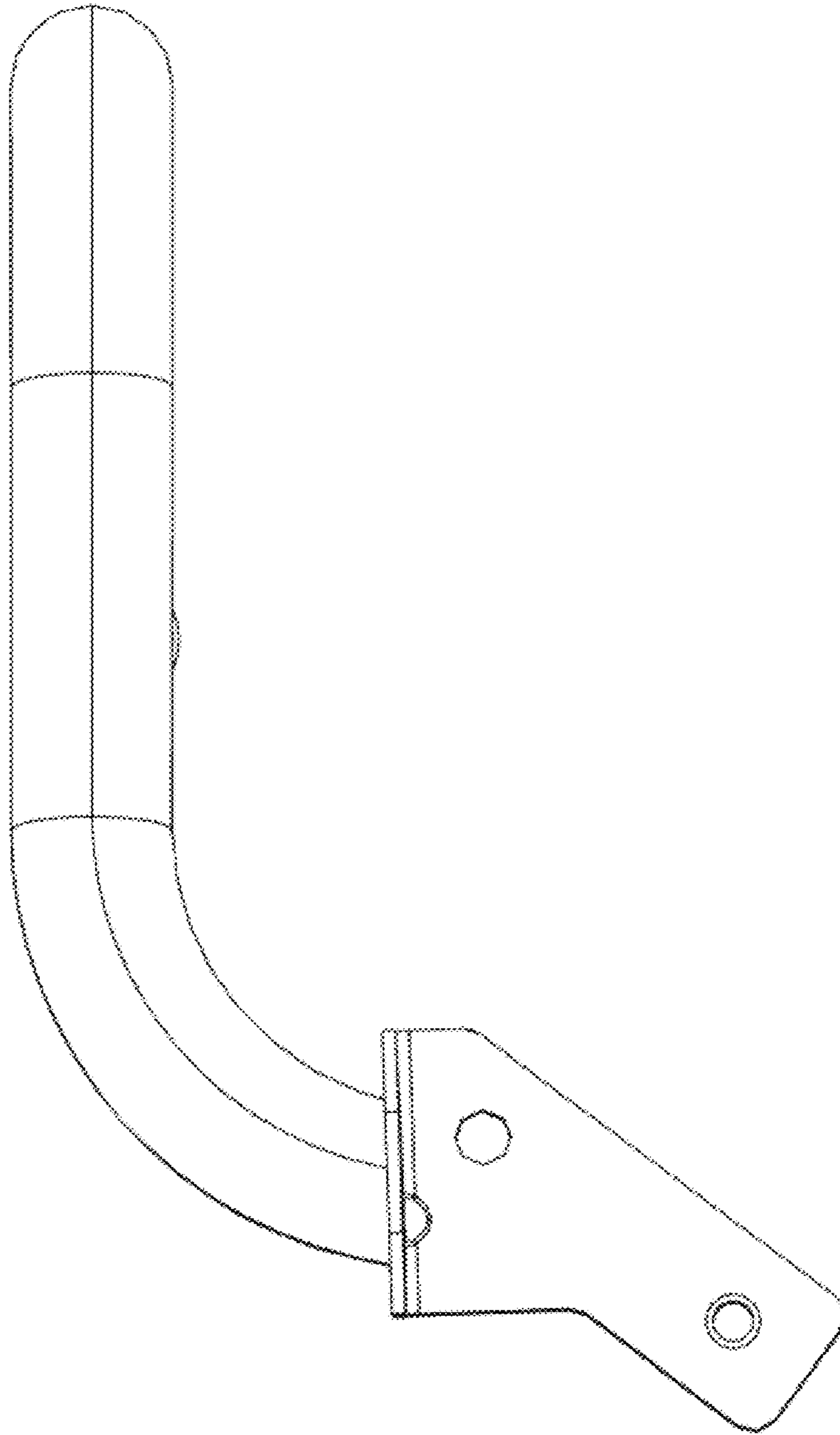


Fig. 10

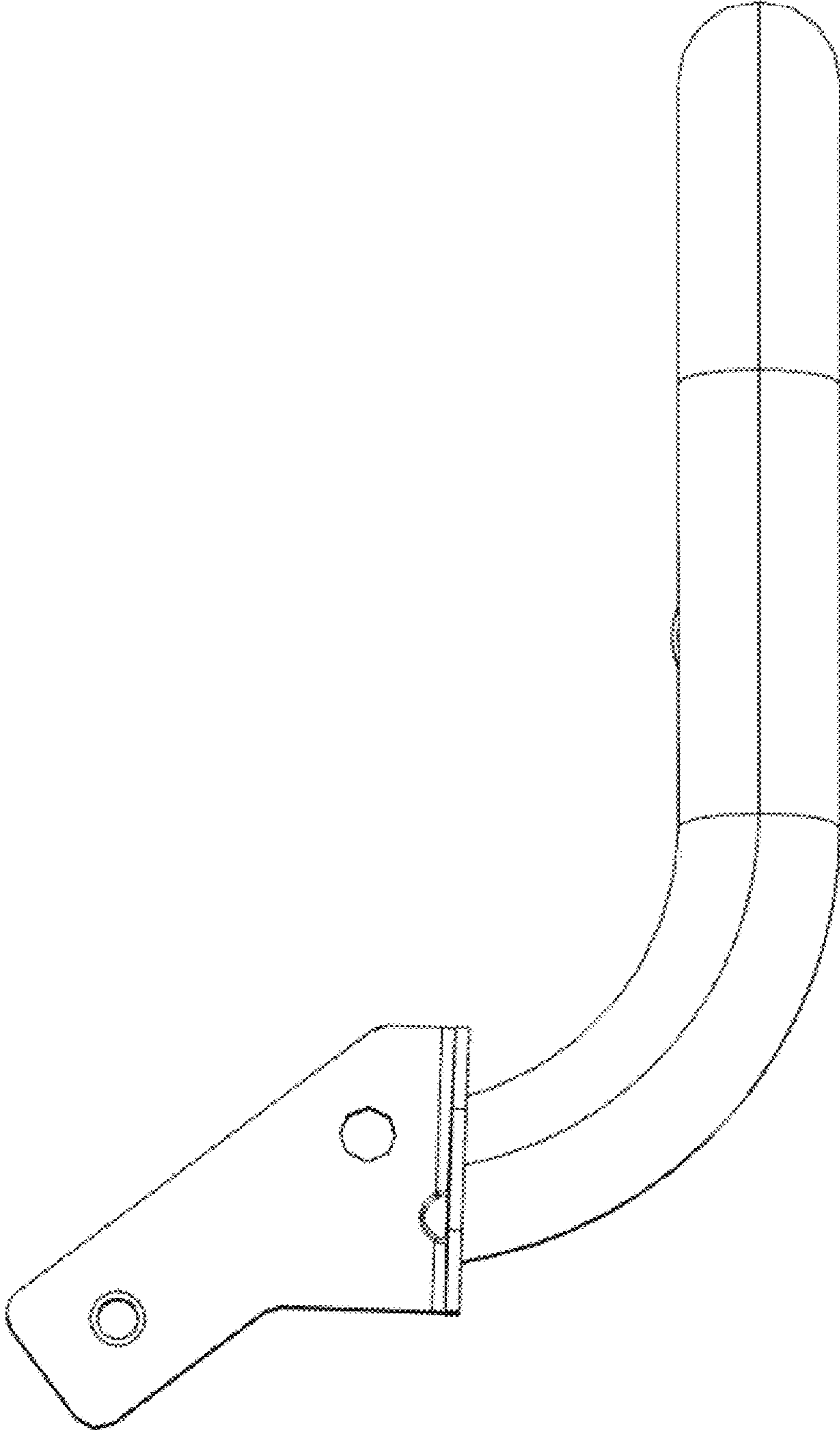


Fig. 11